



US00D442883S

(12) **United States Design Patent**  
**Finch**

(10) **Patent No.:** **US D442,883 S**

(45) **Date of Patent:** **\*\* May 29, 2001**

(54) **SUPPORT STAND FOR CHRISTMAS TREES AND OTHER TREES AND PLANTS**

5,137,246	8/1992	Idso .....	248/523
5,369,910	12/1994	Copenhaver .....	47/40.5
5,938,168	8/1999	Adams .....	248/523
6,042,077	3/2000	Shoemith .....	248/523
6,142,441	* 11/2000	Vannucci .....	47/40.5 X

(75) **Inventor:** **David S. Finch**, Thomasville, NC (US)

(73) **Assignee:** **Finch Fabricating & Plating, Inc.**,  
Thomasville, NC (US)

\* cited by examiner

(\*\*) **Term:** **14 Years**

*Primary Examiner*—Dominic Simone

(74) *Attorney, Agent, or Firm*—Kennedy Covington  
Lobdell & Hickman, L.L.P.

(21) **Appl. No.:** **29/130,556**

(22) **Filed:** **Oct. 4, 2000**

(57) **CLAIM**

(51) **LOC (7) Cl.** ..... **11-05**

The ornamental design for a support stand for Christmas trees and other trees and plants, as shown and described.

(52) **U.S. Cl.** ..... **D11/130.1**

(58) **Field of Search** ..... D11/130.1; 47/40.5

**DESCRIPTION**

(56) **References Cited**

FIG. 1 is a top perspective view of a support stand for Christmas trees and other trees and plants, showing my new design;

**U.S. PATENT DOCUMENTS**

D. 397,061	*	8/1998	Wright .....	D11/130.1
1,997,870		4/1935	Merrill .....	248/38
2,938,304		5/1960	Thomas et al. ....	47/57.5
3,026,075		3/1962	Phelon et al. ....	248/48
3,073,558		1/1963	de Klotz .....	248/48
3,142,464	*	7/1964	Zelenitz .....	47/40.5
4,901,971		2/1990	Connelly .....	248/523
4,967,508	*	11/1990	Reynolds .....	47/40.5
5,014,461		5/1991	vom Braucke et al. ....	47/40.5

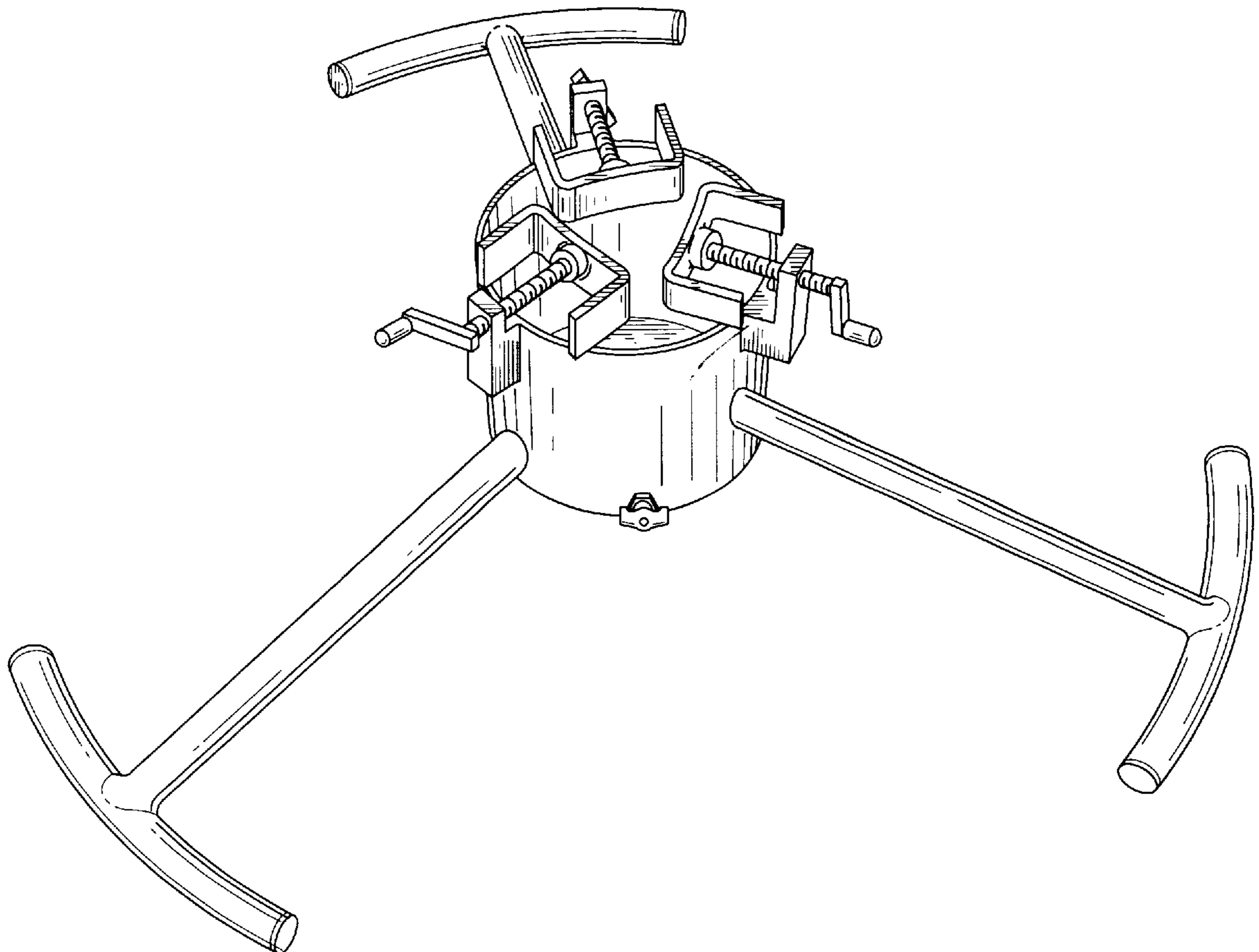
FIG. 2 is a top plan view thereof;

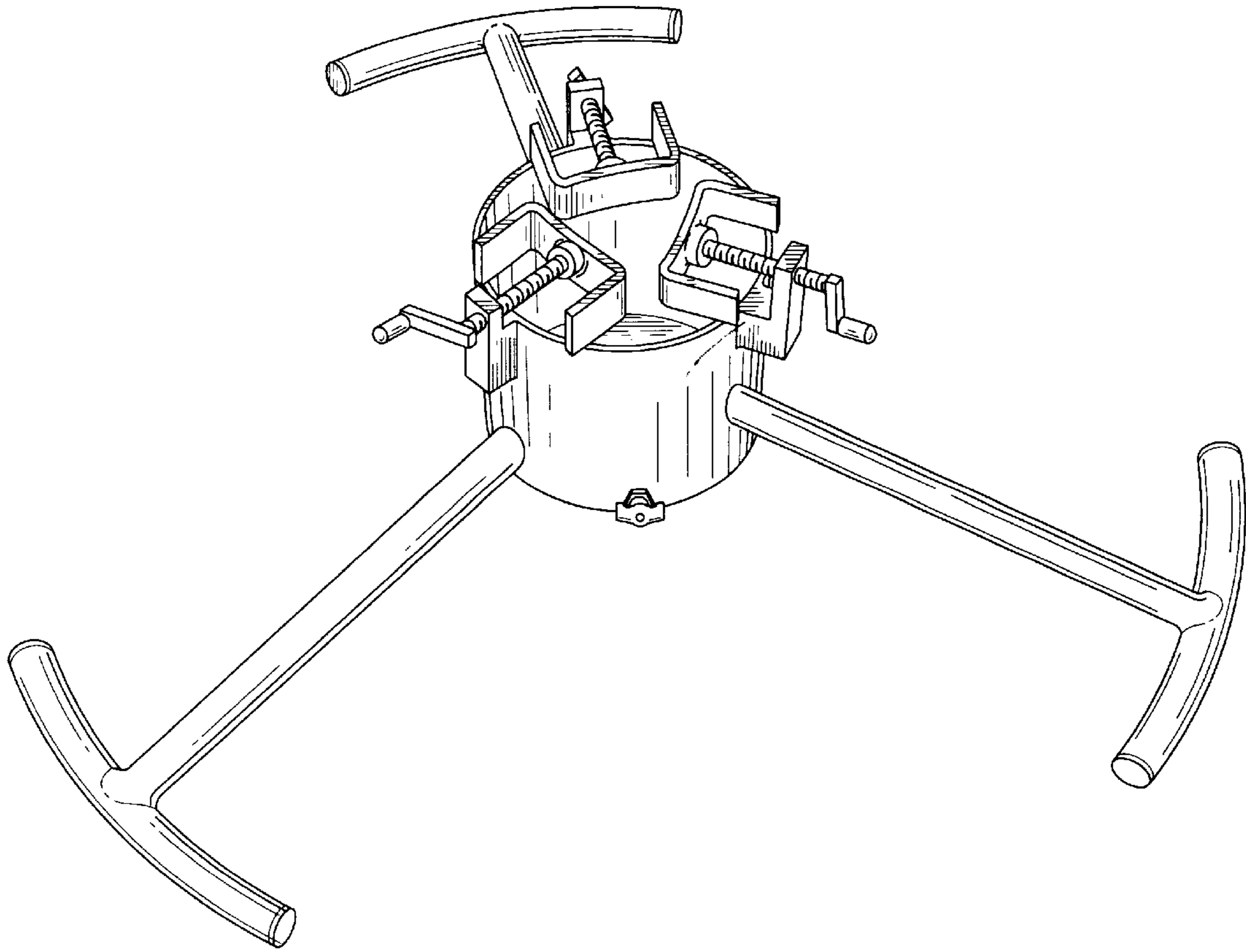
FIG. 3 is a side elevational view thereof, taken at one support leg;

FIG. 4 is another side elevational view thereof, taken between two adjacent support legs; and,

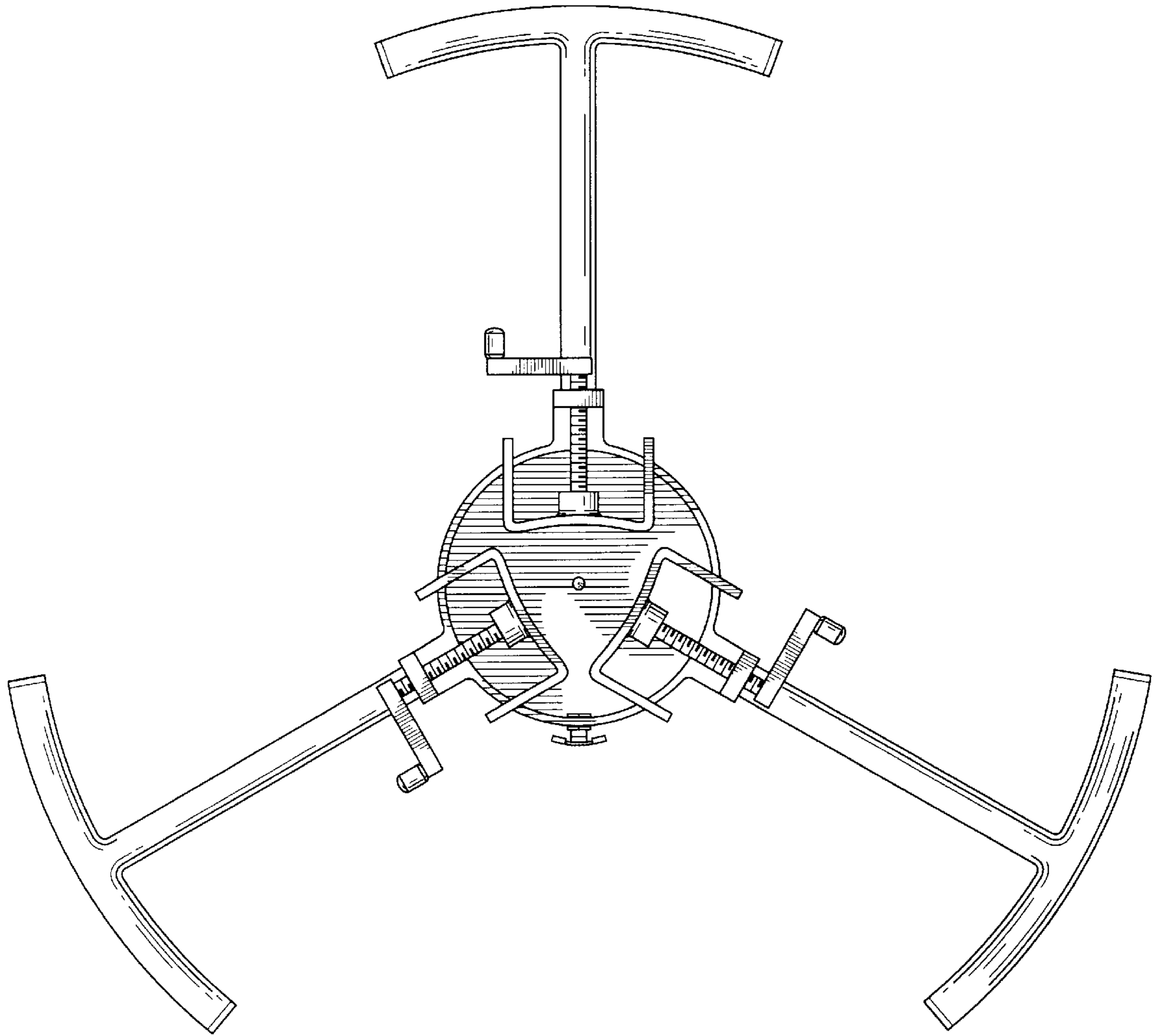
FIG. 5 is a bottom plan view thereof.

**1 Claim, 5 Drawing Sheets**

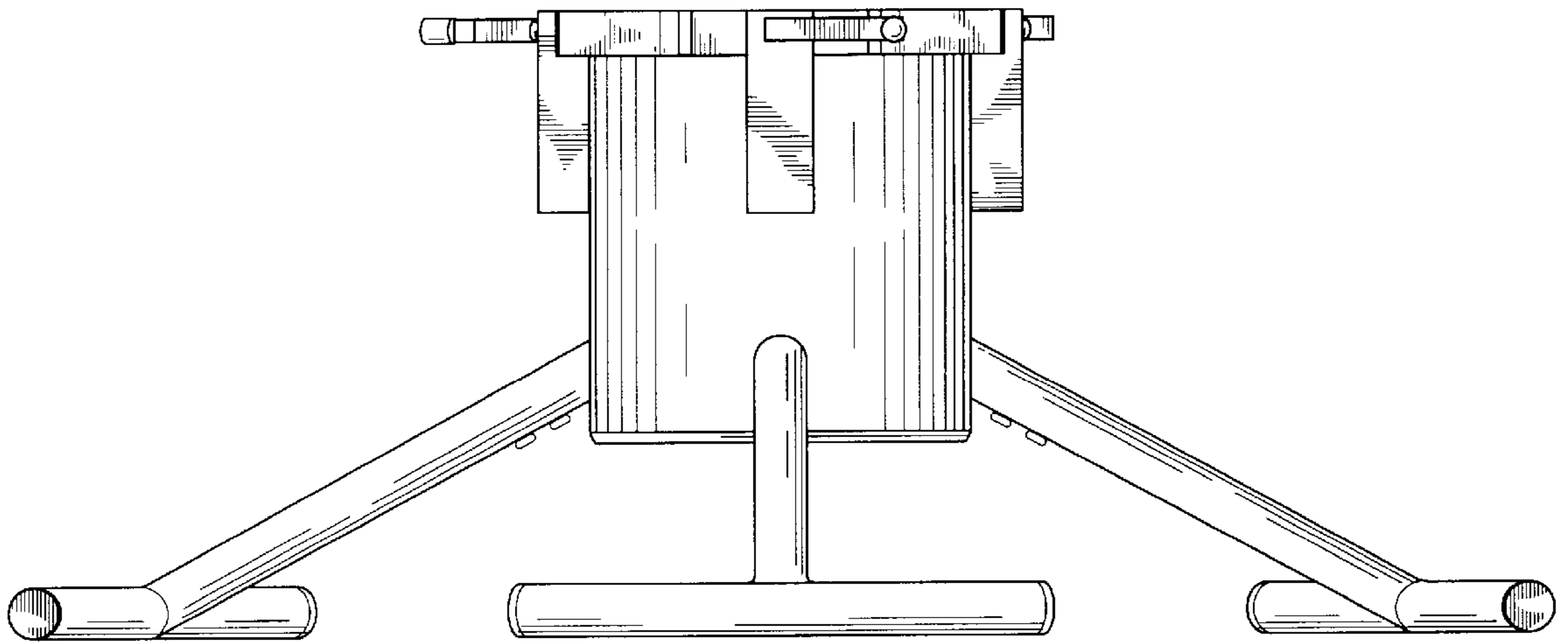




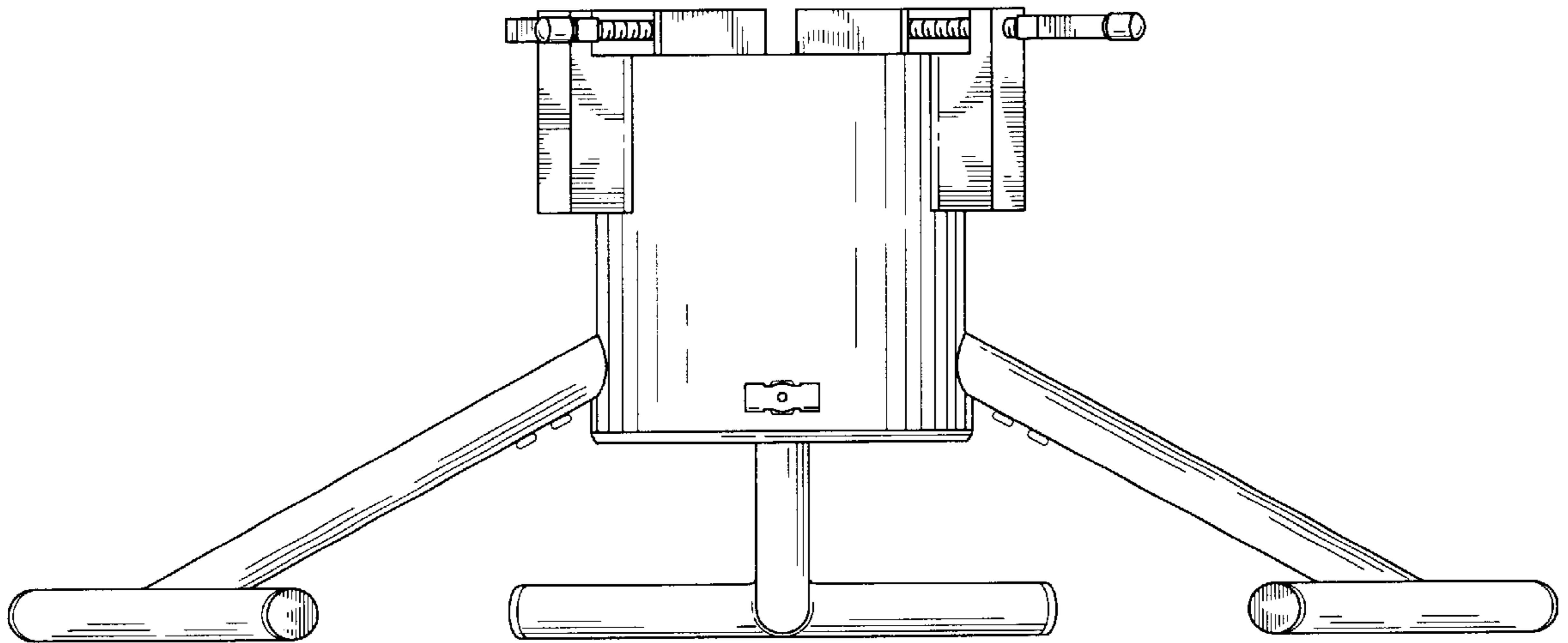
*FIG. 1.*



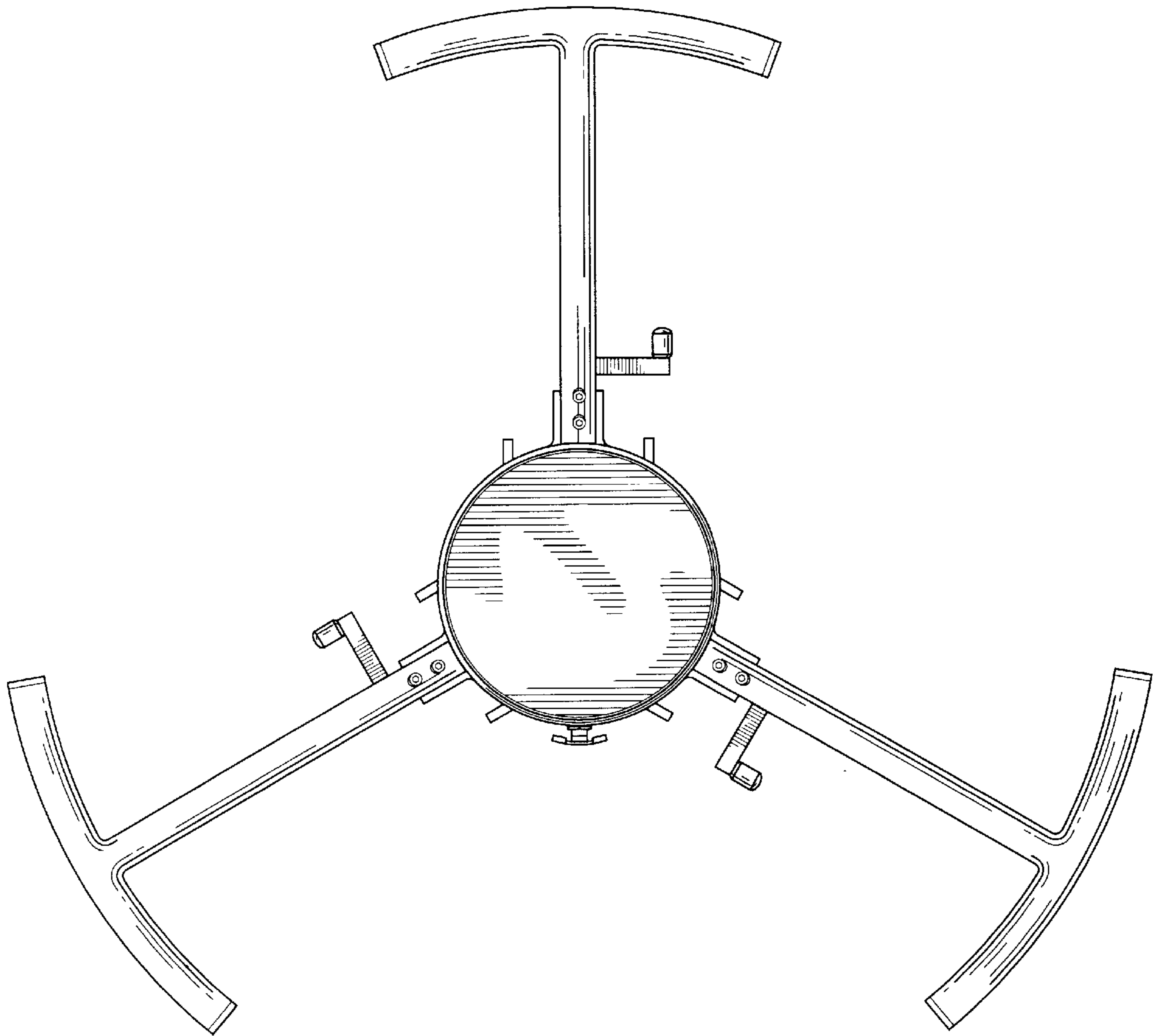
*FIG. 2.*



*FIG. 3.*



*FIG. 4.*



*FIG. 5.*