



US00D442882S

(12) **United States Design Patent**  
**Lai**

(10) **Patent No.:** **US D442,882 S**

(45) **Date of Patent:** **\*\* May 29, 2001**

(54) **JEWELRY SETTING**

6,003,335 12/1999 Gurevich et al. .  
6,026,660 2/2000 Lai .

(75) Inventor: **Danny S. Lai**, New York, NY (US)

\* cited by examiner

(73) Assignee: **Gramercy Jewelry Manufacturing Corp.**, New York, NY (US)

*Primary Examiner*—Ralf Seifert  
(74) *Attorney, Agent, or Firm*—BakerBotts L.L.P.

(\*\*) Term: **14 Years**

(57) **CLAIM**

(21) Appl. No.: **29/127,729**

The ornamental design of a jewelry setting, as shown and described.

(22) Filed: **Aug. 11, 2000**

**DESCRIPTION**

(51) **LOC (7) Cl.** ..... **11-01**

(52) **U.S. Cl.** ..... **D11/92**

(58) **Field of Search** ..... D11/1, 2, 7, 8,  
D11/26, 27, 30, 33, 36, 48, 79, 89-92;  
63/26, 27, 28, 29.1

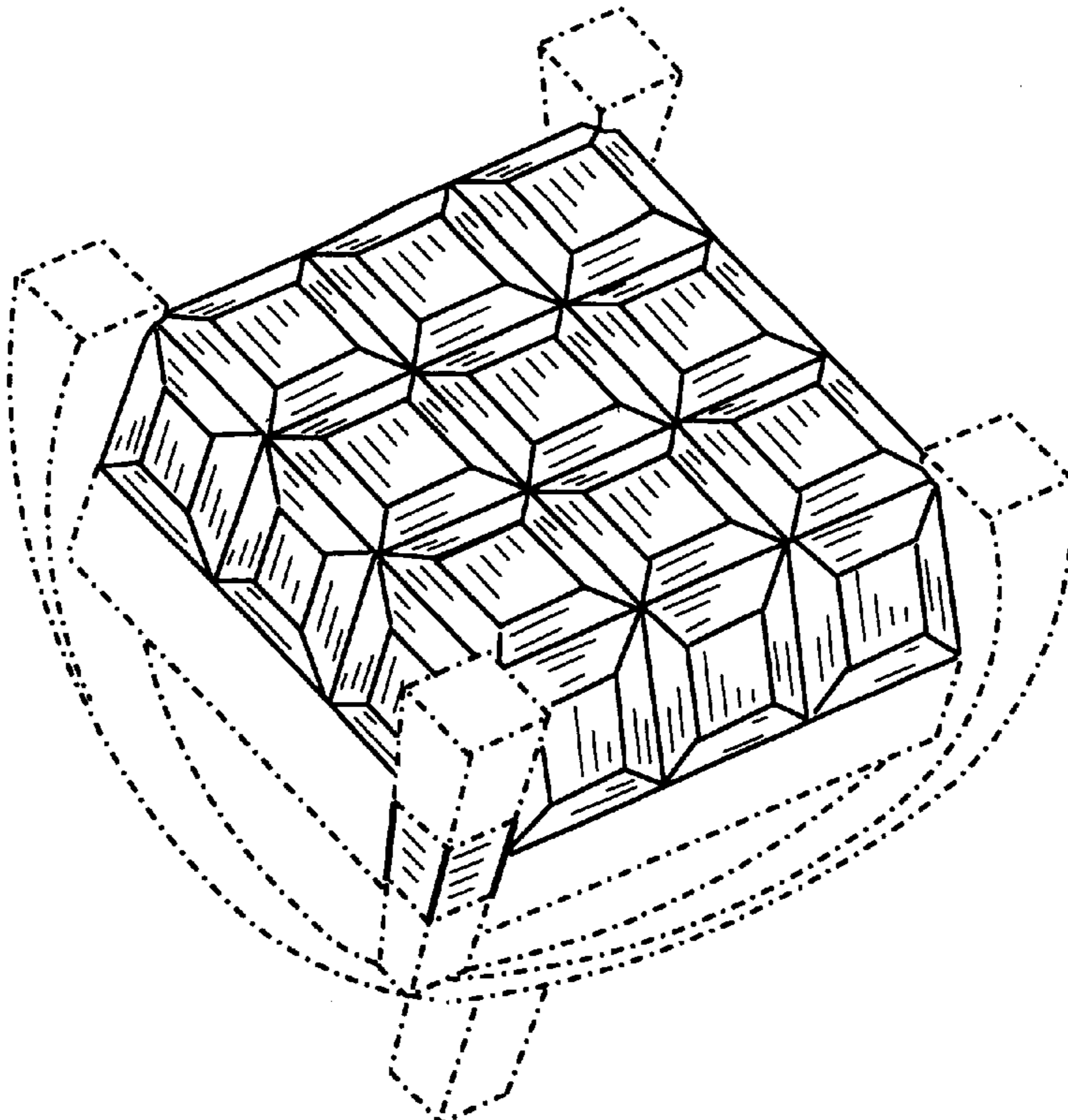
FIG. 1 is a perspective view of a first embodiment of a jewelry setting;  
FIG. 2 is a top view of the jewelry setting of FIG. 1;  
FIG. 3 is a perspective view of a second embodiment of the jewelry setting;  
FIG. 4 is a top view of the jewelry setting of FIG. 3;  
FIG. 5 is a perspective view of a third embodiment of the jewelry setting;  
FIG. 6 is a top view of the jewelry setting of FIG. 5;  
FIG. 7 is a perspective view of a fourth embodiment of the jewelry setting;  
FIG. 8 is a top view of the jewelry setting of FIG. 7;  
FIG. 9 is a perspective view of a fifth embodiment of the jewelry setting; and,  
FIG. 10 is a top view of the jewelry setting of FIG. 9.  
The broken lines are provided for illustrative purposes only and form no part of the claimed design.

(56) **References Cited**

**U.S. PATENT DOCUMENTS**

D. 114,649	*	5/1939	Simon	.....	D11/89
D. 379,601	*	6/1997	Itzkowitz	.....	D11/40
D. 391,516	*	3/1998	Kothari	.....	D11/91
D. 403,611		1/2000	Lai	.	
D. 411,134		6/2000	Lai	.	
D. 425,817		5/2000	Gurevich et al.	.	
D. 427,934		6/2000	Lai	.	
2,907,187		10/1959	Karp et al.	.	
5,123,265		6/1992	Ramot	.	
5,377,506		1/1995	Tranzer	.	
5,520,017		5/1996	Vivat	.	
5,848,539		12/1998	Ouzounian	.	

**1 Claim, 5 Drawing Sheets**



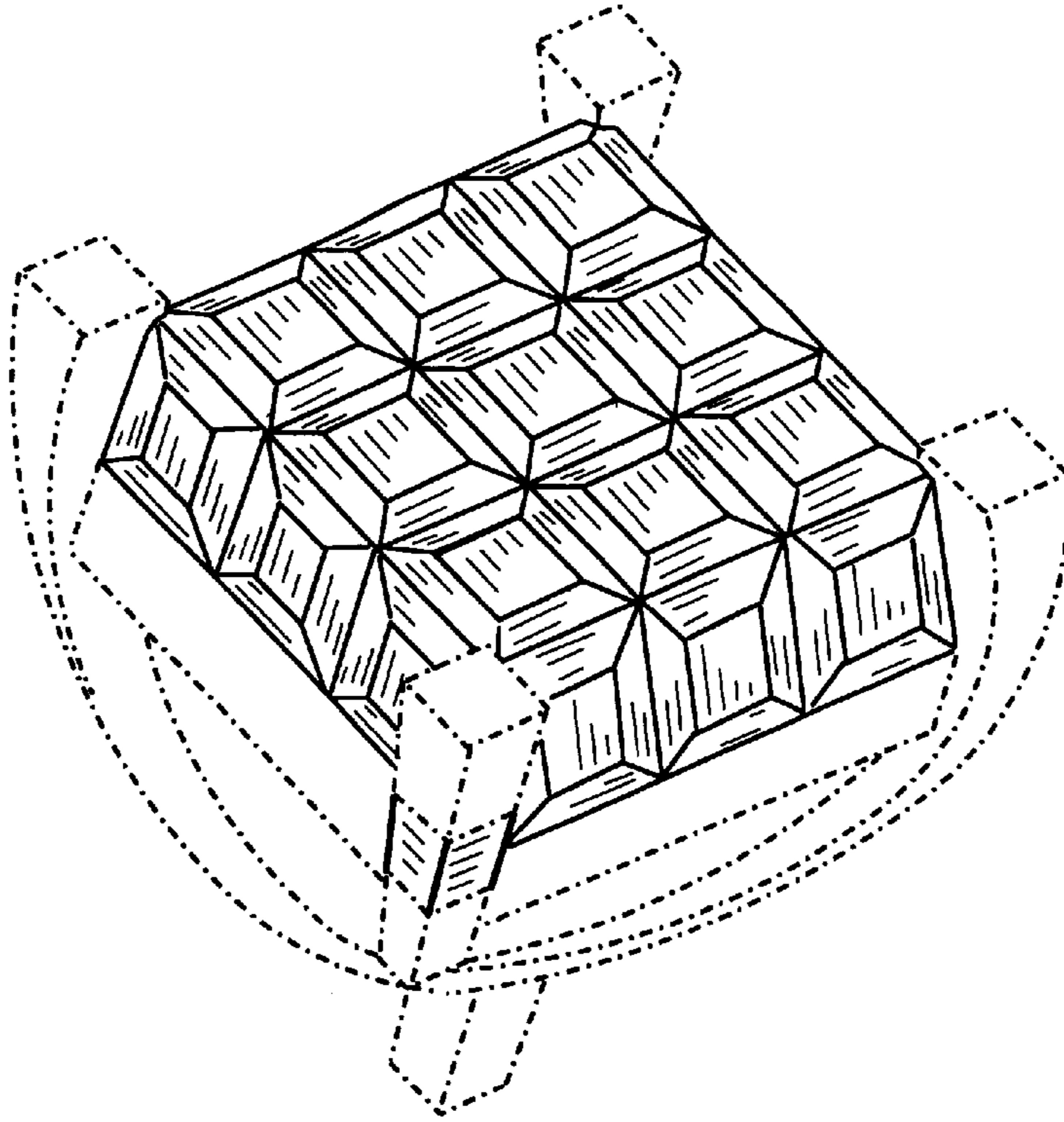


FIG. 1

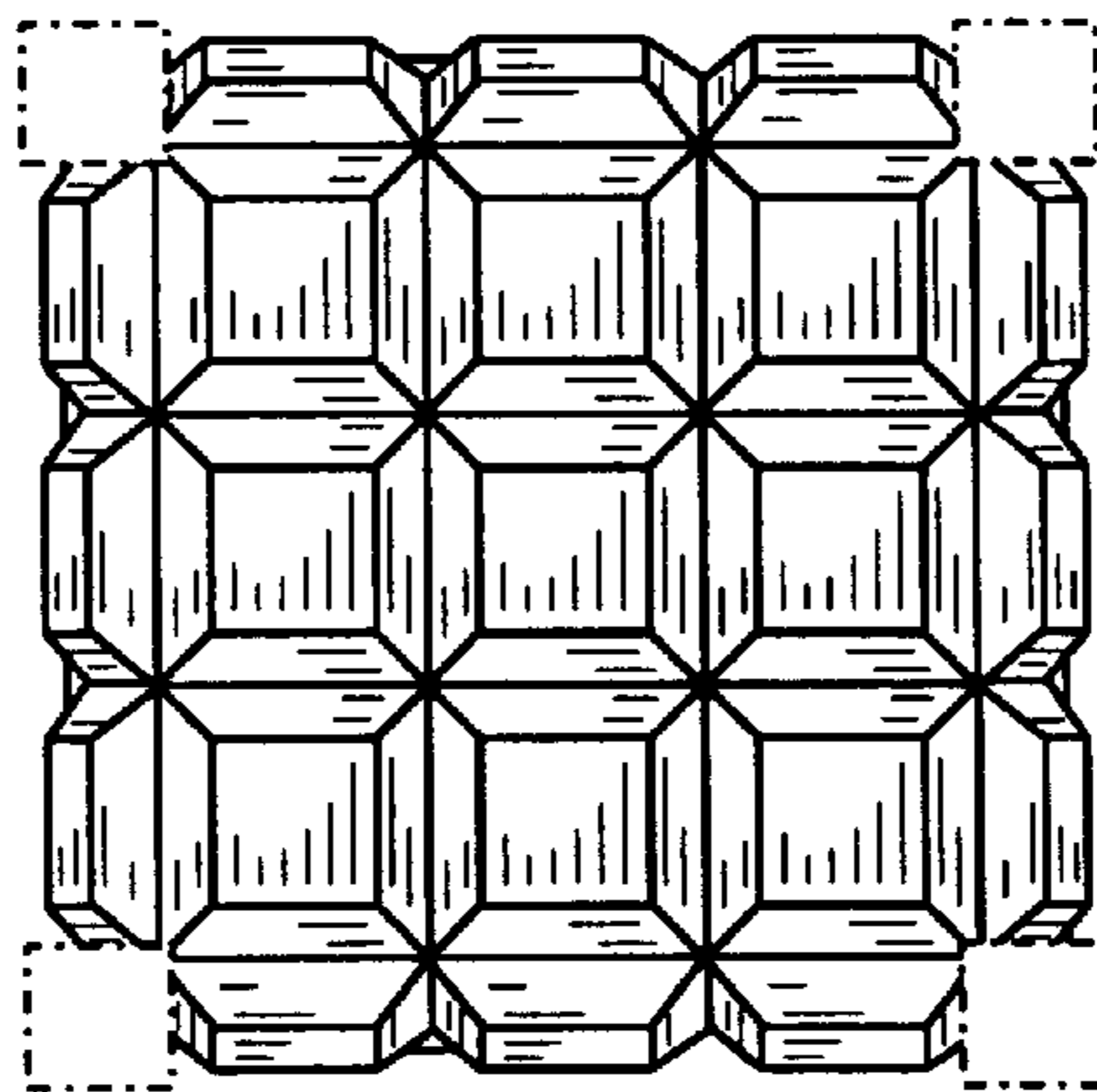


FIG. 2

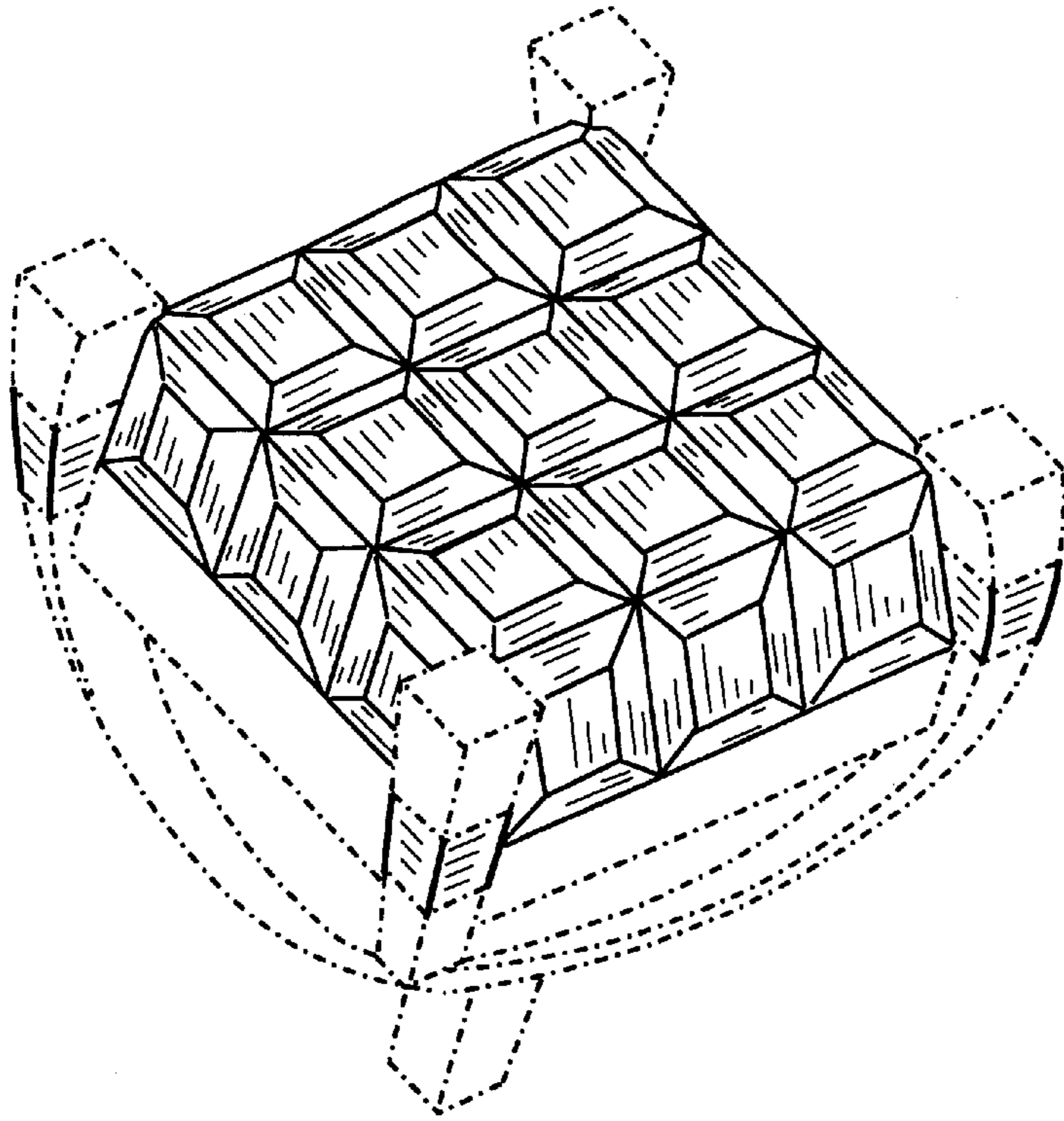


FIG. 3

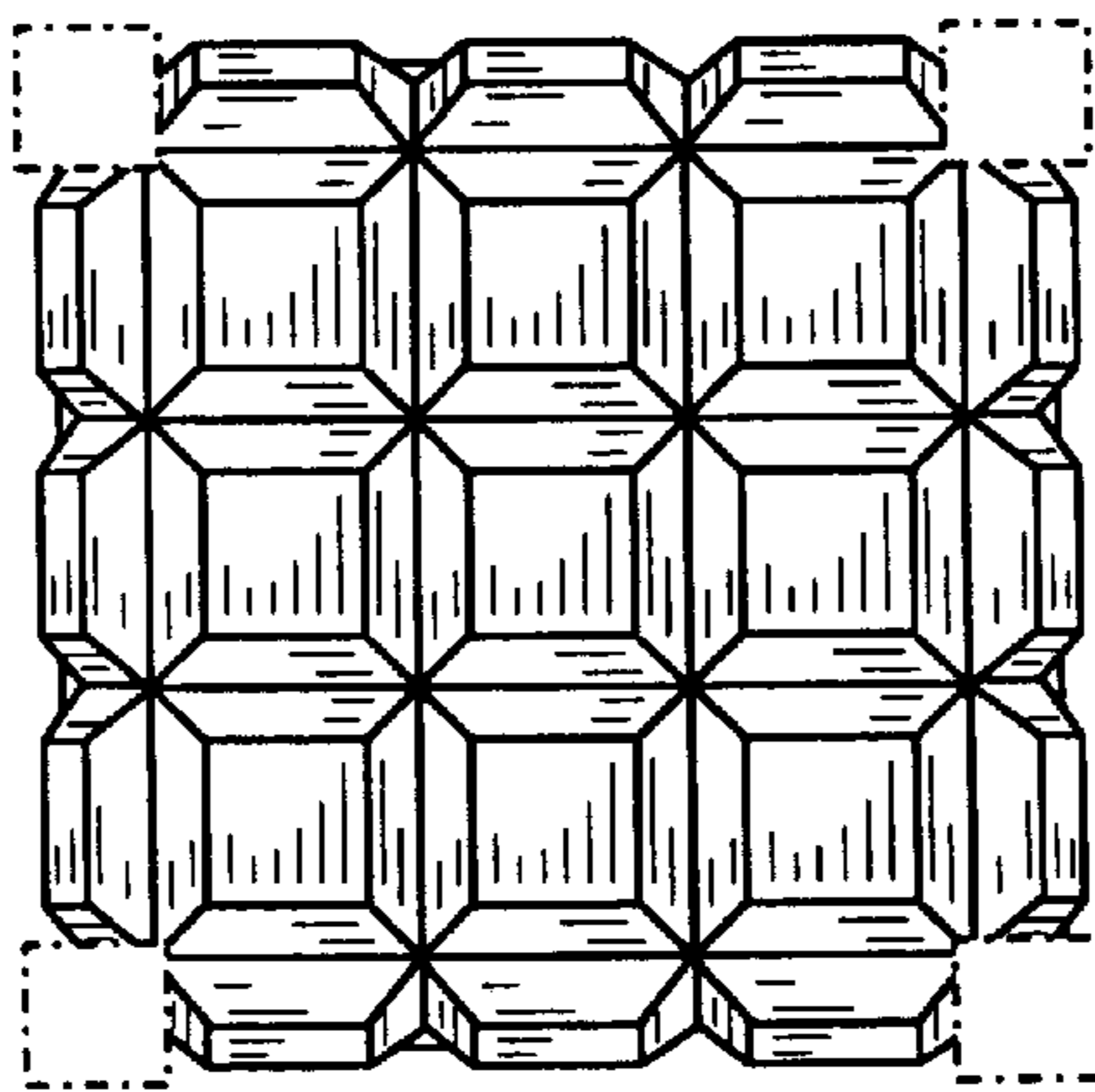


FIG. 4



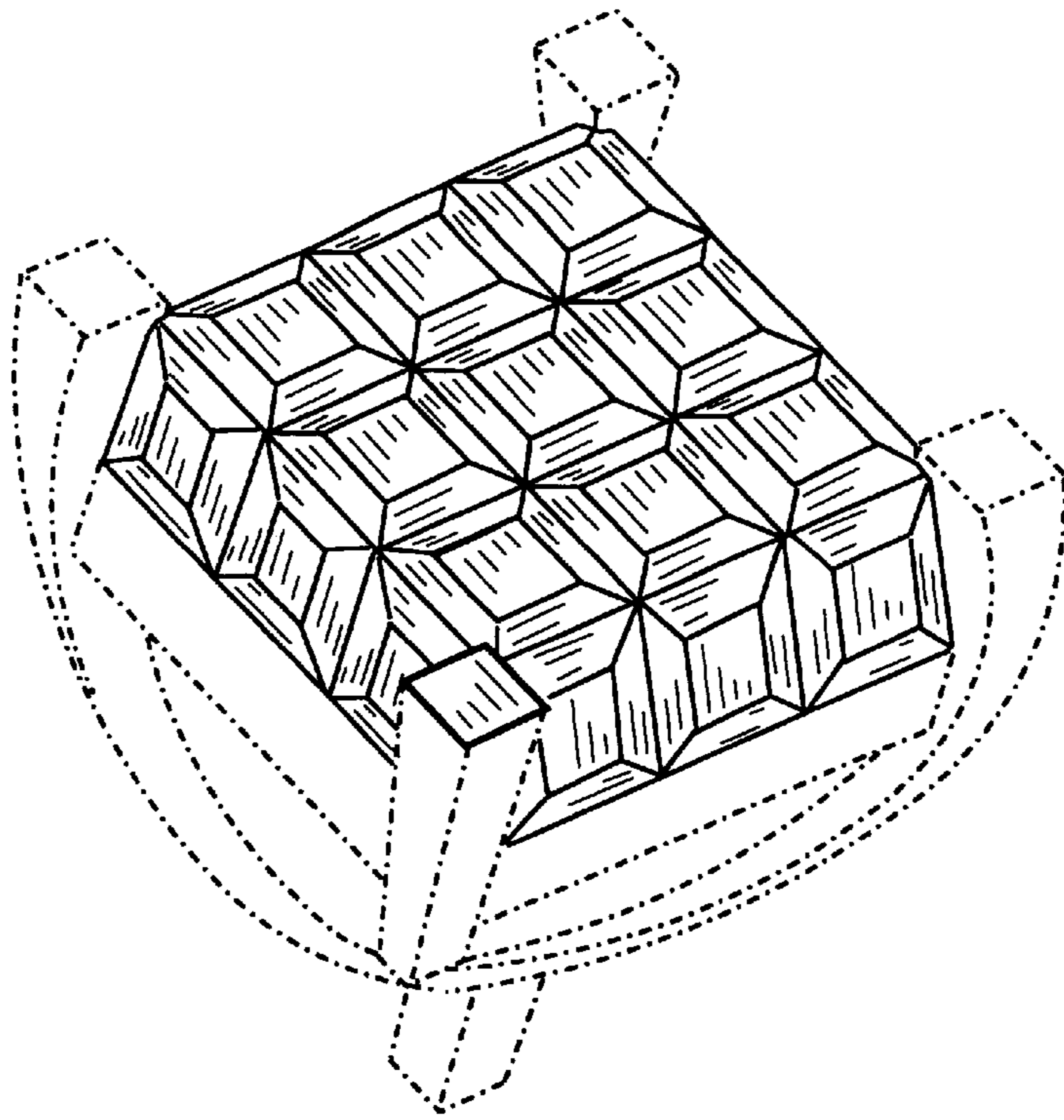


FIG. 5

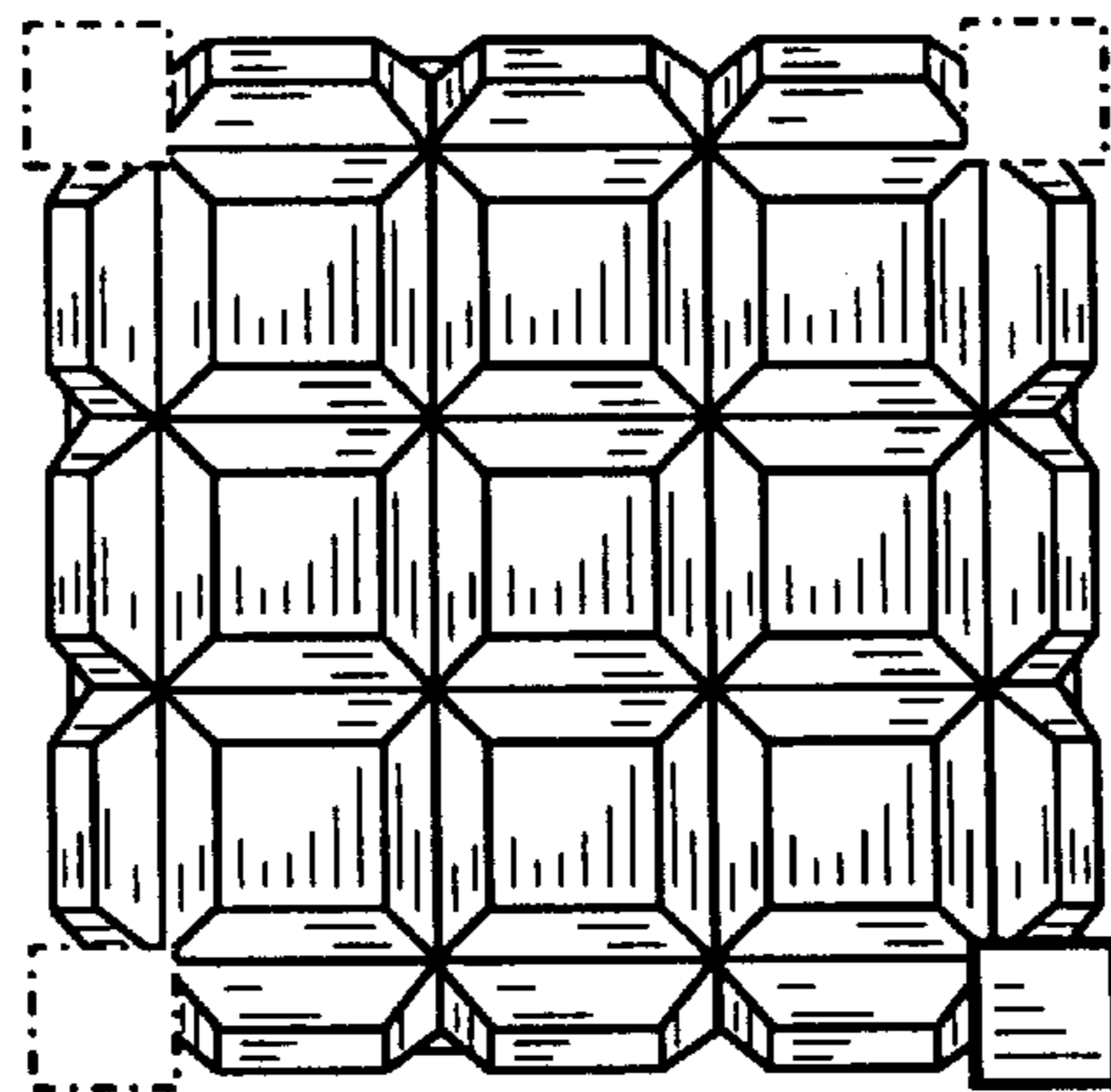


FIG. 6

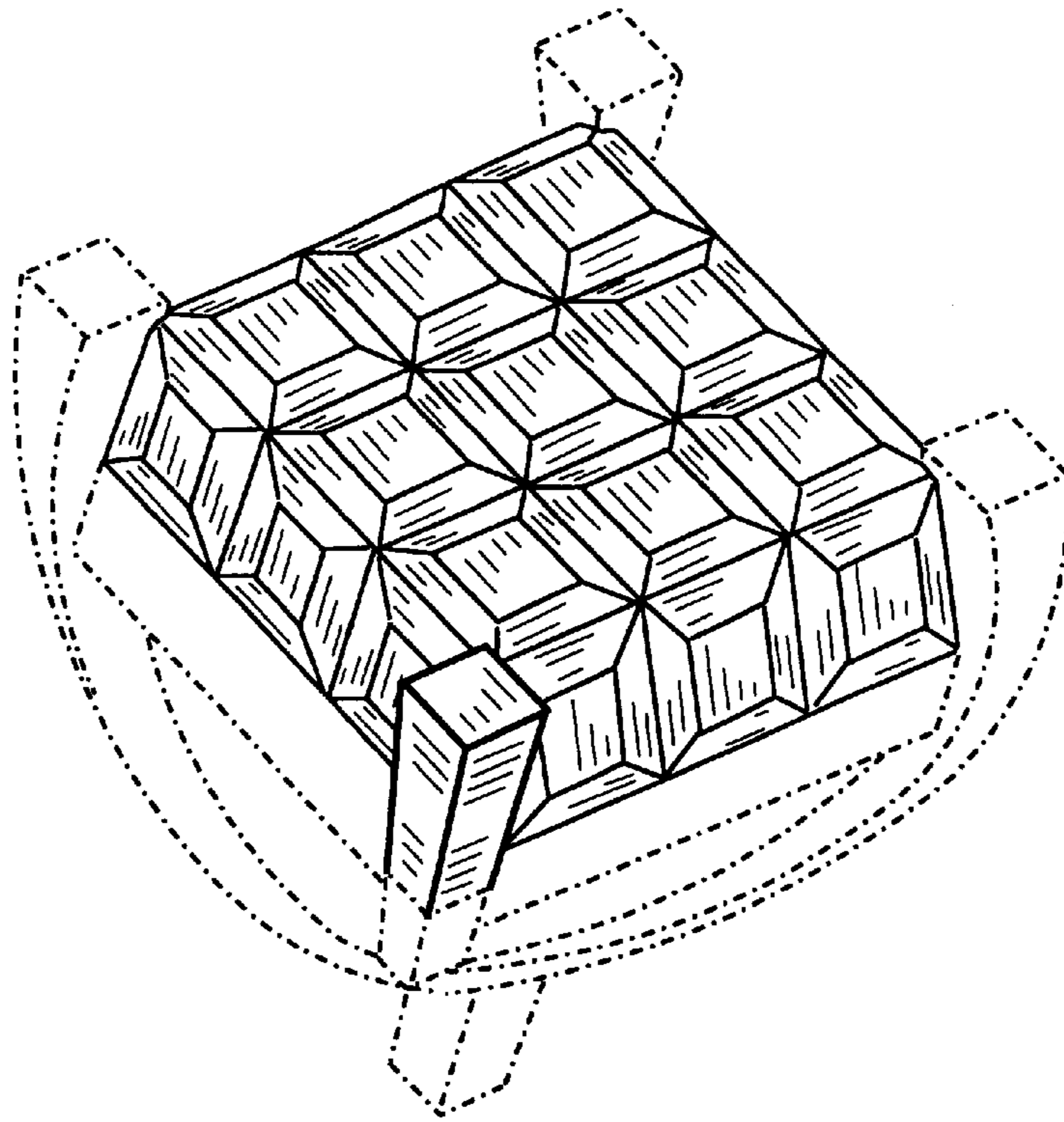


FIG. 7

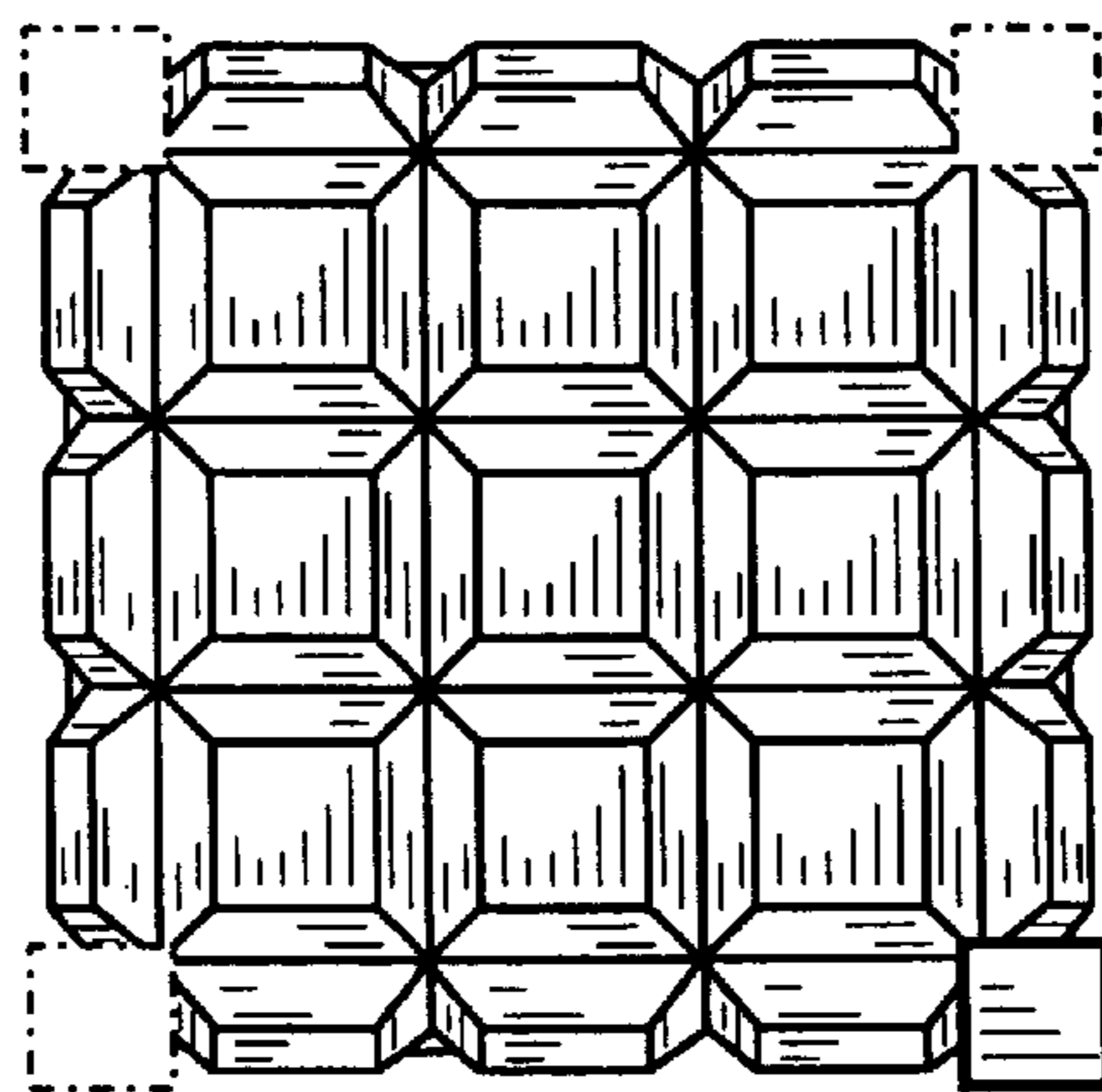


FIG. 8

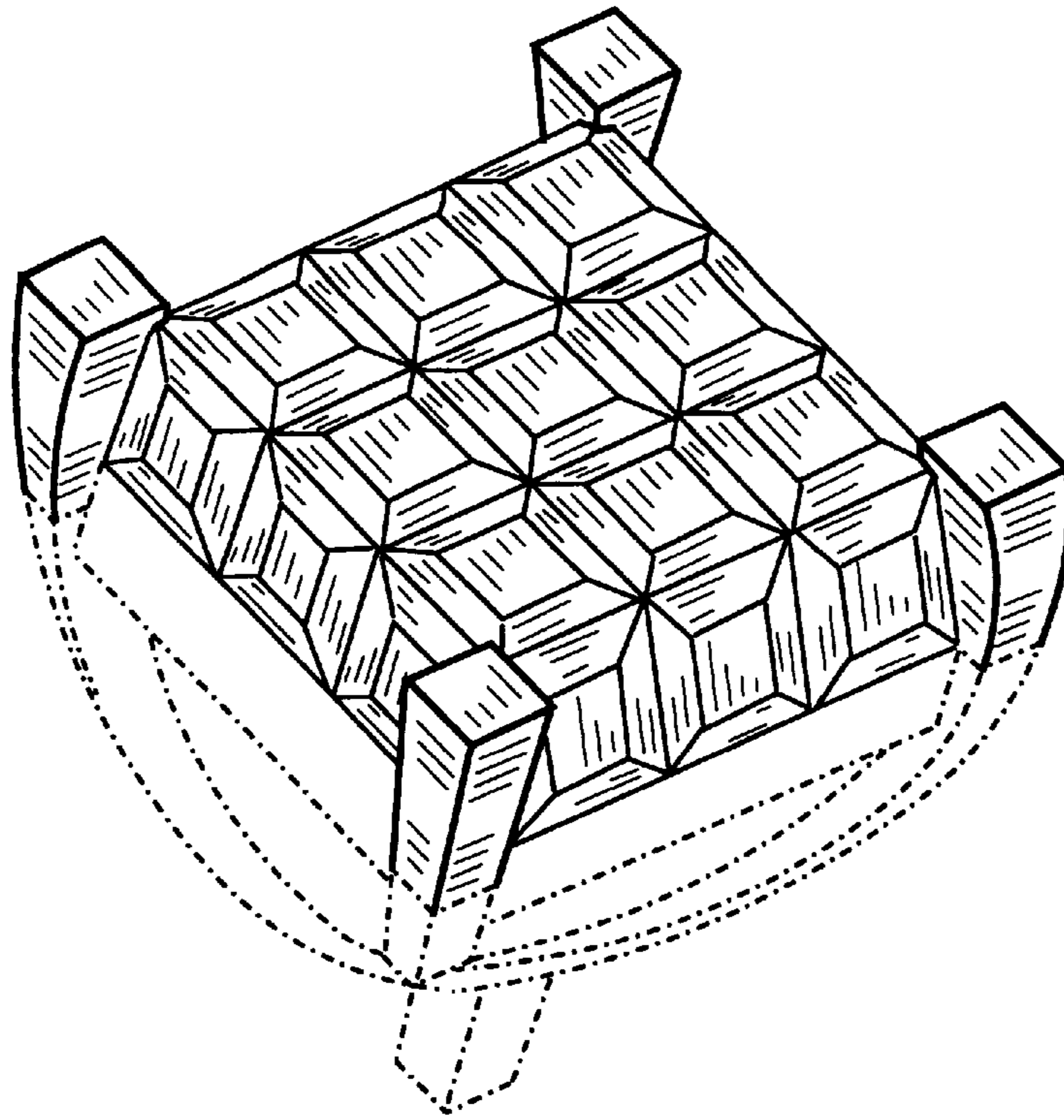


FIG. 9

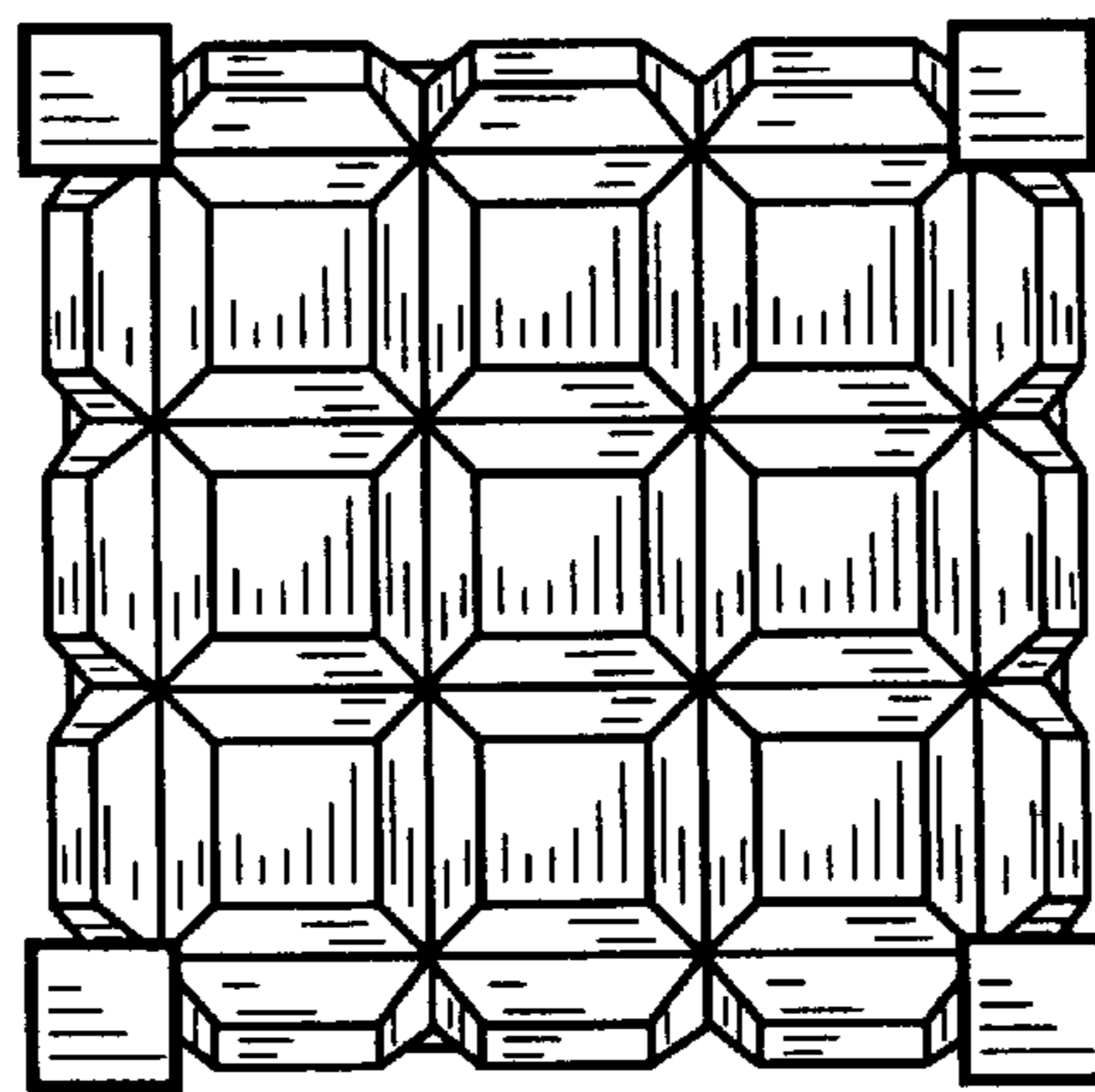


FIG. 10