



US00D442869S

(12) **United States Design Patent**
Leung

(10) **Patent No.:** **US D442,869 S**

(45) **Date of Patent:** **** May 29, 2001**

(54) **FLASHLIGHT WITH CLOCK**

(75) **Inventor:** **Vincent C. K. Leung, Tsuen Wan (CN)**

(73) **Assignee:** **Masterwise International Limited, Hong Kong (CN)**

(**) **Term:** **14 Years**

(21) **Appl. No.:** **29/112,869**

(22) **Filed:** **Oct. 25, 1999**

(51) **LOC (7) Cl.** **10-01**

(52) **U.S. Cl.** **D10/5; D10/15; D10/18; D26/34**

(58) **Field of Search** **D10/1-40, 122-132; D26/34, 38, 46-47; 368/280-282, 276-277, 28-30, 285, 239-242, 82-84, 41-44**

(56) **References Cited**

U.S. PATENT DOCUMENTS

- D. 258,221 * 2/1981 Shimasaki D18/7
- D. 297,713 * 9/1988 Rittenhouse et al. D10/15
- D. 382,876 * 8/1997 Yuen D14/168
- D. 383,071 * 9/1997 Suzuki D10/5
- D. 386,419 * 11/1997 Wong D10/1

- D. 388,713 * 1/1998 Yuen D10/5
- D. 409,095 * 5/1999 Alesi et al. D10/2
- D. 419,891 * 2/2000 Chan D10/5
- D. 423,944 * 5/2000 Chan D10/15

* cited by examiner

Primary Examiner—Nelson C. Holtje

(74) *Attorney, Agent, or Firm*—Alix, Yale & Ristas, LLP

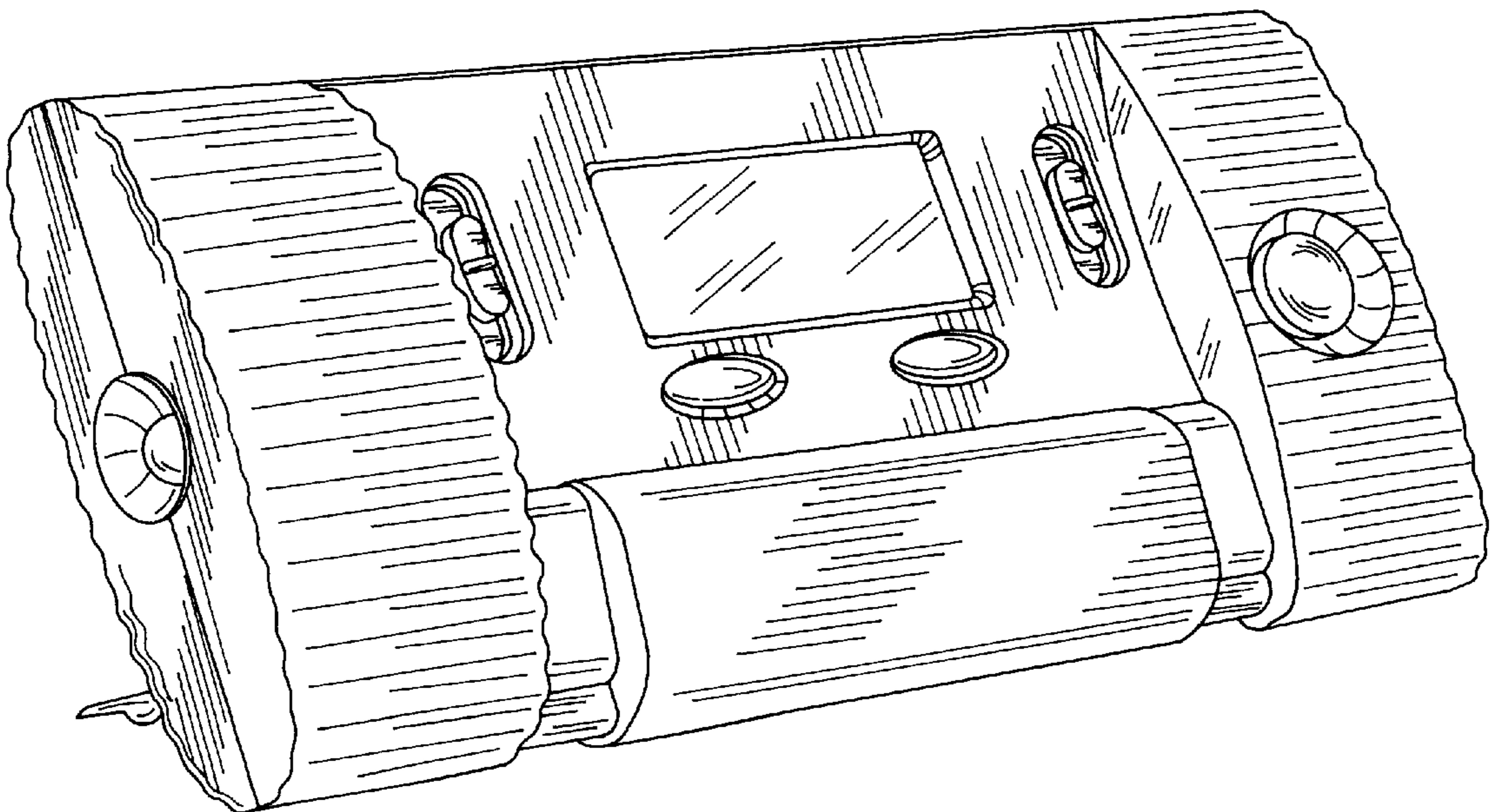
(57) **CLAIM**

The ornamental design for a flashlight with clock, as shown and described.

DESCRIPTION

FIG. 1 is a front elevational view of a flashlight with clock showing my new design;
 FIG. 2 is a left side elevational view thereof;
 FIG. 3 is a top plan view thereof,
 FIG. 4 is a rear elevational view thereof;
 FIG. 5 is a right side elevational view thereof;
 FIG. 6 is a bottom plan view thereof;
 FIG. 7 is a perspective view thereof wherein the door is in an open position; and,
 FIG. 8 is a perspective view thereof wherein the door is in a closed position.

1 Claim, 2 Drawing Sheets



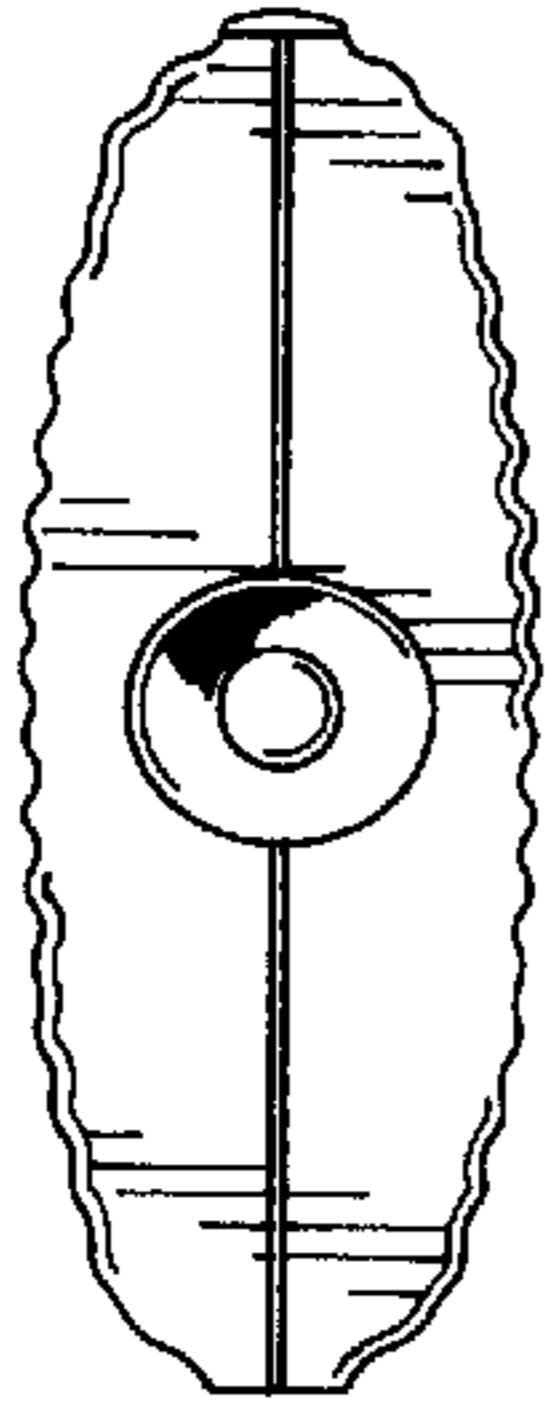


FIG. 2

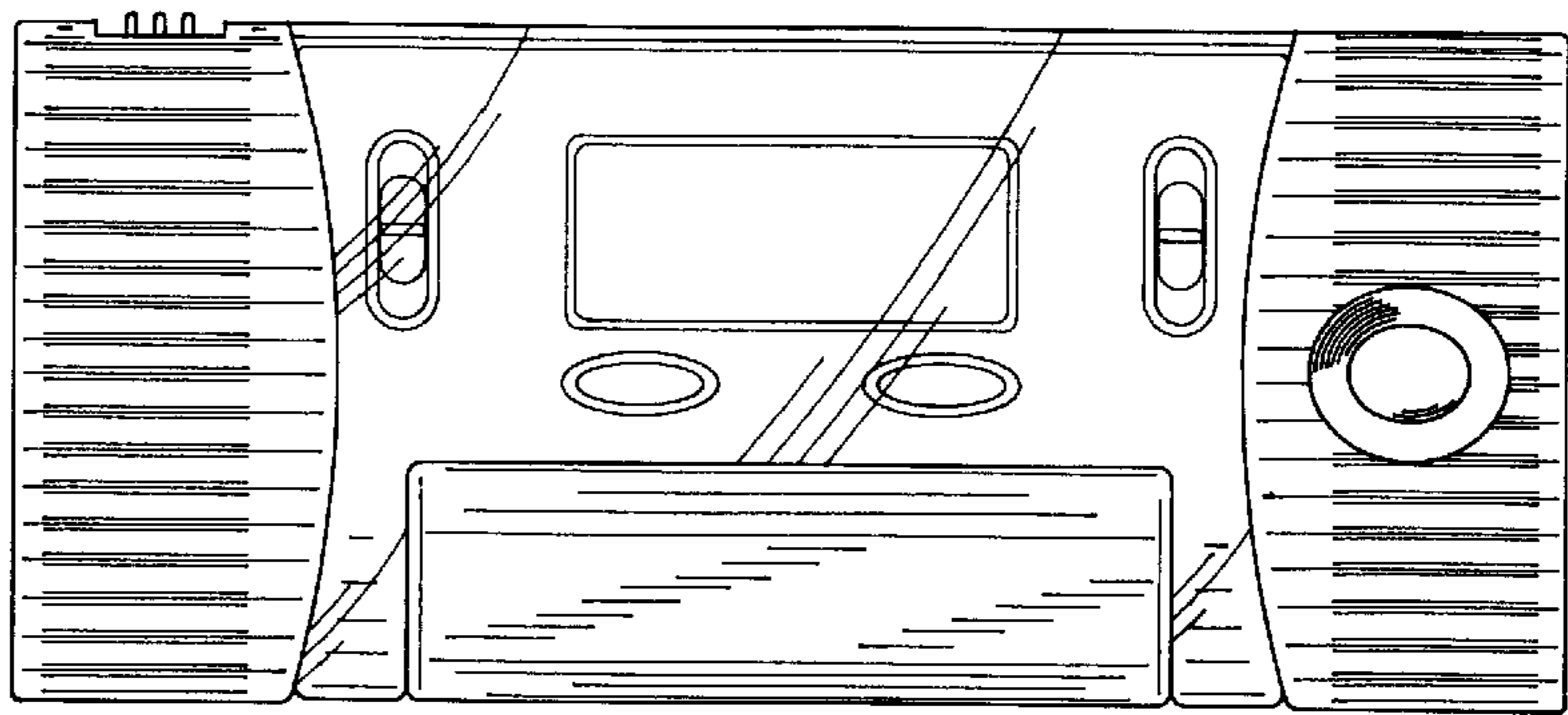


FIG. 1

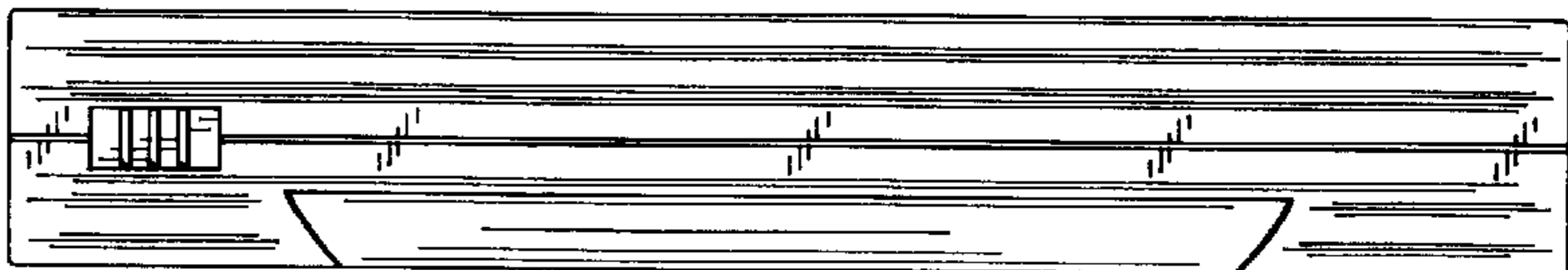


FIG. 3

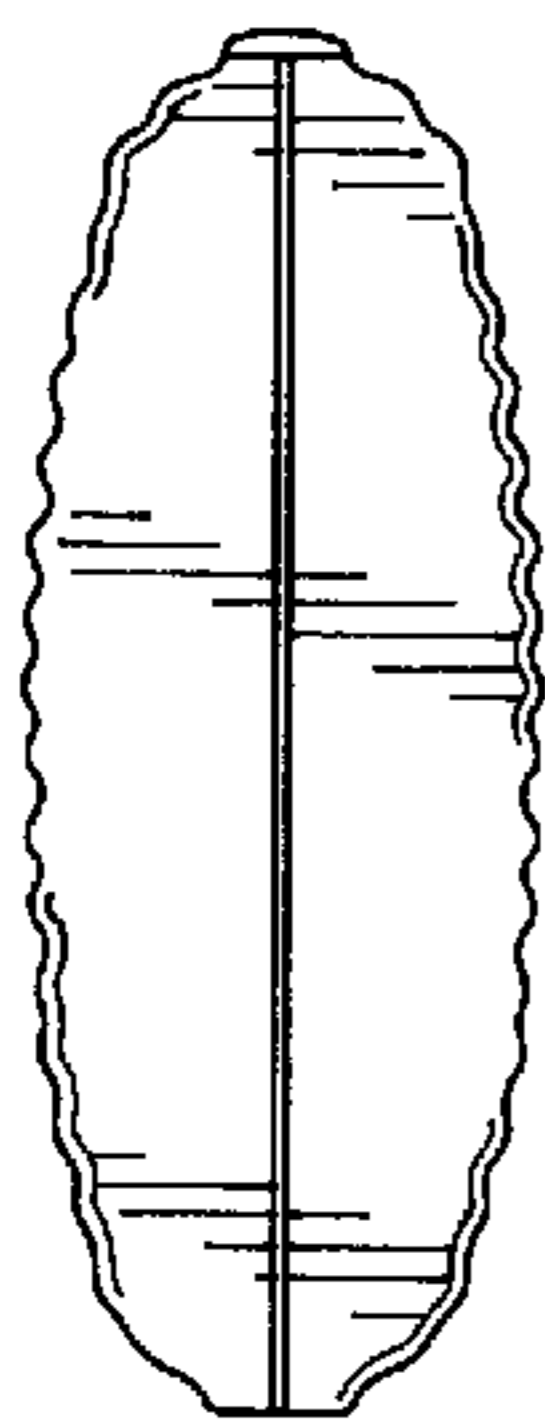


FIG. 5

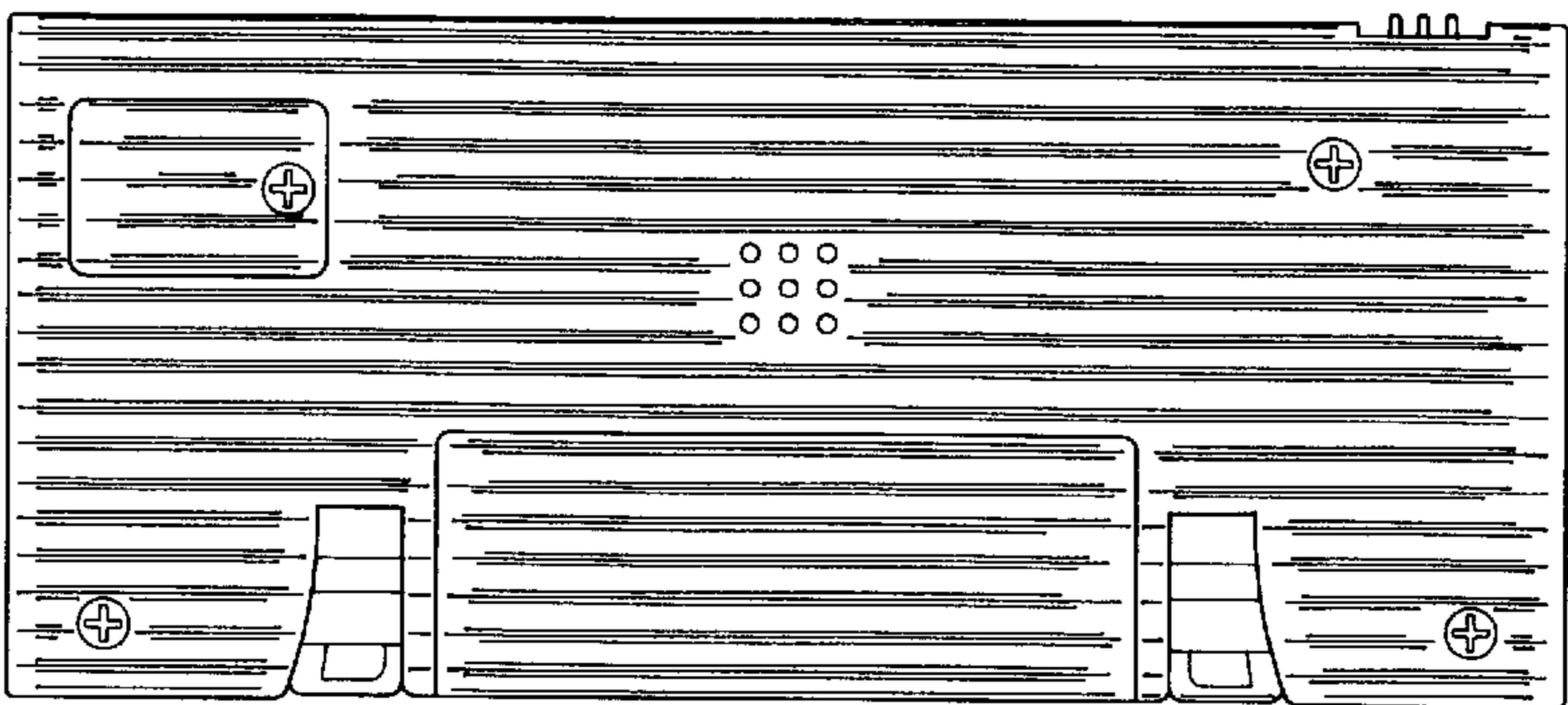


FIG. 4

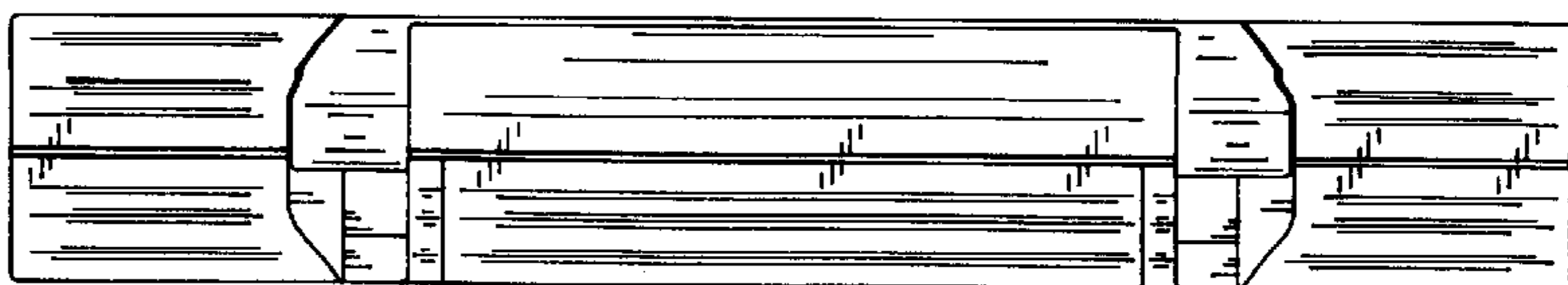


FIG. 6

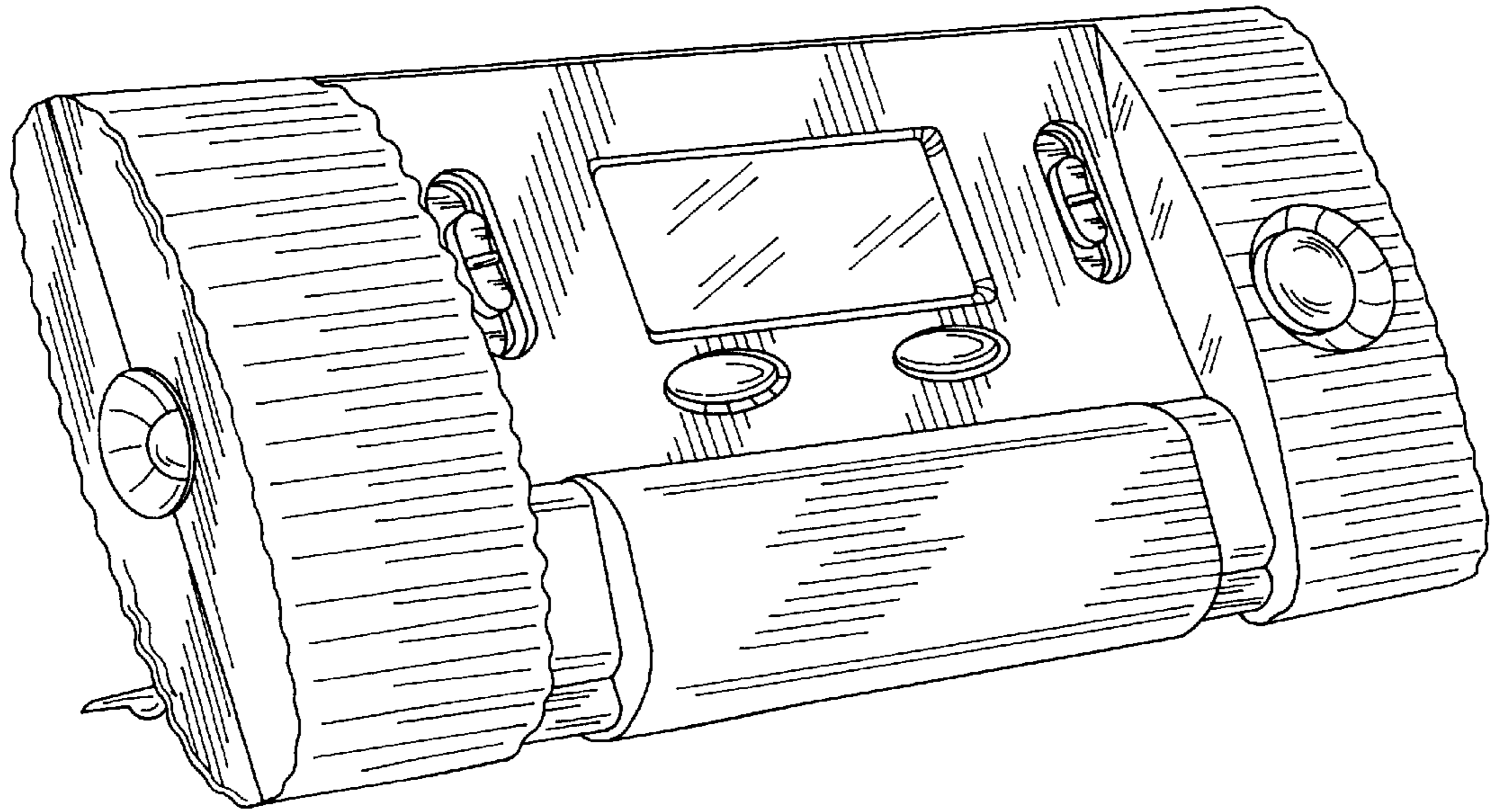


FIG. 7

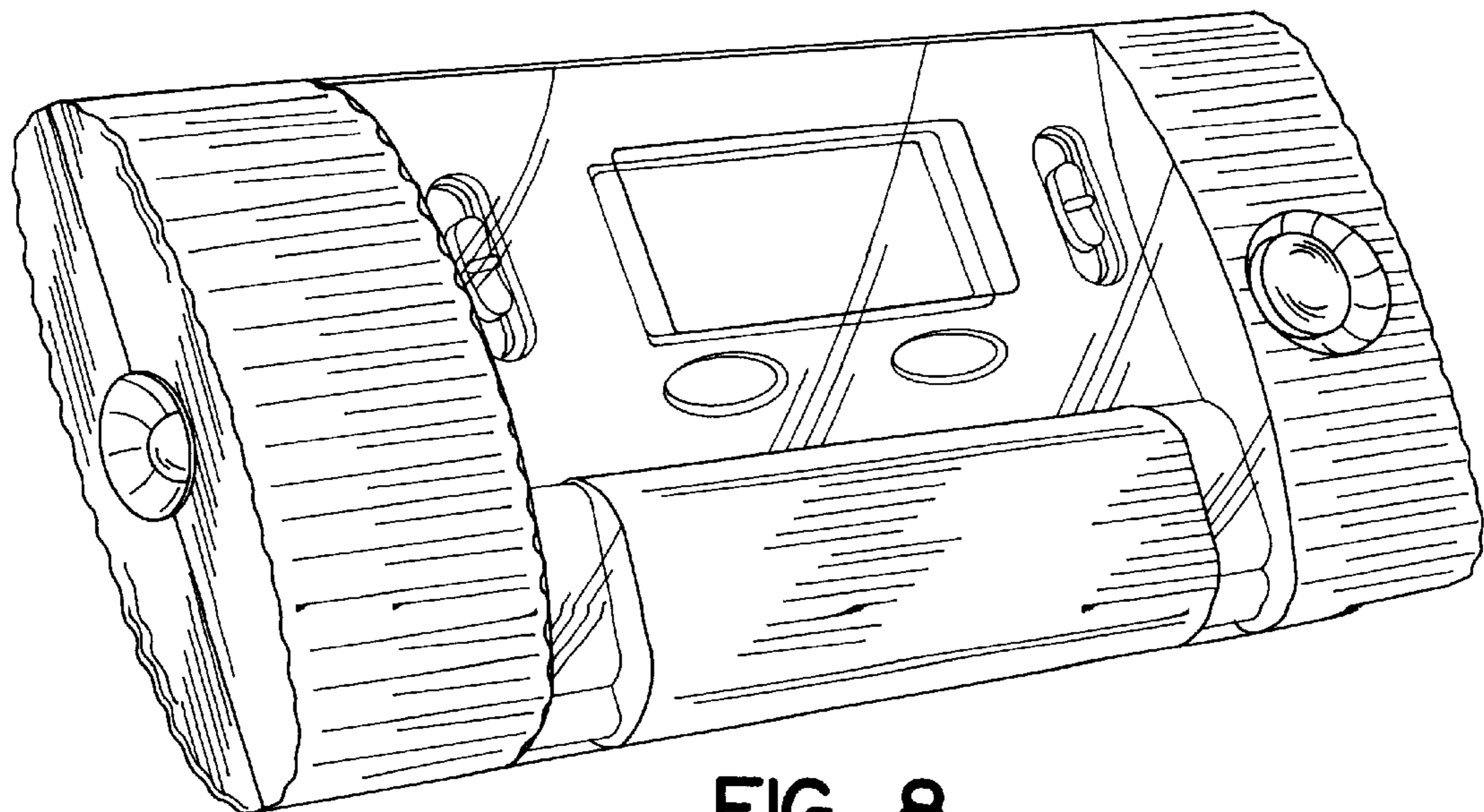


FIG. 8