



US00D442864S

(12) **United States Design Patent**  
**Davies**

(10) **Patent No.:** **US D442,864 S**

(45) **Date of Patent:** **\*\* May 29, 2001**

(54) **TWO-PIECE LID**

(75) **Inventor:** **Mark S. Davies**, Kansas City, MO  
(US)

(73) **Assignee:** **Houston Harvest Gift Products, LLC**,  
Franklin Park, IL (US)

(\*\*) **Term:** **14 Years**

(21) **Appl. No.:** **29/126,275**

(22) **Filed:** **Jul. 12, 2000**

(51) **LOC (7) Cl.** ..... **09-07**

(52) **U.S. Cl.** ..... **D9/454**

(58) **Field of Search** ..... D9/435, 452, 453,  
D9/454, 503; D7/601, 602, 608, 629, 540;  
D28/82; 220/254, 255, 256, 377, 602

(56) **References Cited**

**U.S. PATENT DOCUMENTS**

H1855	*	8/2000	Litton et al.	.....	D28/82
D. 226,063	*	1/1973	Warmberg	.....	D9/503
D. 258,576	*	3/1981	Smith	.....	D9/452
D. 291,971	*	9/1987	Smith	.....	D9/454 X
D. 320,558	*	10/1991	Timm	.....	D7/629 X
D. 321,318	*	11/1991	Gunter	.....	D9/503
D. 321,477	*	11/1991	Gunter	.....	D9/503
D. 322,760	*	12/1991	Blanchette	.....	D9/454 X
D. 359,451	*	6/1995	Dees	.....	D9/454 X
D. 389,058	*	1/1998	Landis	.....	D9/454 X
D. 415,420	*	10/1999	Chen	.....	D7/629 X
3,746,199	*	7/1973	Hart et al.	.....	215/256
4,747,499	*	5/1988	Gach et al.	.....	220/377 X

4,747,500	*	5/1988	Gach et al.	.....	220/377 X
4,930,656	*	6/1990	Blanchette	.....	220/256 X
5,220,999	*	6/1993	Goulette	.....	206/470
5,246,133	*	9/1993	James	.....	220/377

\* cited by examiner

*Primary Examiner*—Cathron Brooks

(74) *Attorney, Agent, or Firm*—Piper Marbury Rudnick & Wolfe

(57) **CLAIM**

The ornamental design for a two-piece lid, as shown and described.

**DESCRIPTION**

FIG. 1 is a top perspective view of the top piece of a two-piece lid, shown separately for clarity and completeness of illustration;

FIG. 2 is a top plan view of the top piece of a two-piece lid;

FIG. 3 is side elevational view of the two-piece lid;

FIG. 4 is an enlarged cross-sectional view of FIG. 3, taken longitudinally through the center of the two-piece lid;

FIG. 5 is a bottom plan view of FIG. 3;

FIG. 6 is an exploded view of FIG. 3;

FIG. 7 is a top perspective view of the bottom piece of a two-piece lid, shown separately for clarity and completeness of illustration;

FIG. 8 is a top plan view of FIG. 7; and,

FIG. 9 is a side elevational view of FIG. 7.

The broken lines are for illustrative purposes only and form no part of the claimed design.

**1 Claim, 4 Drawing Sheets**

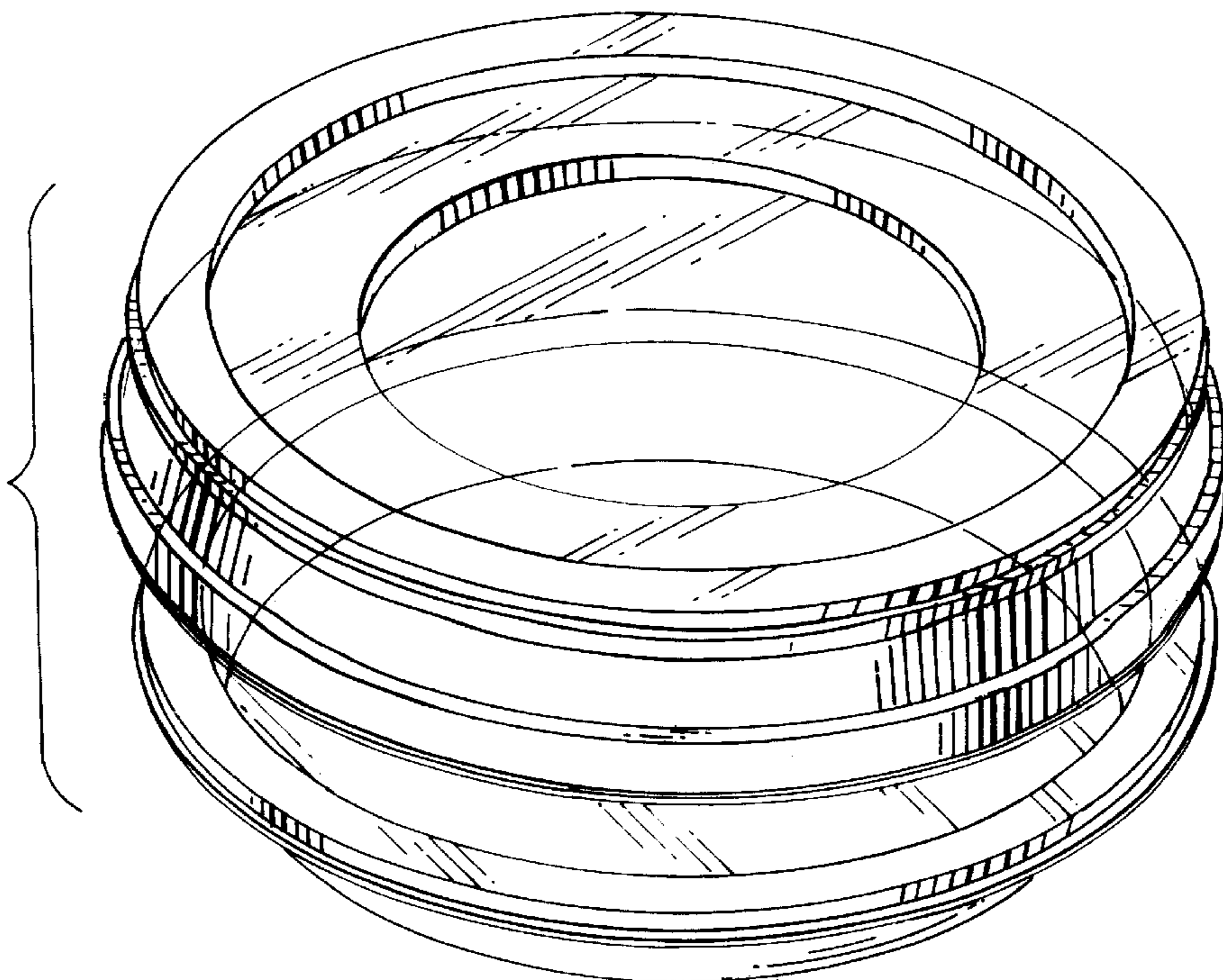


FIG. 1

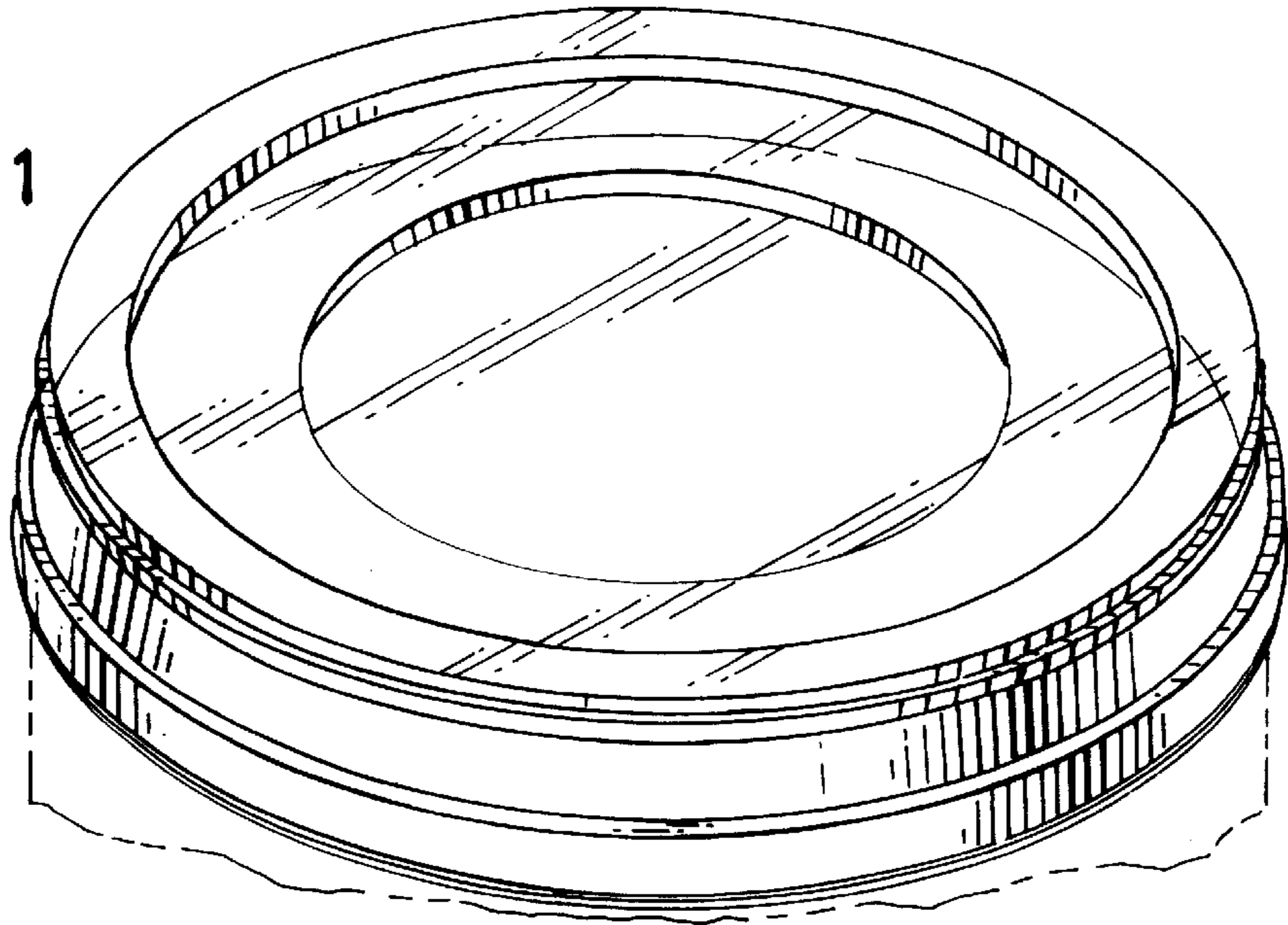


FIG. 2

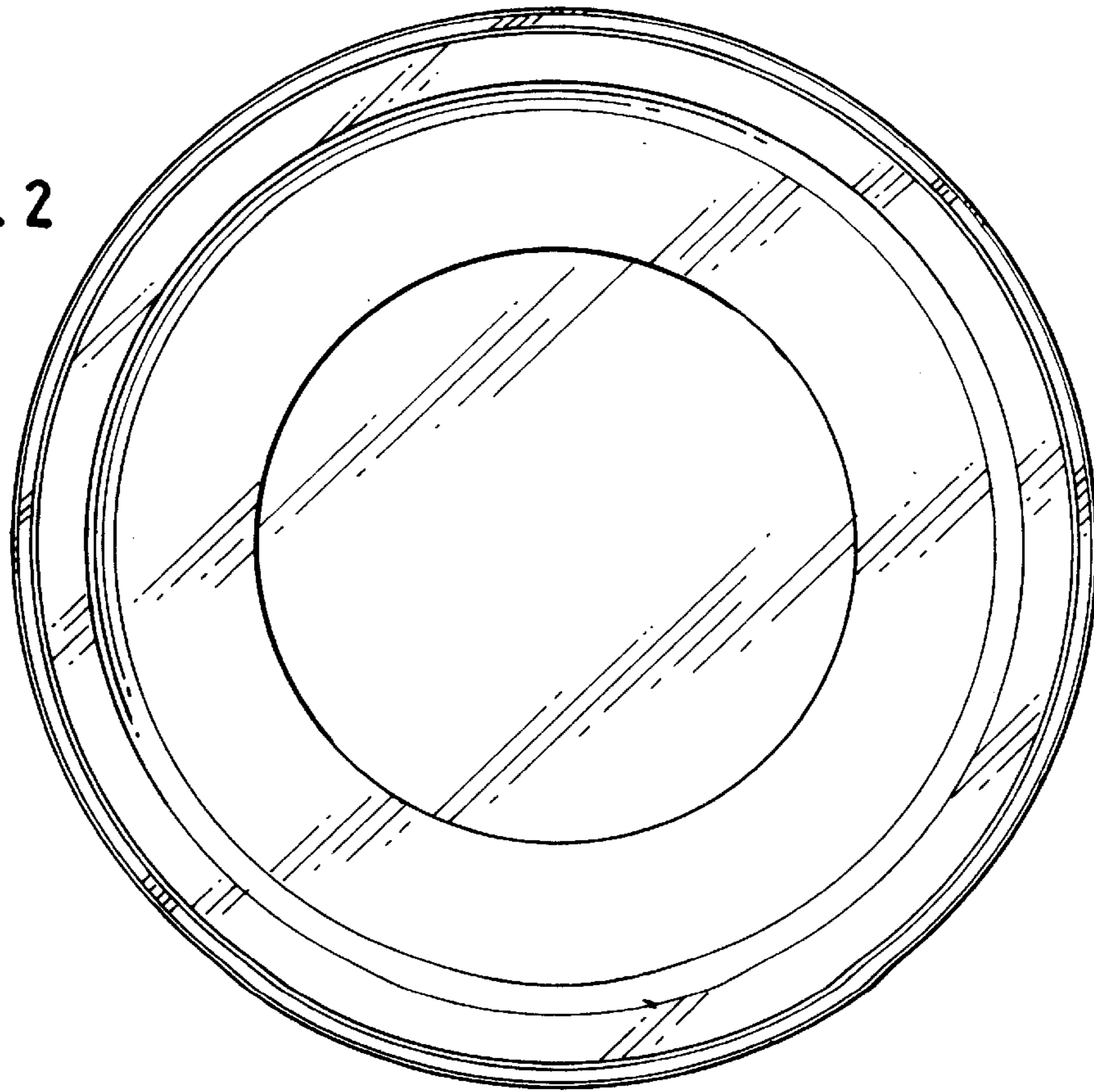


FIG. 3

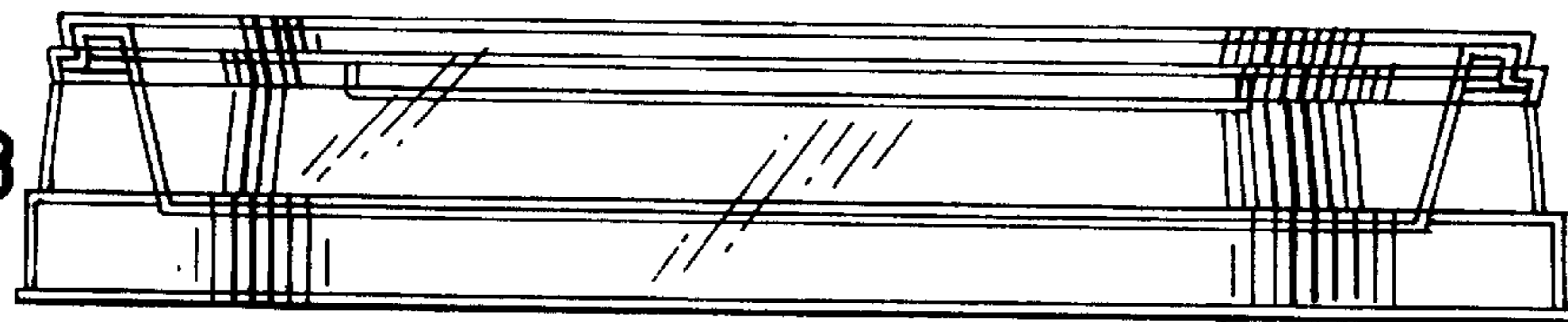


FIG. 4

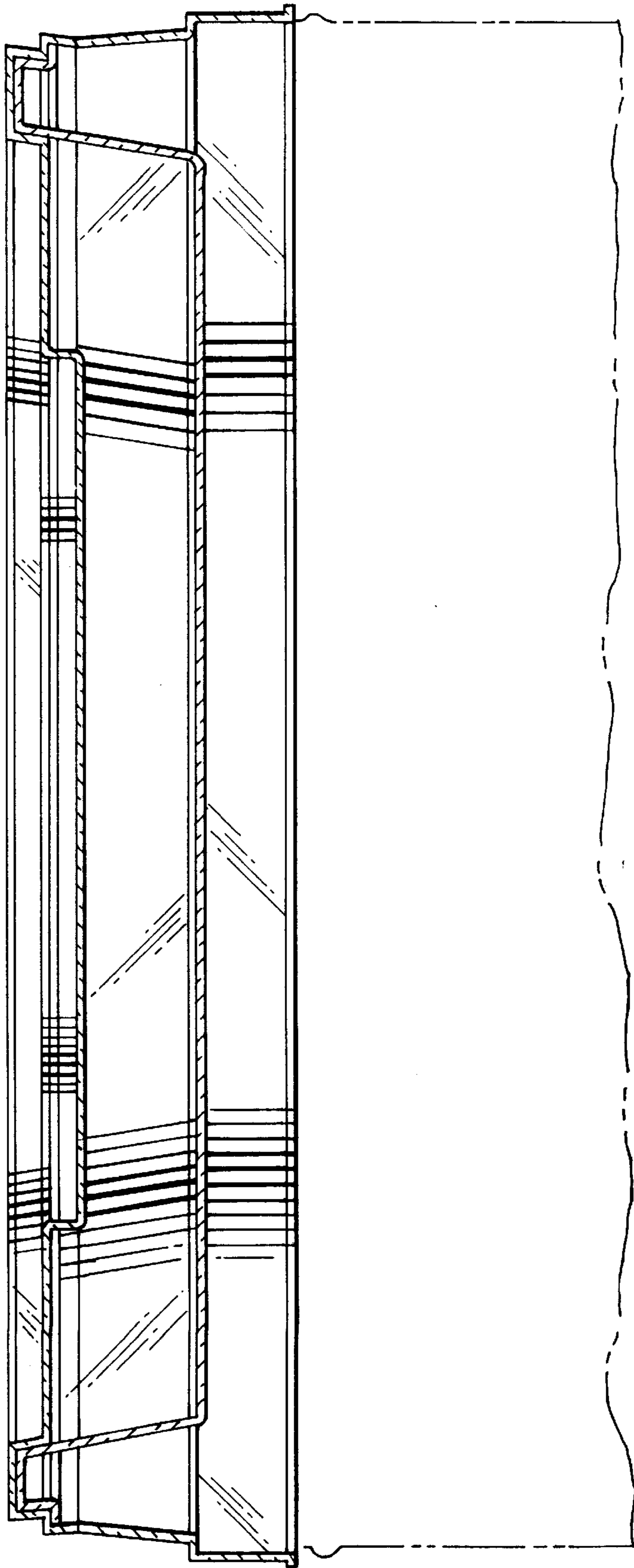


FIG. 5

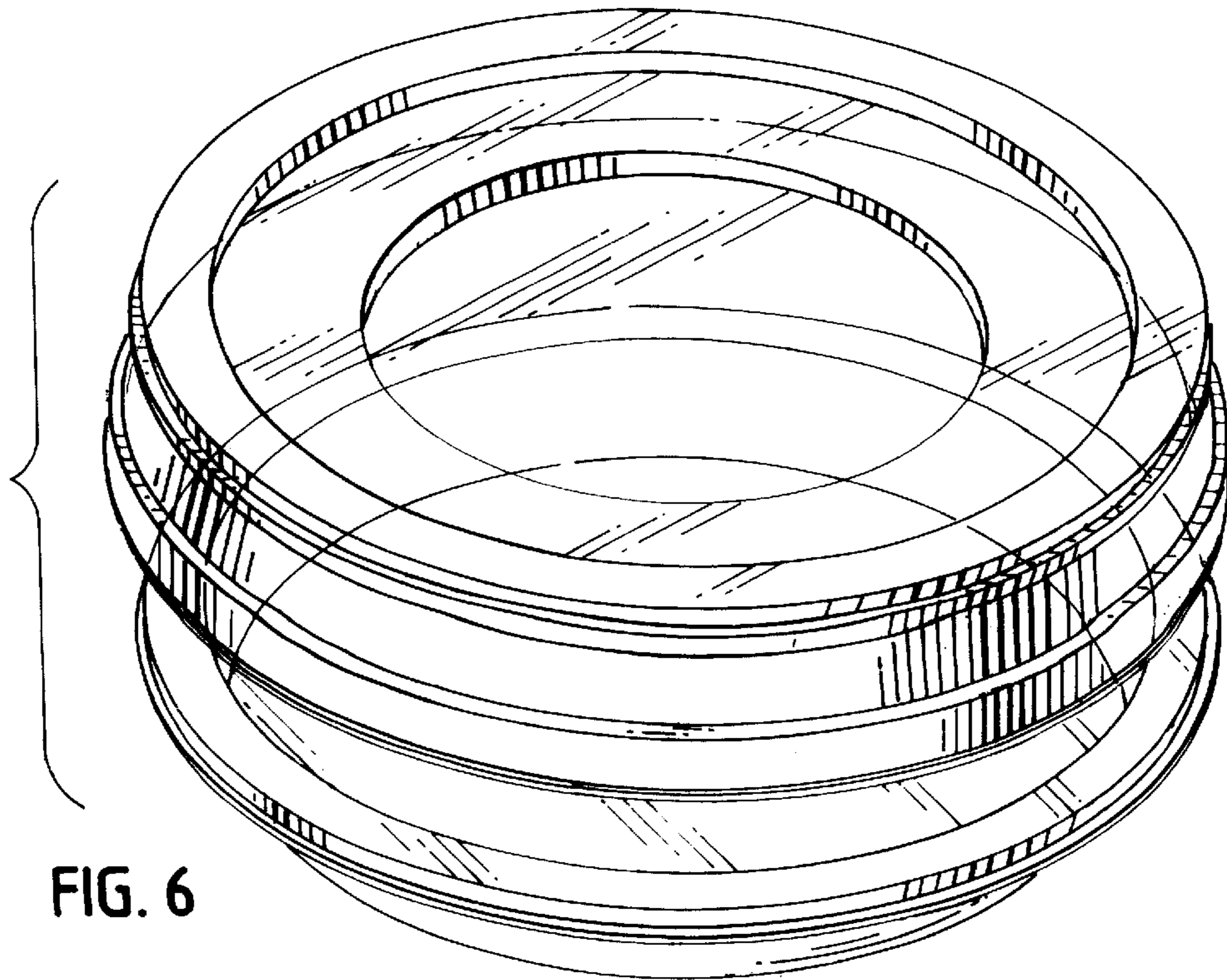
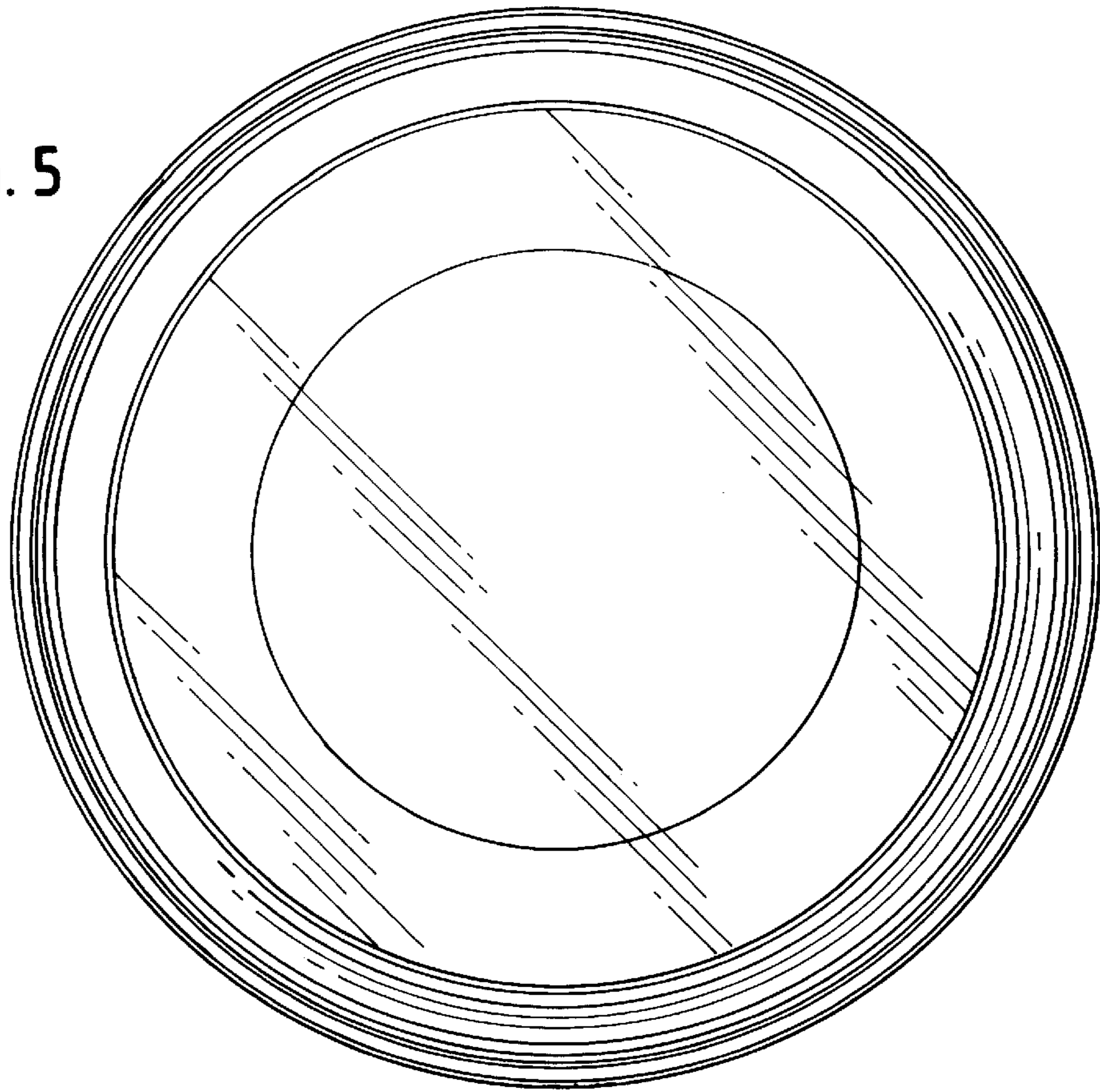


FIG. 6

FIG. 7

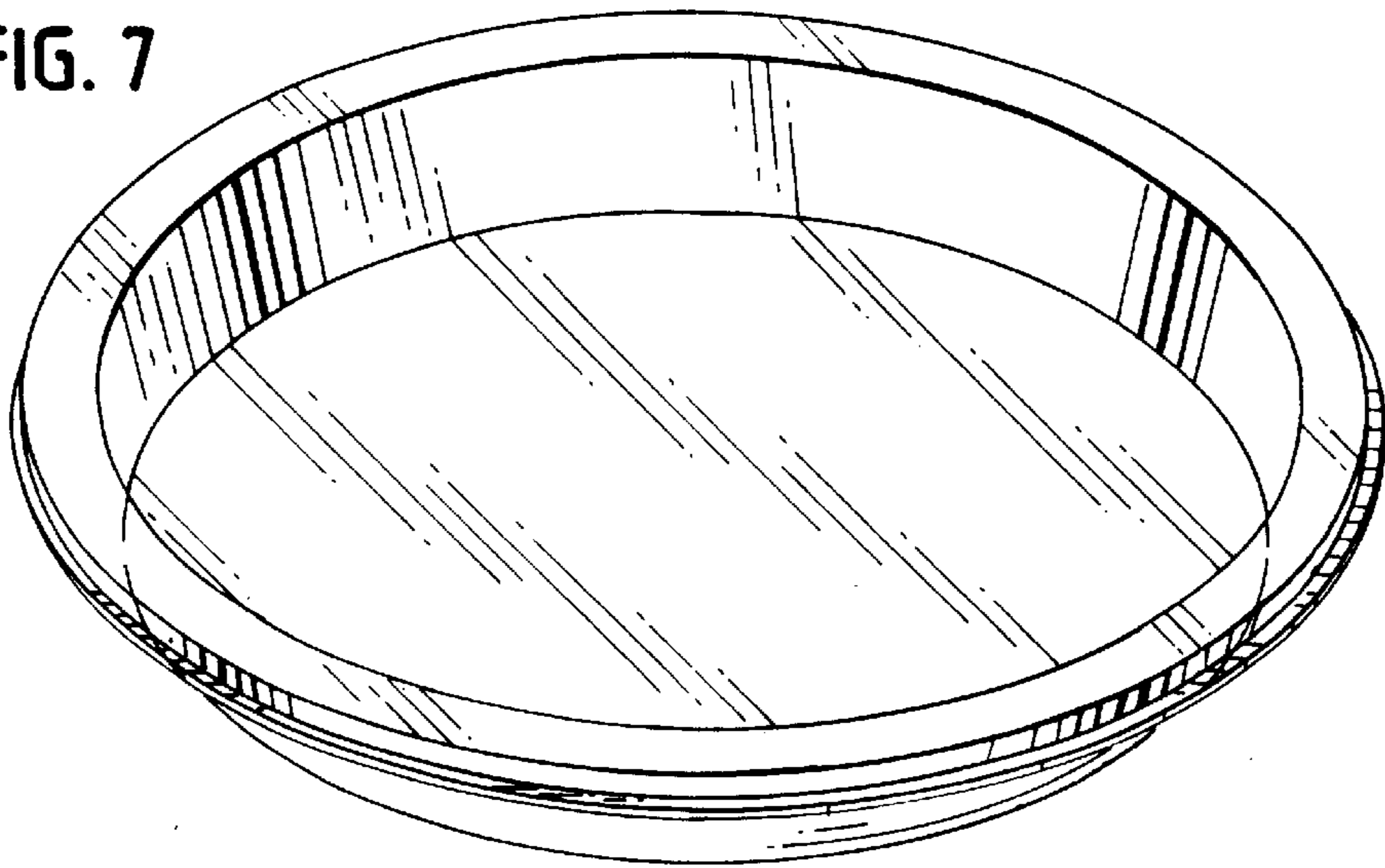


FIG. 8

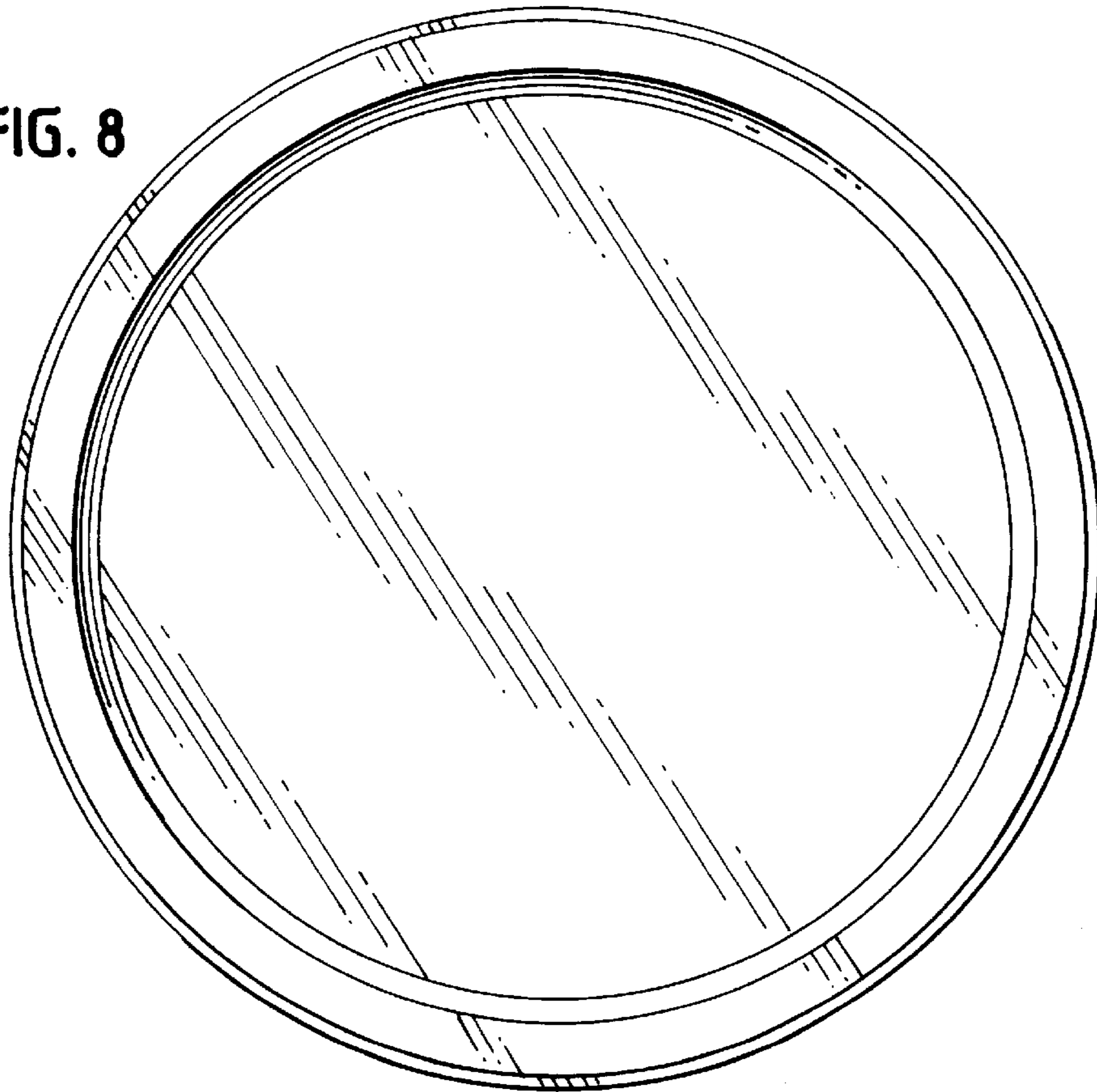


FIG. 9

