



US00D442860S

(12) **United States Design Patent**  
**Symons et al.**

(10) **Patent No.:** **US D442,860 S**

(45) **Date of Patent:** **\*\* May 29, 2001**

(54) **CONTAINER**

(75) Inventors: **Anthony Richard Symons**, Devon;  
**Richard Merrick**, London, both of  
(GB); **Philippe Chretien**, Courbevoie  
(FR)

(73) Assignee: **Bestfoods**, Englewood Cliffs, NJ (US)

(\*\*) Term: **14 Years**

(21) Appl. No.: **29/119,804**

(22) Filed: **Mar. 7, 2000**

(30) **Foreign Application Priority Data**

Sep. 11, 1999 (GB) ..... 2086543

(51) **LOC (7) Cl.** ..... **09-03**

(52) **U.S. Cl.** ..... **D9/428; D9/425**

(58) **Field of Search** ..... D9/428, 429, 430,  
D9/431, 414, 337, 425, 424; D7/601, 602,  
608, 629, 641; 229/4.5, 5.5, 905, 932, 406;  
206/303, 216, 508; 220/669, 674, 675,  
376, 380

(56) **References Cited**

**U.S. PATENT DOCUMENTS**

- D. 248,216 \* 6/1978 Allen et al. .... D9/418 X
- D. 312,400 \* 11/1990 Schwalkert ..... D9/424
- D. 361,956 \* 9/1995 Moore ..... D9/500

- D. 416,796 \* 1/1999 Smith ..... D9/428
- 3,208,620 \* 9/1965 Herdering ..... D9/549 X
- 3,836,042 \* 9/1974 Petitto ..... 220/675
- 3,934,747 \* 1/1976 Needt ..... 220/675
- 4,446,969 \* 5/1984 Tyler ..... 220/675
- 5,377,861 \* 1/1995 Landia ..... 220/781
- 5,931,332 \* 8/1999 Mygatt et al. .... 220/793

\* cited by examiner

*Primary Examiner*—Prabhakar Deshmukh

(74) *Attorney, Agent, or Firm*—Norris, McLaughlin & Marcus

(57) **CLAIM**

We claim the ornamental design for a container, as shown and described.

**DESCRIPTION**

FIG. 1 is a perspective view showing my new design with its cover in the closed position;  
 FIG. 2 is a front view showing the cover in a closed position;  
 FIG. 3 is a rear view showing the cover in a closed position;  
 FIG. 4 is a left side view showing the cover in a closed position;  
 FIG. 5 is a right side view showing the cover in a closed position;  
 FIG. 6 is a top plan view showing the cover in a closed position; and,  
 FIG. 7 is a bottom plan view.

**1 Claim, 4 Drawing Sheets**

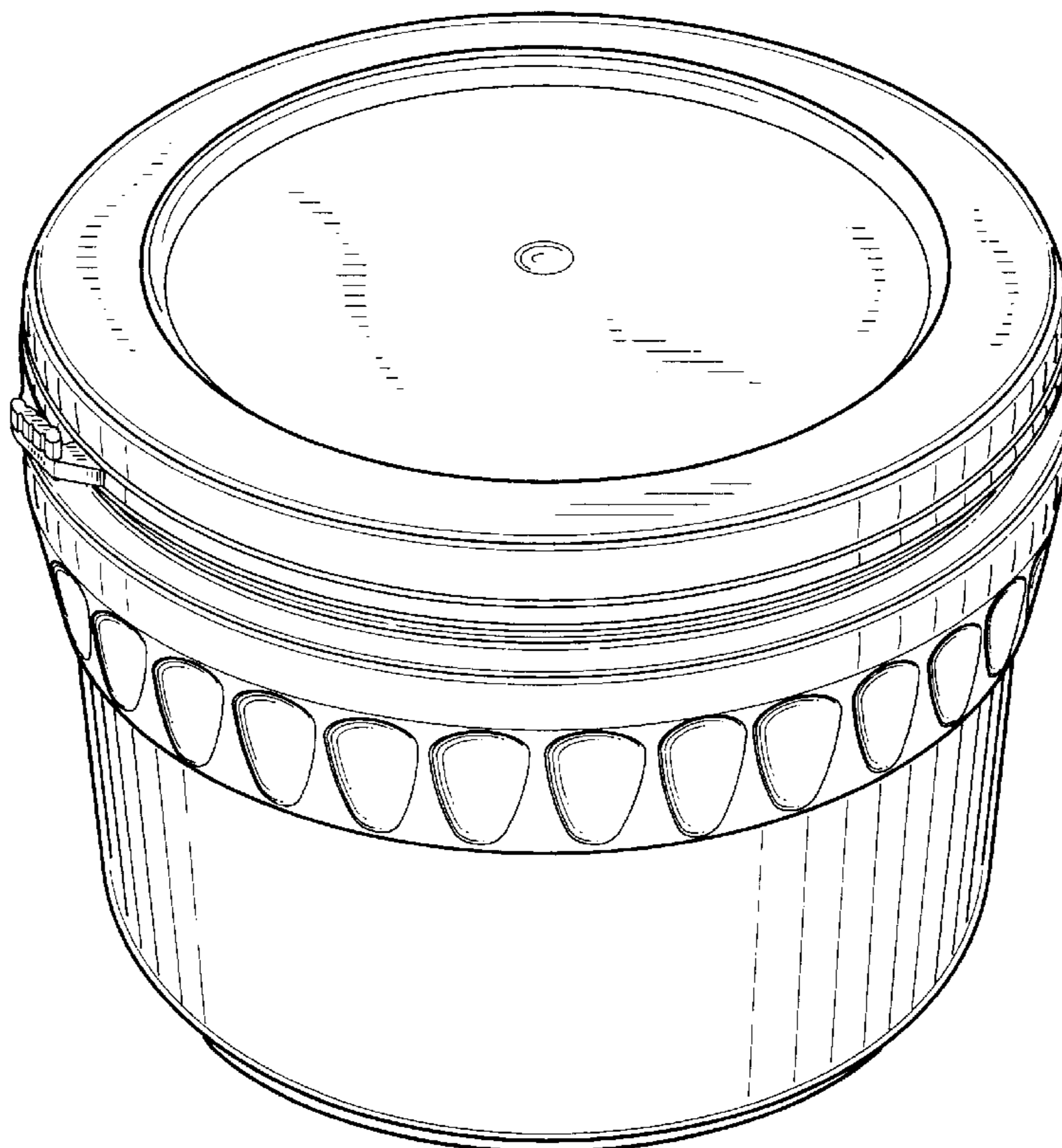


FIG. 1

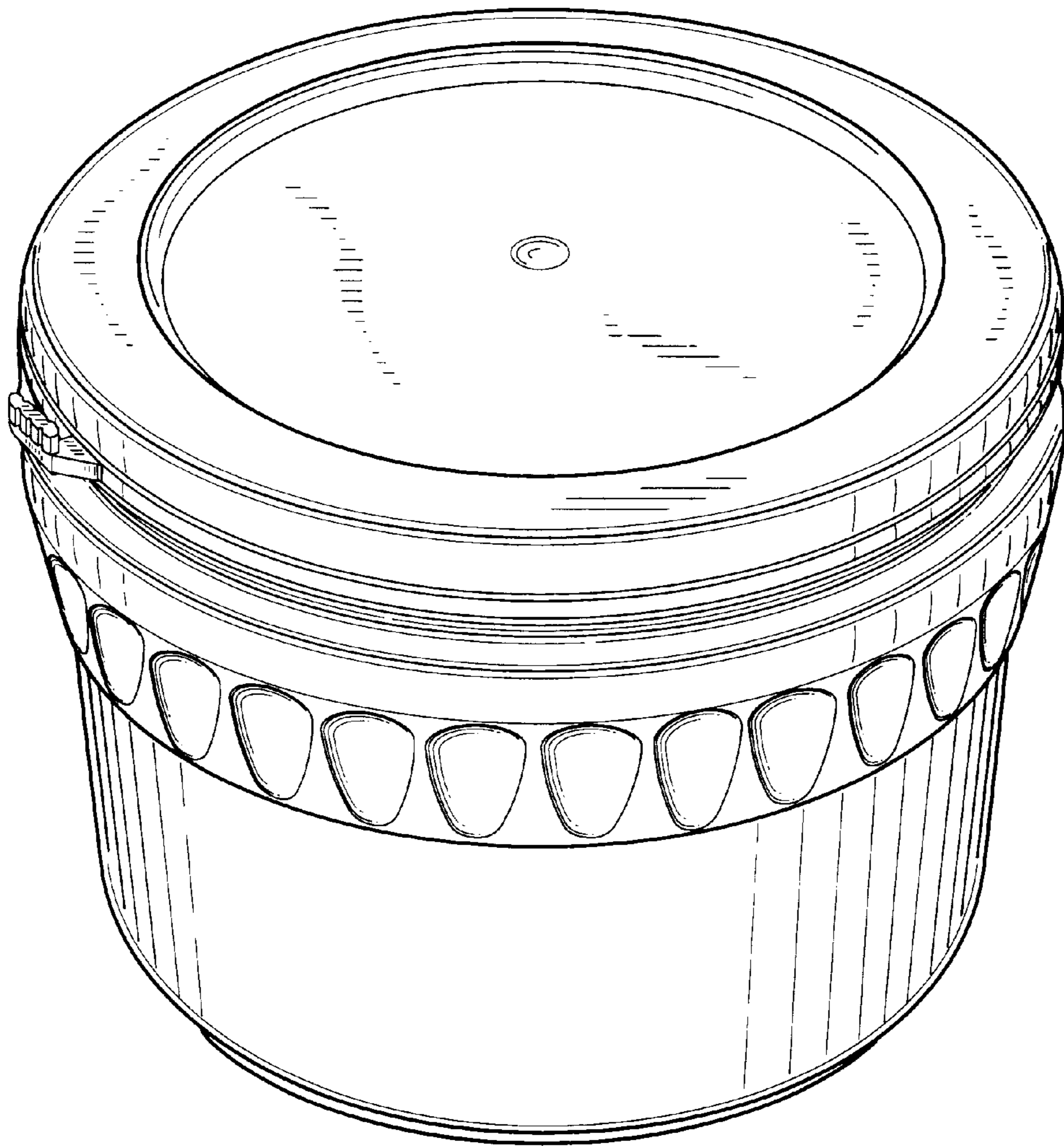


FIG. 2

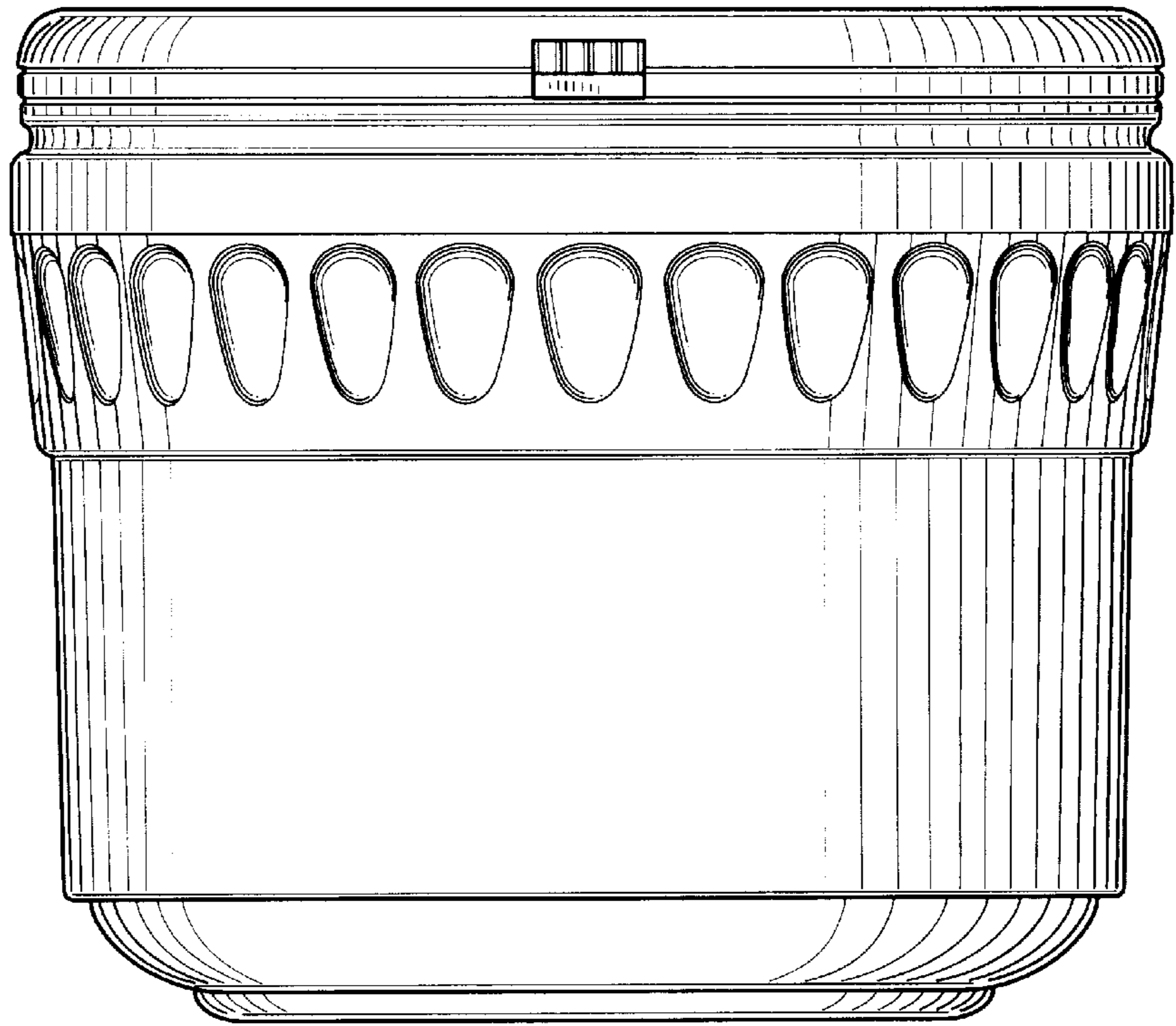


FIG. 3

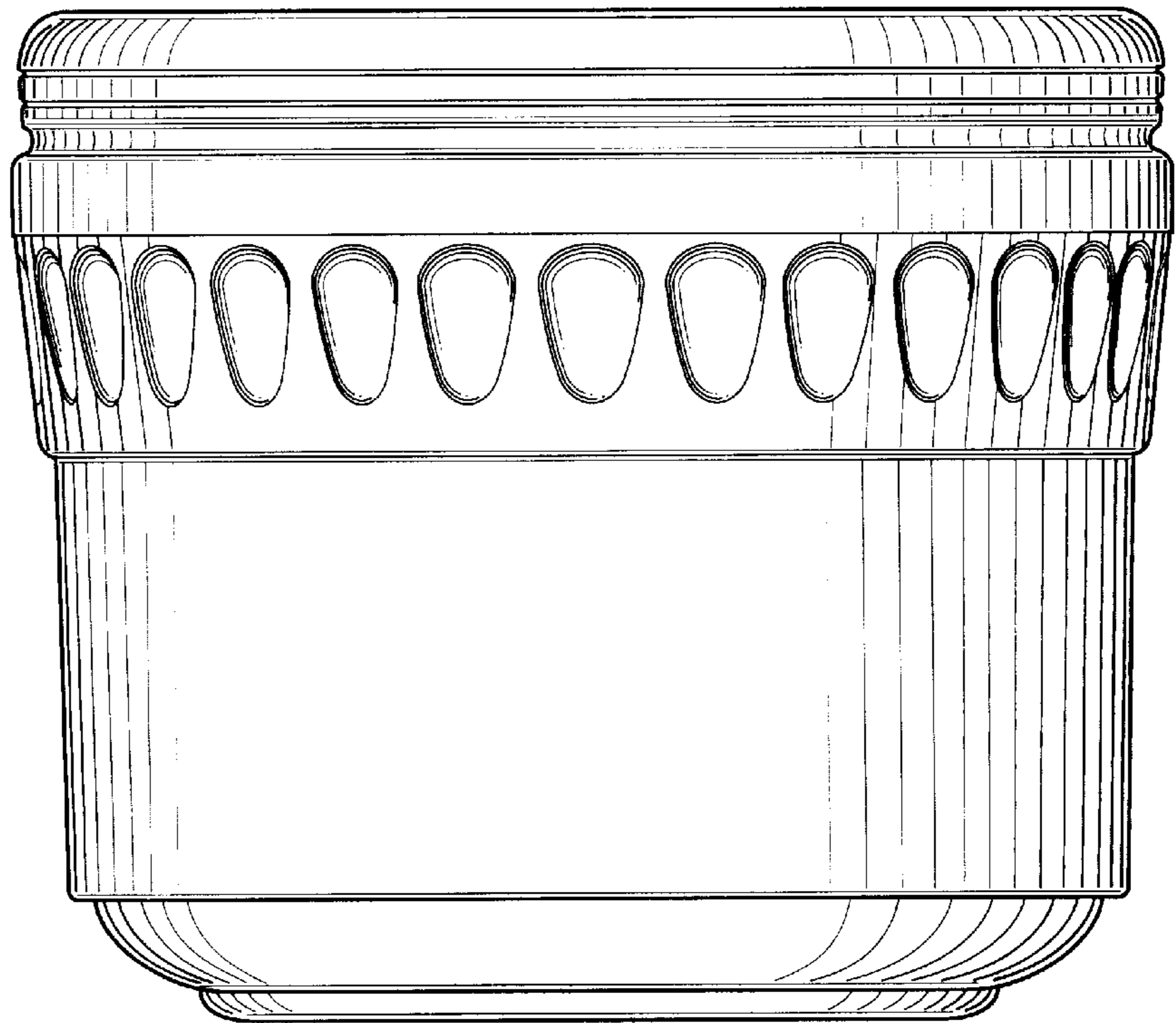


FIG. 4

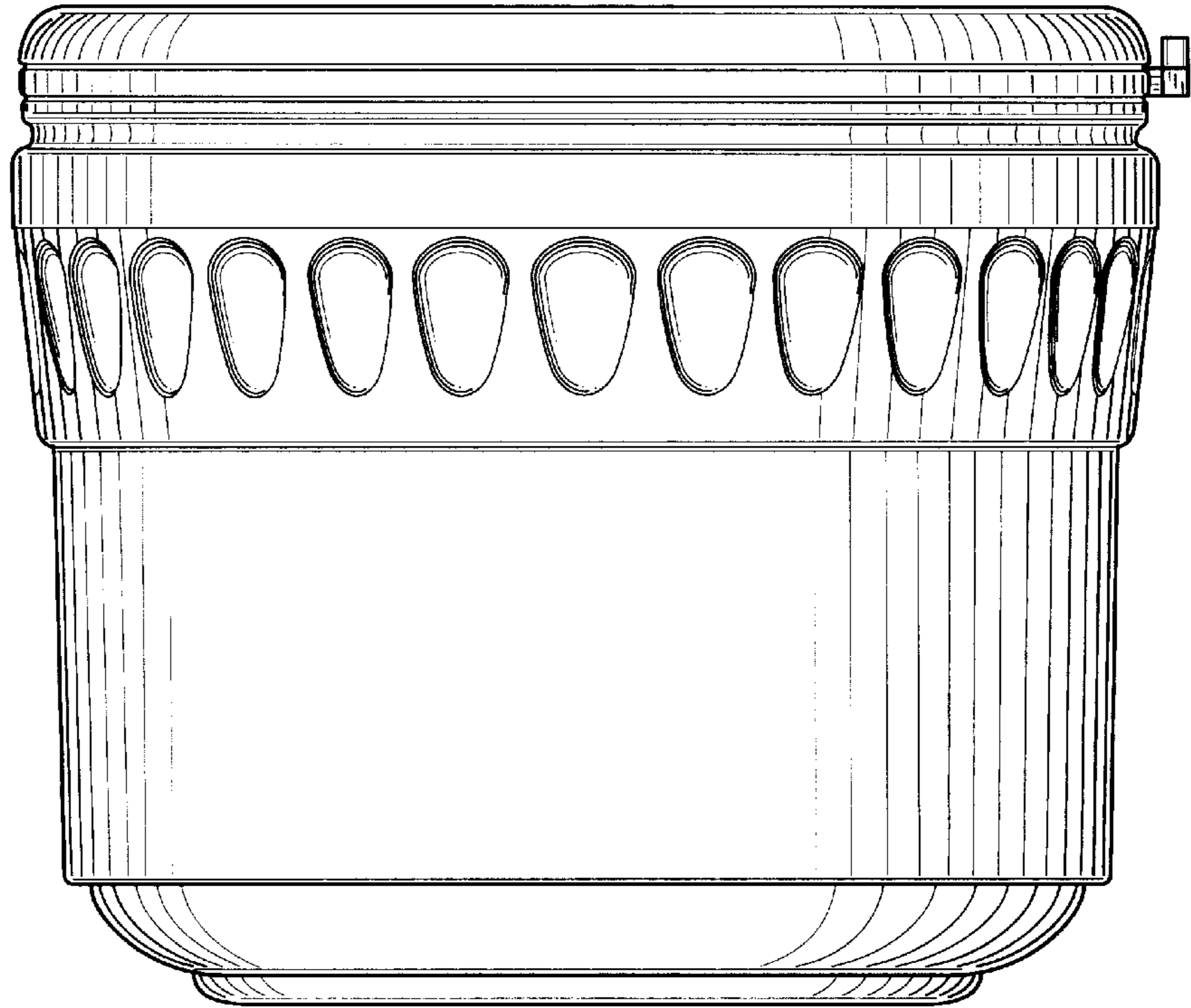


FIG. 5

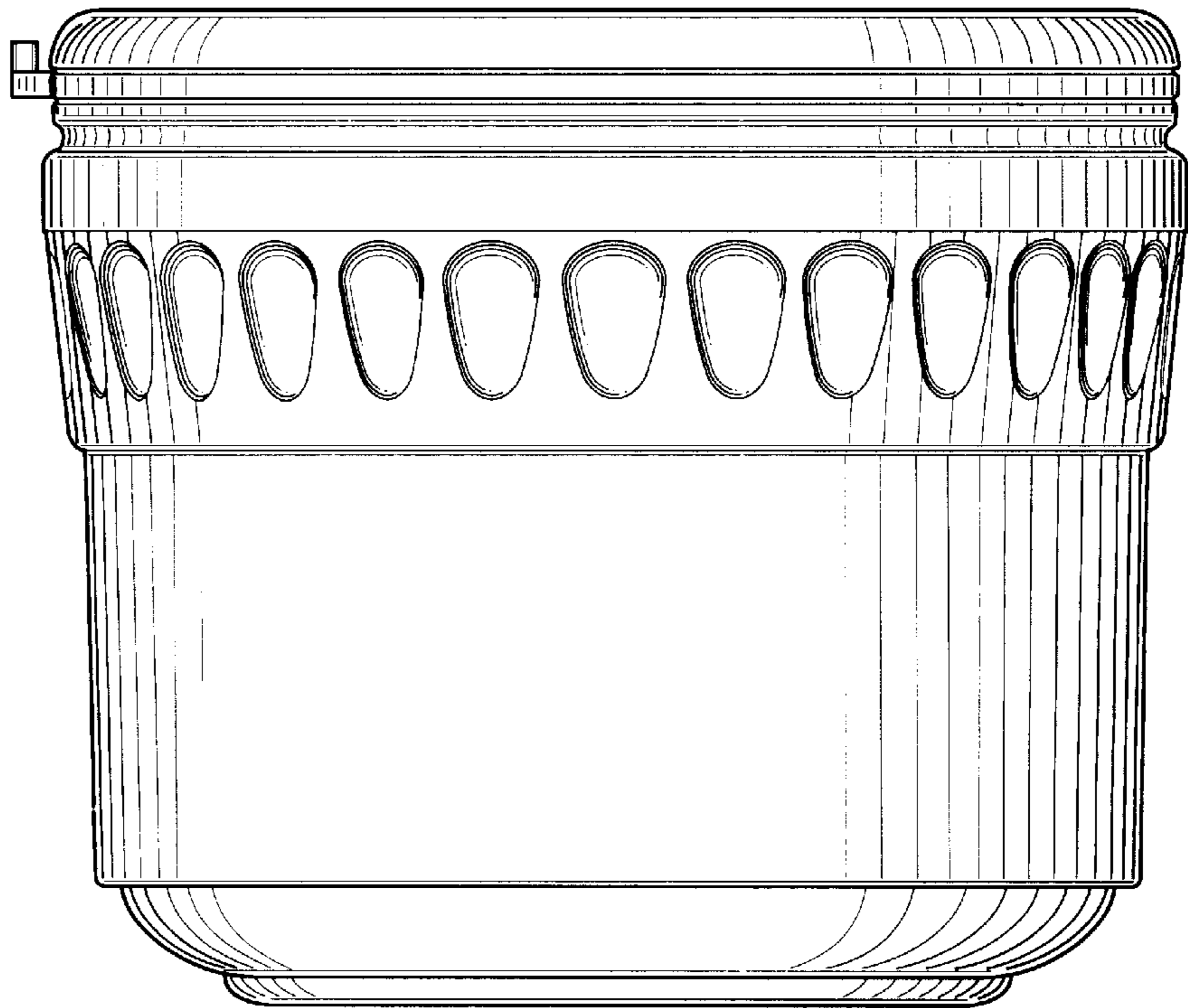


FIG. 6

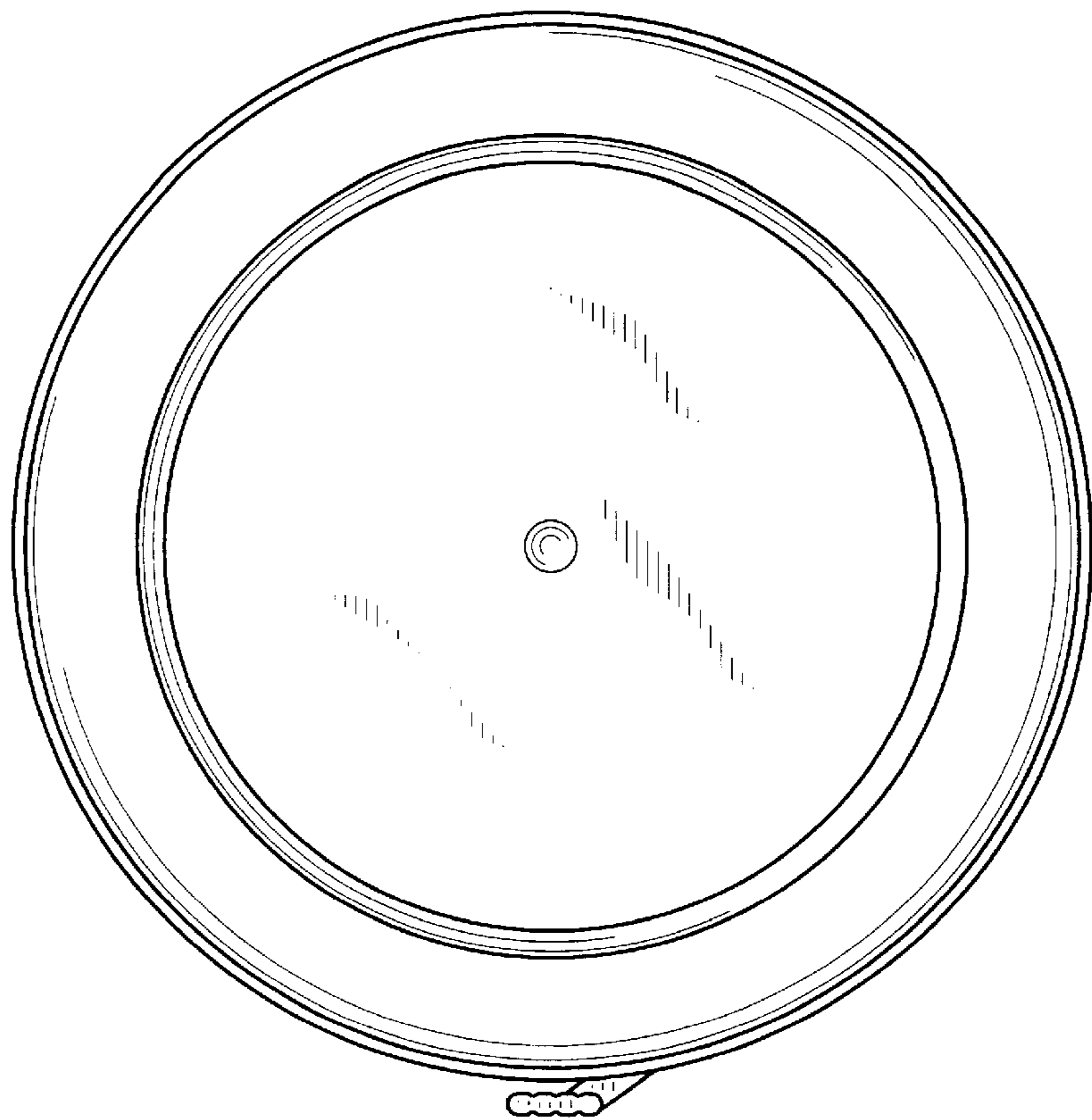


FIG. 7

