



US00D442854S

(12) **United States Design Patent**
Weber

(10) **Patent No.:** **US D442,854 S**

(45) **Date of Patent:** **** May 29, 2001**

(54) **PUMP CAP CONTAINER WITH SIDE FINGER GRIPS**

(76) **Inventor:** **Heinz Weber**, 64 Gables Court, Beaconsfield, Quebec (CA), H9W 5H4

(**) **Term:** **14 Years**

(21) **Appl. No.:** **29/123,368**

(22) **Filed:** **May 16, 2000**

(51) **LOC (7) Cl.** **09-01**

(52) **U.S. Cl.** **D9/300; D9/542**

(58) **Field of Search** D9/300, 503, 530, D9/539, 542, 558; 222/320, 321.1, 321.6, 321.7, 321.8, 321.9, 324, 372, 373, 378, 383.1, 383.3, 385

(56) **References Cited**

U.S. PATENT DOCUMENTS

- D. 318,424 * 7/1991 Kipperman et al. D9/558
- D. 322,756 * 12/1991 Kipperman et al. D9/558
- D. 344,230 * 2/1994 Bertolini D9/300
- D. 372,859 * 8/1996 Lathrop et al. D9/300
- D. 376,310 * 12/1996 Crawford D9/300
- D. 398,223 * 9/1998 Bertolini et al. D9/300

- D. 399,754 * 10/1998 Bertolini et al. D9/542
- D. 419,864 * 2/2000 Kuzma et al. D9/300
- D. 422,220 * 4/2000 Feen D9/542
- D. 425,795 * 5/2000 Feen D9/542 X
- D. 429,629 * 8/2000 Kuzma et al. D9/300

* cited by examiner

Primary Examiner—Cathron Brooks

(74) *Attorney, Agent, or Firm*—Eric Fincham

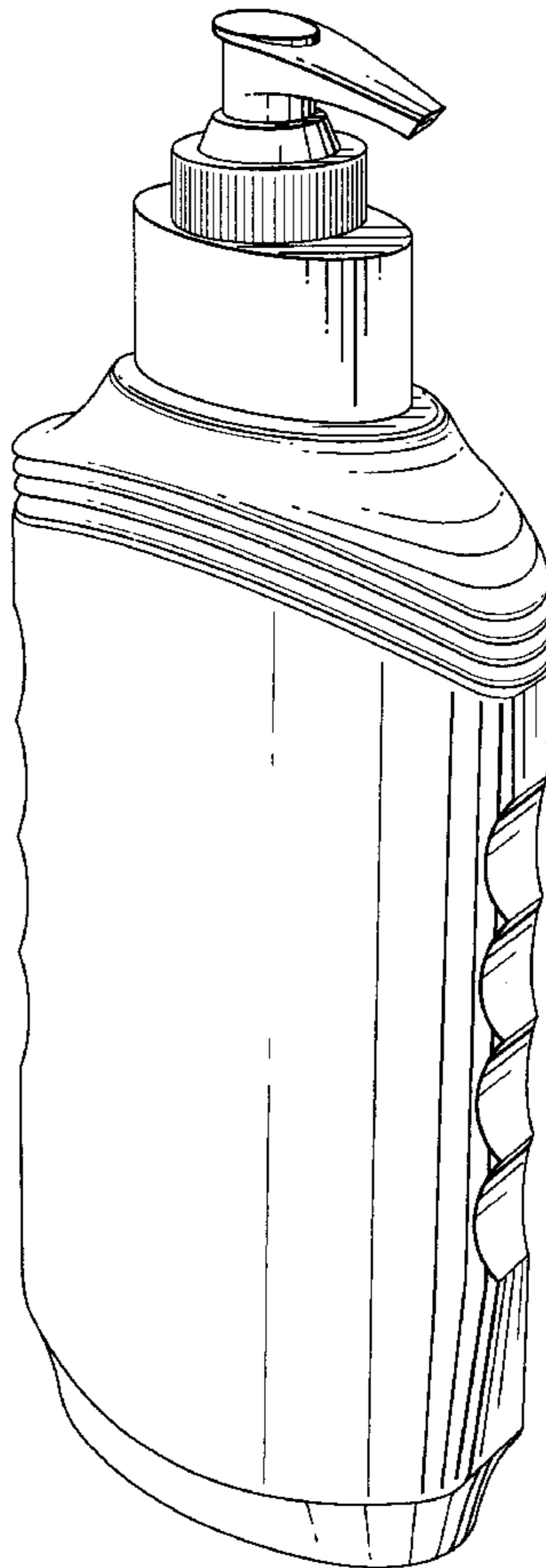
(57) **CLAIM**

The ornamental design for a pump cap container with side finger grips, as shown and described.

DESCRIPTION

- FIG. 1 is a perspective view of the container having side finger grips;
- FIG. 2 is a rear elevational view thereof;
- FIG. 3 is a side elevational view thereof as seen from the left hand side of FIG. 2;
- FIG. 4 is a side elevational view thereof as seen from the right hand side of FIG. 2;
- FIG. 5 is a front elevational view thereof;
- FIG. 6 is a top plan view thereof; and,
- FIG. 7 is a bottom plan view thereof.

1 Claim, 3 Drawing Sheets



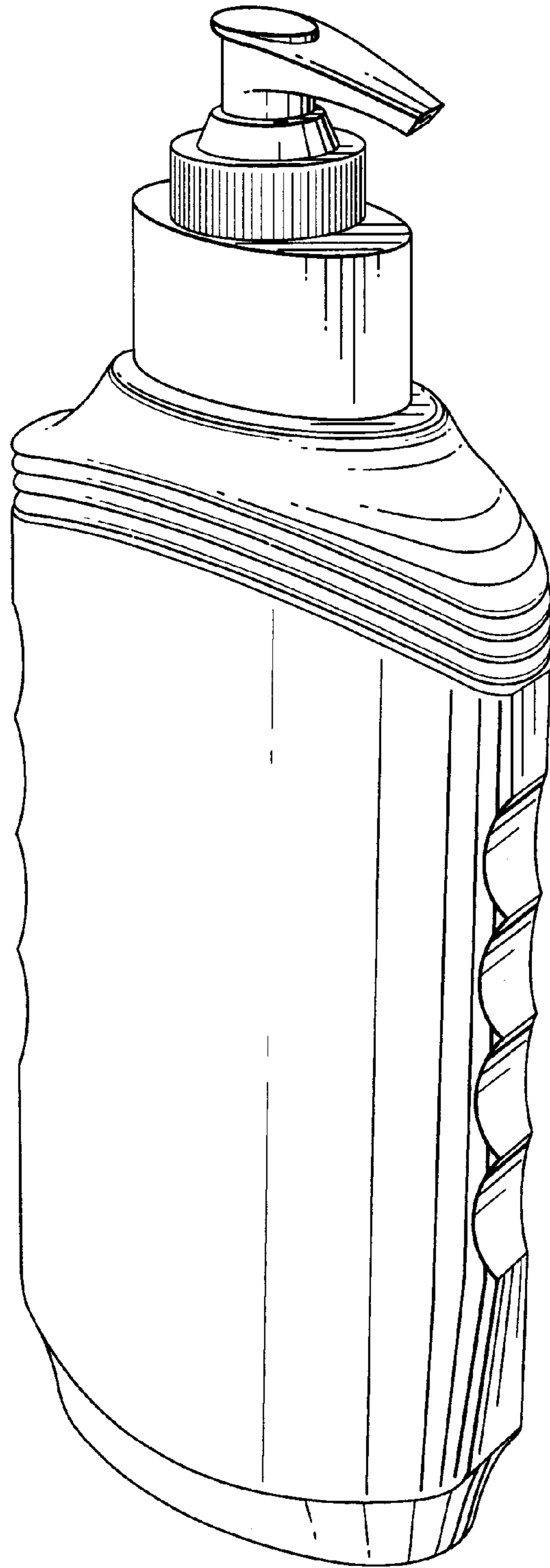


Fig. 1

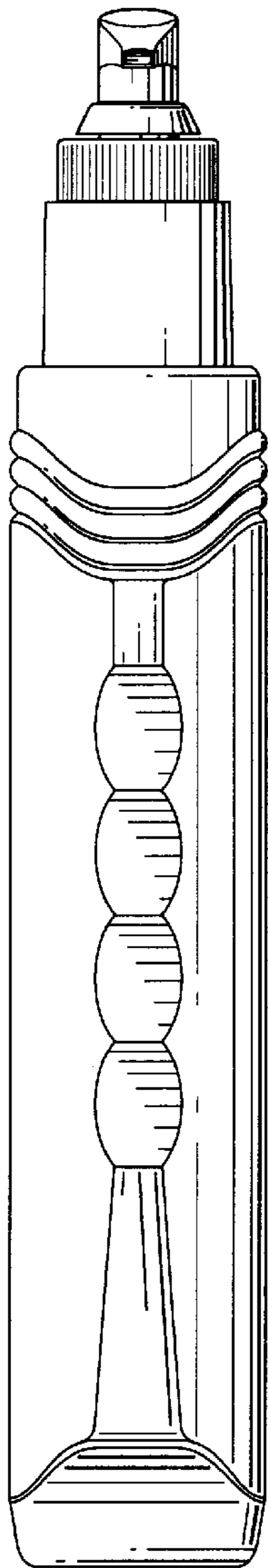


Fig. 4

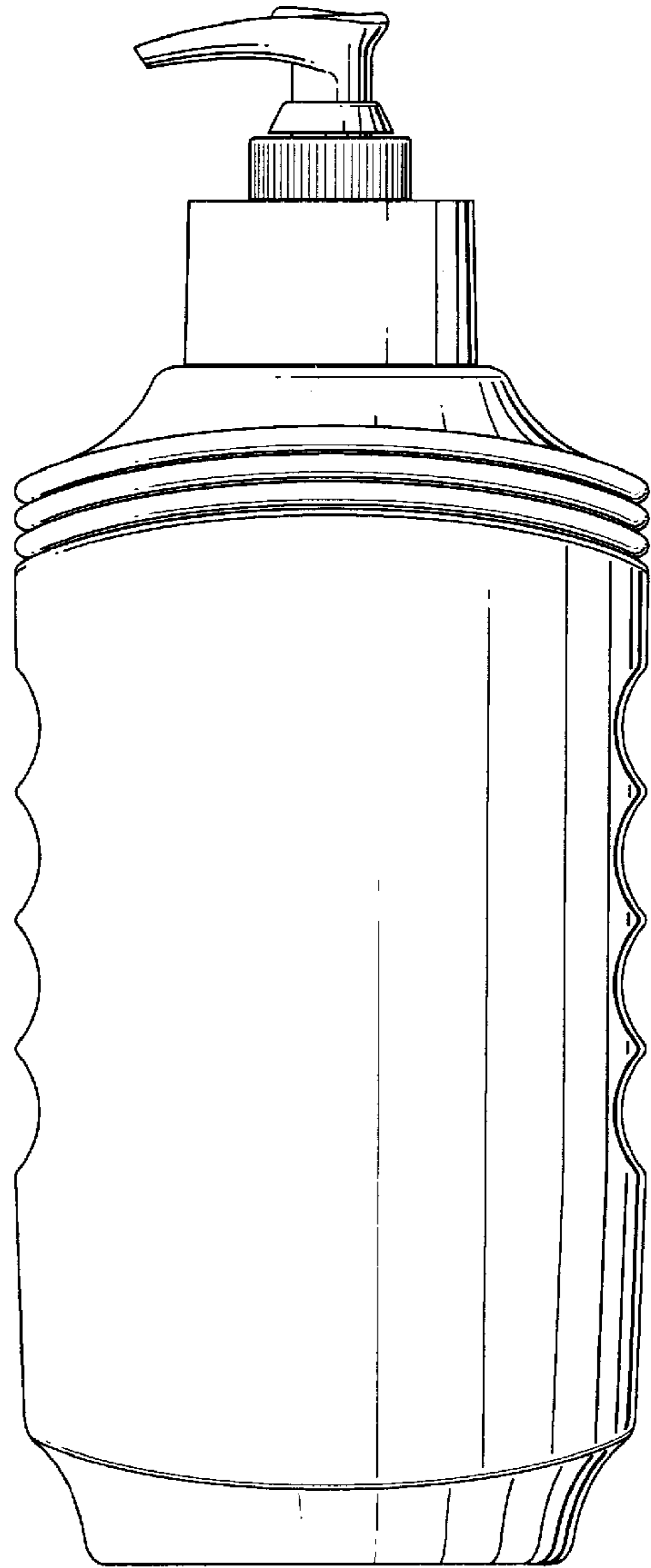


Fig. 5

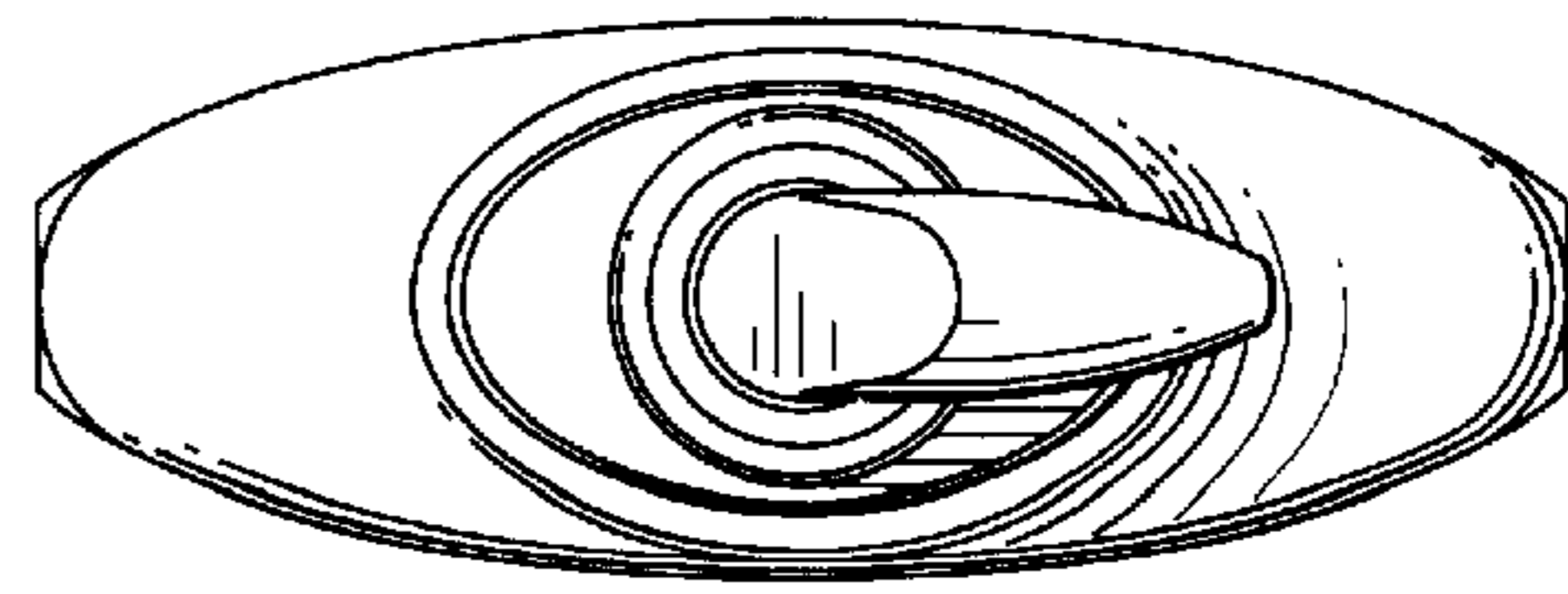


Fig. 6

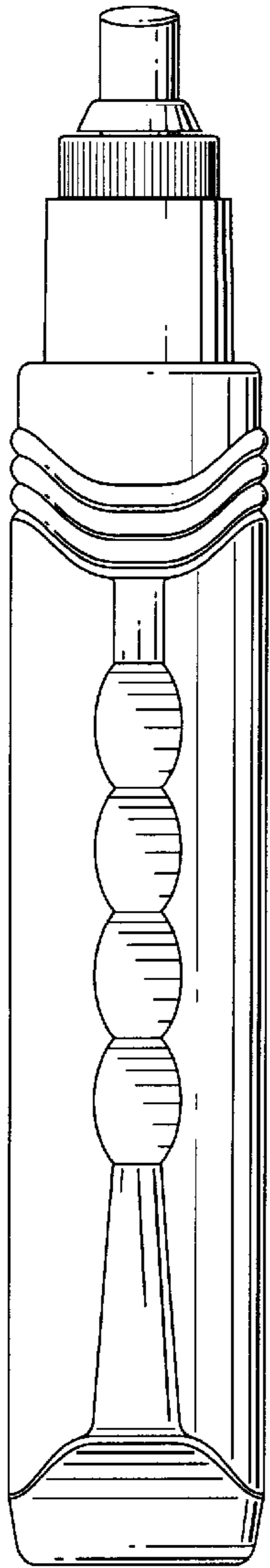


Fig. 3

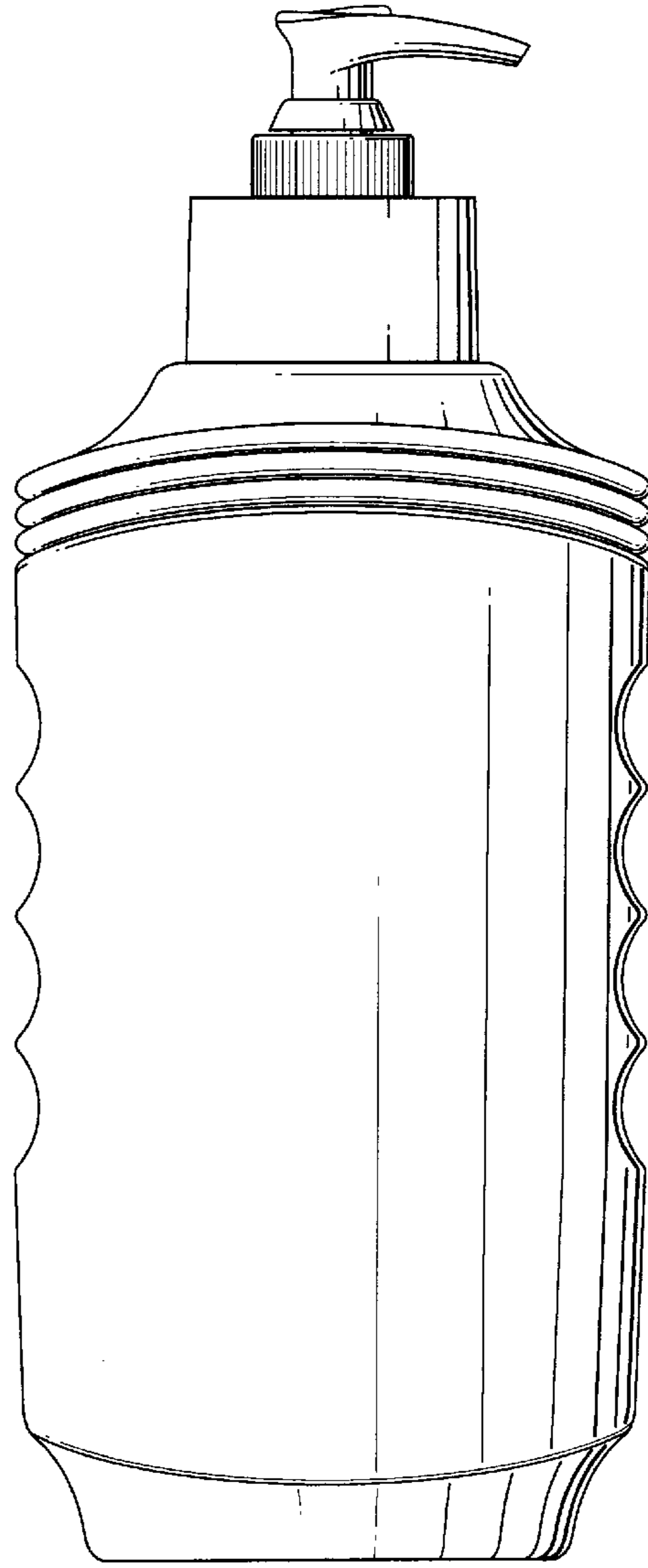


Fig. 2

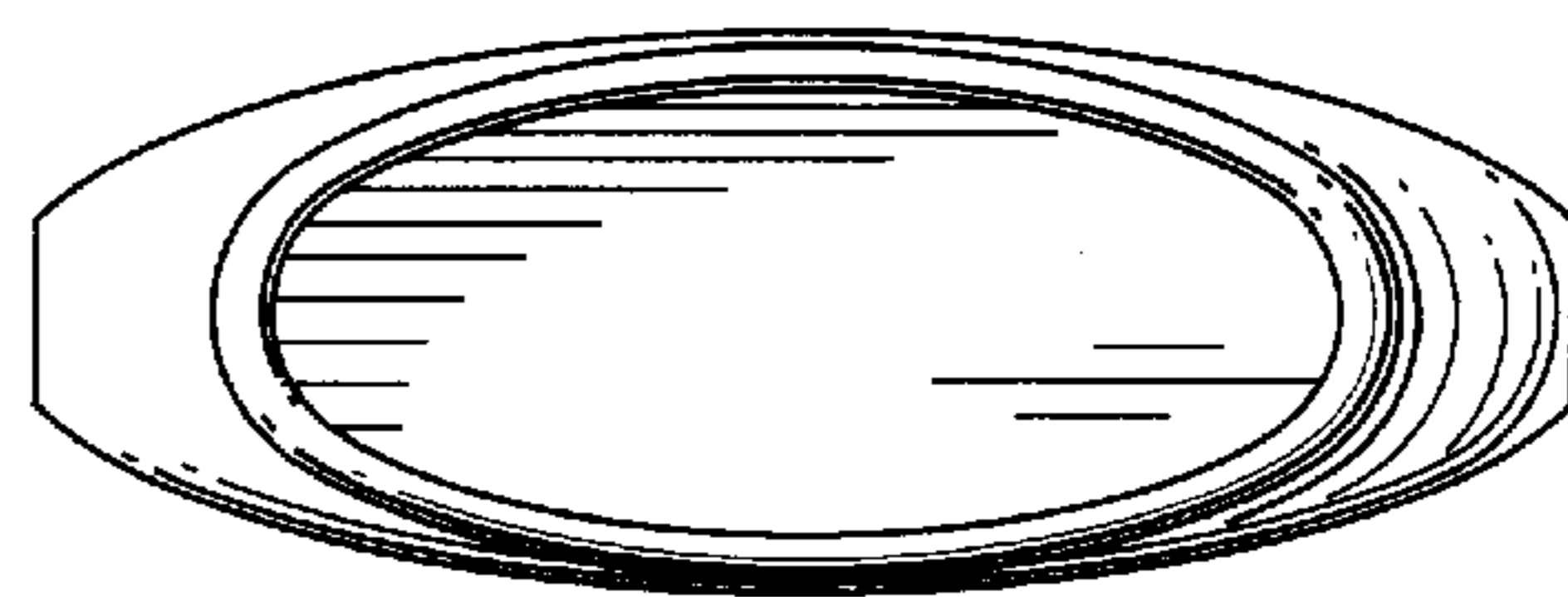


Fig. 7