



US00D442848S

(12) **United States Design Patent**
Schultz et al.

(10) **Patent No.:** **US D442,848 S**

(45) **Date of Patent:** **** May 29, 2001**

- (54) **TILT-LATCH**
- (75) Inventors: **Steven E. Schultz**, Rockford; **Kevin G. Short**, LaGrange, both of IL (US)
- (73) Assignee: **Ashland Products, Inc.**, Lowell, IN (US)
- (**) Term: **14 Years**
- (21) Appl. No.: **29/122,354**
- (22) Filed: **Apr. 25, 2000**
- (51) **LOC (7) Cl.** **08-07**
- (52) **U.S. Cl.** **D8/343**
- (58) **Field of Search** D8/331, 320, 336-338, D8/343, 353; 70/208; 292/DIG. 20, DIG. 30, DIG. 31, DIG. 47, 153, 175, 194, 200, 202, 230, 203, 163, 336.3

- 4,578,903 4/1986 Simpson .
- 4,581,850 4/1986 Simpson .
- 4,622,778 11/1986 Simpson .
- 4,640,048 2/1987 Winner et al. .
- 4,669,765 6/1987 Ullman .
- 4,790,579 12/1988 Maxwell et al. .
- 4,791,756 12/1988 Simpson .
- 4,824,154 4/1989 Simpson .
- 4,837,975 6/1989 Simpson .
- 4,901,475 2/1990 Simpson .
- 4,917,413 4/1990 Jason et al. .
- 5,028,083 7/1991 Mischenko .
- 5,068,932 12/1991 Chang .
- 5,096,240 3/1992 Schultz .
- 5,121,951 6/1992 Harbom et al. .
- 5,121,952 6/1992 Jason .
- 5,139,291 8/1992 Schultz .
- 5,165,737 11/1992 Riegelman .
- 5,301,989 4/1994 Dallmann et al. .
- 5,536,052 7/1996 Maier .

(List continued on next page.)

(56) **References Cited**
U.S. PATENT DOCUMENTS

16,228	12/1856	Copeland .
D. 313,161	12/1990	Westphal et al. .
D. 371,502	7/1996	Morris .
D. 380,137	6/1997	Carlson et al. .
D. 380,370	7/1997	Carlson et al. .
D. 411,094	6/1999	Schultz .
D. 411,095	6/1999	Schultz .
D. 411,797	7/1999	Schultz .
D. 414,674	10/1999	Schultz .
D. 415,671	10/1999	Schultz .
D. 416,468	11/1999	Schultz .
D. 416,780	11/1999	Schultz .
1,781,729	11/1930	Major .
2,568,273	9/1951	Clark .
2,965,935	12/1960	Olsen .
3,080,621	3/1963	Mendelsohn .
3,122,797	3/1964	Segre .
3,841,674	10/1974	Bisbing et al. .
4,167,835	9/1979	Nobes et al. .
4,400,026	8/1983	Brown, Jr. .
4,475,311	10/1984	Gibson .
4,553,353	11/1985	Simpson .

Primary Examiner—Susan J. Lucas
Assistant Examiner—Jennifer Rivard
(74) *Attorney, Agent, or Firm*—Wallenstein & Wagner, Ltd.

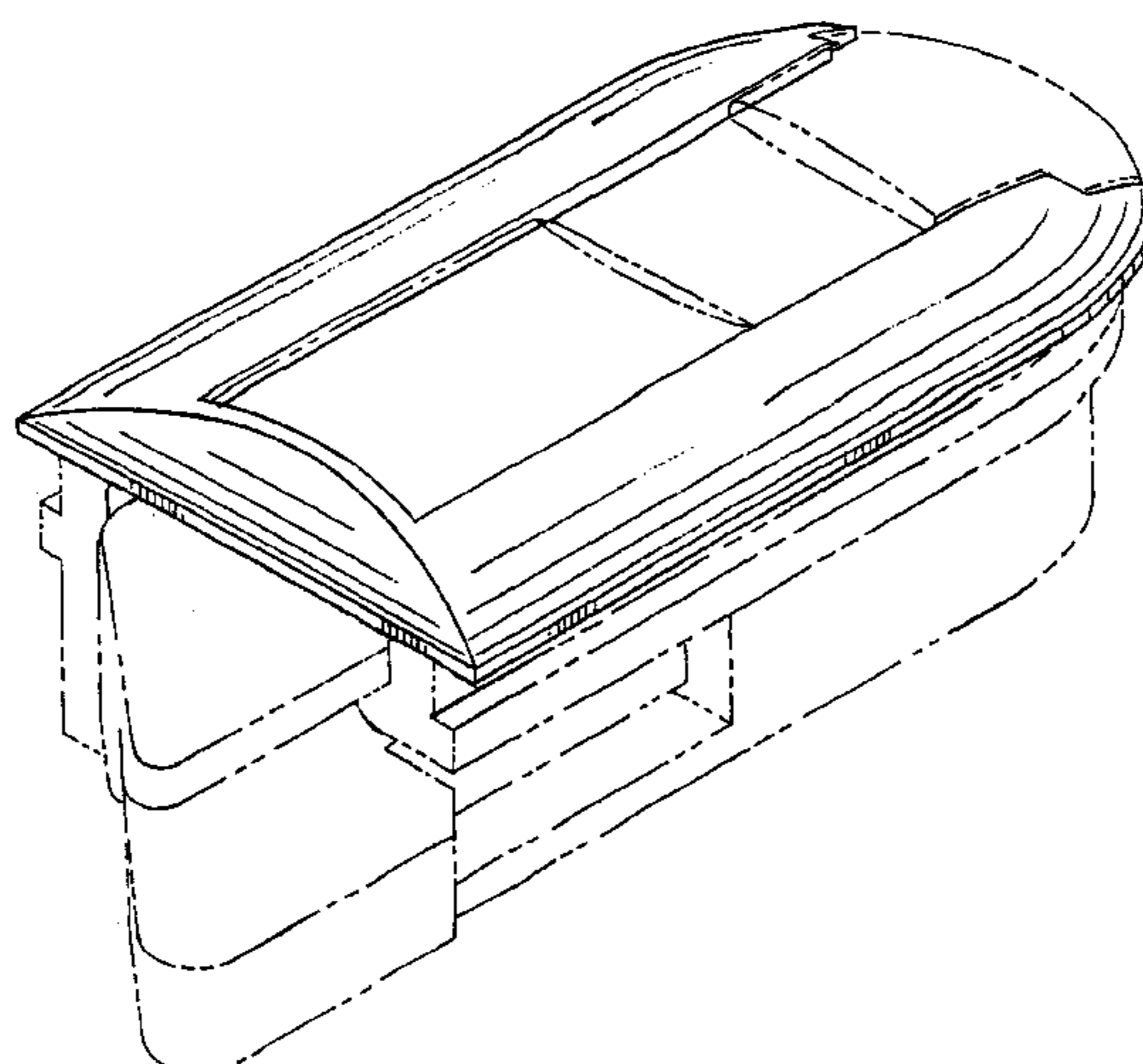
(57) **CLAIM**

We claim the ornamental design for a tilt-latch, as shown and described.

DESCRIPTION

FIG. 1 is a perspective view of a tilt-latch, embodying the new design;
FIG. 2 is a top plan view of the tilt-latch;
FIG. 3 is a side elevational view of the tilt-latch, the other side elevational view of the claimed design being symmetrical;
FIG. 4 is a rear elevational view of the tilt-latch; and,
FIG. 5 is a front elevational view of the tilt-latch.
Portions shown in broken lines are for illustrative purposes only and form no part of the claimed design.
The underside of the tilt-latch is plain and unornamented.

1 Claim, 1 Drawing Sheet



US D442,848 S

Page 2

U.S. PATENT DOCUMENTS

5,618,067	4/1997	Carlson et al. .	5,996,283	12/1999	Maier .	
5,669,639	9/1997	Lawrence .	6,021,603	2/2000	Prete et al. .	
5,671,958	9/1997	Szapucki et al. .	6,050,618	* 4/2000	Tieu	292/175
5,806,900	9/1998	Bratcher et al. .	6,155,615	* 12/2000	Schultz	292/163
5,970,656	10/1999	Maier .				

* cited by examiner

FIG.1

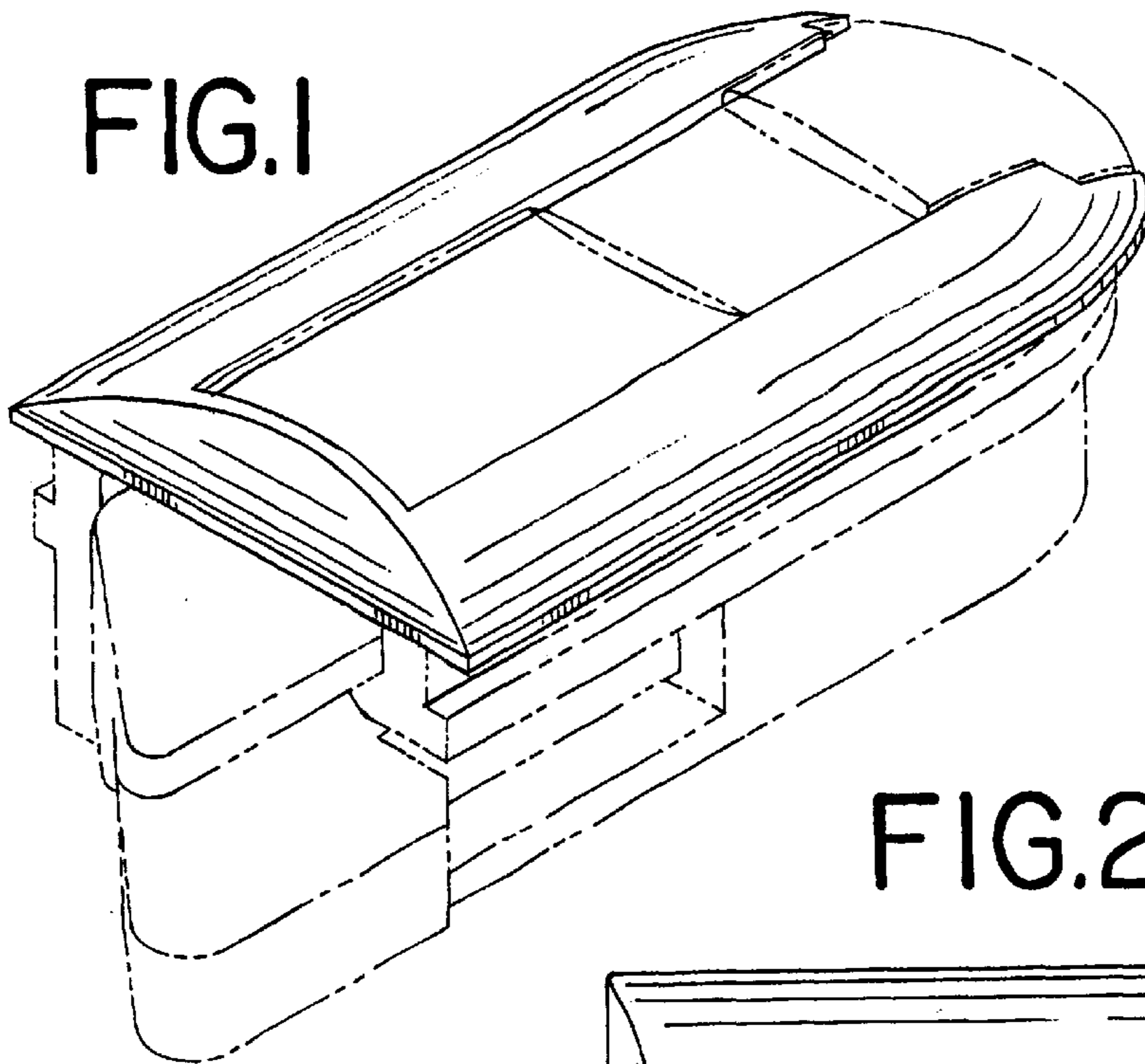


FIG.2

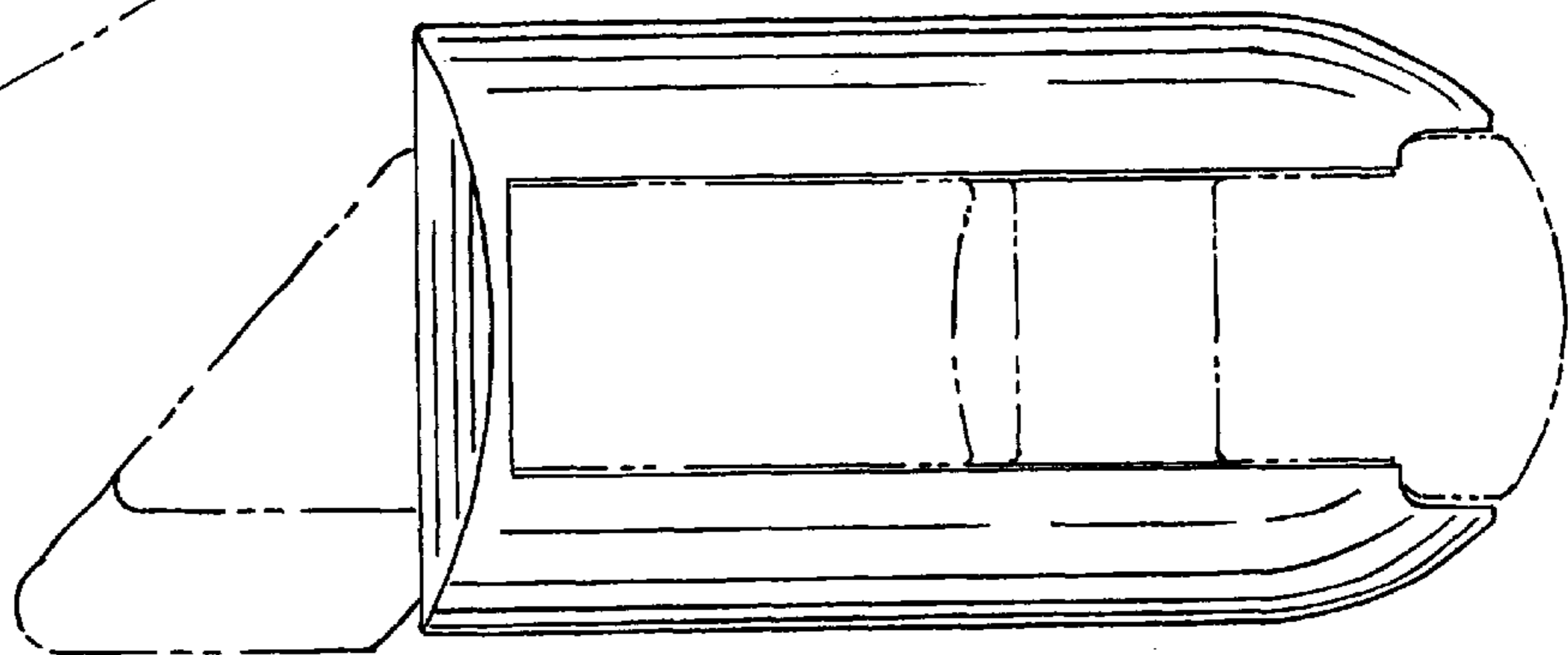


FIG.3

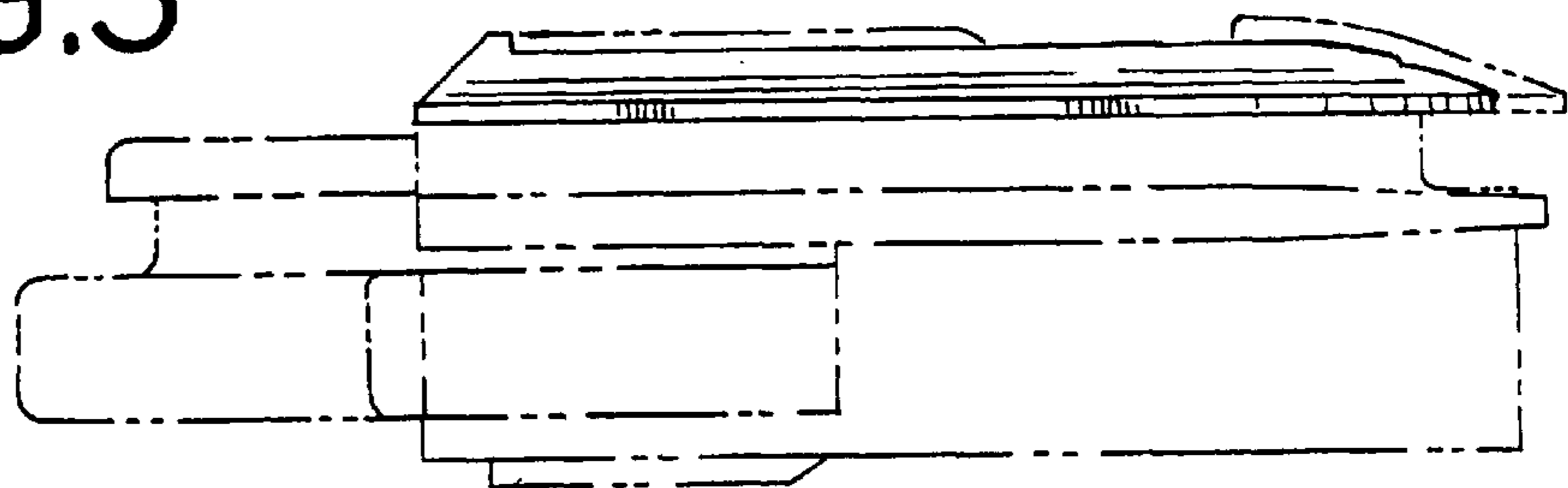


FIG.4

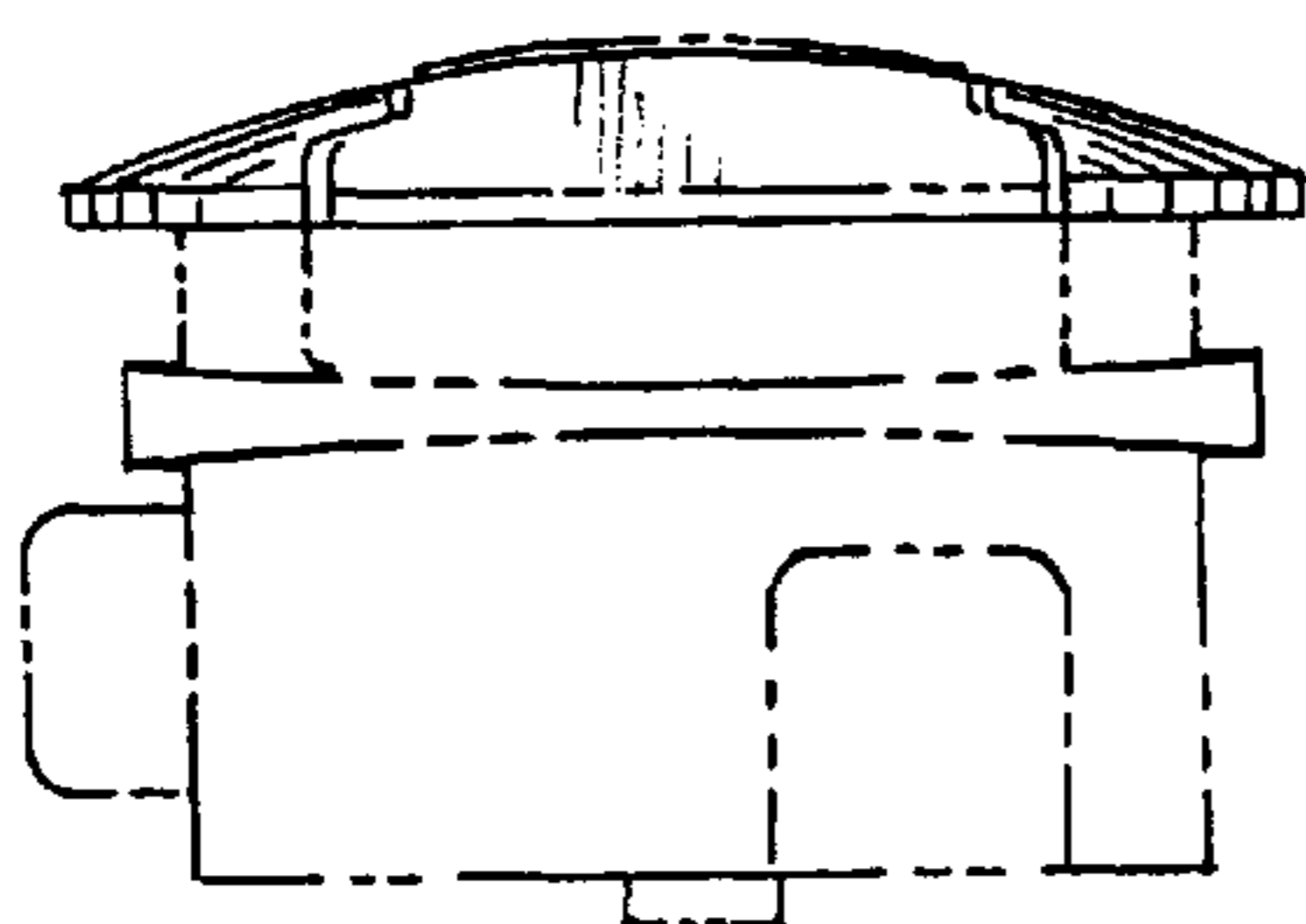


FIG.5

