



US00D442847S

(12) **United States Design Patent**
Schultz et al.

(10) **Patent No.:** **US D442,847 S**

(45) **Date of Patent:** **** May 29, 2001**

- (54) **TILT-LATCH**
- (75) Inventors: **Steven E. Schultz**, Rockford; **Kevin G. Short**, LaGrange, both of IL (US)
- (73) Assignee: **Ashland Products, Inc.**, Lowell, IN (US)
- (**) Term: **14 Years**
- (21) Appl. No.: **29/122,349**
- (22) Filed: **Apr. 25, 2000**
- (51) **LOC (7) Cl.** **08-07**
- (52) **U.S. Cl.** **D8/343**
- (58) **Field of Search** D8/330, 331, 336-338, D8/343; 292/DIG. 2, DIG. 30, DIG. 31, DIG. 47, 153, 175, 194, 200, 202, 203, 230, 163, 336.3; 70/208; 49/181

- 4,581,850 4/1986 Simpson .
- 4,622,778 11/1986 Simpson .
- 4,640,048 2/1987 Winner et al. .
- 4,669,765 6/1987 Ullman .
- 4,790,579 12/1988 Maxwell et al. .
- 4,791,756 12/1988 Simpson .
- 4,824,154 4/1989 Simpson .
- 4,837,975 6/1989 Simpson .
- 4,901,475 2/1990 Simpson .
- 4,917,413 4/1990 Jason et al. .
- 5,028,083 7/1991 Mischenko .
- 5,068,932 12/1991 Chang .
- 5,096,240 3/1992 Schultz .
- 5,121,951 6/1992 Harbom et al. .
- 5,121,952 6/1992 Jason .
- 5,139,291 8/1992 Schultz .
- 5,165,737 11/1992 Riegelman .
- 5,301,989 4/1994 Dallmann et al. .
- 5,536,052 7/1996 Maier .
- 5,618,067 4/1997 Carlson et al. .

(List continued on next page.)

(56) **References Cited**
U.S. PATENT DOCUMENTS

- 16,228 12/1856 Copeland .
- D. 313,161 12/1990 Westphal et al. .
- D. 371,502 7/1996 Morris .
- D. 380,137 6/1997 Carlson et al. .
- D. 380,370 7/1997 Carlson et al. .
- D. 411,095 6/1999 Schultz .
- D. 411,194 6/1999 Schultz .
- D. 411,797 7/1999 Schultz .
- D. 414,674 10/1999 Schultz .
- D. 415,671 10/1999 Schultz .
- D. 416,468 11/1999 Schultz .
- D. 416,780 11/1999 Schultz .
- 1,781,729 11/1930 Major .
- 2,568,273 9/1951 Clark .
- 2,965,935 12/1960 Olsen .
- 3,080,621 3/1963 Mendelsohn .
- 3,122,797 3/1964 Segre .
- 3,841,674 10/1974 Bisbing et al. .
- 4,167,835 9/1979 Nobes et al. .
- 4,400,026 8/1983 Brown, Jr. .
- 4,475,311 10/1984 Gibson .
- 4,553,353 11/1985 Simpson .
- 4,578,903 4/1986 Simpson .

Primary Examiner—Susan J. Lucas
Assistant Examiner—Jennifer Rivard
(74) *Attorney, Agent, or Firm*—Wallenstein & Wagner, Ltd.

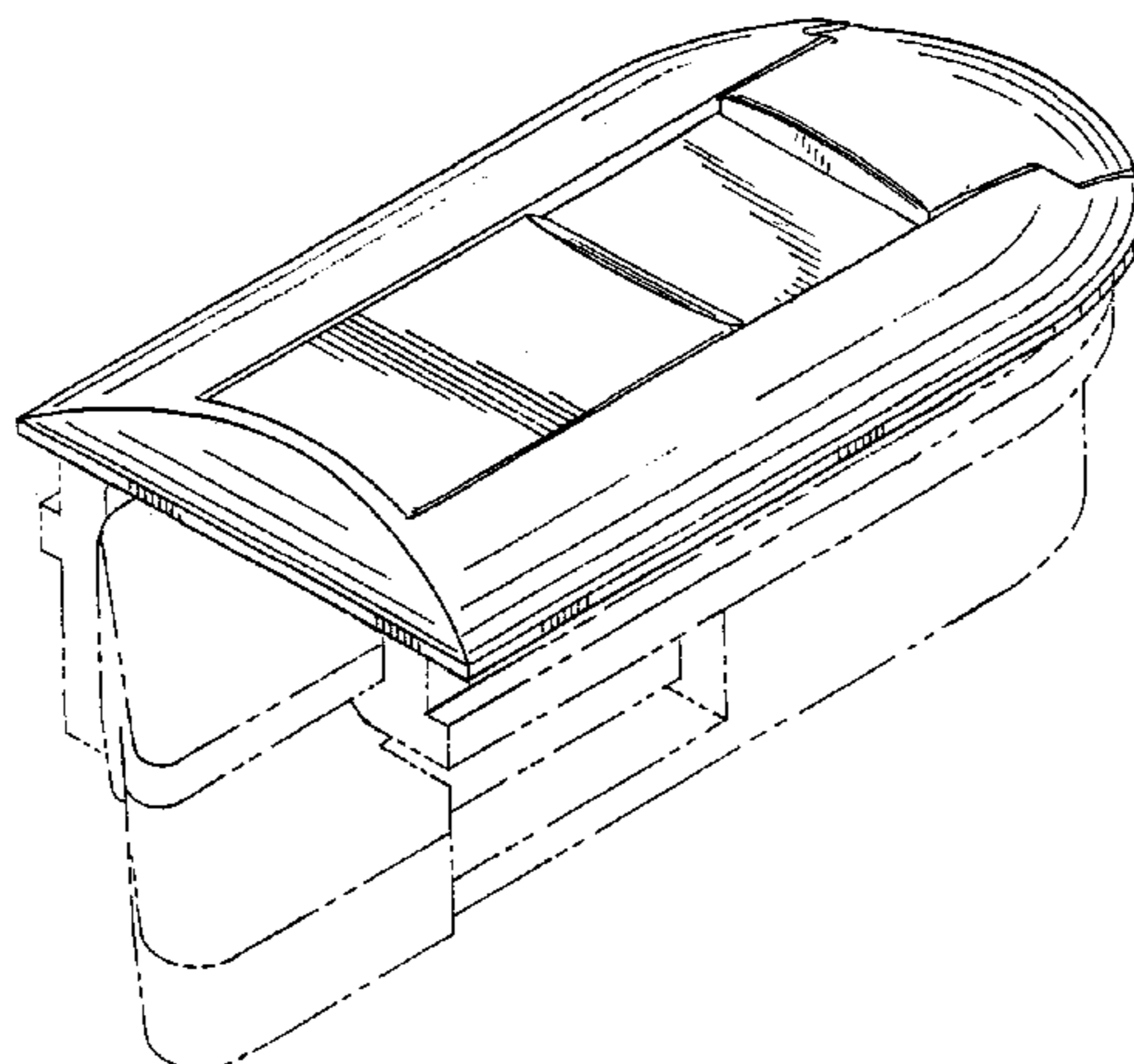
(57) **CLAIM**

We claim the ornamental design for a tilt-latch, as shown and described.

DESCRIPTION

FIG. 1 is a perspective view of a tilt-latch, embodying the new design;
FIG. 2 is a top plan view of the tilt-latch;
FIG. 3 is a side elevational view of the tilt-latch, the other side elevational view of the claimed design being symmetrical;
FIG. 4 is a rear elevational view of the tilt-latch; and,
FIG. 5 is a front elevational view of the tilt-latch.
Portions shown in broken lines are for illustrative purposes only and form no part of the claimed design.
The underside of the tilt-latch is plain and unornamented.

1 Claim, 1 Drawing Sheet



US D442,847 S

Page 2

U.S. PATENT DOCUMENTS

5,669,639	9/1997	Lawrence .	5,996,283	12/1999	Maier .	
5,671,958	9/1997	Szapucki et al. .	6,021,603	2/2000	Prete et al. .	
5,806,900	9/1998	Bratcher et al. .	6,050,618	* 4/2000	Tieu	292/175
5,970,656	10/1999	Maier .	6,155,615	* 12/2000	Schultz	292/163

* cited by examiner

FIG.1

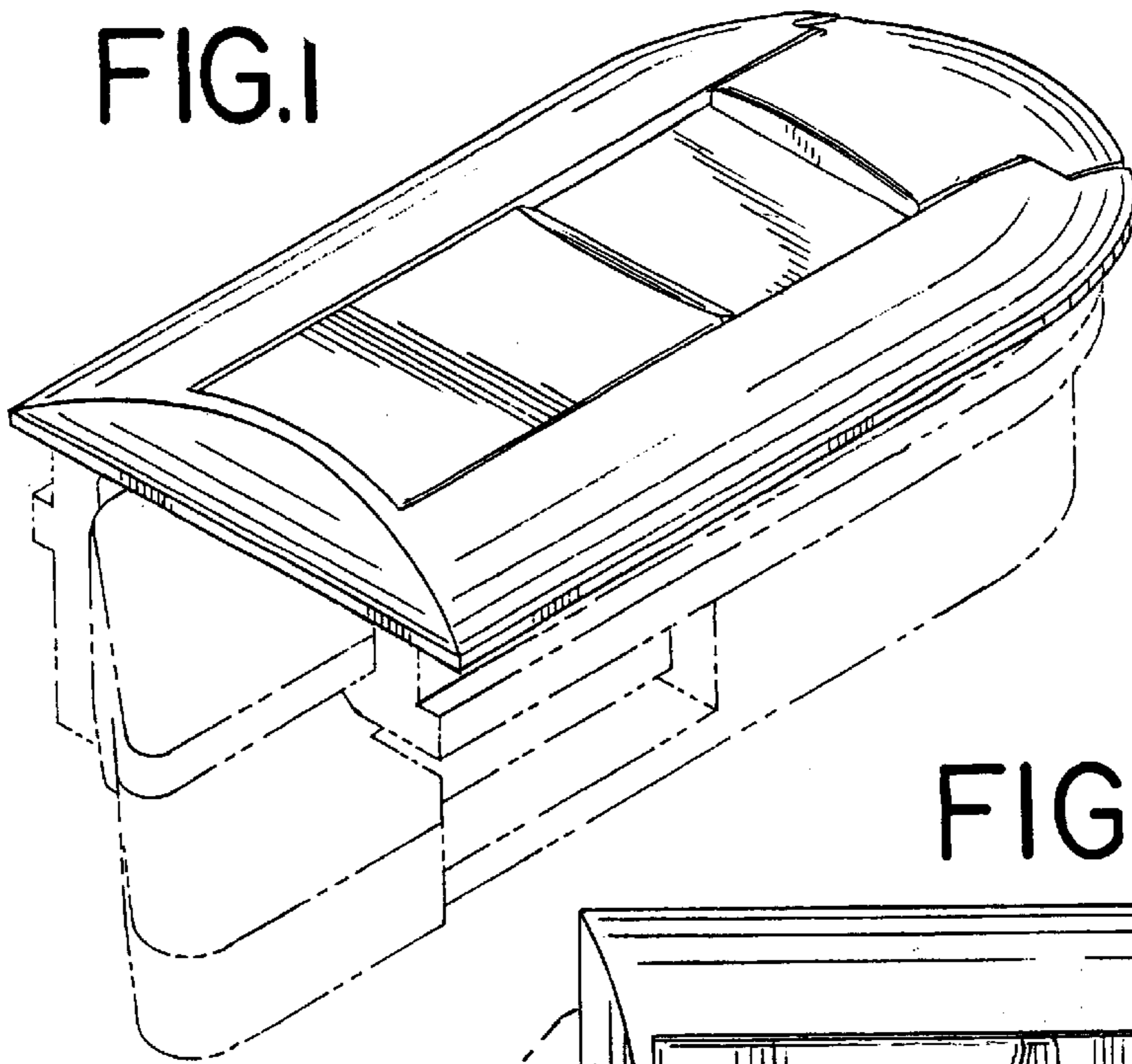


FIG.2

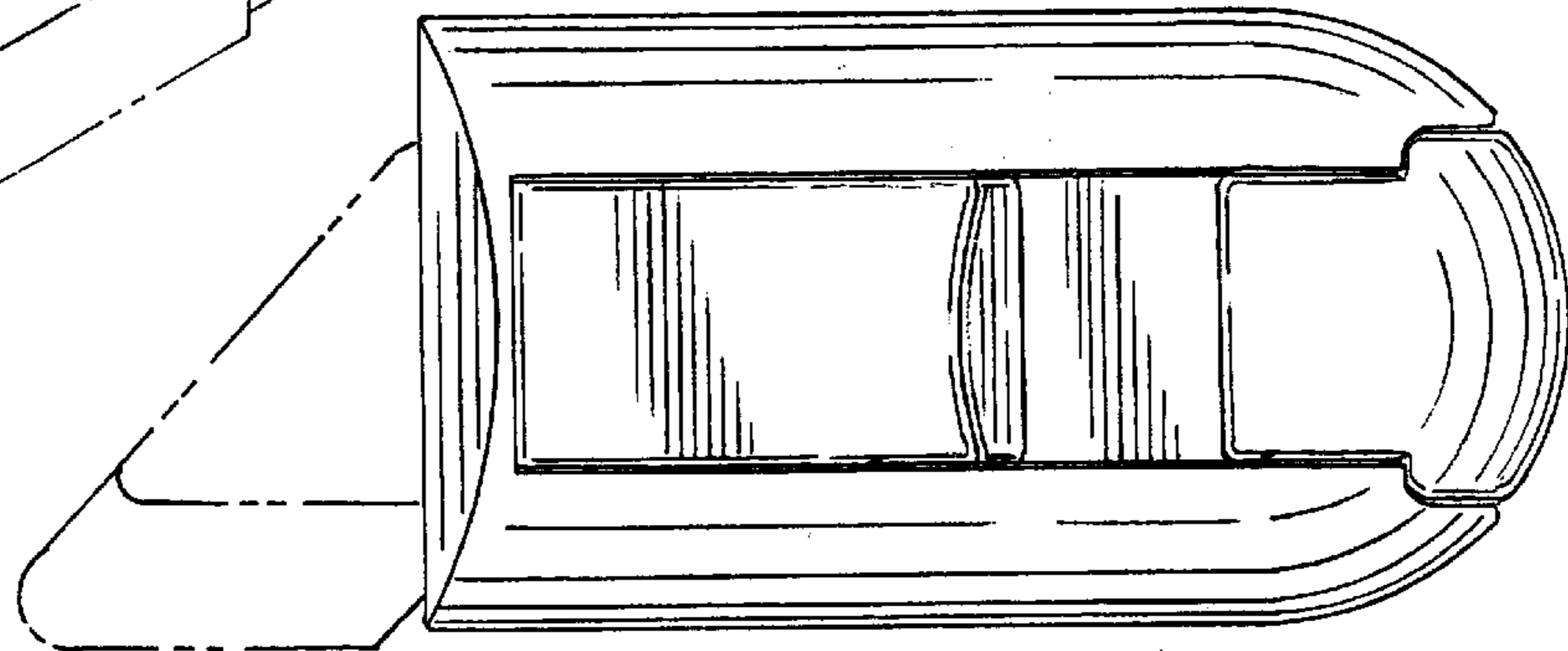


FIG.3

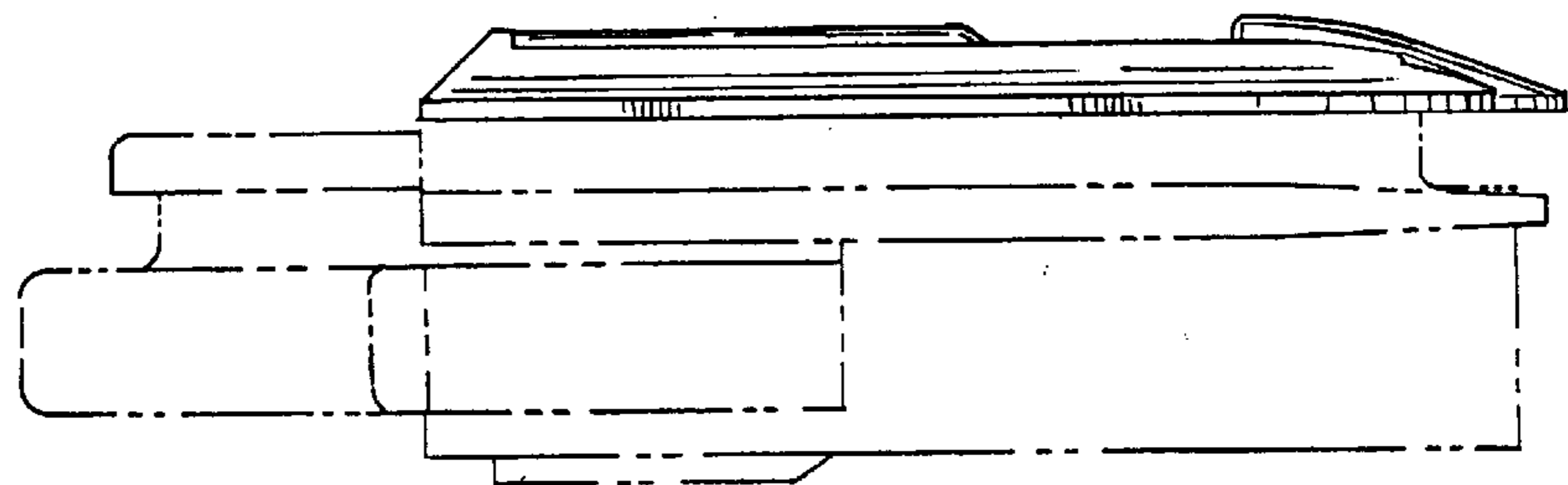


FIG.4

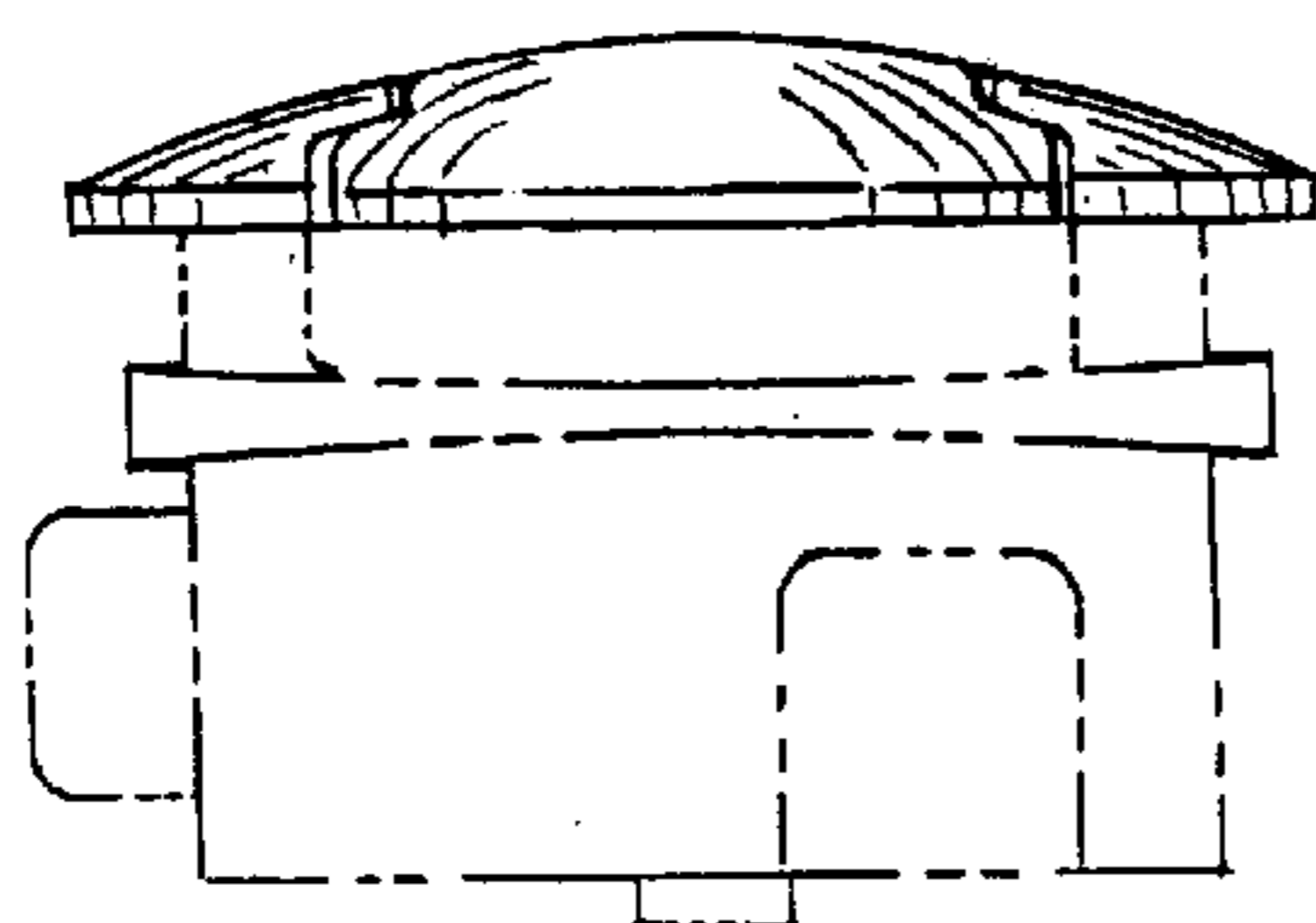
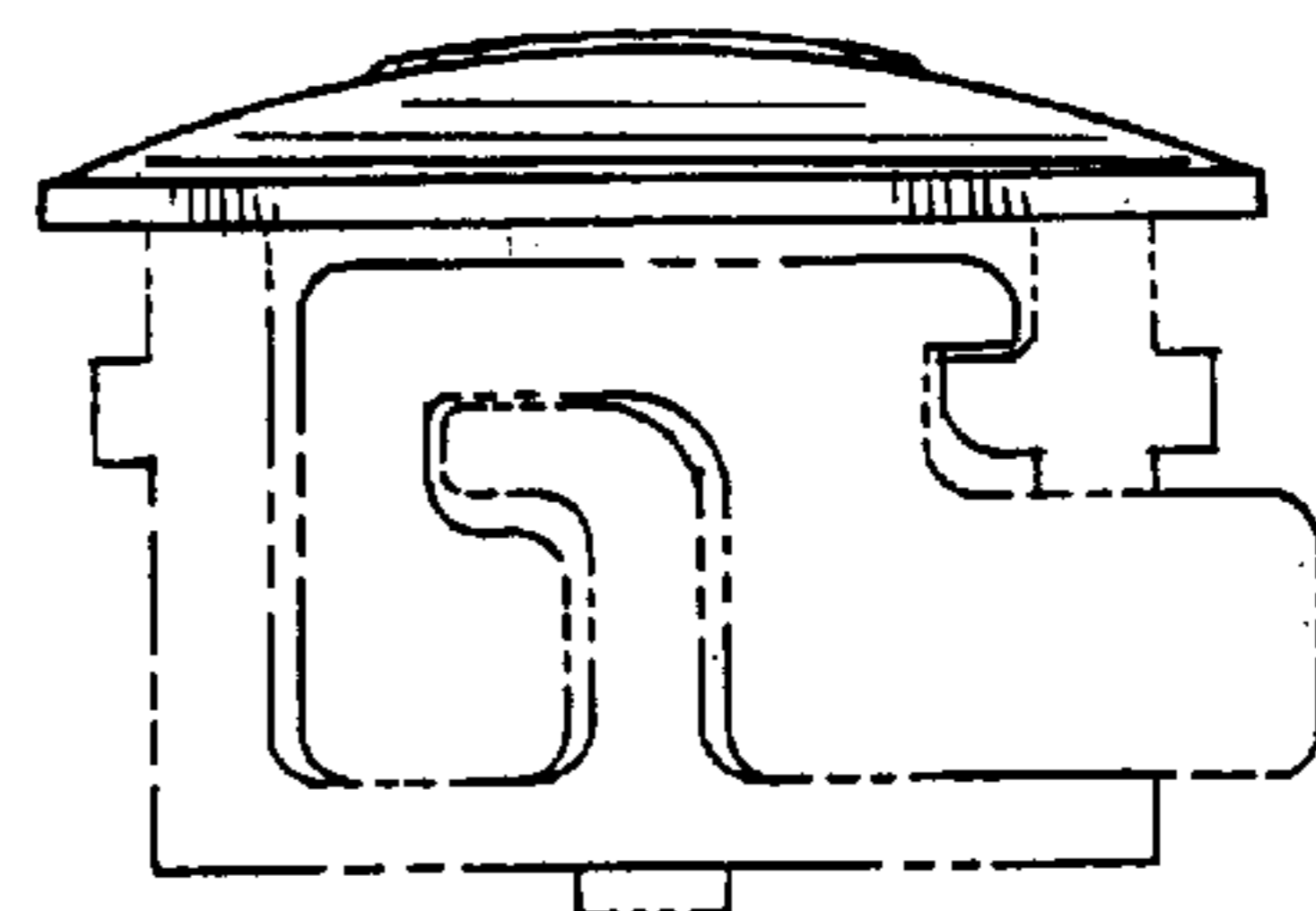


FIG.5



UNITED STATES PATENT AND TRADEMARK OFFICE
CERTIFICATE OF CORRECTION

PATENT NO. : Des. 442,847 S
DATED : May 29, 2001
INVENTOR(S) : Steven E. Shultz and Kevin G. Short

Page 1 of 1

It is certified that error appears in the above-identified patent and that said Letters Patent is hereby corrected as shown below:

Title page,

Item [56], **References Cited**, change "D. 411,194" to -- D. 411, 094 --

Signed and Sealed this

Third Day of September, 2002

Attest:

A handwritten signature in black ink, appearing to read "James E. Rogan", with a horizontal line drawn underneath it.

Attesting Officer

JAMES E. ROGAN
Director of the United States Patent and Trademark Office