



US00D442846S

(12) **United States Design Patent**
Bastian

(10) **Patent No.:** **US D442,846 S**

(45) **Date of Patent:** **** May 29, 2001**

(54) **HANDLE**

(75) **Inventor:** **John M. Bastian**, Manitowoc, WI (US)

(73) **Assignee:** **Fisher Hamilton L.L.C.**, Two Rivers, WI (US)

(**) **Term:** **14 Years**

(21) **Appl. No.:** **29/122,560**

(22) **Filed:** **Apr. 28, 2000**

(51) **LOC (7) Cl.** **08-06**

(52) **U.S. Cl.** **D8/313**

(58) **Field of Search** D8/300, 313; 49/460;
312/348.6; 16/412, 415, 416, 904, DIG. 12,
DIG. 18

(56) **References Cited**

U.S. PATENT DOCUMENTS

- D. 183,429 * 8/1958 Reynolds .
- D. 297,808 * 9/1988 King D8/313
- D. 322,385 * 12/1991 Simonton et al. D8/313

- D. 349,838 * 8/1994 Barton et al. .
- D. 402,528 * 12/1998 Brucker .
- 3,842,758 * 10/1974 Armstrong et al. .
- 3,862,506 * 1/1975 Drenten et al. .
- 5,134,754 * 8/1992 Vickers .
- 5,927,836 * 7/1999 Herr et al. .

* cited by examiner

Primary Examiner—B. J. Bullock

(57) **CLAIM**

The ornamental design for a handle, as shown and described.

DESCRIPTION

FIG. 1 is a perspective view of the handle of the present invention;
 FIG. 2 is a top plan view thereof;
 FIG. 3 is a front elevation view thereof;
 FIG. 4 is a side elevation view thereof, the opposite side being the same;
 FIG. 5 is a back elevation view thereof; and,
 FIG. 6 is a bottom plan view thereof.

1 Claim, 1 Drawing Sheet

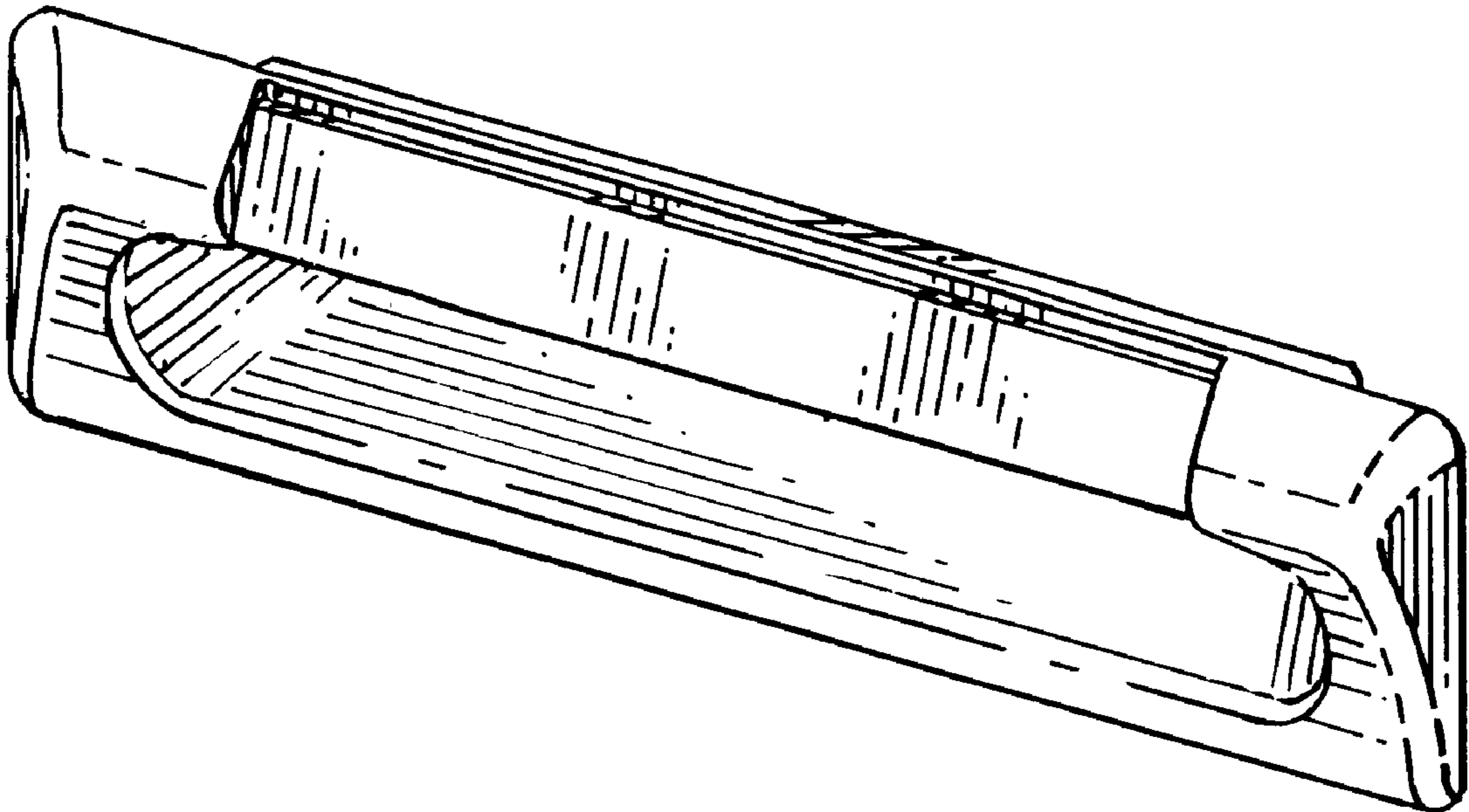


FIG. 1

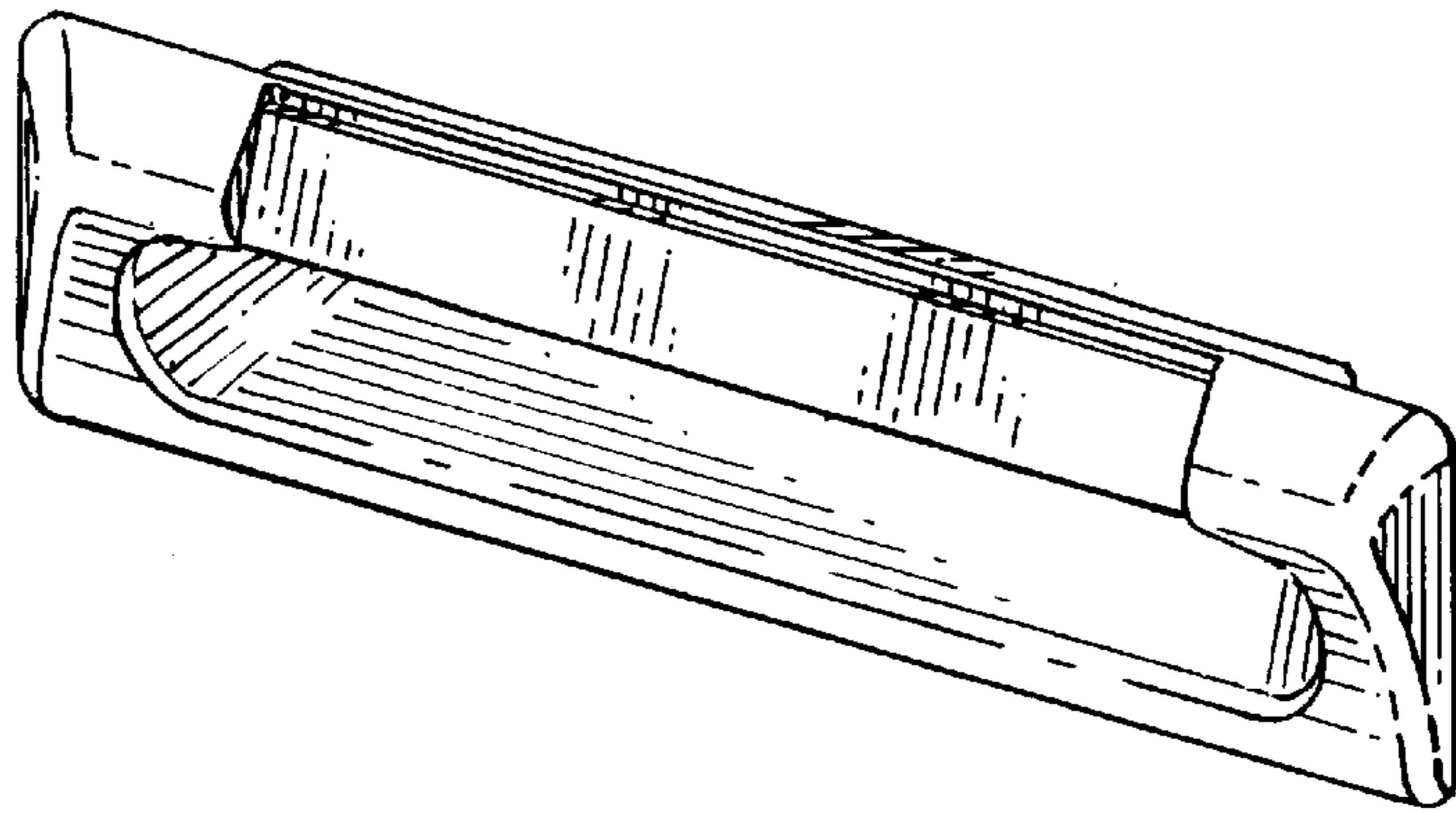


FIG. 2

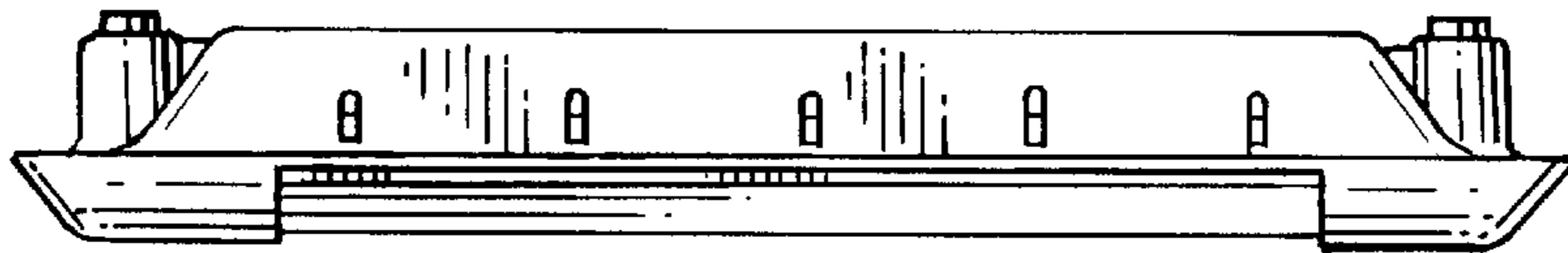


FIG. 3

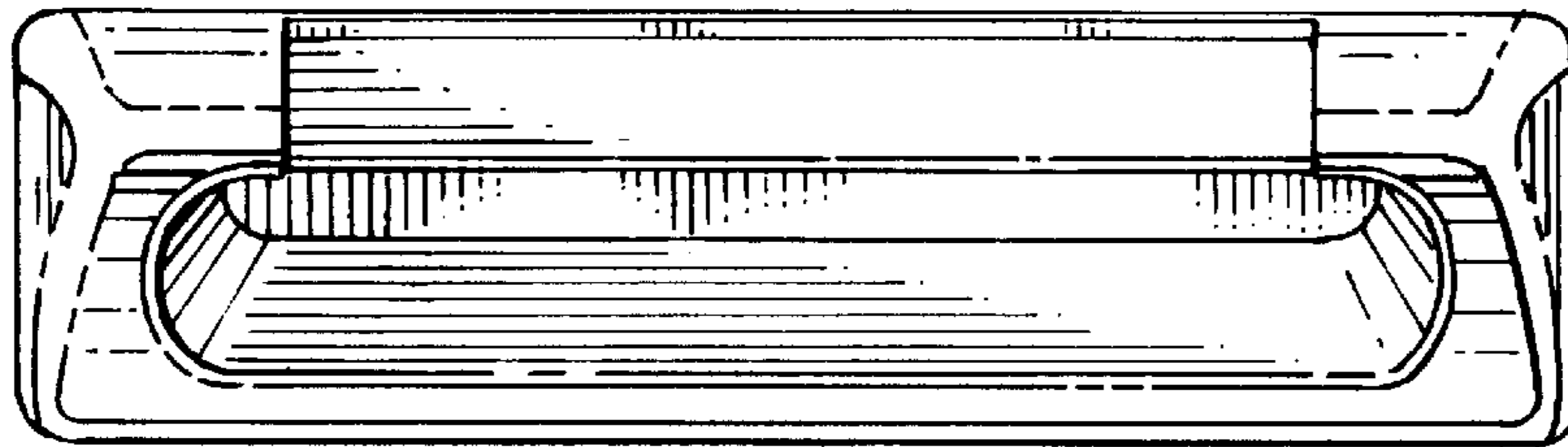


FIG. 4

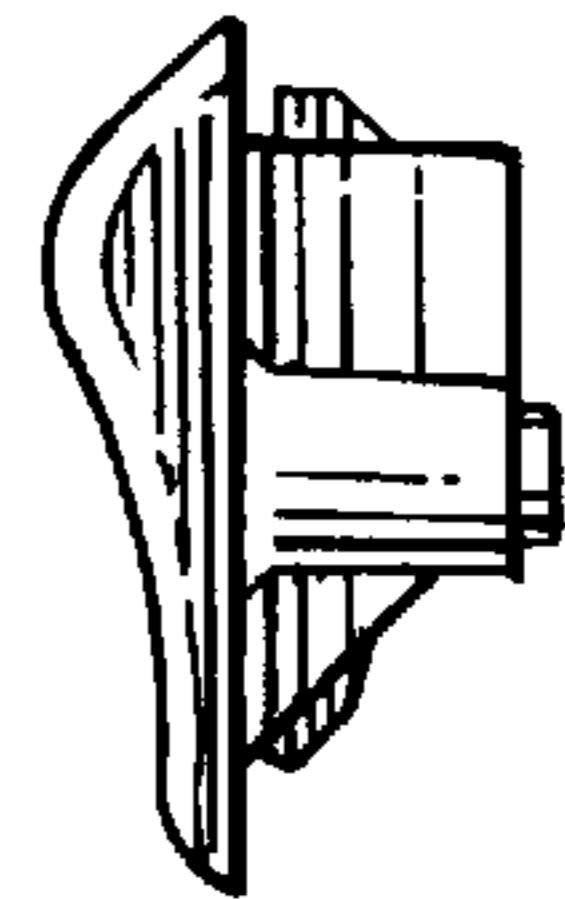


FIG. 5

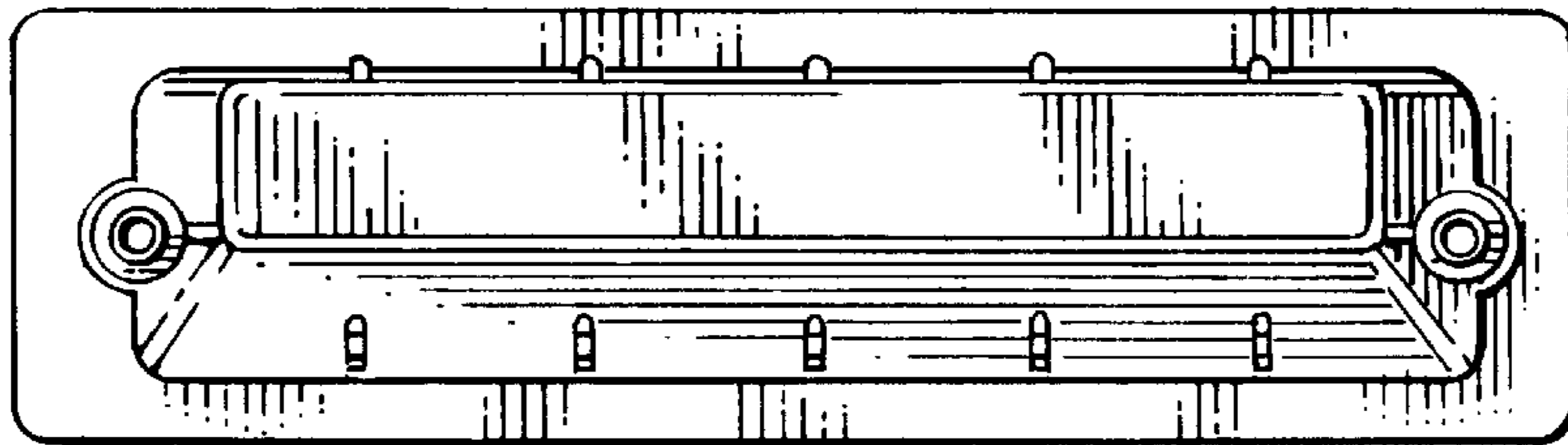


FIG. 6

