



US00D442844S

(12) **United States Design Patent**
Mirick

(10) **Patent No.:** **US D442,844 S**

(45) **Date of Patent:** **** May 29, 2001**

- (54) **KEY HANDLE AND LATCH PLATE**
- (75) Inventor: **Lawrence T. Mirick**, Manhattan Beach, CA (US)
- (73) Assignee: **S.P.E.P. Acquisition Corp.**, Rancho Dominguez, CA (US)
- (**) Term: **14 Years**
- (21) Appl. No.: **29/129,912**
- (22) Filed: **Sep. 25, 2000**

D. 323,776	2/1992	Hansen	D8/338
D. 328,231	7/1992	Hansen	D8/301
2,666,319	1/1954	Price	70/97
3,389,932	6/1968	Pastva, Jr.	292/173
4,706,478	11/1987	Swan et al.	70/208
5,015,019	5/1991	Razdolsky	292/200
5,904,385	5/1999	Linder	292/336.3
5,913,908	6/1999	Czipri	70/208

Primary Examiner—B. J. Bullock
(74) *Attorney, Agent, or Firm*—Cislo & Thomas LLP

Related U.S. Application Data

- (62) Division of application No. 29/109,565, filed on Aug. 17, 1999.
- (51) **LOC (7) Cl.** **08-06**
- (52) **U.S. Cl.** **D8/301; D8/306**
- (58) **Field of Search** D8/301, 302, 306, D8/352, 336, 337, 338; 292/336.3, DIG. 2, DIG. 31; 70/208, 210

(57) **CLAIM**

I claim the ornamental design for a key handle and latch plate, as shown and described herein.

DESCRIPTION

FIG. 1. Is a perspective view of my key handle and latch plate;
 FIG. 2. Is a front view thereof;
 FIG. 3. Is a rear view thereof;
 FIG. 4. Is a left side elevational view thereof, the right side view thereof being substantially symmetrical hereto;
 FIG. 5. Is a top view thereof; and,
 FIG. 6. Is a bottom view thereof.

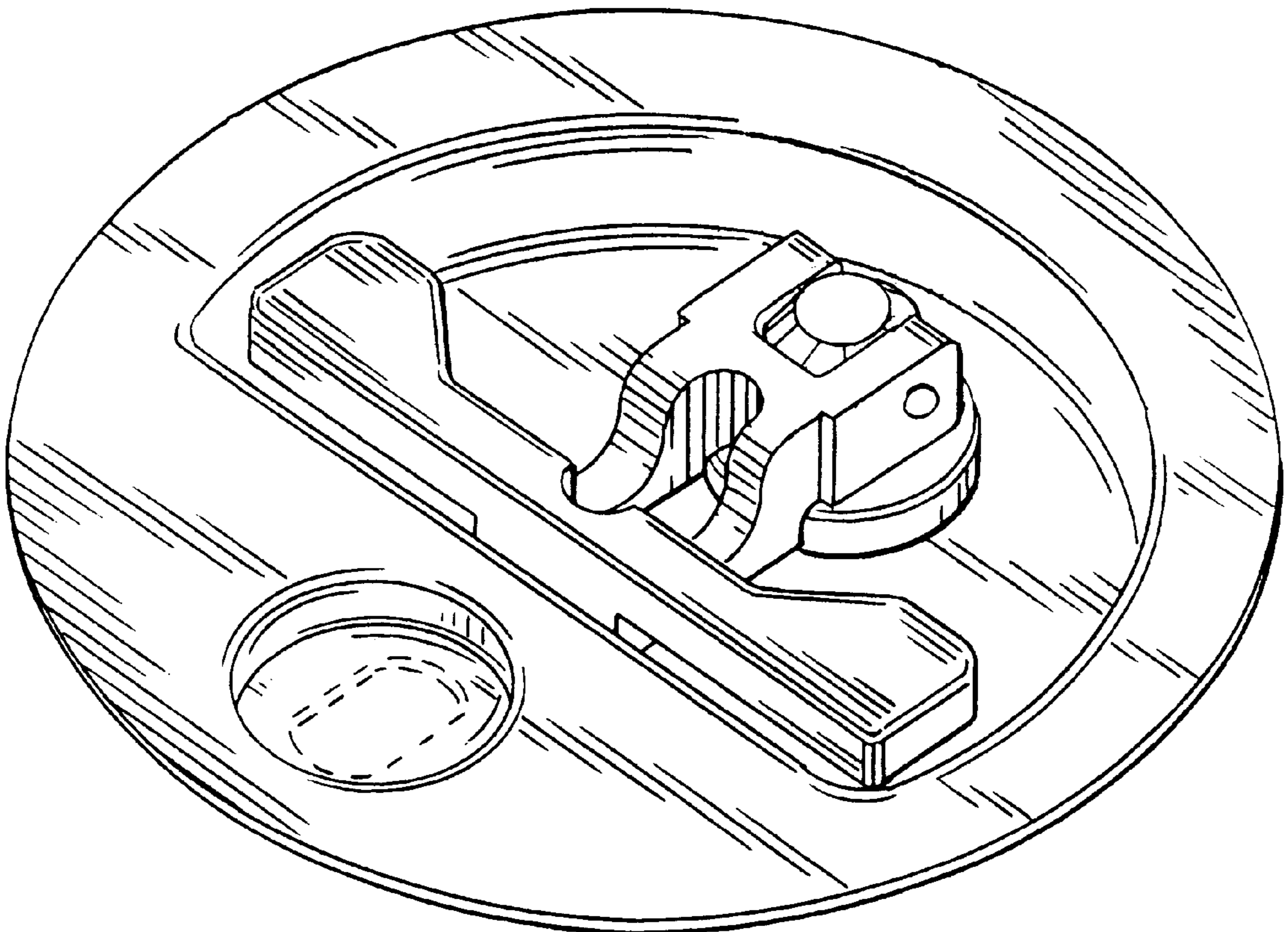
The broken lines shown in the drawings are for illustrative purposes only and are not intended to form part of the claimed design.

(56) **References Cited**

U.S. PATENT DOCUMENTS

D. 119,418	3/1940	Anderson et al.	.
D. 192,958	6/1962	Benson D10/8
D. 265,968	8/1982	Bergin D8/352

1 Claim, 2 Drawing Sheets



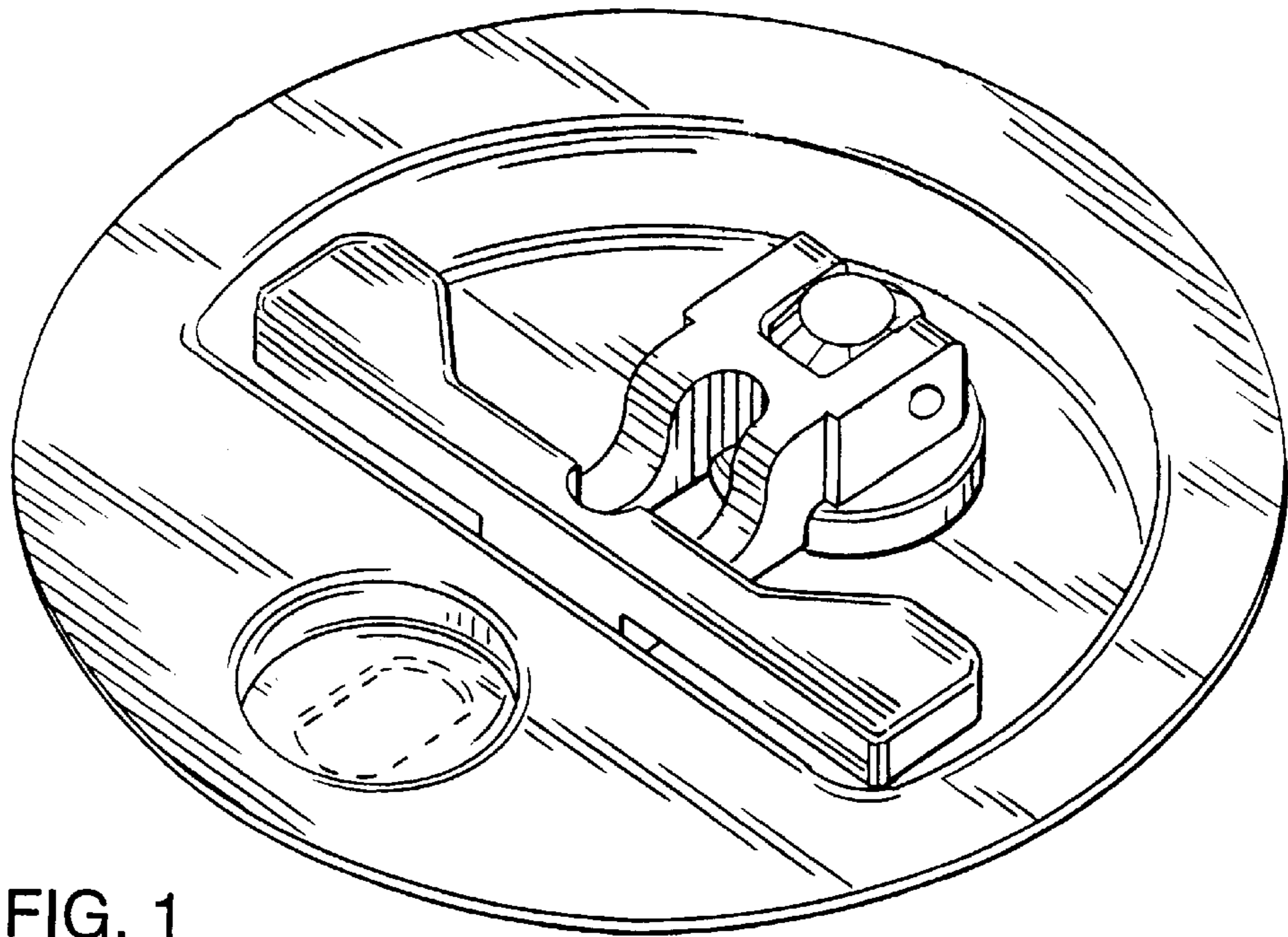


FIG. 1

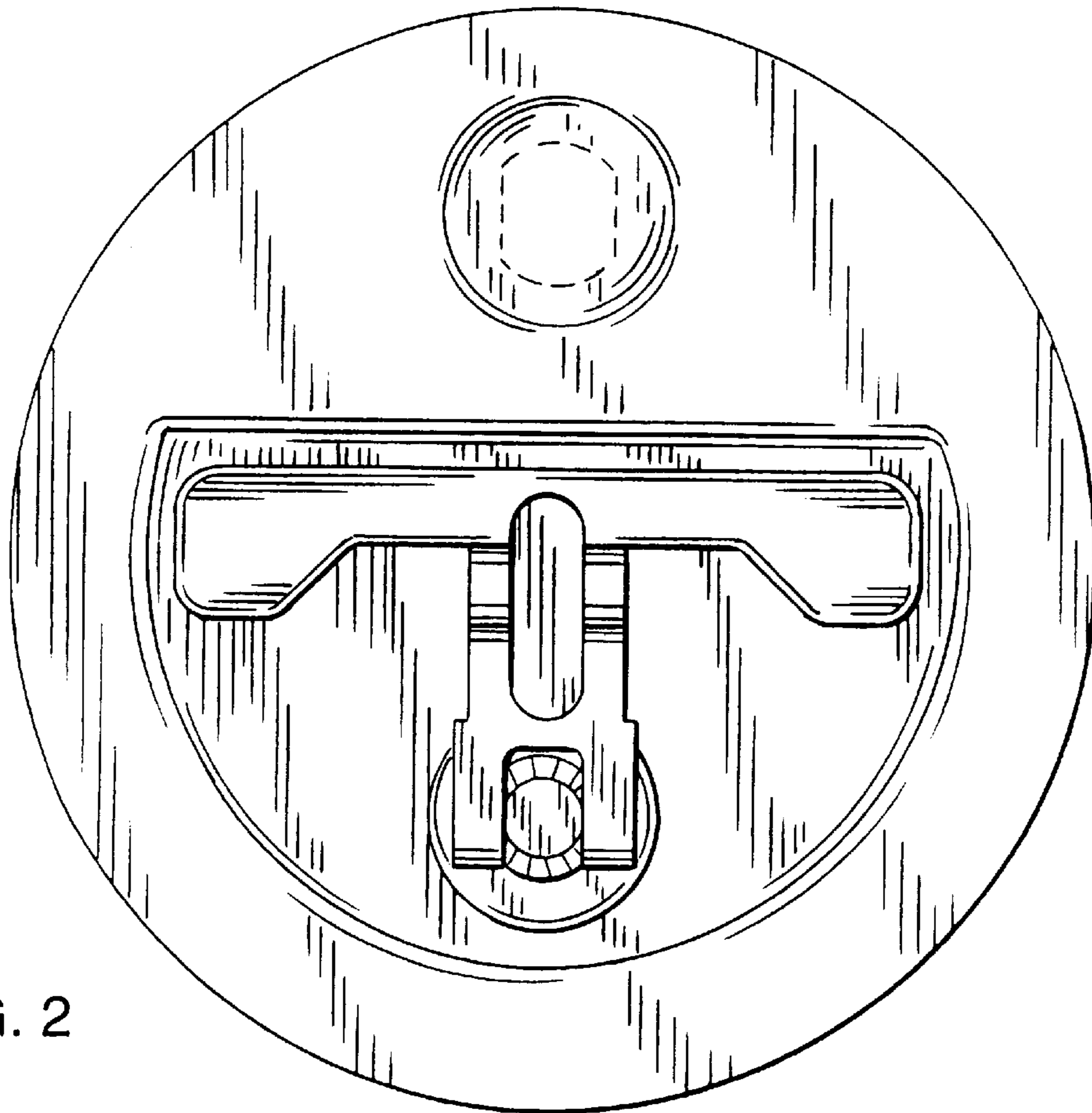


FIG. 2

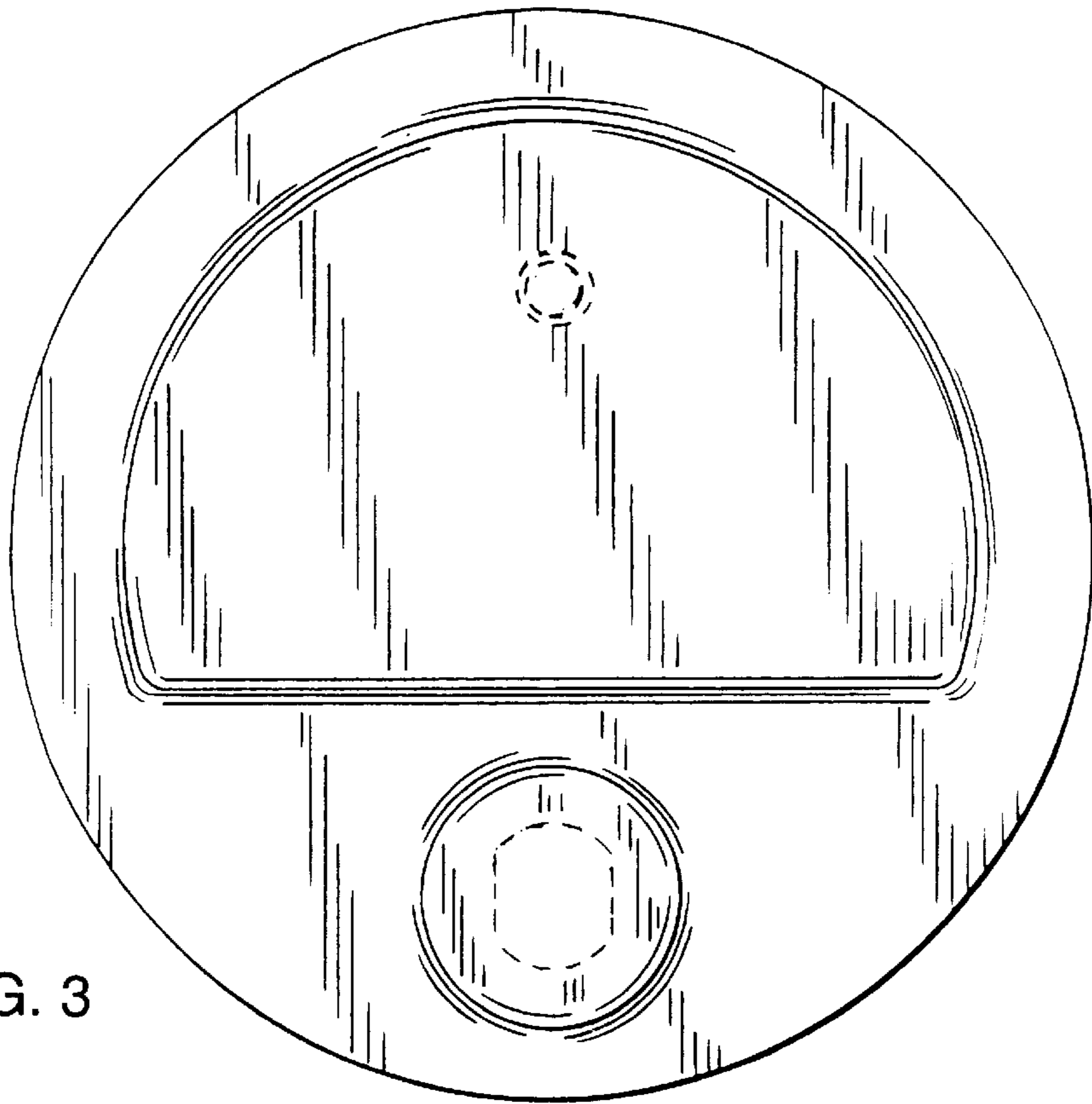


FIG. 3

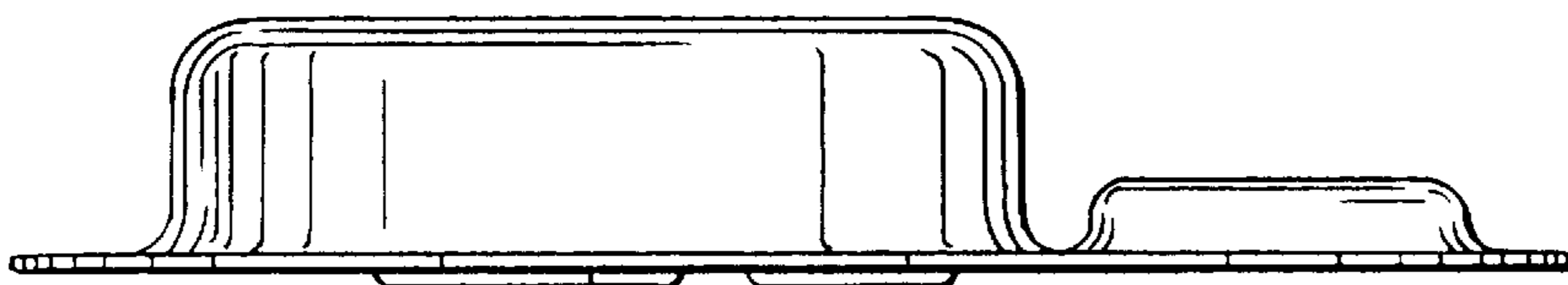


FIG. 4

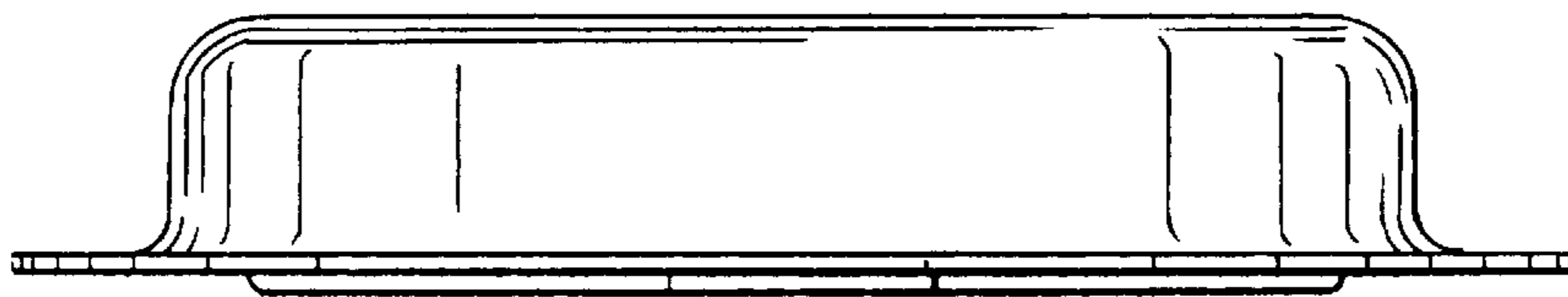


FIG. 5

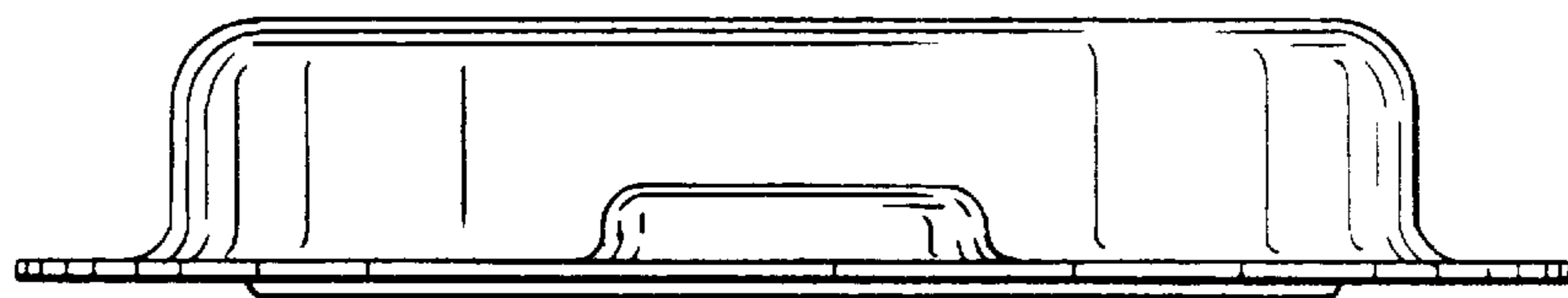


FIG. 6