



US00D442843S

(12) **United States Design Patent**
Hsu

(10) **Patent No.:** **US D442,843 S**

(45) **Date of Patent:** **** May 29, 2001**

(54) **HANDLE**

(76) **Inventor:** **Frank Hsu**, 14F-3, No. 148,
Chung-Hsing E. Rd., Tai-Ping City,
Taichung Hsien (TW)

(**) **Term:** **14 Years**

(21) **Appl. No.:** **29/127,209**

(22) **Filed:** **Aug. 1, 2000**

(51) **LOC (7) Cl.** **08-04**

(52) **U.S. Cl.** **D8/107; D8/83; D8/87**

(58) **Field of Search** D8/107, DIG. 4,
D8/303, 98, 75, 80, 83, 87, 300; D22/118;
D7/395, 649; 30/340, 343, 344; 16/110.1,
431; 81/489, 427.5

(56) **References Cited**

U.S. PATENT DOCUMENTS

- D. 42,321 * 3/1912 Gilbert .
- D. 114,096 * 4/1939 Zimmer .

- D. 267,075 * 11/1982 Wadstrom D8/107
- D. 379,750 * 6/1997 Thompson et al. D8/83

* cited by examiner

Primary Examiner—Alan P. Douglas

Assistant Examiner—Clare E. Heflin

(74) *Attorney, Agent, or Firm*—Merchant & Gould P.C.

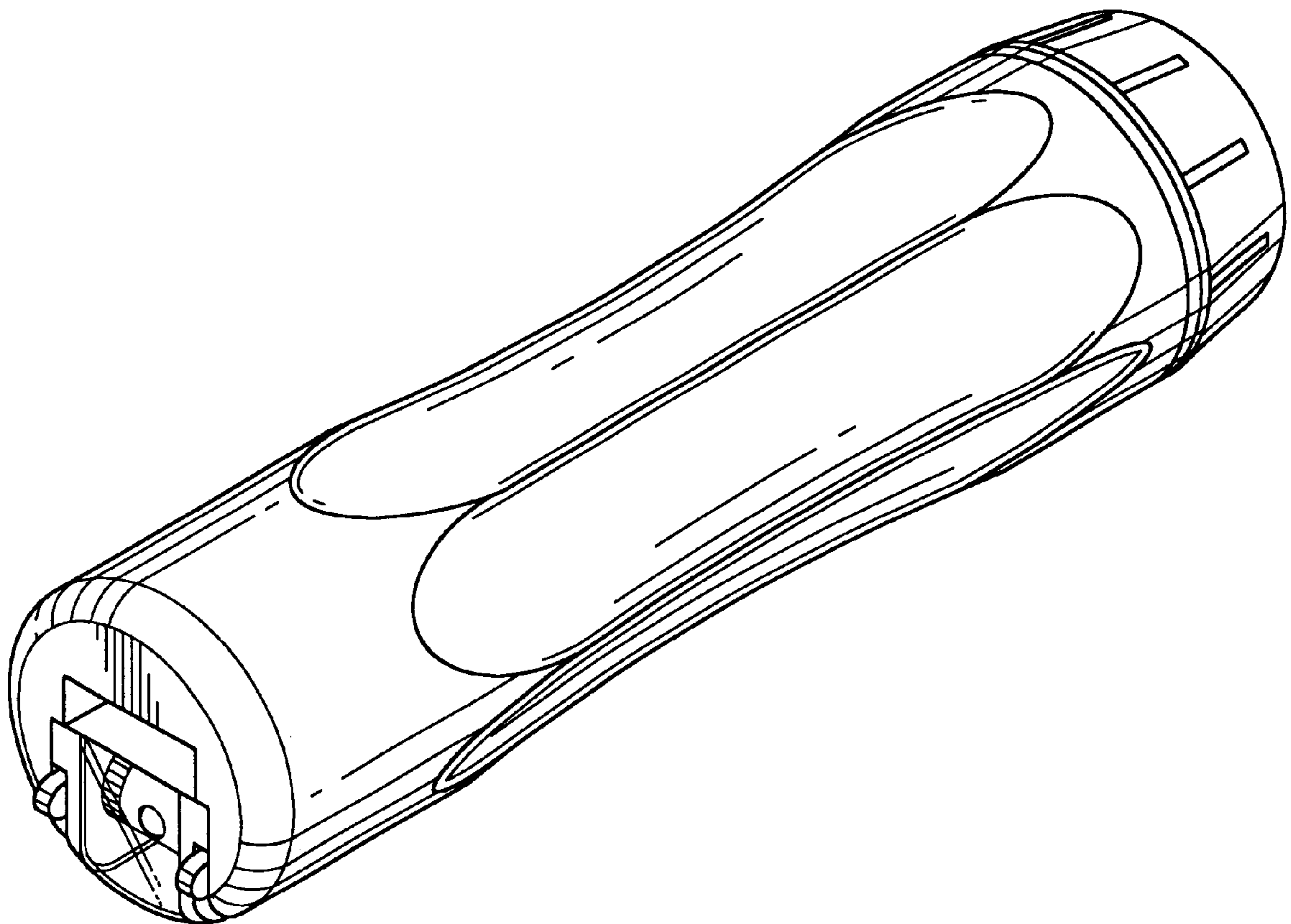
(57) **CLAIM**

The ornamental design for a handle, as shown and described.

DESCRIPTION

FIG. 1 is a perspective view of a handle showing my new design;
 FIG. 2 is a front elevational view thereof;
 FIG. 3 is a rear elevational view thereof;
 FIG. 4 is a left side elevational view thereof;
 FIG. 5 is a right side elevational view thereof;
 FIG. 6 is a top plan view thereof; and,
 FIG. 7 is a bottom plan view thereof.

1 Claim, 4 Drawing Sheets



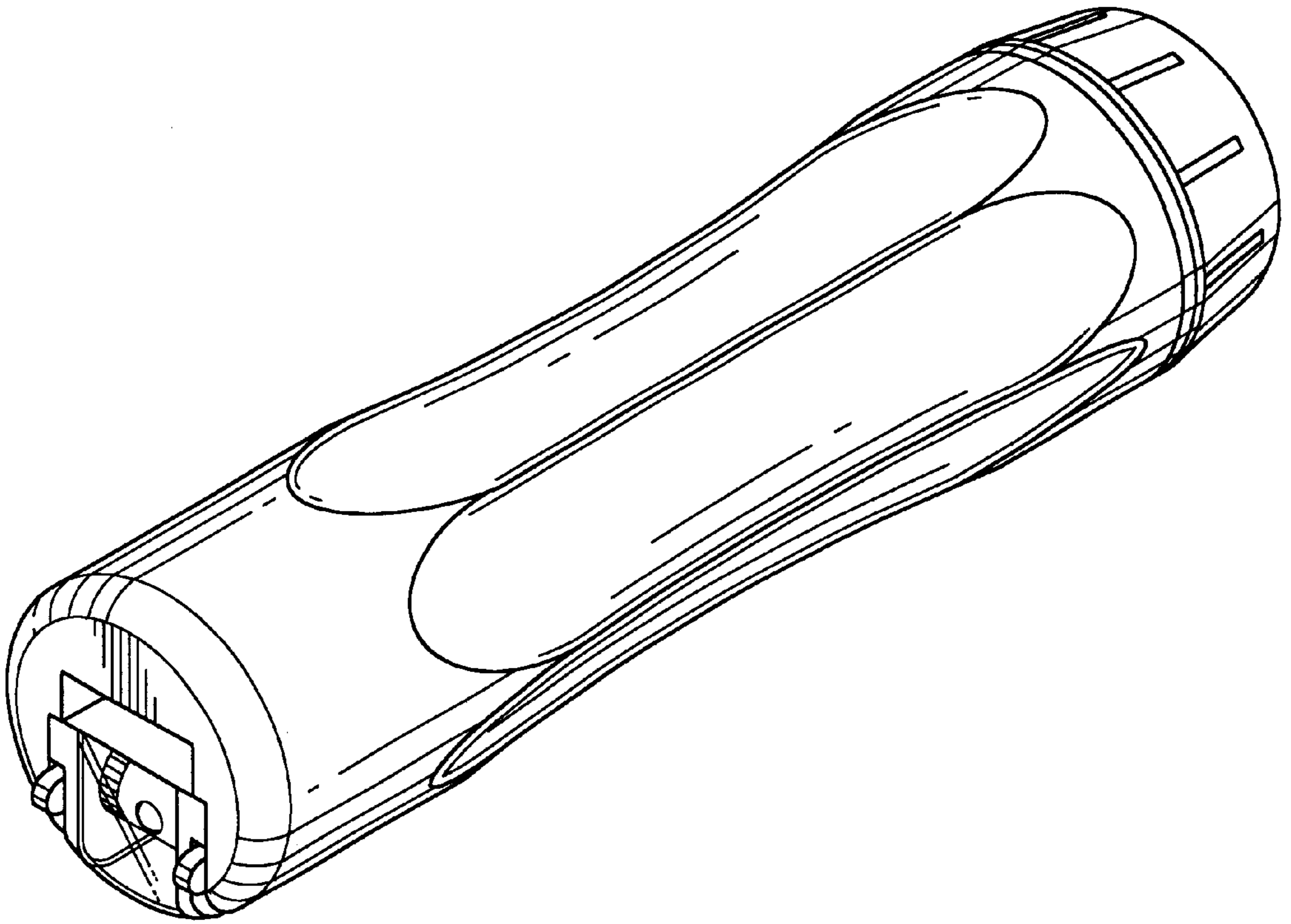


FIG. 1

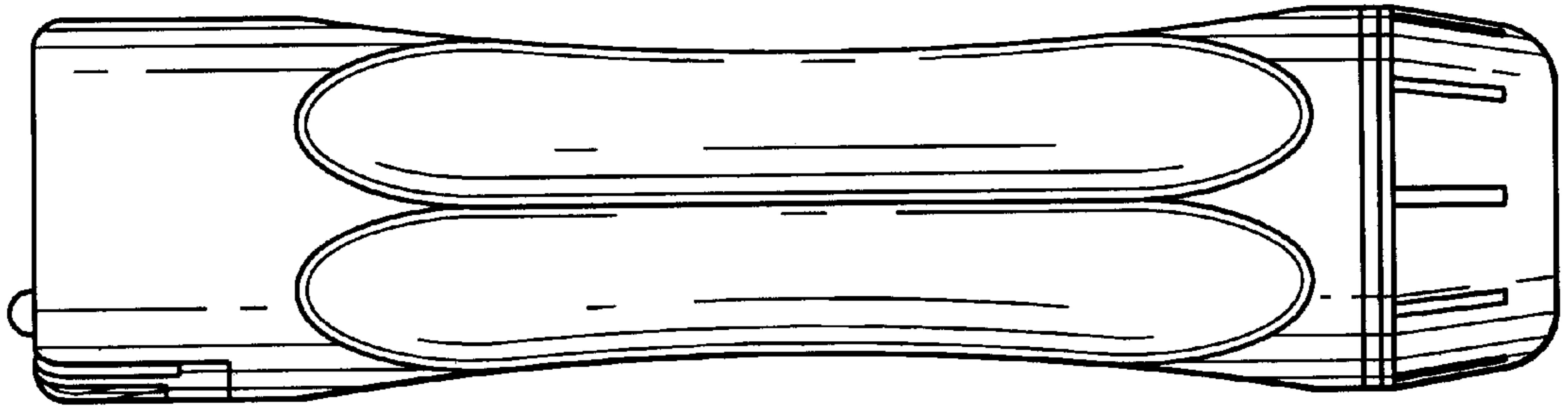


FIG. 2

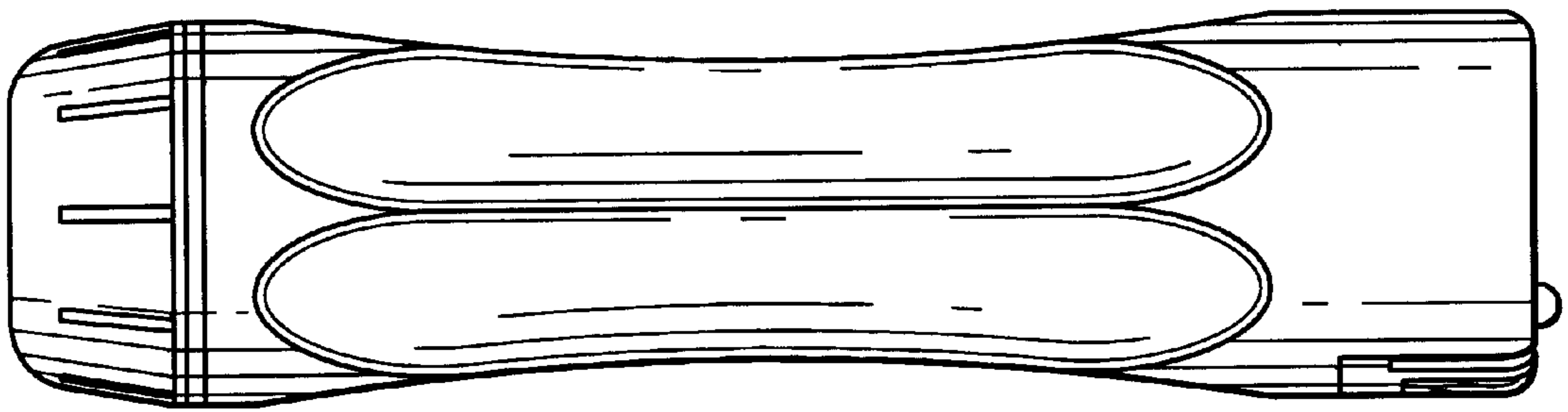


FIG. 3

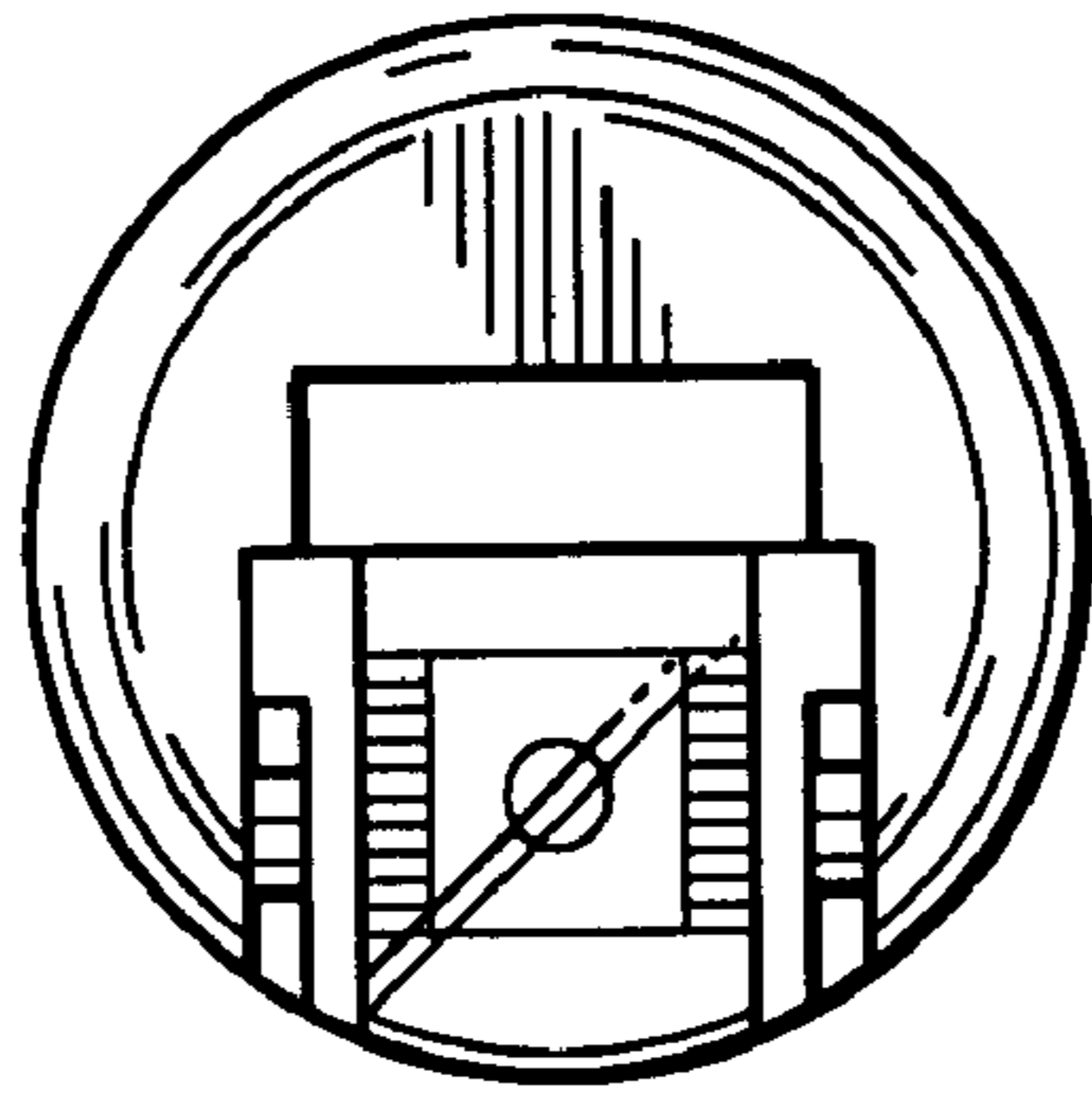


FIG. 4

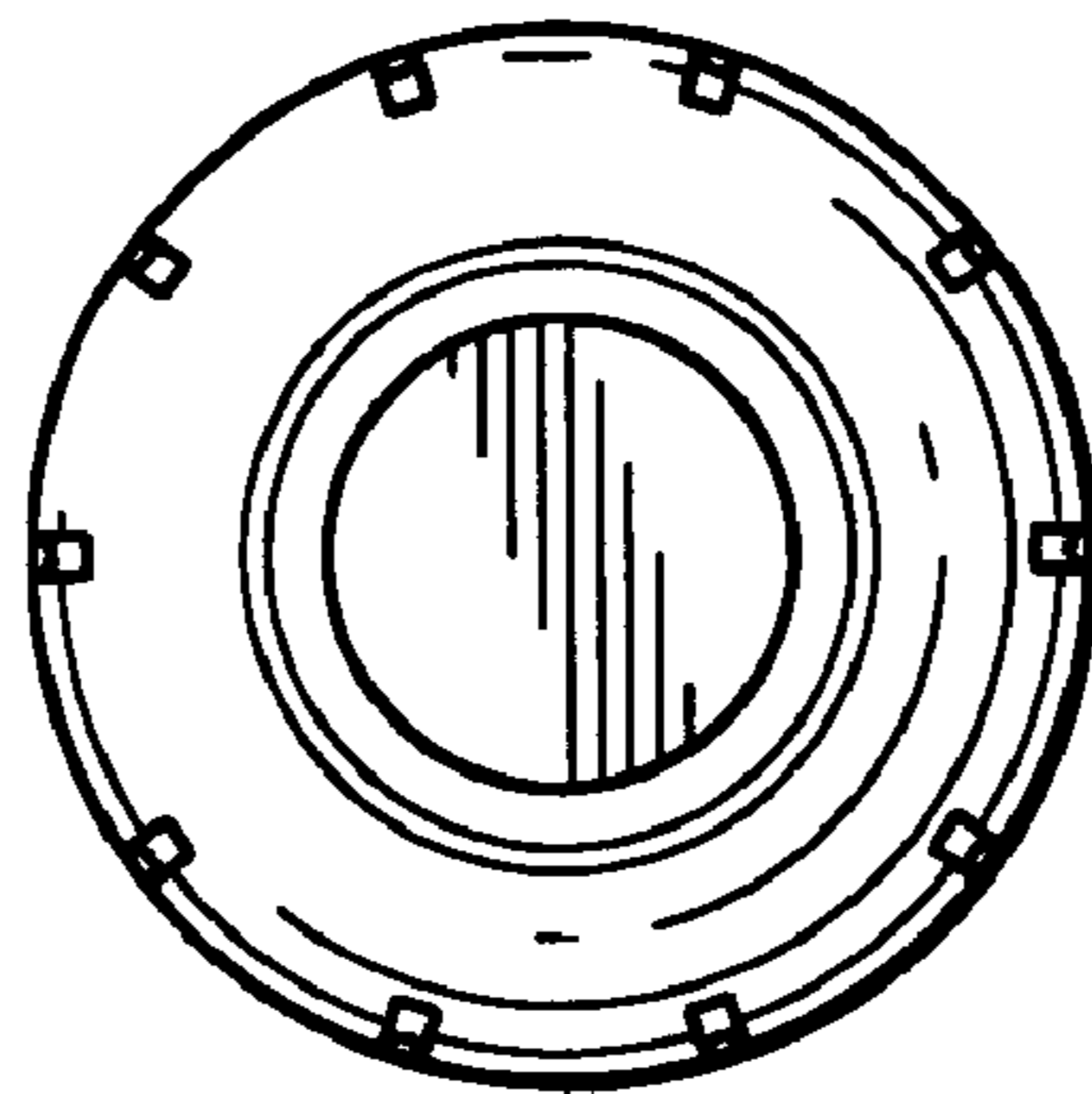


FIG. 5

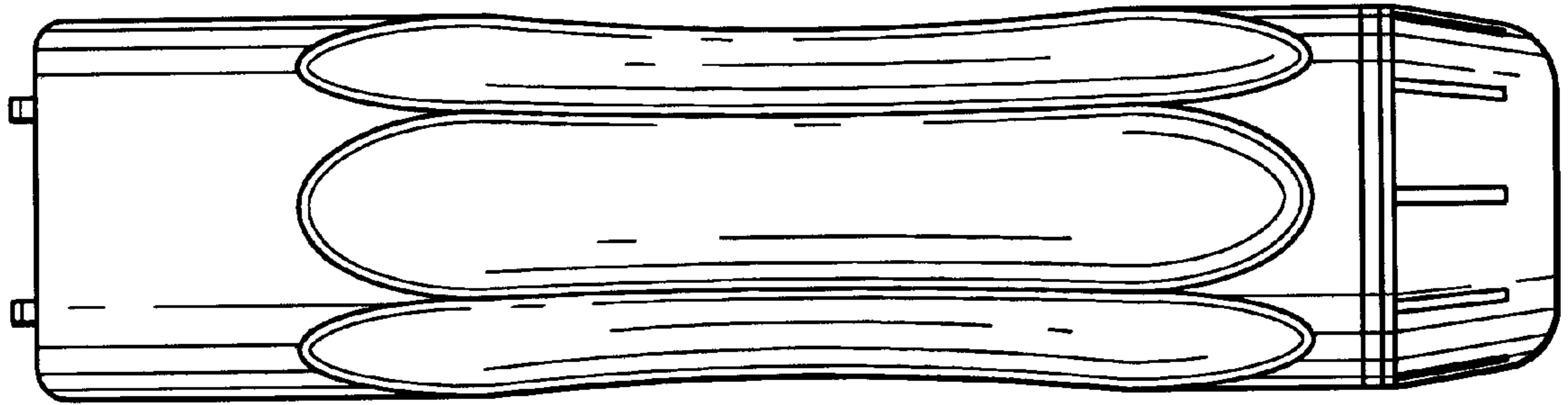


FIG. 6

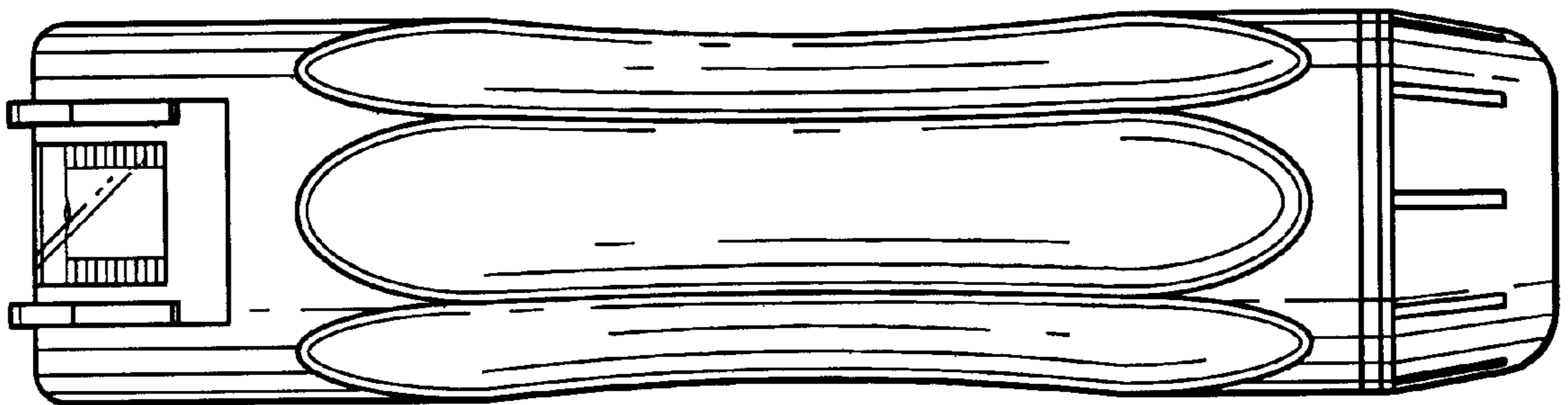


FIG. 7