



US00D442839S

(12) **United States Design Patent**
Cieri et al.

(10) **Patent No.: US D442,839 S**

(45) **Date of Patent: ** May 29, 2001**

(54) **PALM SANDER**

(75) Inventors: **Mark A. Cieri; Edward C. Eardley,**
both of Easton, PA (US)

(73) Assignee: **Ingersoll-Rand Company,** Woodcliff
Lake, NJ (US)

(**) Term: **14 Years**

4,854,085	8/1989	Huber	51/170
4,879,847	11/1989	Butzen et al.	51/170
5,319,888	6/1994	Huber et al.	51/170
5,411,386	5/1995	Huber et al.	418/149
5,538,040	7/1996	Huber et al.	137/614.19
5,582,541 *	12/1996	Hutchins	451/357
5,595,530	1/1997	Heidelberger	451/356
5,823,862 *	10/1998	Heidelberger	451/344

(21) Appl. No.: **29/107,268**
(22) Filed: **Jun. 29, 1999**

(51) **LOC (7) Cl. 08-01**
(52) **U.S. Cl. D8/62**
(58) **Field of Search D8/61, 62, 67,**
D8/70, DIG. 7; 451/48, 103, 108, 109,
111, 119, 162, 177, 259, 270, 344, 351-353,
357-359, 456

(56) **References Cited**

U.S. PATENT DOCUMENTS

D. 256,881	9/1980	Hutchins	D8/62
D. 260,847	9/1981	Biederman	D8/62
D. 324,800	3/1992	Butzen et al.	D8/62
D. 332,559	1/1993	Miyoshi et al.	D8/62
D. 334,126	3/1993	Huber et al.	D8/62
D. 344,878	3/1994	Izumisawa	D8/64
D. 347,561 *	6/1994	Huber et al.	D8/62
D. 350,266 *	9/1994	Huber et al.	D8/62
D. 350,886 *	9/1994	Huber et al.	D8/62
D. 351,976 *	11/1994	Morey et al.	D8/62
D. 353,310	12/1994	Izumisawa	D8/62
D. 353,311	12/1994	Izumisawa	D8/62
D. 357,163	4/1995	Izumisawa	D8/62
D. 377,892	2/1997	Sung	D8/62
D. 378,728 *	4/1997	Seith et al.	D8/62
3,287,859	11/1966	Leveque	51/120
3,546,822	12/1970	Hutchins	51/170
3,857,206	12/1974	Heffran, Jr.	51/170
4,102,083	7/1978	Stern	51/170
4,531,329 *	7/1985	Huber	451/456
4,622,782	11/1986	Roestenberg	51/273
4,660,329	4/1987	Hutchins	51/170
4,671,019	6/1987	Hutchins	51/170
4,686,797	8/1987	Hoffman	51/170

OTHER PUBLICATIONS

ASH Mail Order Catalog No. 32, p. 525-V, ©1981.
Campbell Industrial Supply Co. General Catalog, p. 411,
1982.
Automotive Power Tools, Ingersoll-Rand Catalog, 1992, p.
34.
Automotive Air Tools, Chicago Pneumatic Catalog, Mar.
1990, p. 36.

* cited by examiner

Primary Examiner—Martie K. Holtje
(74) *Attorney, Agent, or Firm*—Leon Nigohosian, Jr.

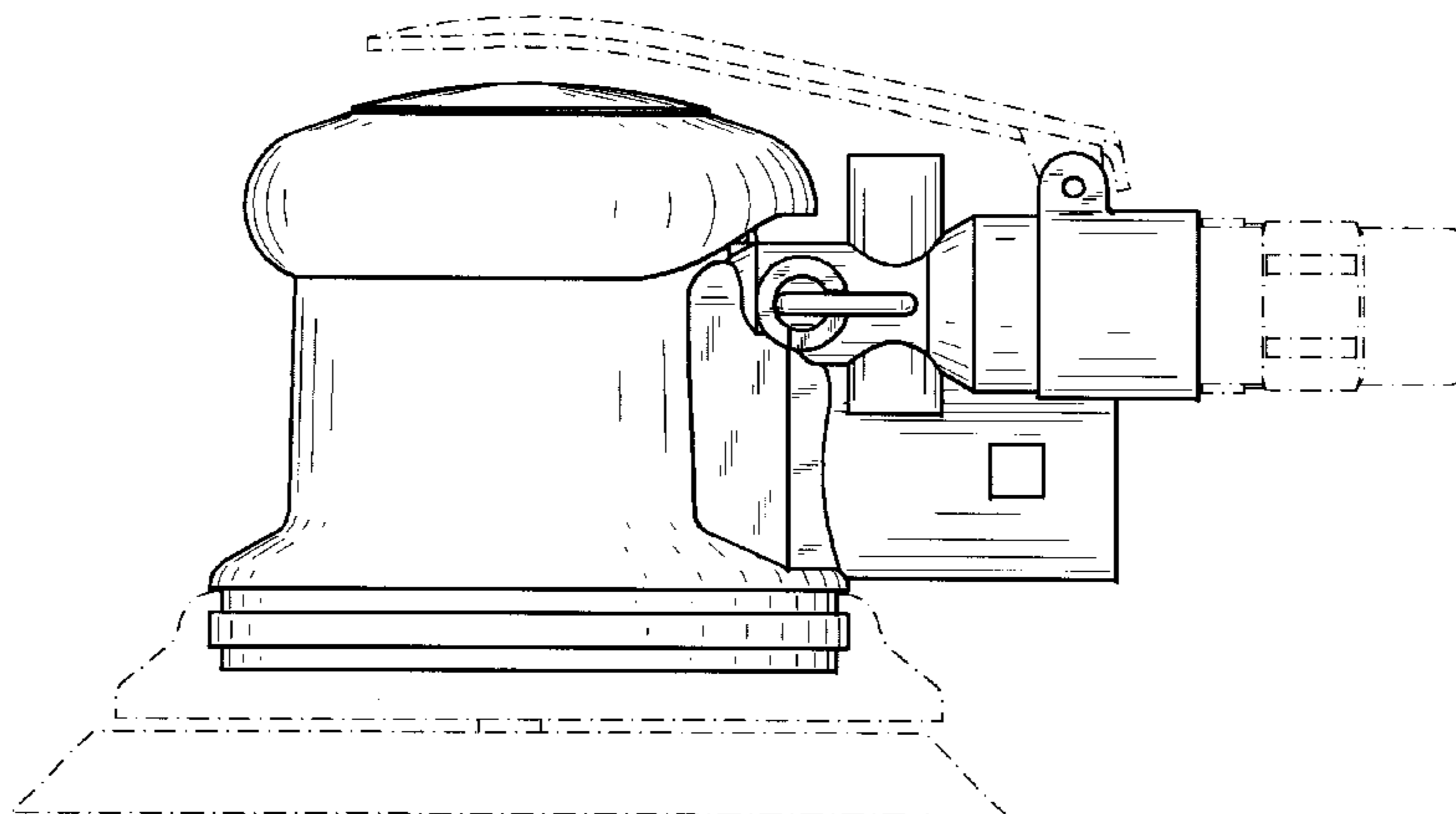
(57) **CLAIM**

The ornamental design of a palm sander, as shown and
described.

DESCRIPTION

FIG. 1 is a front elevation view of a palm sander according
to the present invention;
FIG. 2 is a right side elevation view of a palm sander
according to the present invention;
FIG. 3 is a left side elevation view of a palm sander
according to the present invention;
FIG. 4 is a top plan view of a palm sander according to the
present invention;
FIG. 5 is a bottom view of a palm sander according to the
present invention; and,
FIG. 6 is a rear elevation view of a palm sander according
to the present invention.
The structural features depicted by means of broken lines in
the drawing figures have been shown for illustrative pur-
poses only and form no part of the claimed design.

1 Claim, 3 Drawing Sheets



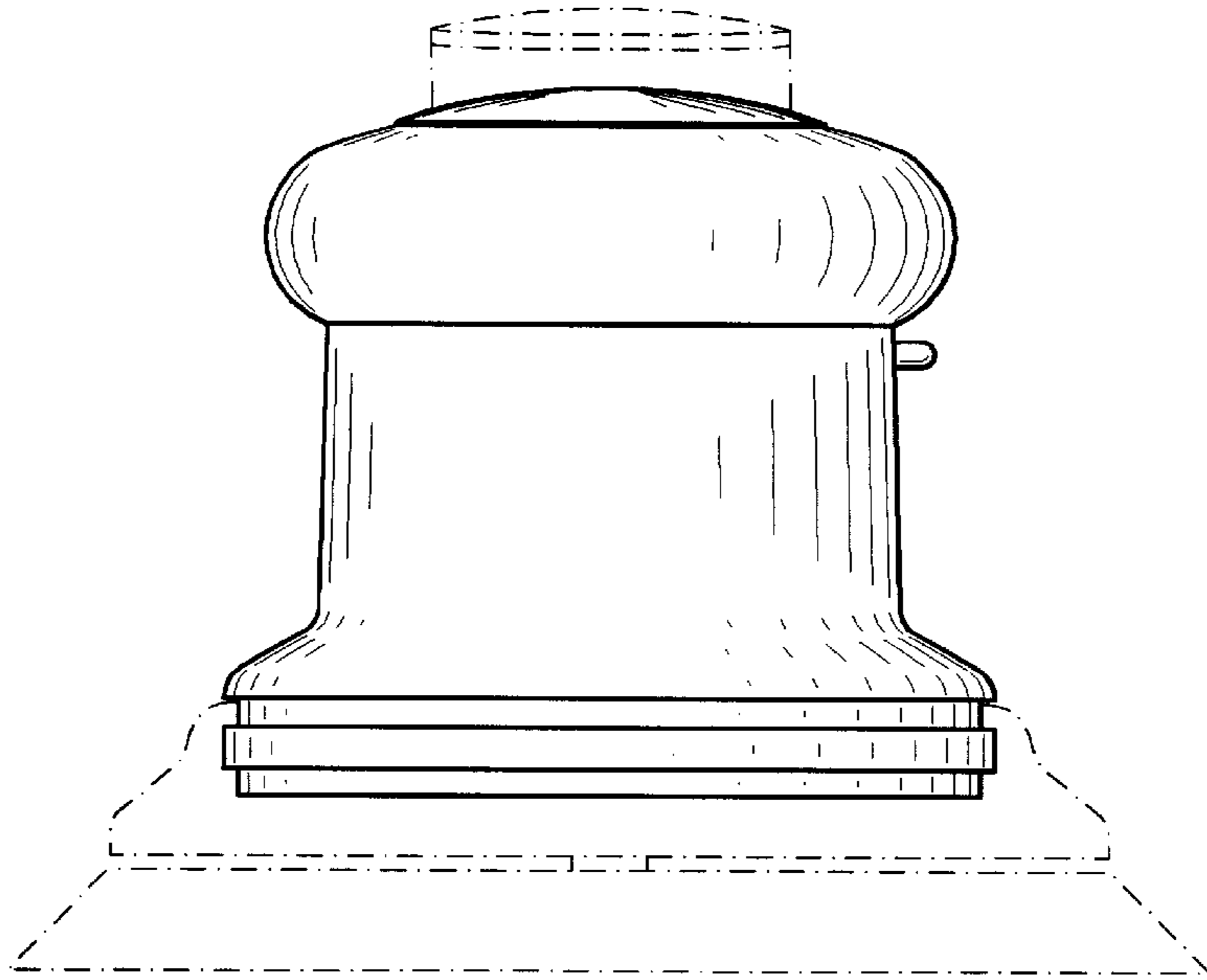


FIG. 1

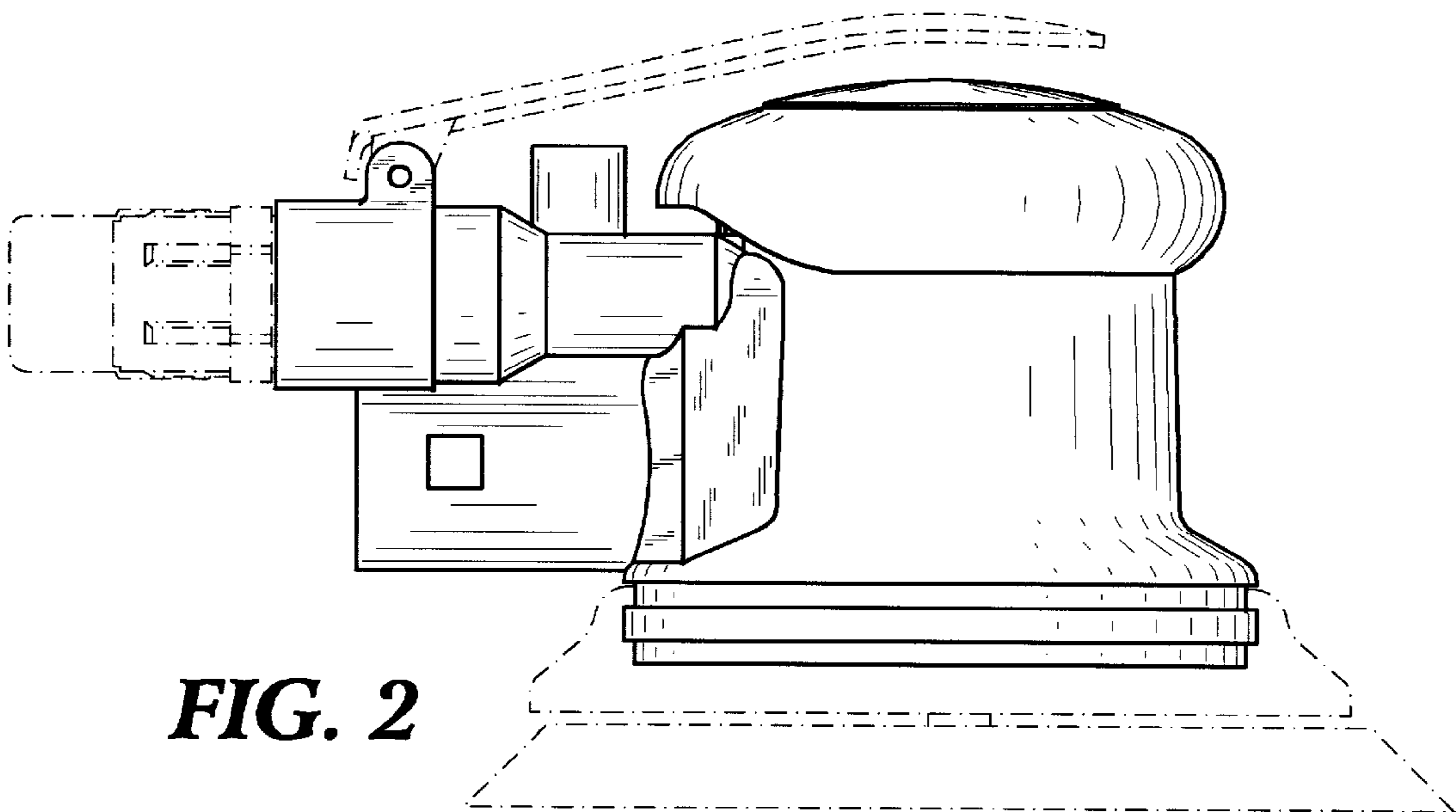


FIG. 2

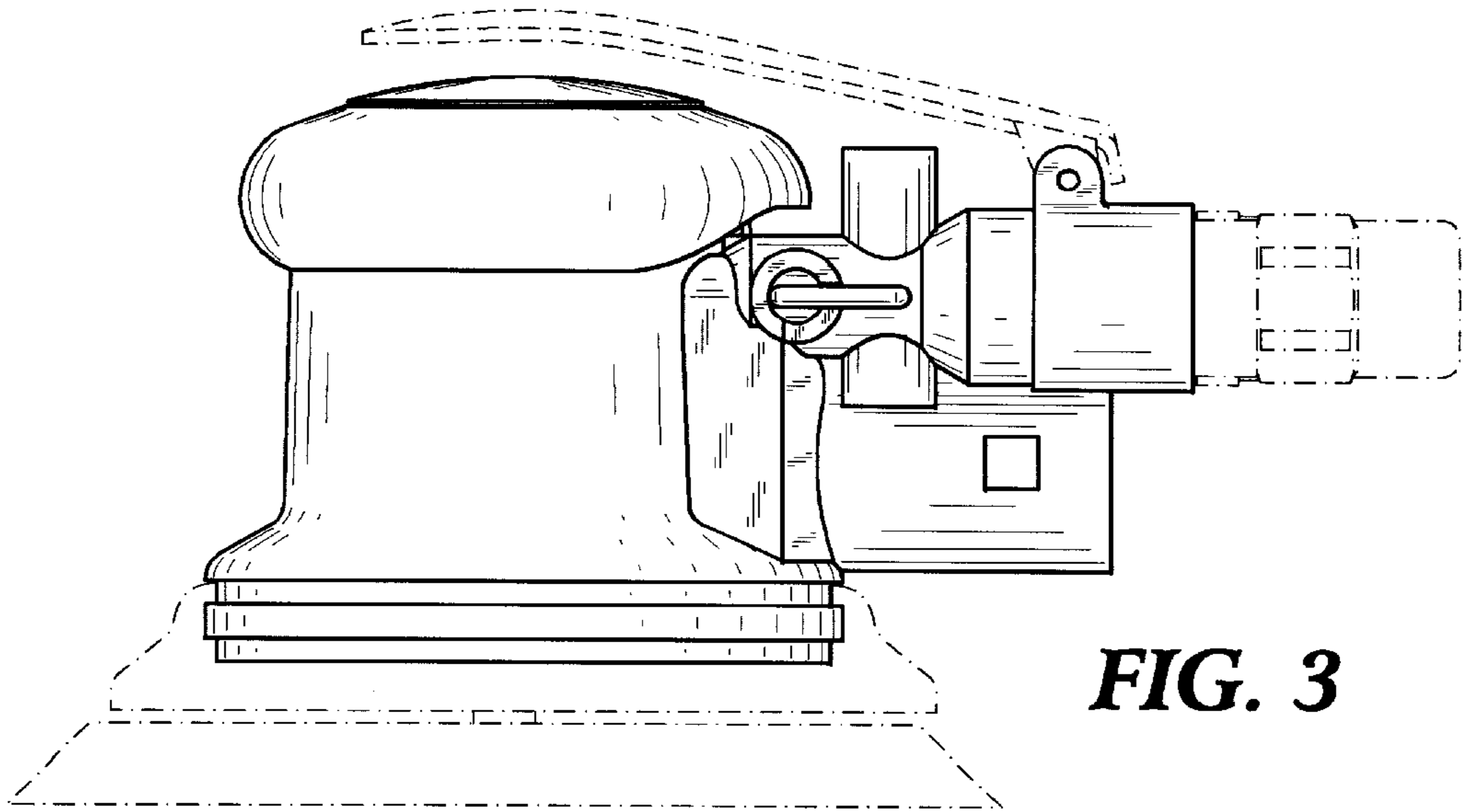


FIG. 3

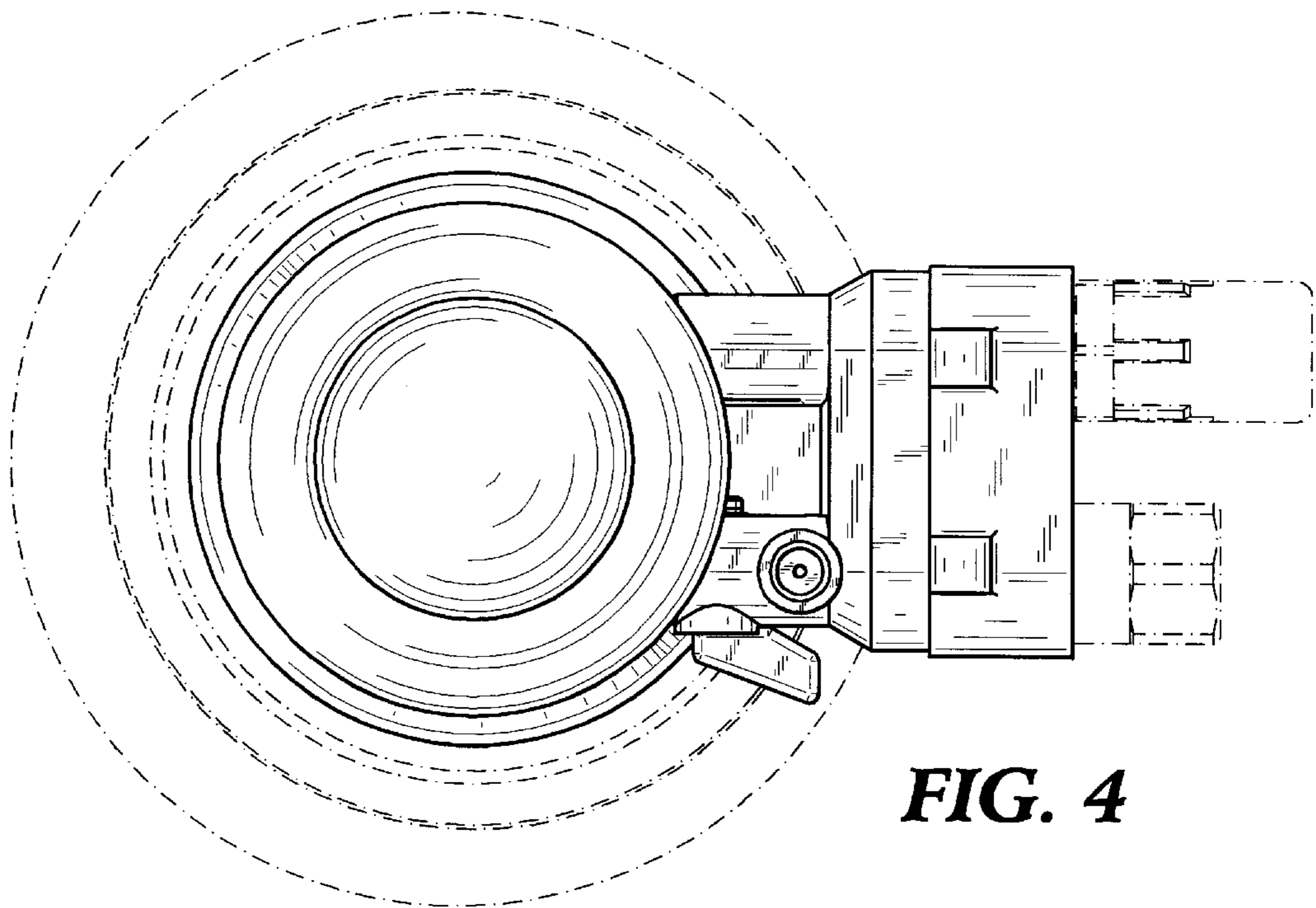


FIG. 4

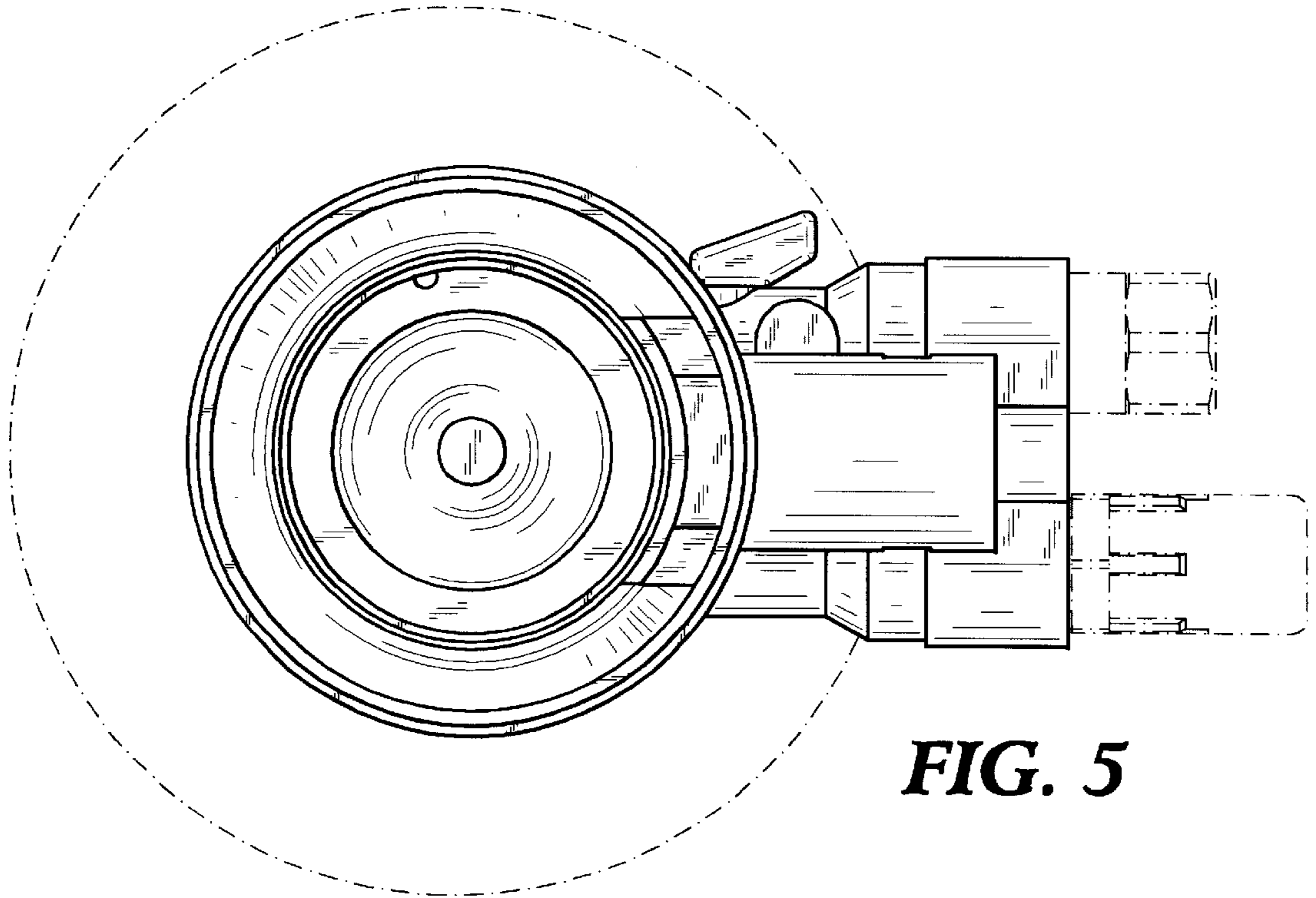


FIG. 5

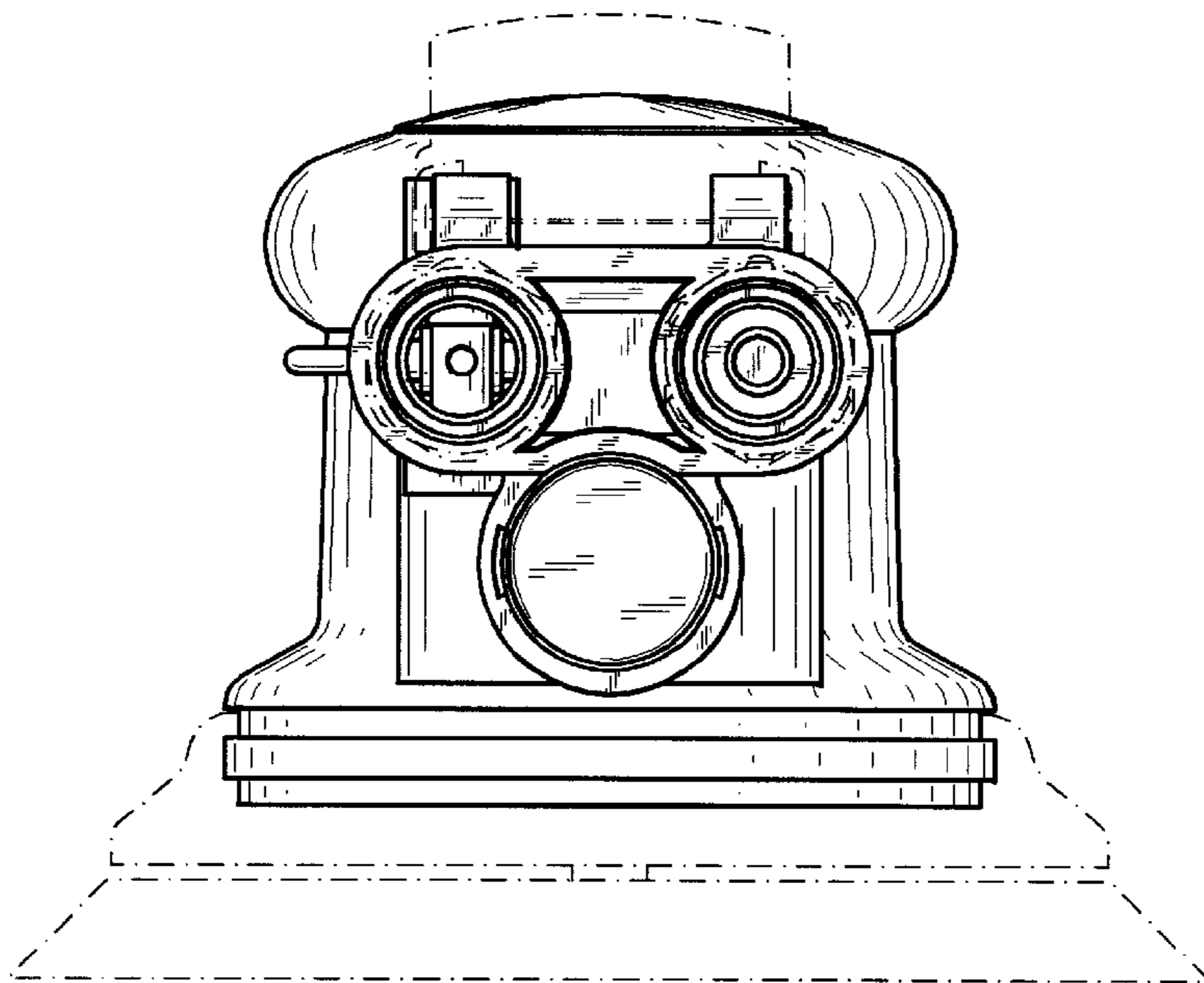


FIG. 6