



US00D442833S

(12) **United States Design Patent**  
**Shuman**

(10) **Patent No.:** **US D442,833 S**

(45) **Date of Patent:** **\*\* May 29, 2001**

(54) **INSULATED BEVERAGE HOLDER**

(76) Inventor: **Willard E. Shuman**, 3319 Las Palmas,  
Houston, TX (US) 77027

(\*\*) Term: **14 Years**

(21) Appl. No.: **29/113,416**

(22) Filed: **Nov. 4, 1999**

(51) **LOC (7) Cl.** ..... **07-01**

(52) **U.S. Cl.** ..... **D7/608**

(58) **Field of Search** ..... D7/605-608, 619,  
D7/624; 220/737, 739, 592.16, 592.17,  
592.2, 592.24-592.27, 902, 903, 906, 907;  
215/395, 396; 62/457.1-457.5

(56) **References Cited**

**U.S. PATENT DOCUMENTS**

- D. 360,806 \* 8/1995 Morris et al. .... D7/608
- D. 404,974 \* 2/1999 Kristinik ..... D7/608
- 3,285,455 \* 11/1966 Pewitt ..... 215/395
- 4,163,374 \* 8/1979 Moore et al. .... 62/457.4
- 4,344,303 \* 8/1982 Kelly, Jr. .... 215/395 X

5,186,350 \* 2/1993 McBride ..... 220/739

5,381,922 \* 1/1995 Gladman et al. .... 220/737 X

5,467,891 \* 11/1995 Perry ..... 220/739

\* cited by examiner

*Primary Examiner*—Terry A. Wallace

(74) *Attorney, Agent, or Firm*—Keeling Law Firm

(57) **CLAIM**

The ornamental design for an insulated beverage holder, as shown.

**DESCRIPTION**

FIG. 1 is an orthogonal perspective top view of the insulated beverage holder.

FIG. 2 is an orthogonal perspective bottom view of the insulated beverage holder.

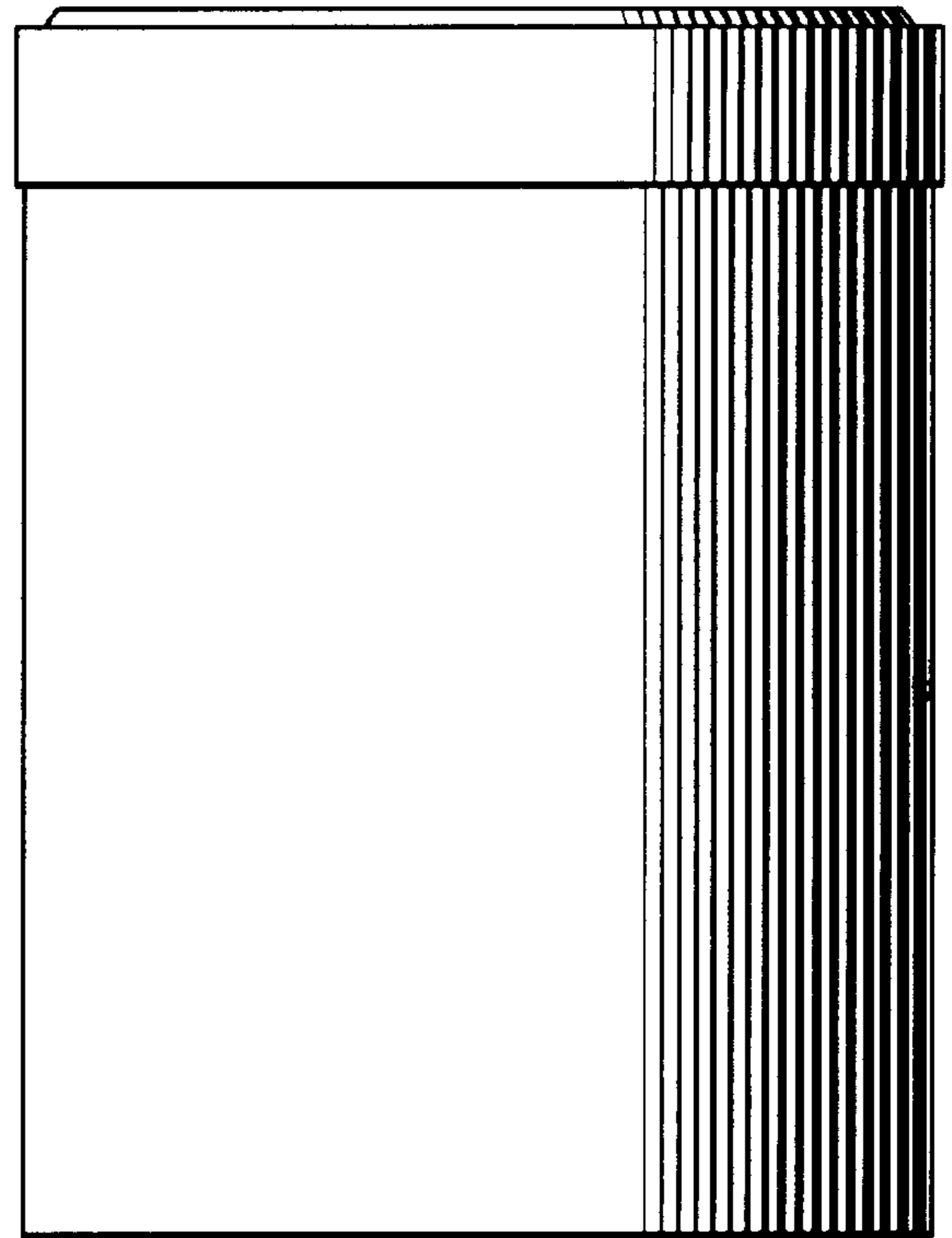
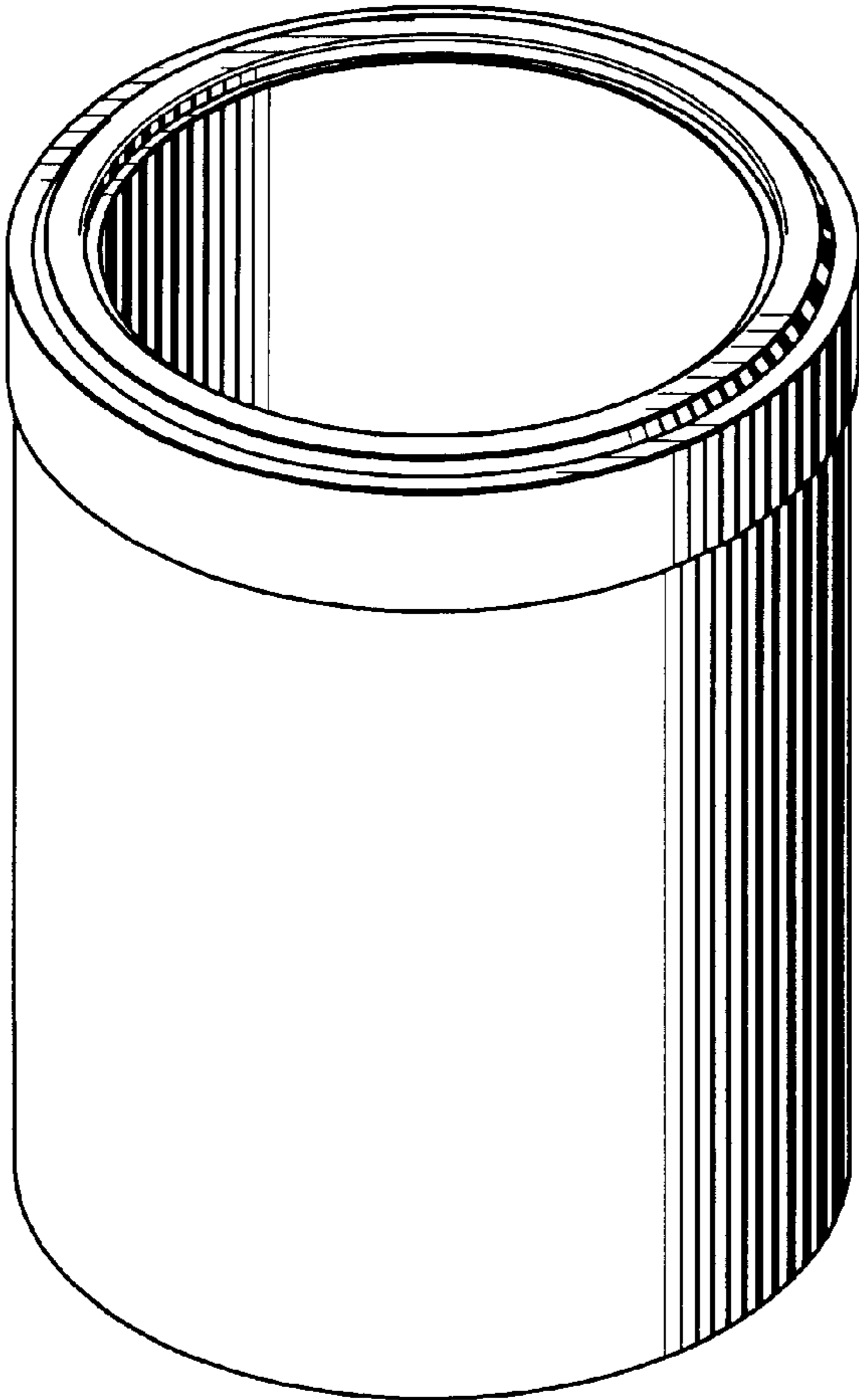
FIG. 3 is a top view of the insulated beverage holder.

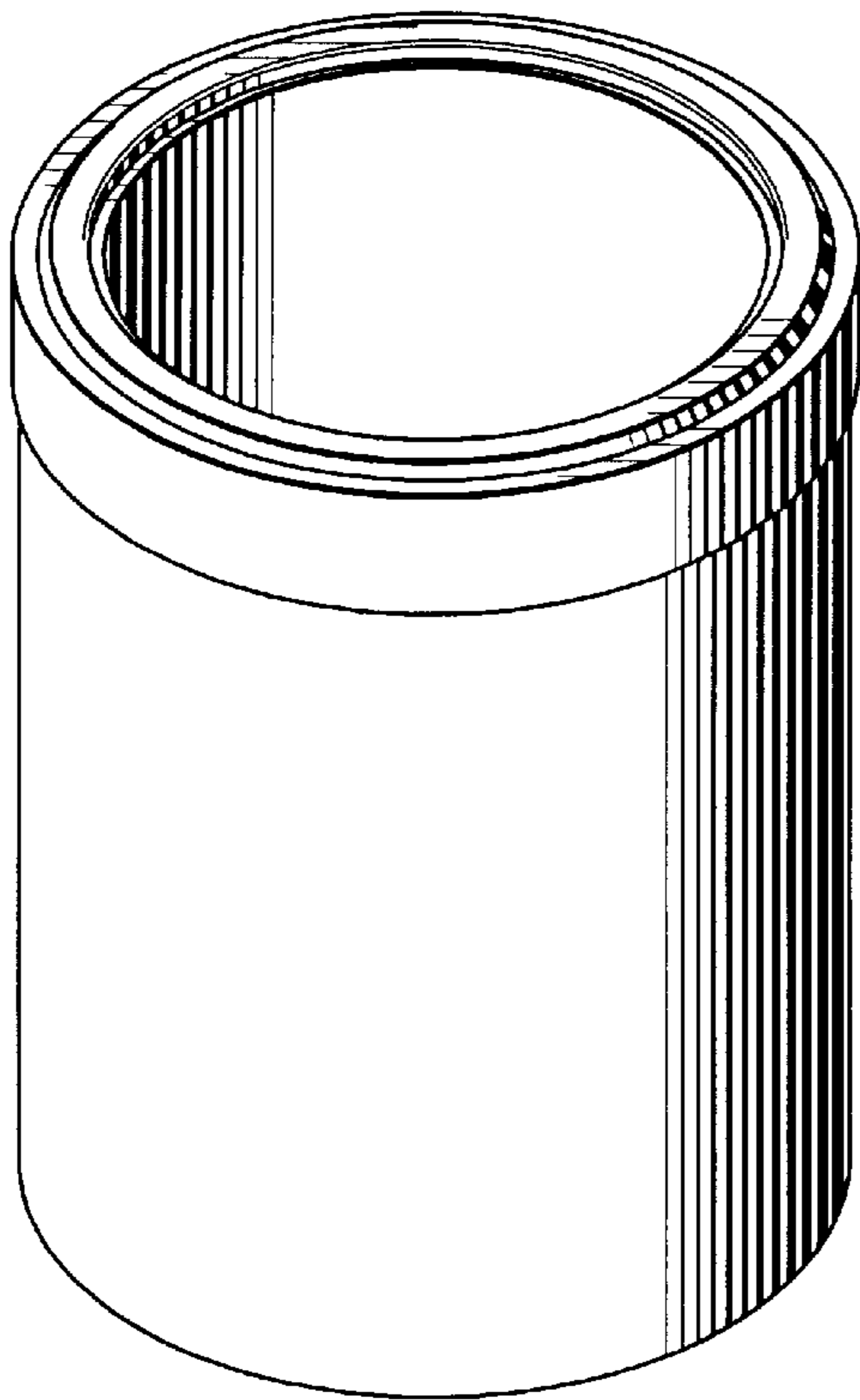
FIG. 4 is a bottom view of the insulated beverage holder.

FIG. 5 is a side view of the insulated beverage holder; and,

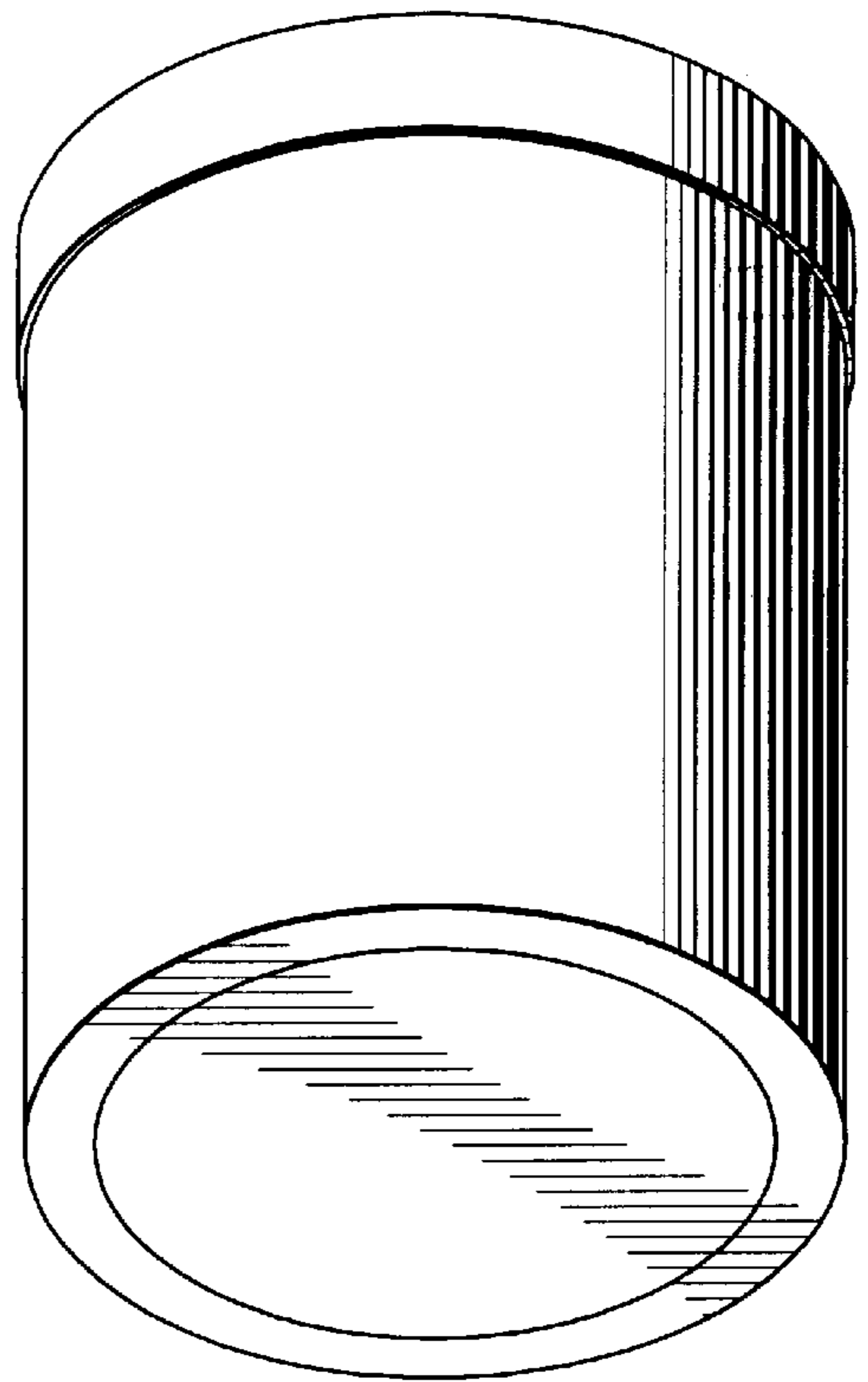
FIG. 6 is a cross sectional side view of the insulated beverage holder.

**1 Claim, 2 Drawing Sheets**

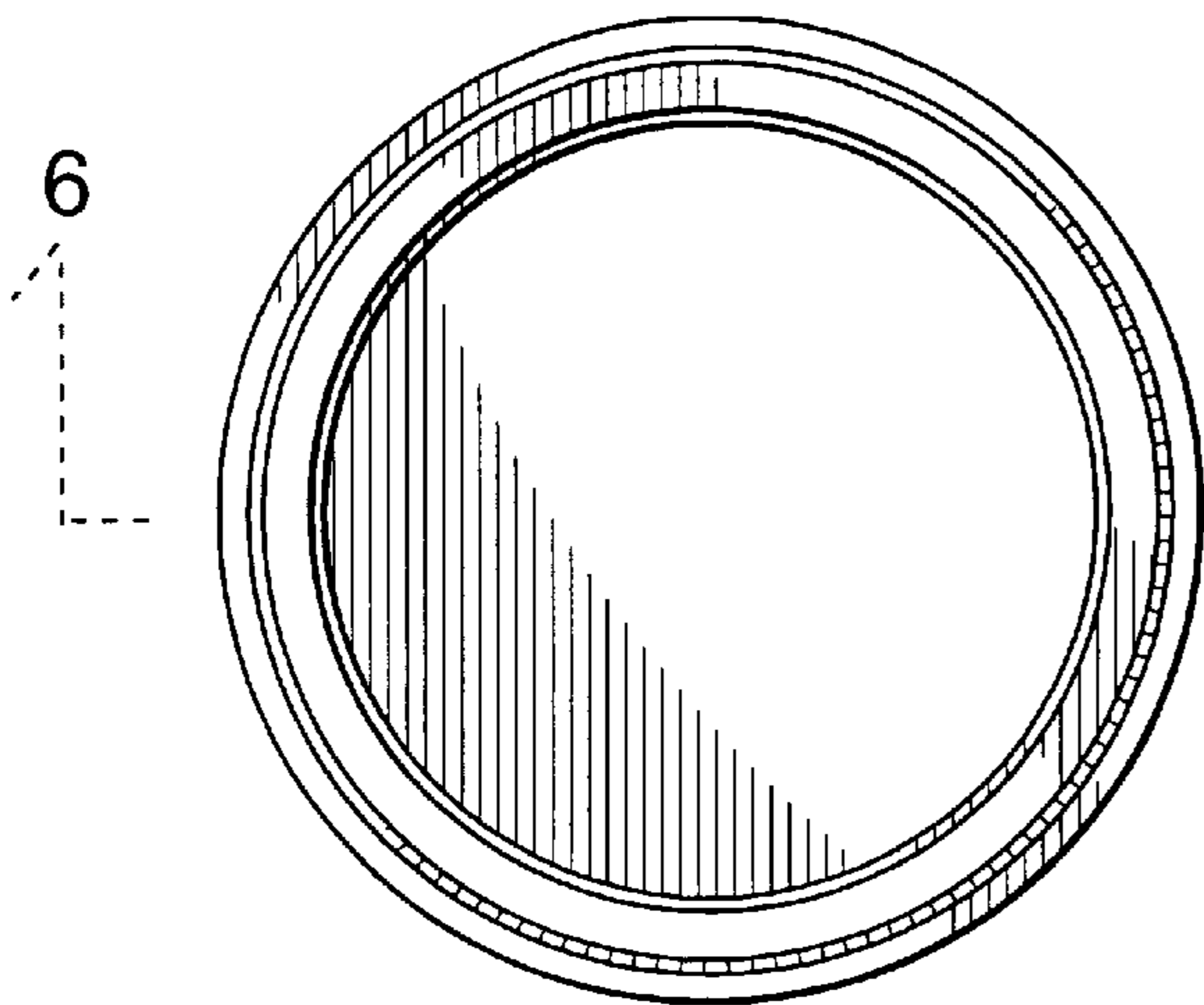




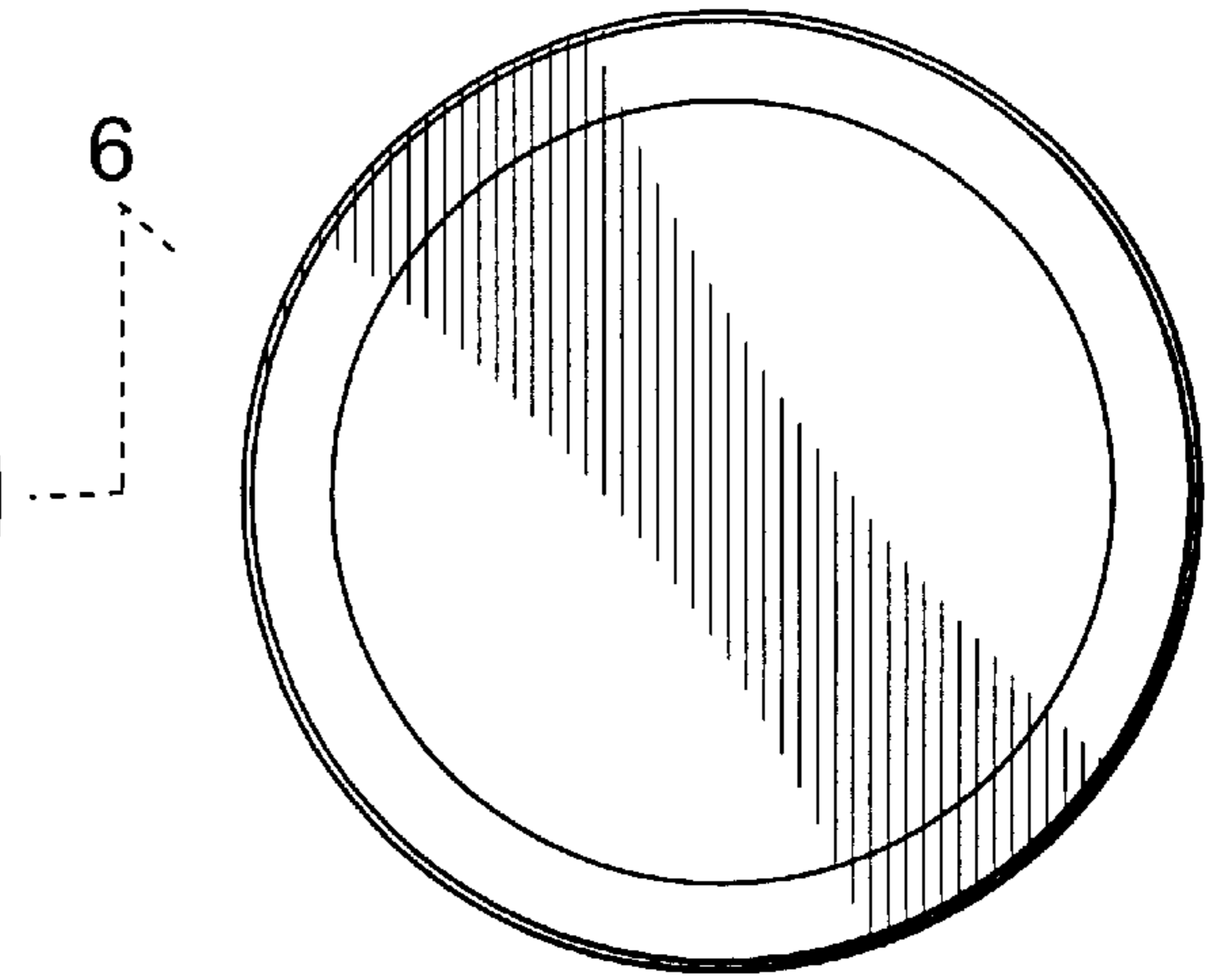
*Fig. 1*



*Fig. 2*

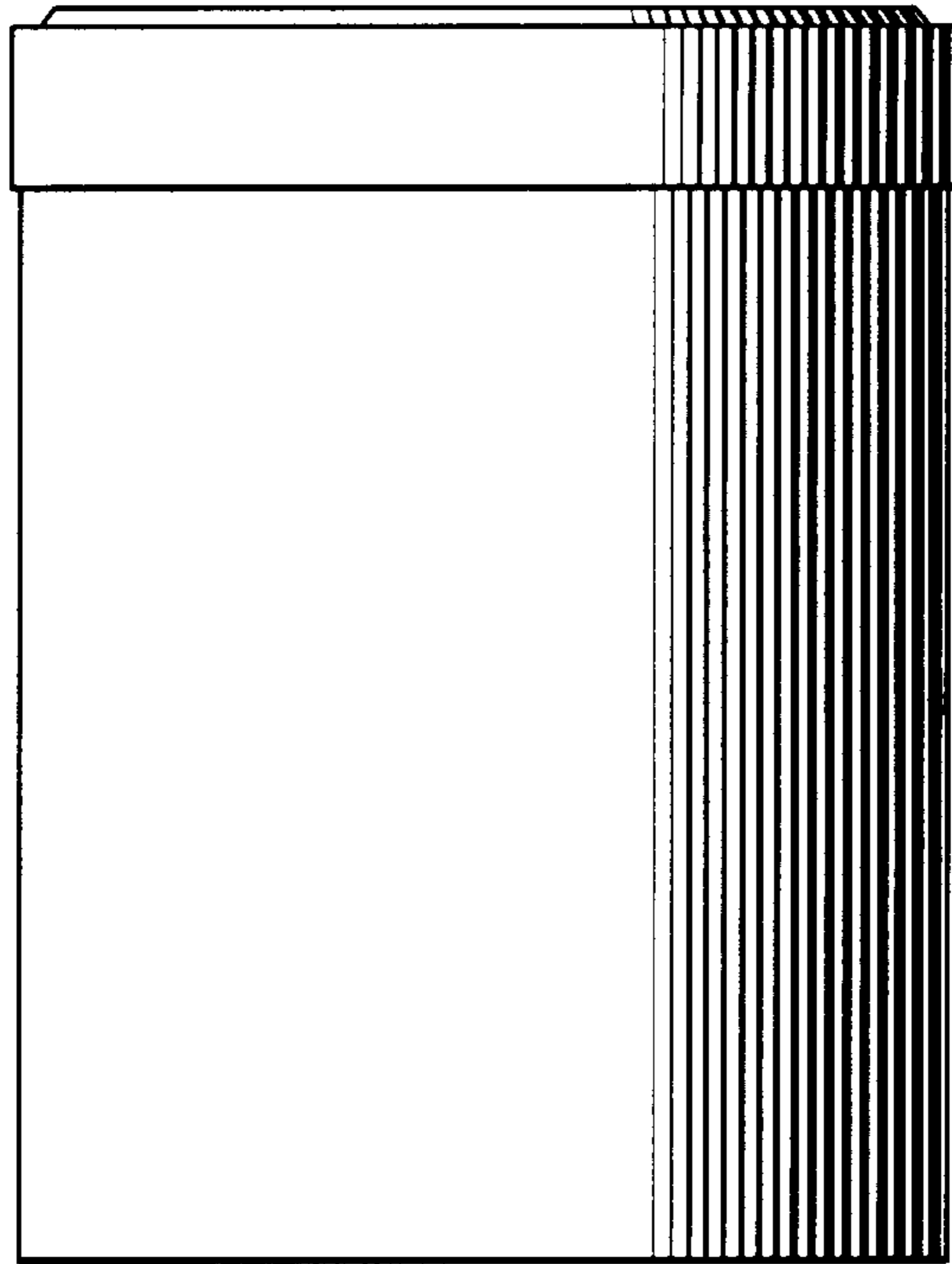


*Fig. 3*



*Fig. 4*

*Fig. 5*



*Fig. 6*

