



US00D442830S

(12) **United States Design Patent**  
**Raucci**

(10) **Patent No.:** **US D442,830 S**

(45) **Date of Patent:** **\*\* May 29, 2001**

(54) **PARTY SNACK TRAY**

*Primary Examiner*—Antoine Duval Davis

(76) **Inventor:** **Charles C. Raucci**, 373 Randy Rd.,  
Carol Stream, IL (US) 60188

(57) **CLAIM**

The ornamental design of a party snack tray, as shown and described.

(\*\*) **Term:** **14 Years**

**DESCRIPTION**

(21) **Appl. No.:** **29/123,357**

**FIG. 1.** Is an isometric view of the party snack tray showing my new design in accordance with the present invention;

(22) **Filed:** **May 17, 2000**

**FIG. 2.** Is a top plan view thereof;

(51) **LOC (7) Cl.** ..... **07-01**

**FIG. 3.** Is a front edge view of the embodiment of FIGS. 1 and 2;

(52) **U.S. Cl.** ..... **D7/554.3**

**FIG. 4.** Is a left side view of the embodiment of FIGS. 1 and 2;

(58) **Field of Search** ..... D7/550.1, 553.5,

D7/554.3, 555; 220/575, 679, 671, 632,

670, 17.1, 339, 574

**FIG. 5.** Is a right side view of the embodiment of FIGS. 1 and 2;

(56) **References Cited**

**FIG. 6.** Is a rear edge view of the embodiment of FIGS. 1 and 2;

**U.S. PATENT DOCUMENTS**

D. 301,820 \* 6/1989 Wasserman ..... D7/550.1

**FIG. 7.** Is a bottom plan view of the embodiment of FIGS. 1 and 2;

D. 336,407 \* 6/1993 Harding et al. .... D7/553

**FIG. 8.** Is an isometric view of a modified form of my new design; and,

D. 349,426 \* 8/1994 Norris ..... D7/553

**FIG. 9.** Is a top plan view of the embodiment of FIG. 8.

3,498,470 \* 3/1970 Thomas ..... D7/550.1

\* cited by examiner

**1 Claim, 3 Drawing Sheets**

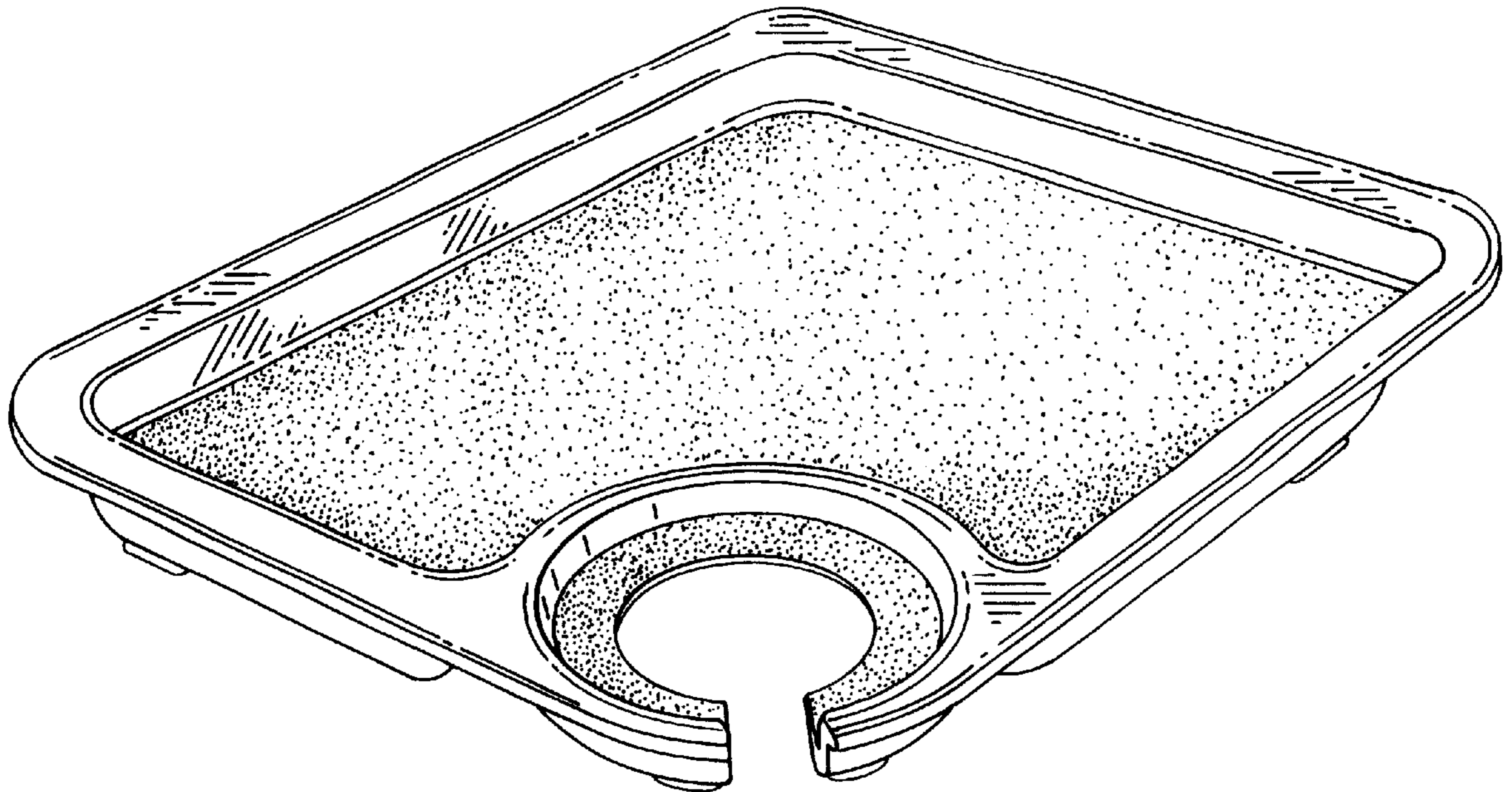


FIG. 1

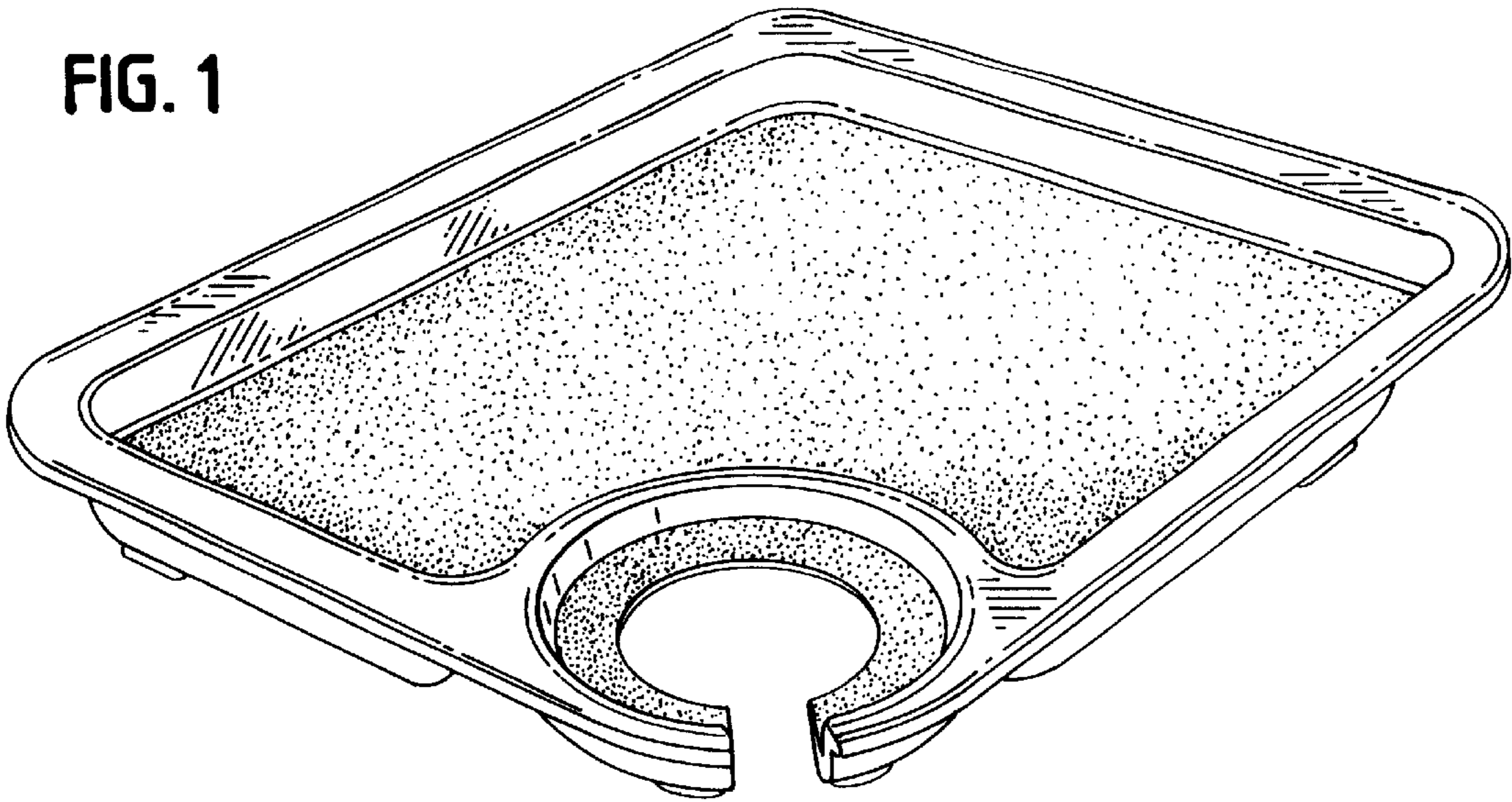


FIG. 2

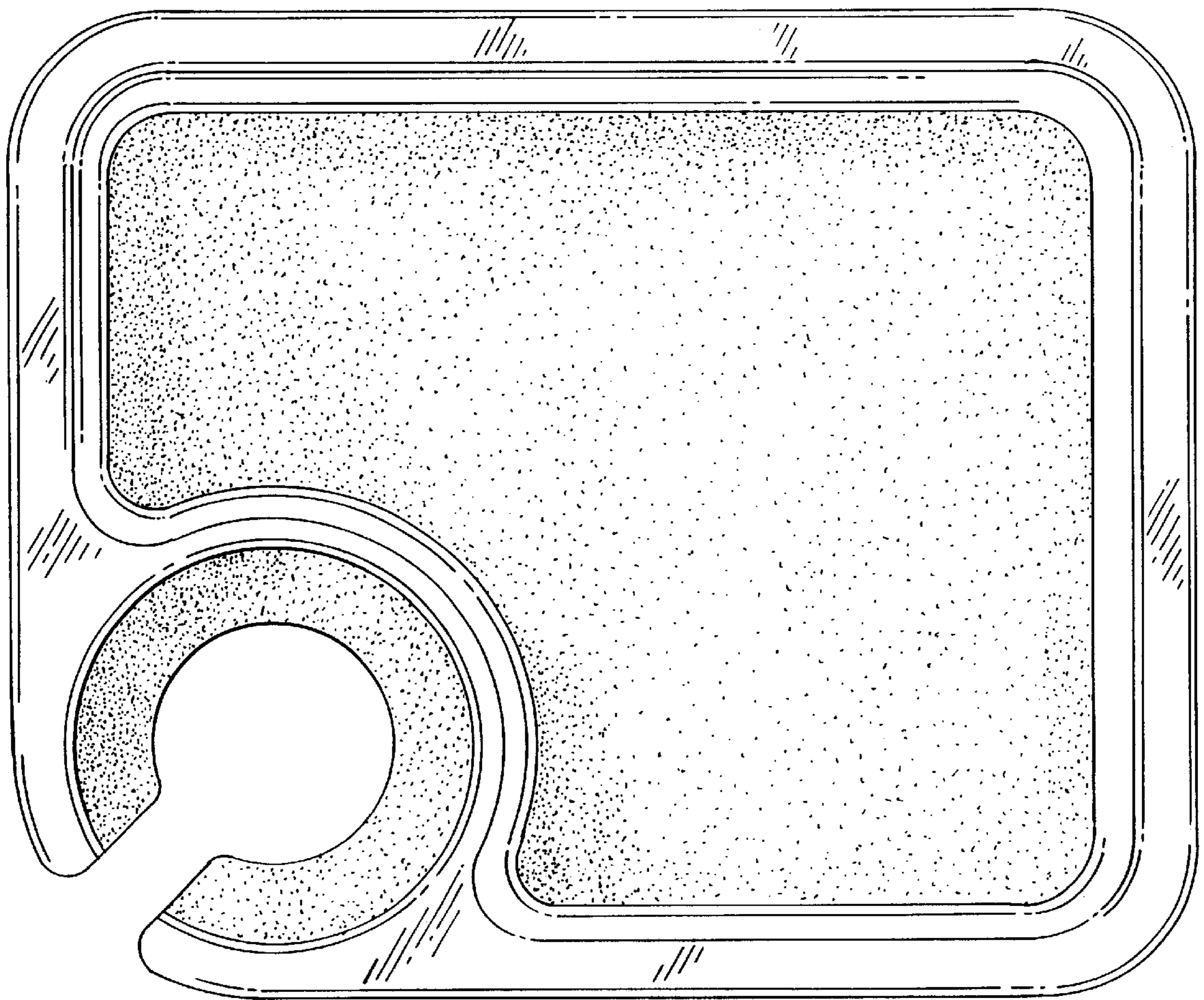


FIG. 3



FIG. 4



FIG. 5

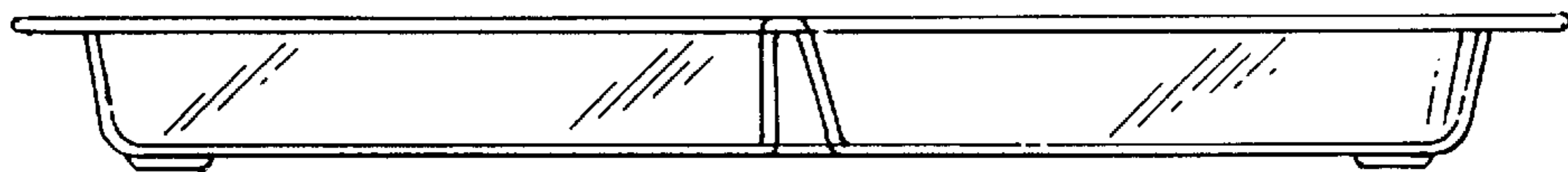


FIG. 6

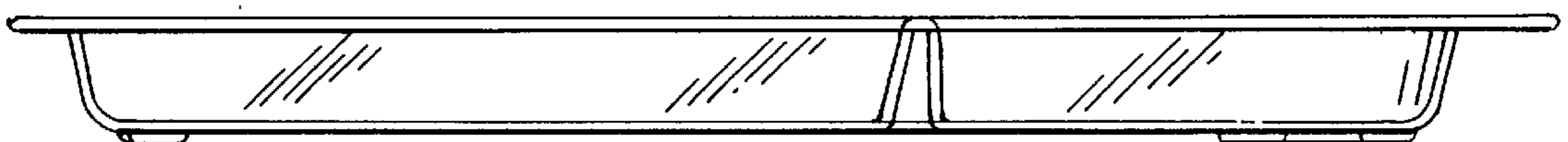


FIG. 7

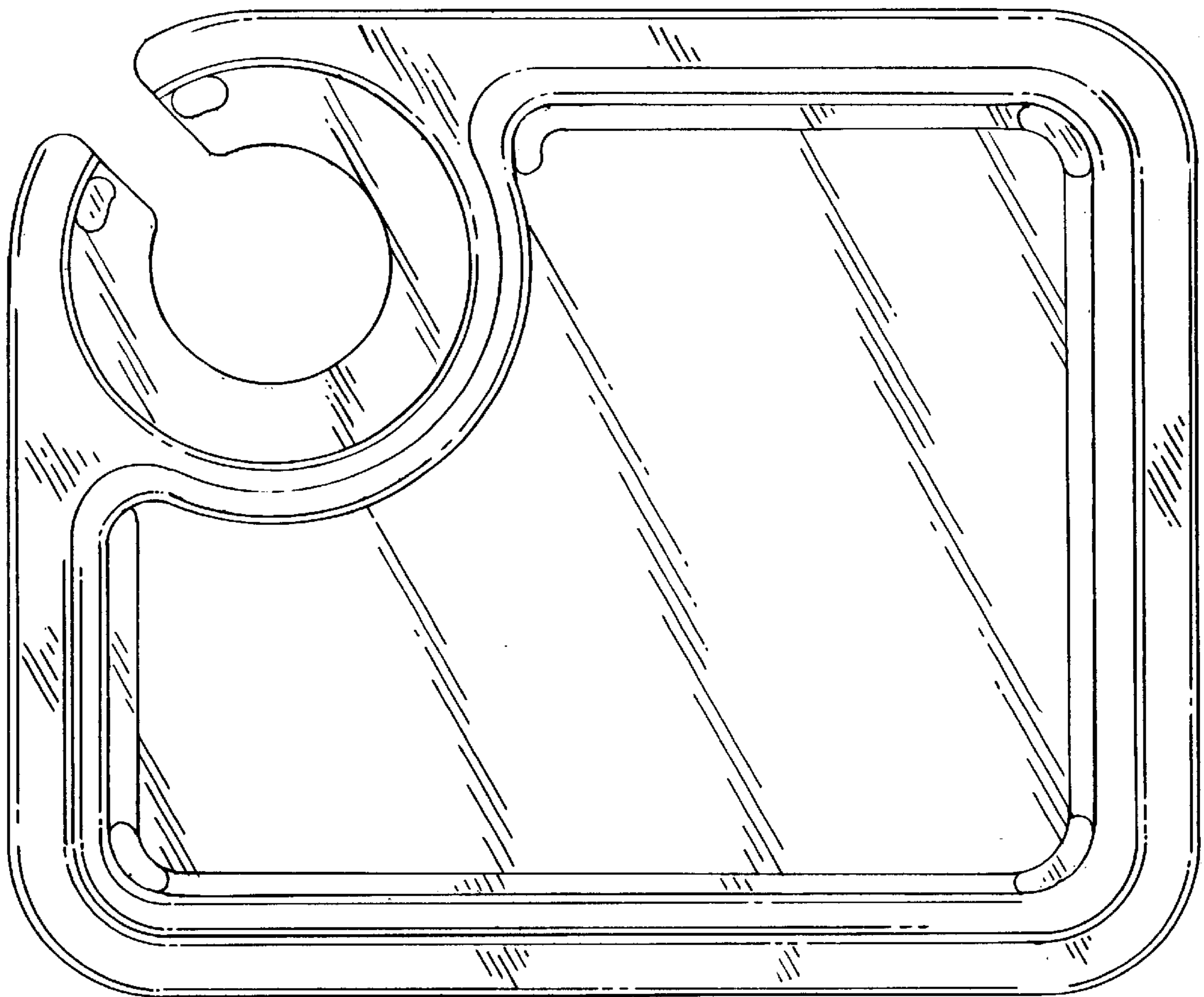


FIG. 8

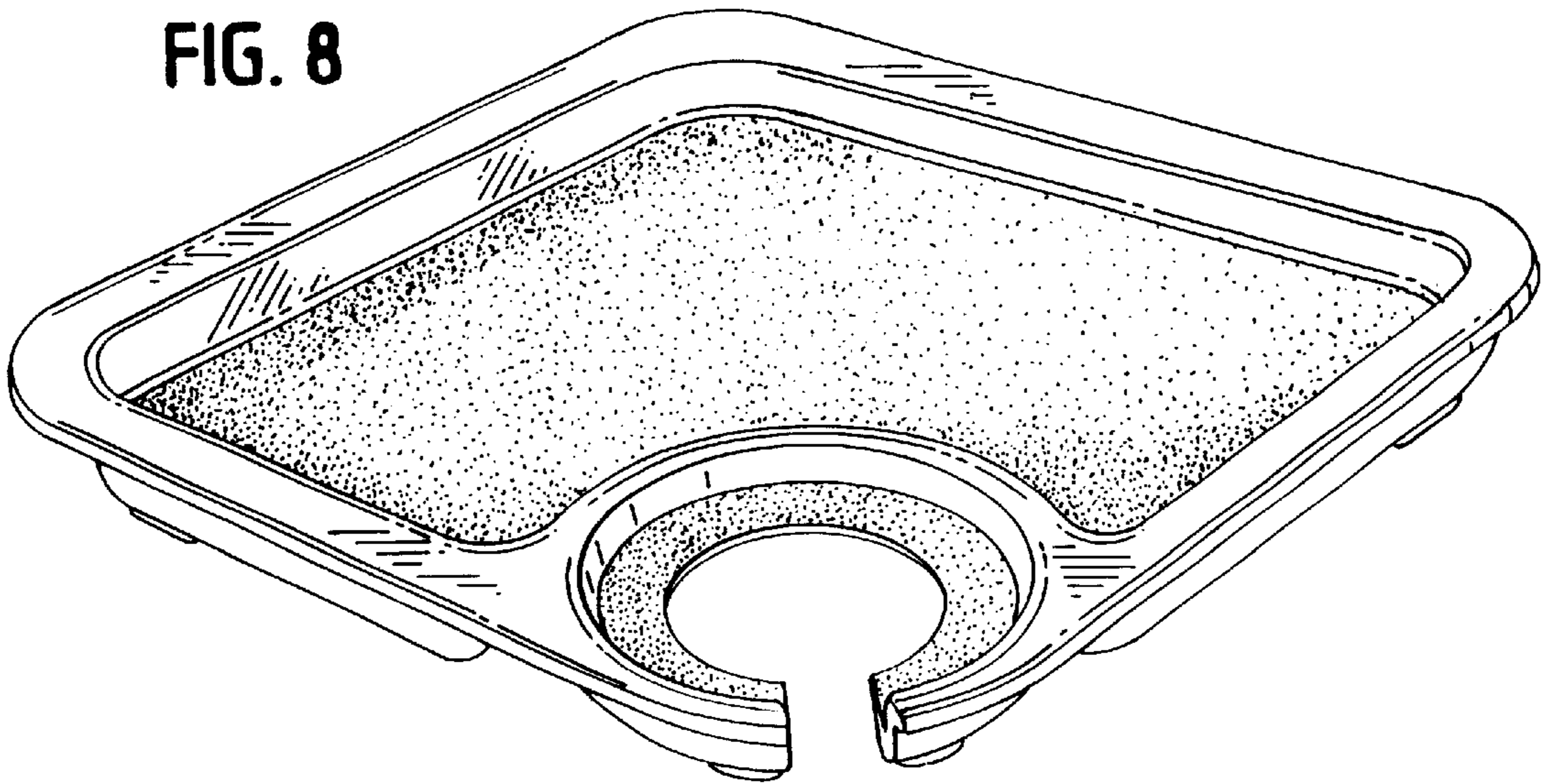


FIG. 9

