



US00D442828S

(12) **United States Design Patent**
Tubby et al.

(10) **Patent No.:** **US D442,828 S**

(45) **Date of Patent:** **** May 29, 2001**

(54) **UTILITY LIGHTER**

TO970017 U 1/1997 (IT) .

(75) Inventors: **Brian J. Tubby**, Milford; **Michael Kent**, Cheshire, both of CT (US);
Elizabeth Goodrich, Roslindale;
Stefane Barbeau, Roxbury, both of MA (US)

* cited by examiner

Primary Examiner—M. N. Pandozzi
(74) *Attorney, Agent, or Firm*—Pennie & Edmonds LLP

(73) Assignee: **BIC Corporation**, Milford, CT (US)

(57) **CLAIM**

(**) Term: **14 Years**

The ornamental design for a utility lighter, as shown and described in the attached drawings.

(21) Appl. No.: **29/117,320**

(22) Filed: **Jan. 24, 2000**

DESCRIPTION

(51) **LOC (7) Cl.** **07-99**

(52) **U.S. Cl.** **D7/416**

(58) **Field of Search** D7/416, 417; D27/147,
D27/139, 141, 154; 417/411; 431/345, 153,
255, 254, 13; 361/260; 126/414, 25 B

FIG. 1 is a front perspective view of a first embodiment of a utility lighter illustrating our new design, wherein the lighter is in a closed position;

FIG. 2 is a back perspective view of the utility lighter in FIG. 1;

FIG. 3 is a back view of the utility lighter shown in FIG. 1;

FIG. 4 is a front view of the utility lighter shown in FIG. 1;

FIG. 5 is a top view of the utility lighter shown in FIG. 1;

FIG. 6 is a bottom view of the utility lighter shown in FIG. 1;

FIG. 7 is an end view of the utility lighter shown in FIG. 1;

FIG. 8 is the other end view of the utility lighter shown in FIG. 1;

FIG. 9 is a front perspective view of the utility lighter in FIG. 1, wherein the lighter is in an open position;

FIG. 10 is a back perspective view of the utility lighter in FIG. 9;

FIG. 11 is a front view of the utility lighter shown in FIG. 9;

FIG. 12 is a back view of the utility lighter shown in FIG. 9;

FIG. 13 is a top view of the utility lighter shown in FIG. 9;

FIG. 14 is a bottom view of the utility lighter shown in FIG. 9;

FIG. 15 is an end view of the utility lighter shown in FIG. 9; and,

FIG. 16 is the other end view of the utility lighter shown in FIG. 9.

Any showing of the color contrast in FIGS. 1–16 is for illustrative purposes only and forms no part of the claimed design.

(56) **References Cited**

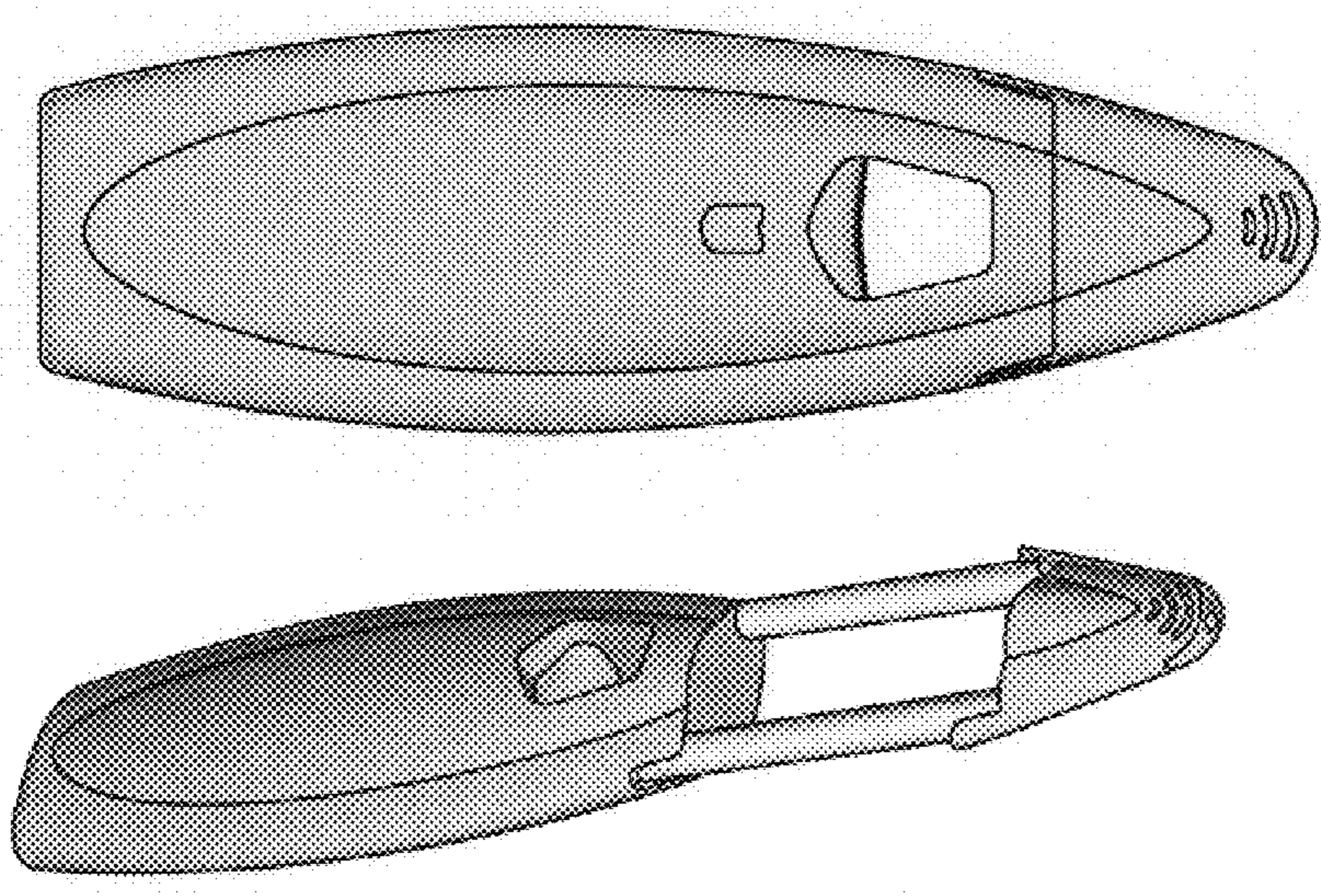
U.S. PATENT DOCUMENTS

D. 188,083	5/1960	Ogle .	
D. 192,587	4/1962	Drugmand .	
D. 203,956	3/1966	Hauenstein .	
D. 204,436	4/1966	Bourner .	
D. 217,069	* 3/1970	Arifian	D7/416
D. 285,334	8/1986	Johnson .	
D. 298,272	* 10/1988	Nitta	D7/416
D. 365,726	* 1/1996	Hsu	D7/416
D. 405,644	* 2/1999	Hsu	D7/416
D. 425,369	* 5/2000	Sung	D7/416
4,538,983	9/1985	Zeller et al. .	
4,569,654	2/1986	Borghesi .	
4,778,379	10/1988	Nitta .	
4,778,380	10/1988	Nitta .	
5,199,865	4/1993	Liang .	
5,369,556	11/1994	Zeller .	

FOREIGN PATENT DOCUMENTS

1197225	11/1988	(IT) .
BO950091 U	5/1995	(IT) .

1 Claim, 8 Drawing Sheets



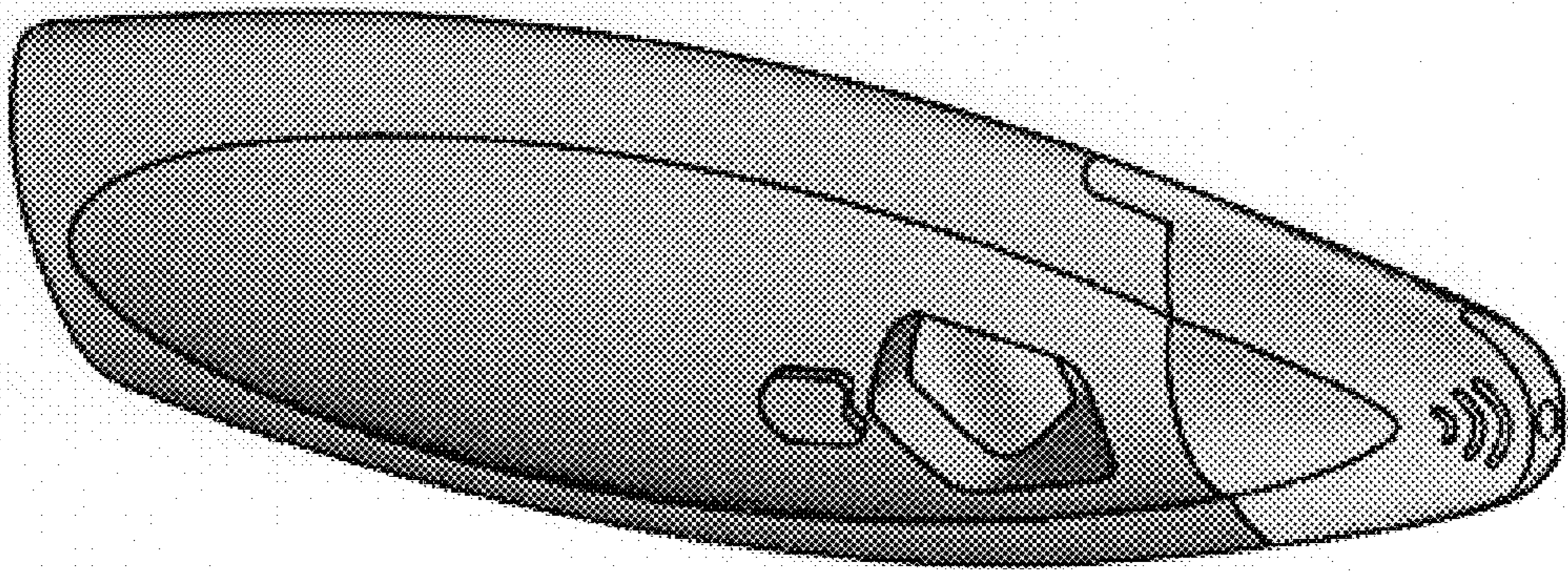


Fig. 1

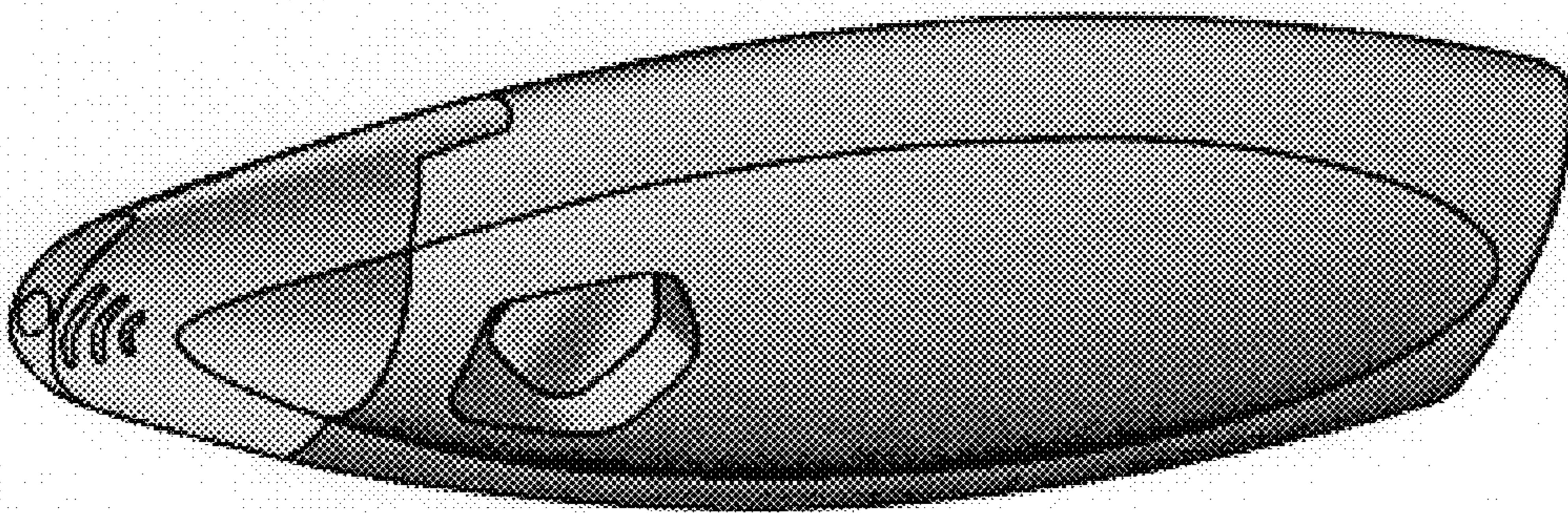


Fig. 2

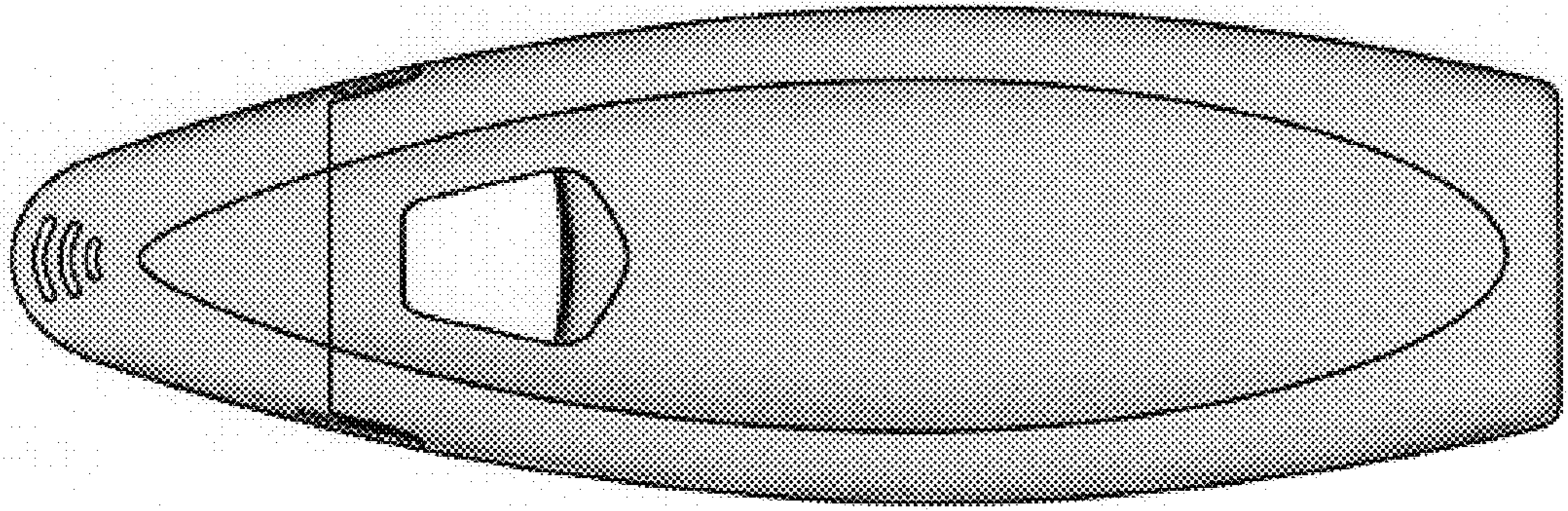


Fig. 3

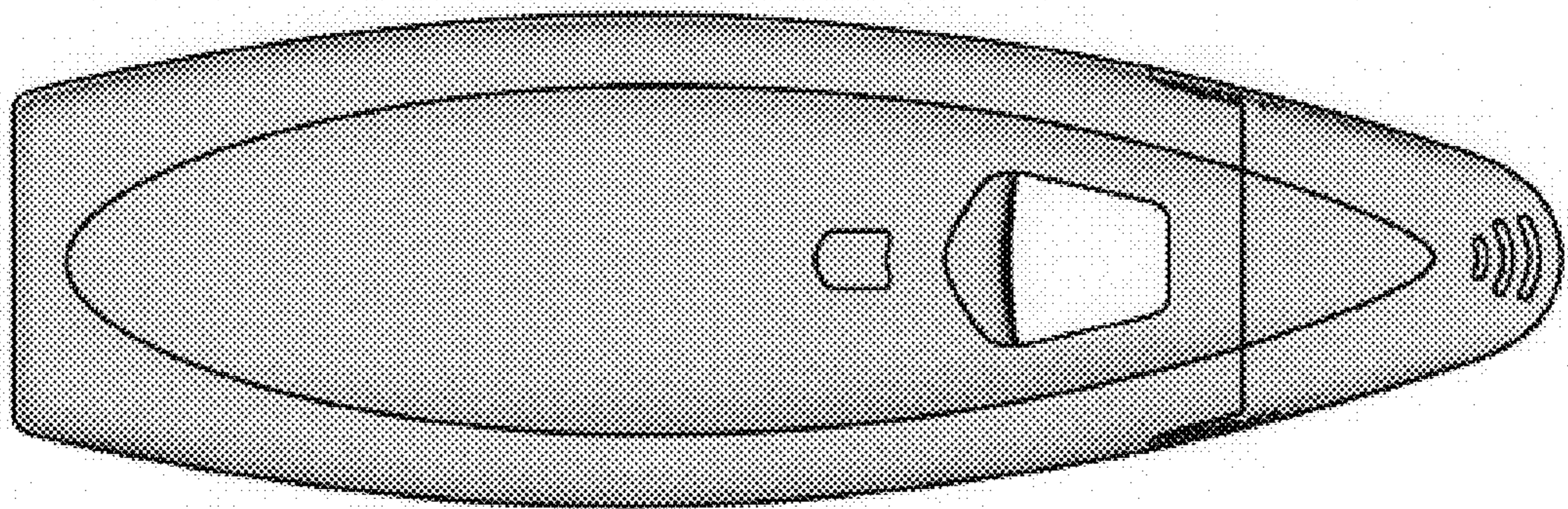


Fig. 4

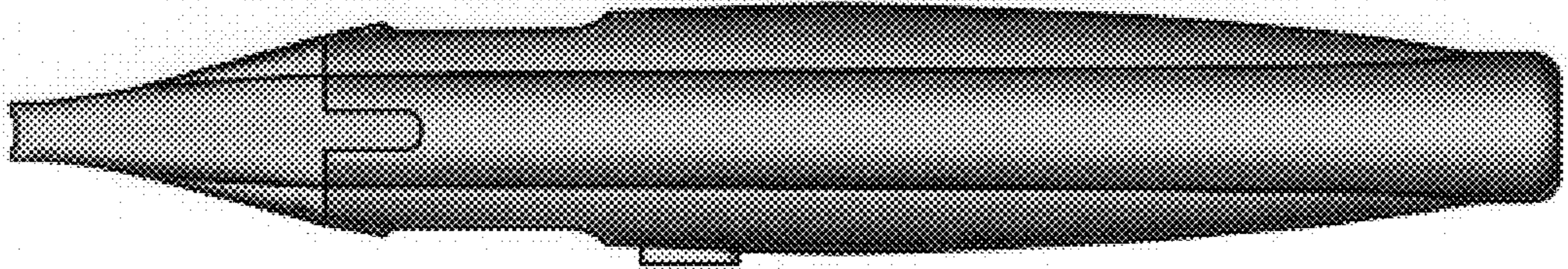


Fig. 5

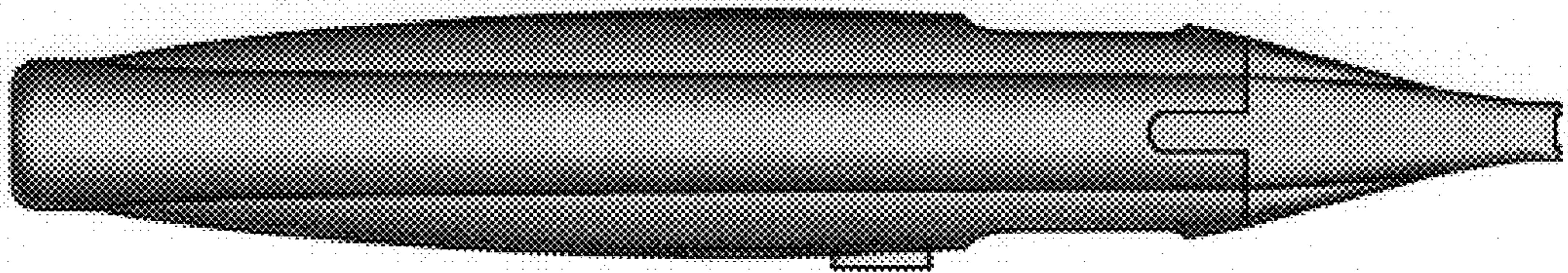


Fig. 6

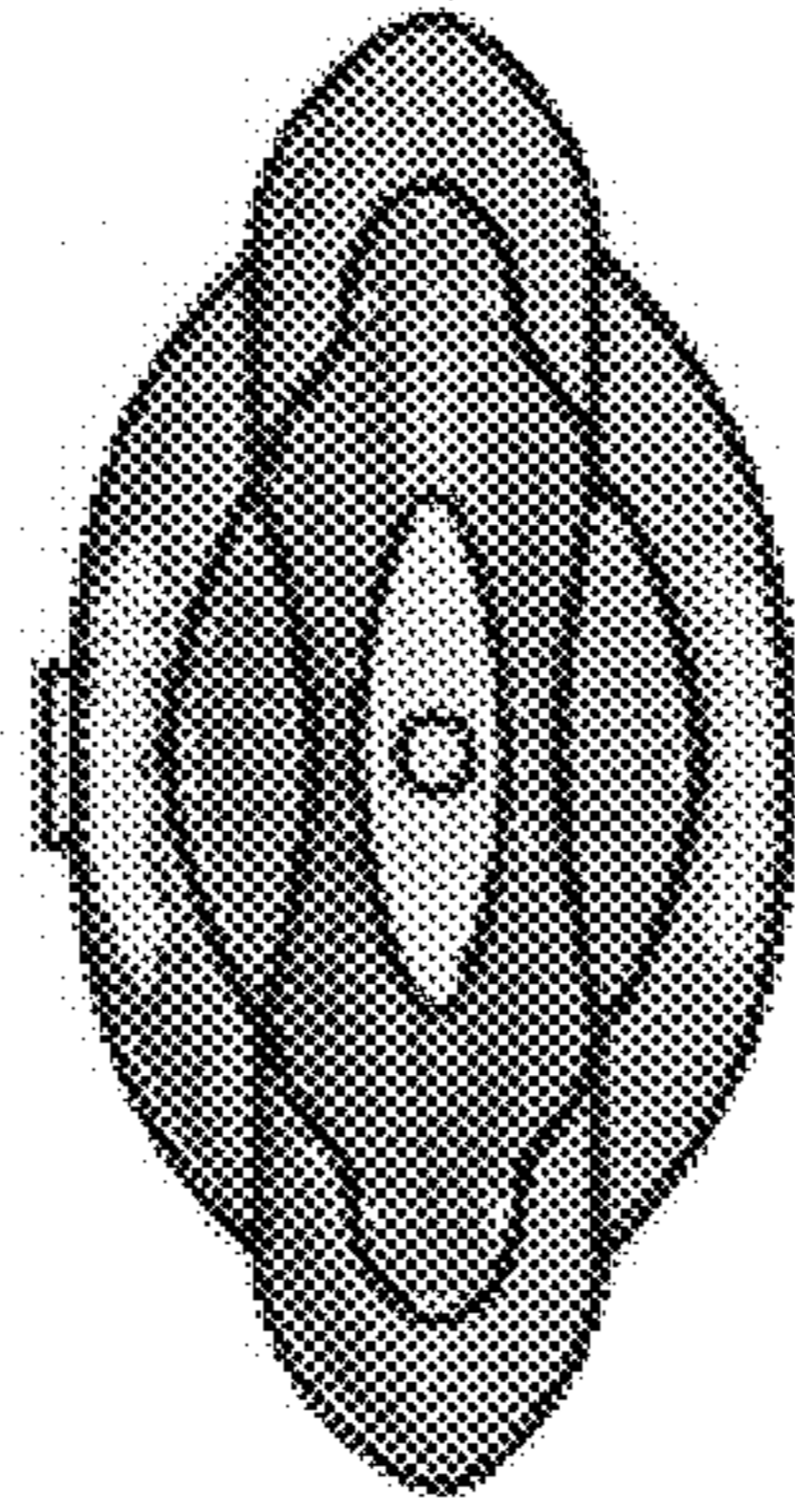


Fig. 7

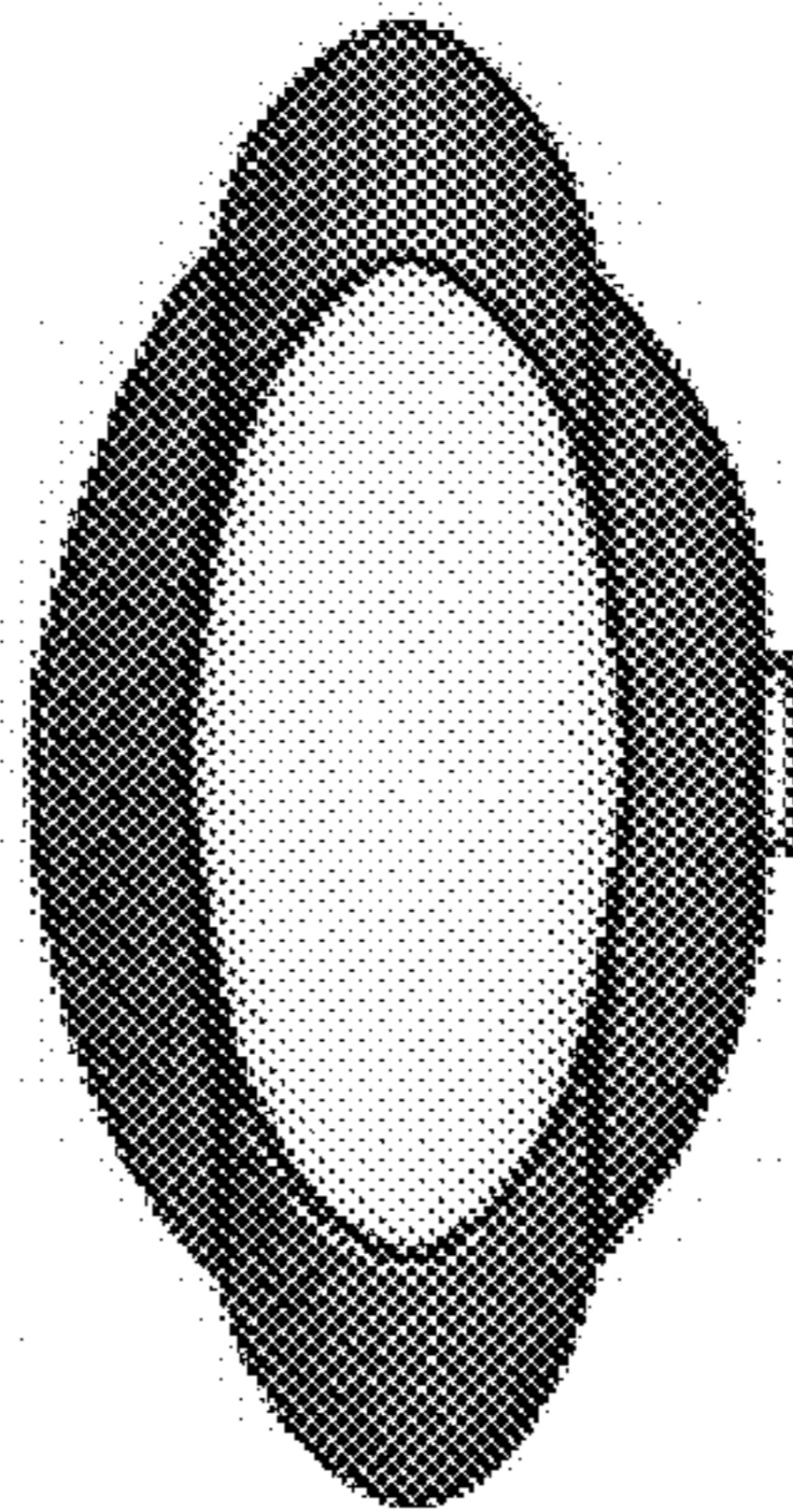


Fig. 8

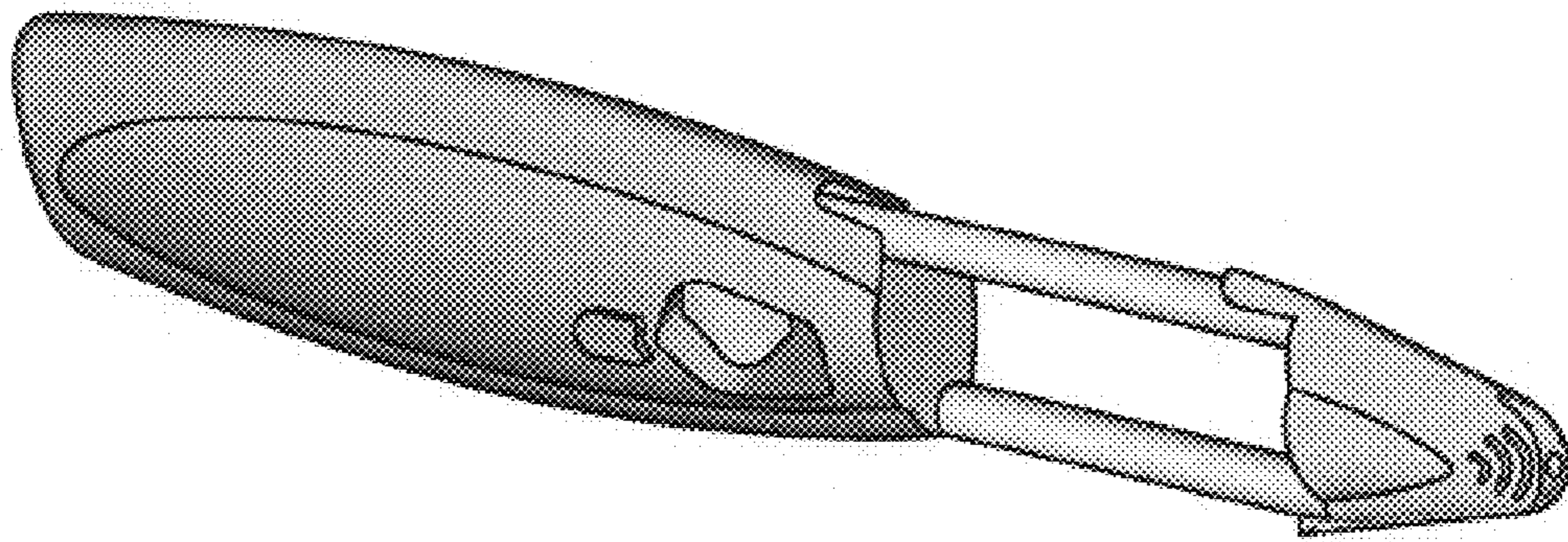


Fig. 9

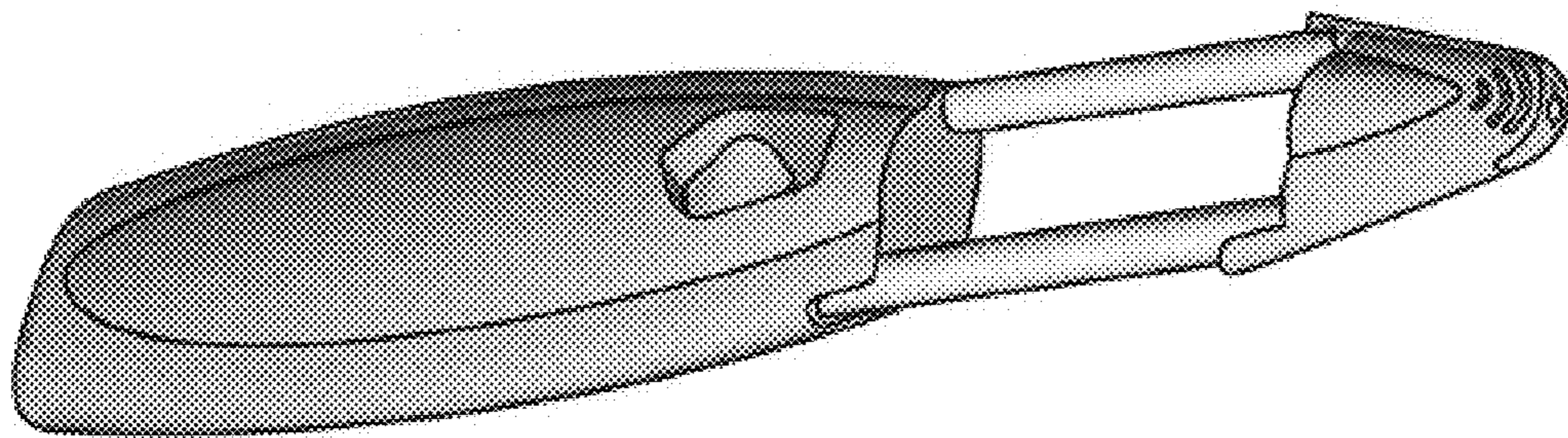


Fig. 10

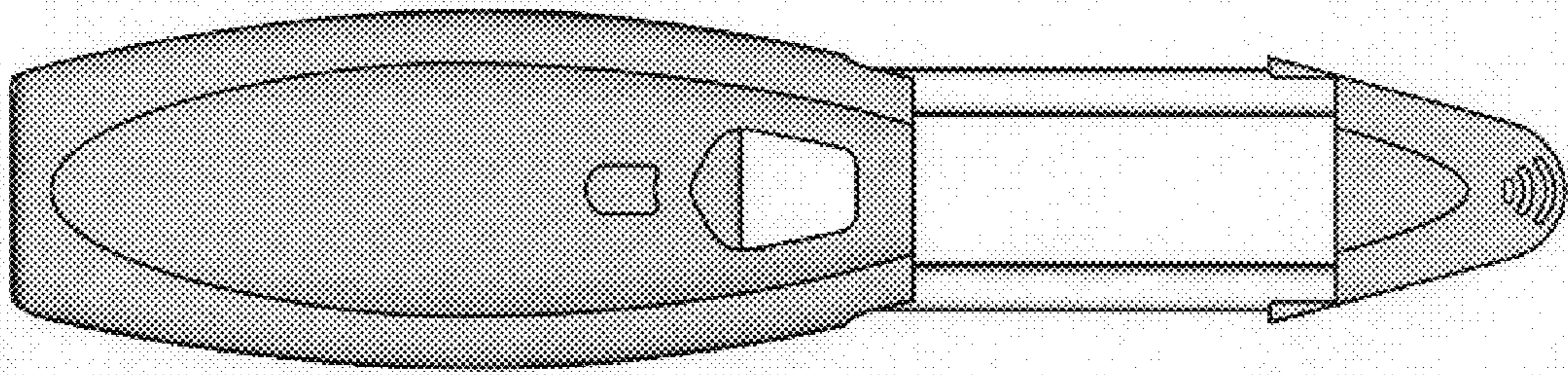


Fig. 11

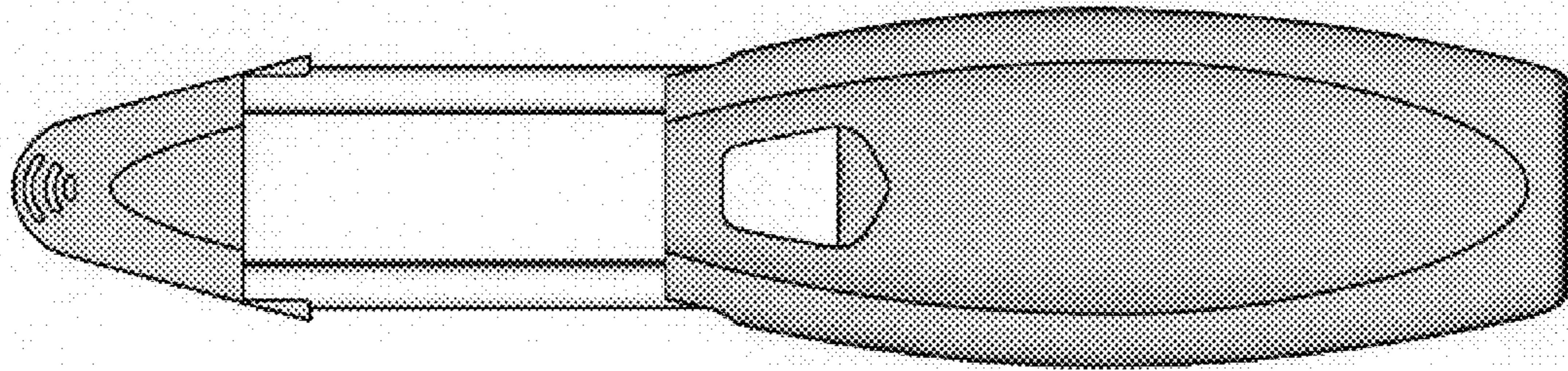


Fig. 12

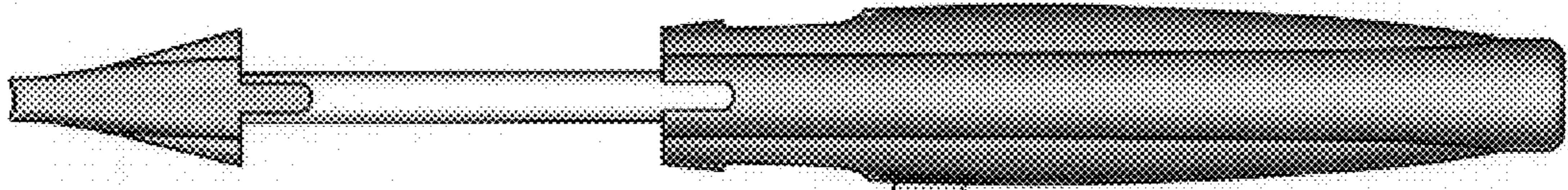


Fig. 13

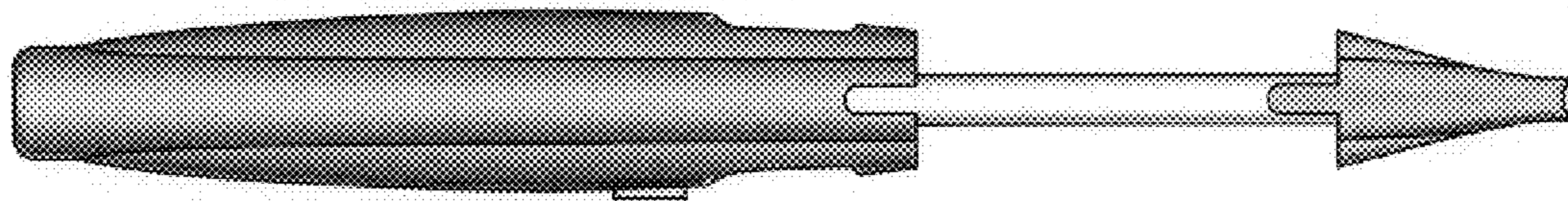


Fig. 14

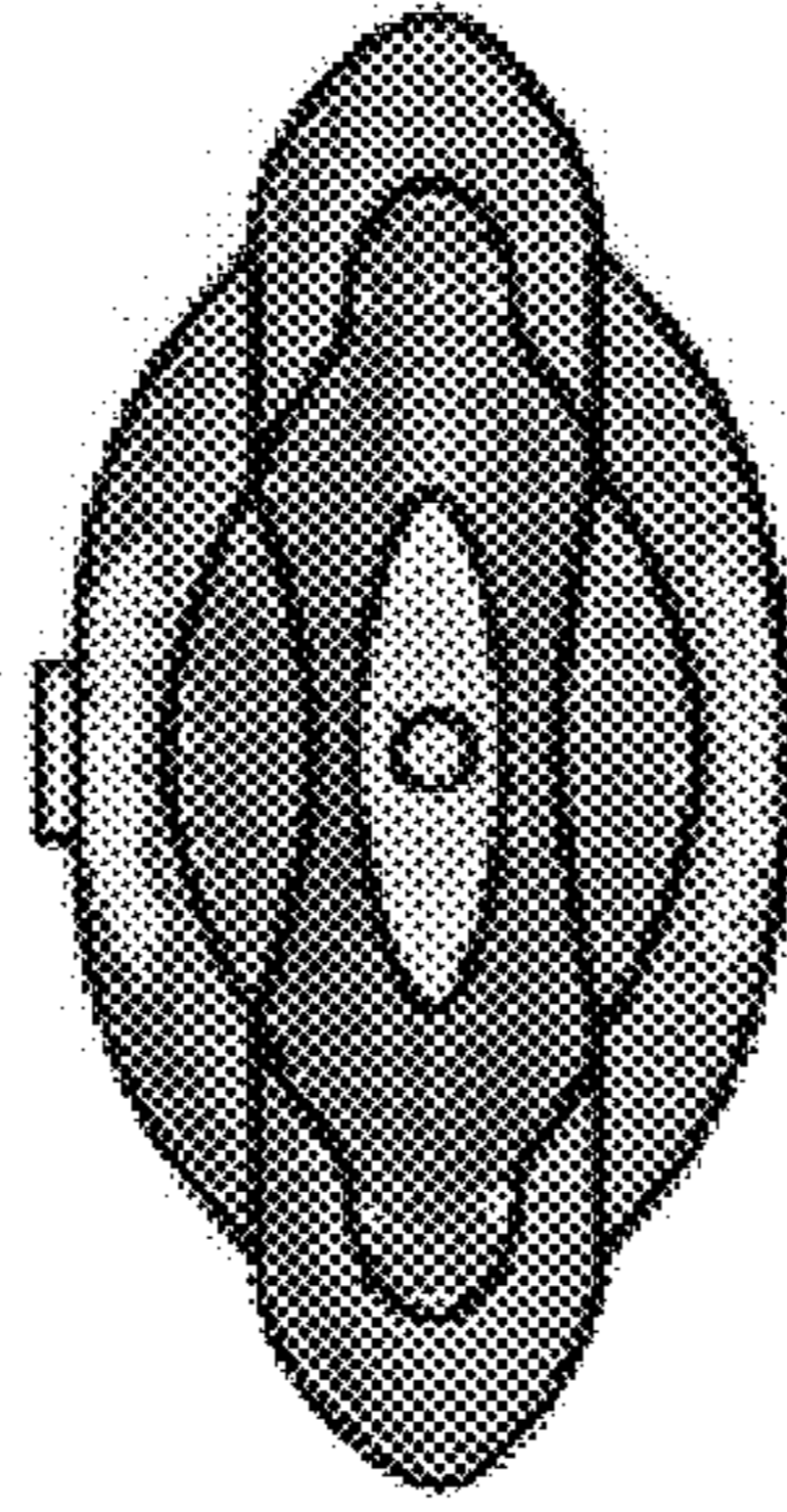


Fig. 15

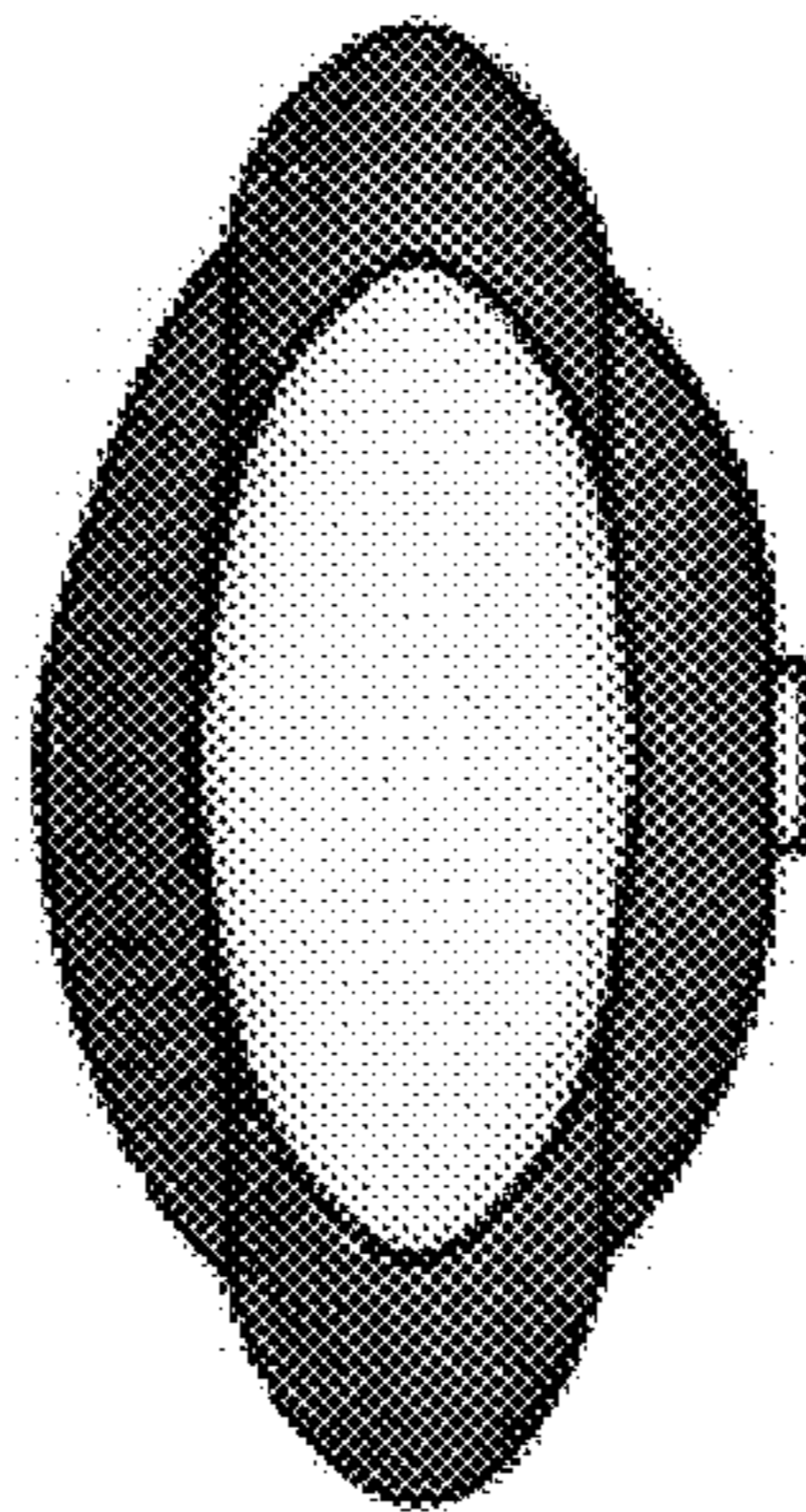


Fig. 16