



US00D442825S

(12) **United States Design Patent**
Svestkova

(10) **Patent No.:** **US D442,825 S**

(45) **Date of Patent:** **** May 29, 2001**

(54) **DRINKING GLASS STEM**

(75) Inventor: **Eva Svestkova, Novy Bor (CZ)**

(73) Assignee: **Crystalex a.s. (CZ)**

(**) Term: **14 Years**

(21) Appl. No.: **29/127,769**

(22) Filed: **Aug. 14, 2000**

(30) **Foreign Application Priority Data**

Feb. 14, 2000 (CZ) PVZ 2000-32282

(51) **LOC (7) Cl.** **07-99**

(52) **U.S. Cl.** **D7/396.6; D7/518; D7/537**

(58) **Field of Search** **D7/396.6, 525, D7/528, 527, 518, 537, 526; 220/23.83; 211/72**

(56) **References Cited**

U.S. PATENT DOCUMENTS

- D. 48,809 * 4/1916 Baldwin D7/518
- D. 72,032 * 2/1927 Ripley D7/527
- D. 73,055 * 7/1927 Schmidt D7/525
- D. 79,226 * 8/1929 Bottone D7/527
- D. 107,042 * 11/1937 Cunningham D7/537
- D. 158,131 * 4/1950 Sakier D7/527
- D. 165,265 * 11/1951 Carlson D7/525
- D. 278,591 * 4/1985 Seibel D7/527
- D. 278,784 * 5/1985 Seibel D7/527
- D. 278,785 * 5/1985 Seibel D7/527
- D. 299,993 * 2/1989 Durand D7/527

- D. 308,791 * 6/1990 Durand D7/526
- D. 370,597 * 6/1996 Hoffer D7/525
- D. 419,380 * 1/2000 Yot D7/527

* cited by examiner

Primary Examiner—M. N. Pandozzi

(74) *Attorney, Agent, or Firm*—Dykema Gossett pLLC

(57) **CLAIM**

The ornamental design for a drinking glass stem, as shown and described.

DESCRIPTION

FIG. 1 is a front elevation of a drinking glass stem according to the invention;

FIG. 2 is a left elevation of the drinking glass stem of FIG. 1;

FIG. 3 is a cross-sectional view taken along the line 3—3 of FIG. 2;

FIG. 4 is a bottom view of the drinking glass stem of FIG. 1;

FIG. 5 is a rear elevation of the drinking glass stem of FIG. 1;

FIG. 6 is a right elevation of the drinking glass stem of FIG. 1;

FIG. 7 is a cross-sectional view taken along the line 7—7 of FIG. 5; and,

FIG. 8 is a front perspective view of the drinking glass stem of FIG. 1.

The dotted lines in FIGS. 1, 2, 5 and 6 are for background purposes and form no part of the present design.

1 Claim, 2 Drawing Sheets

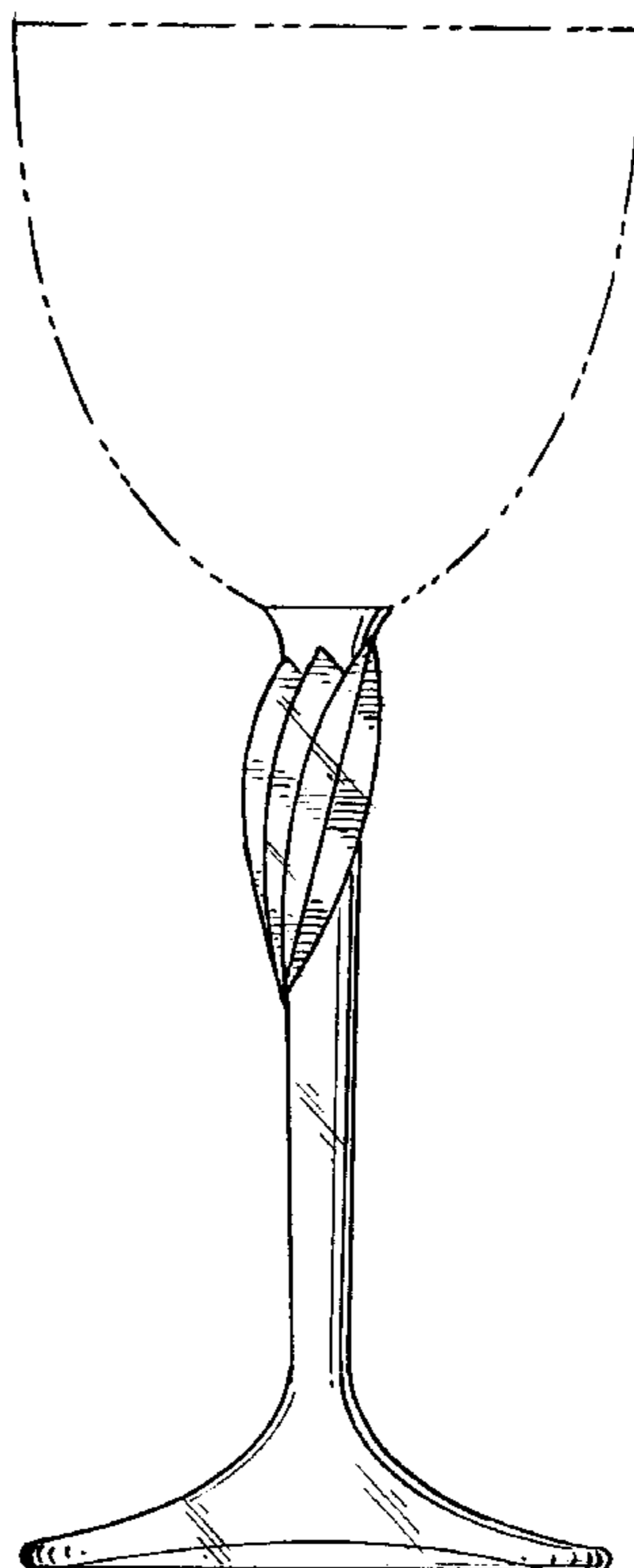


FIG. 1

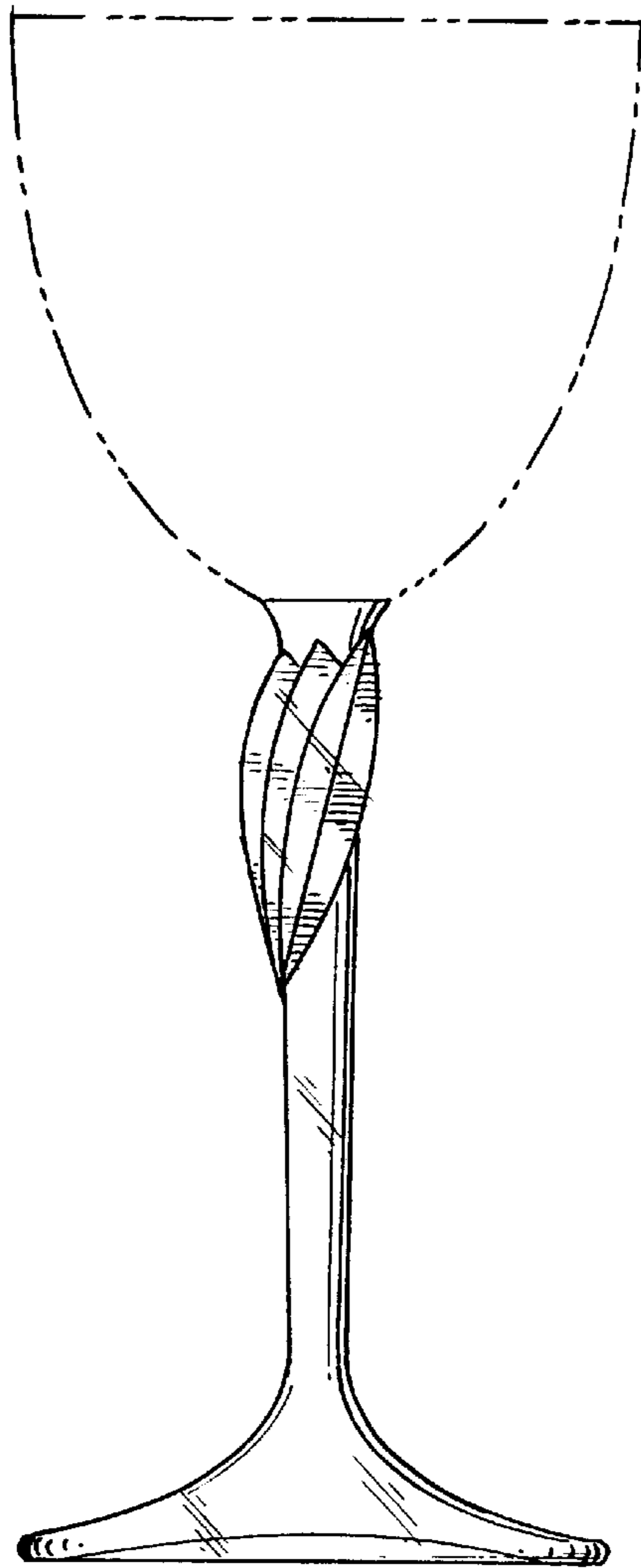


FIG. 2

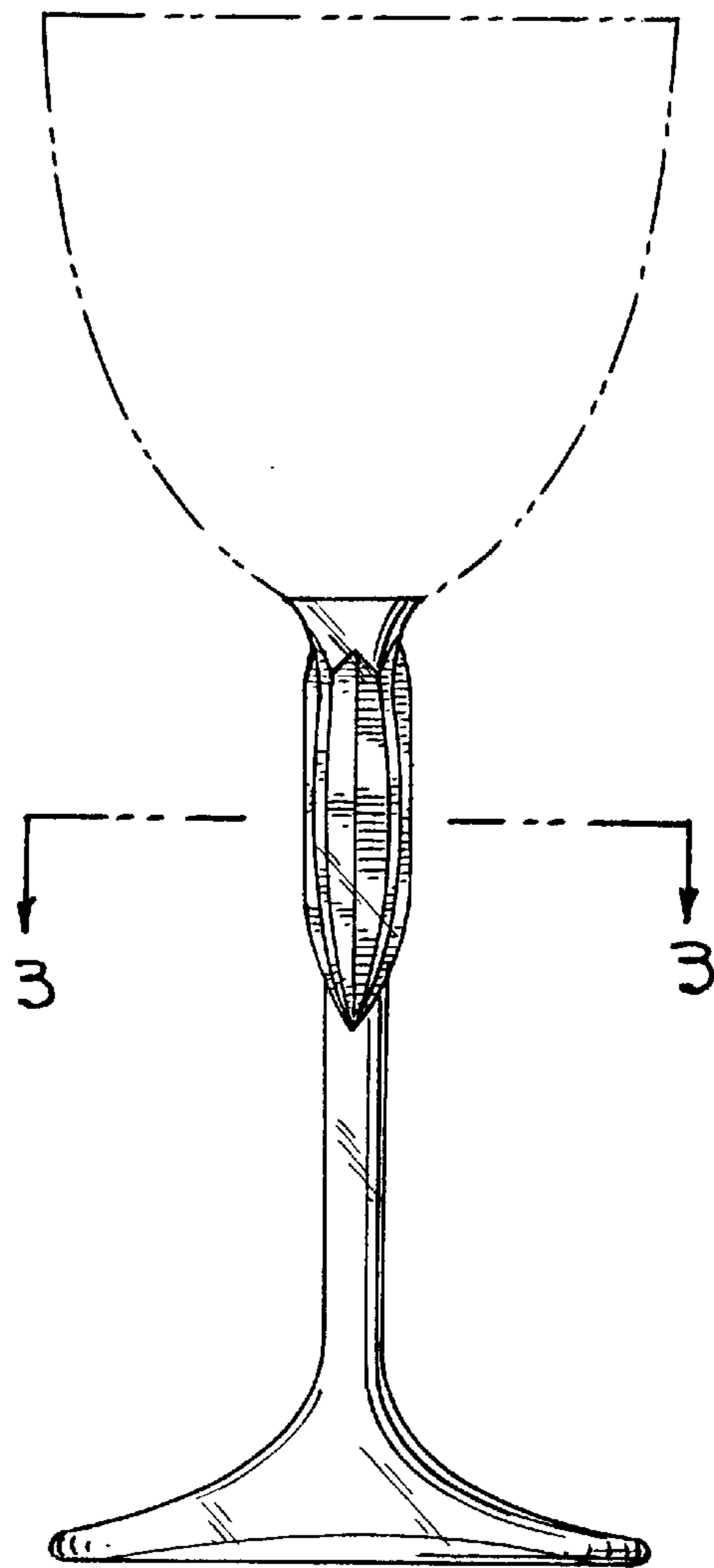


FIG. 3

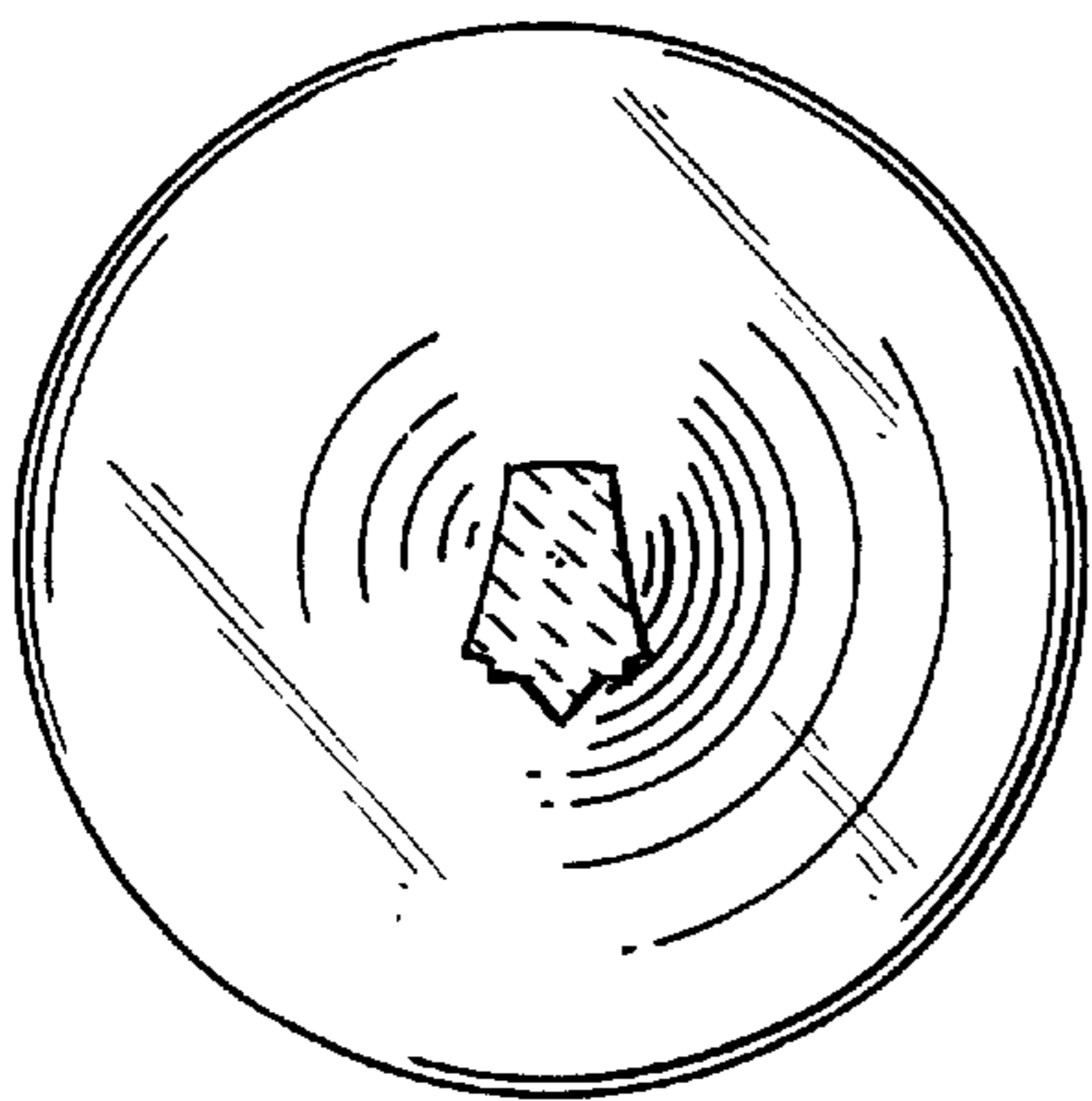


FIG. 4

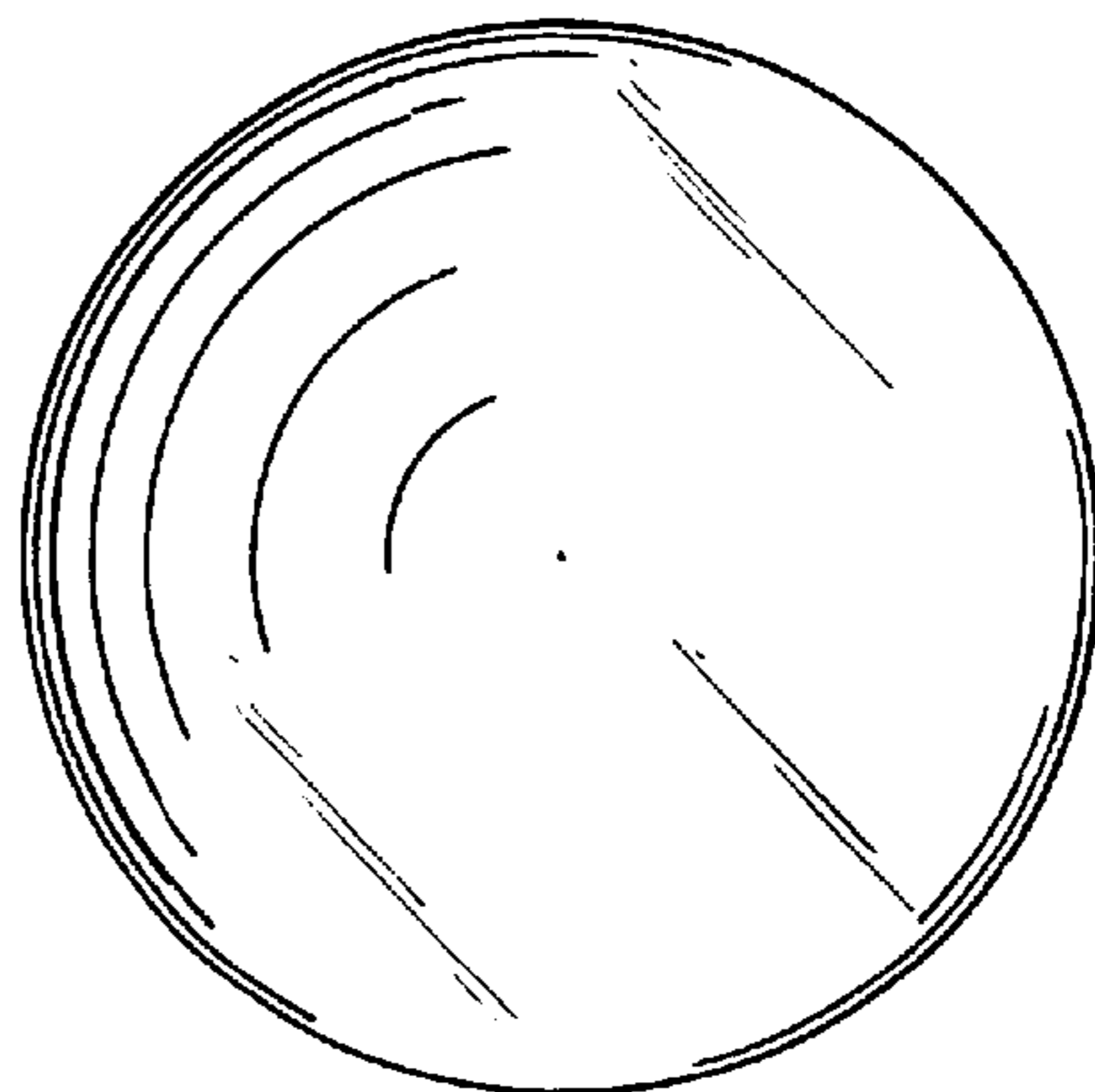


FIG. 5

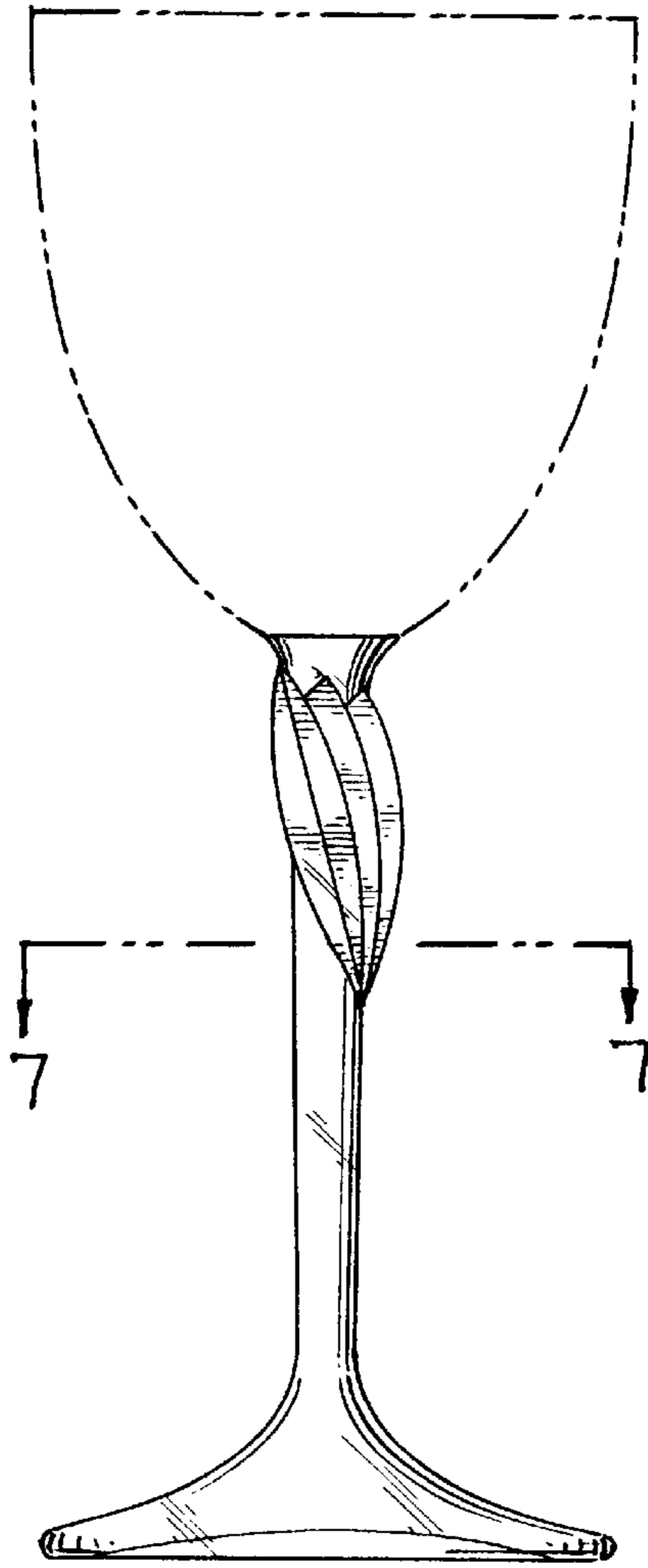


FIG. 6

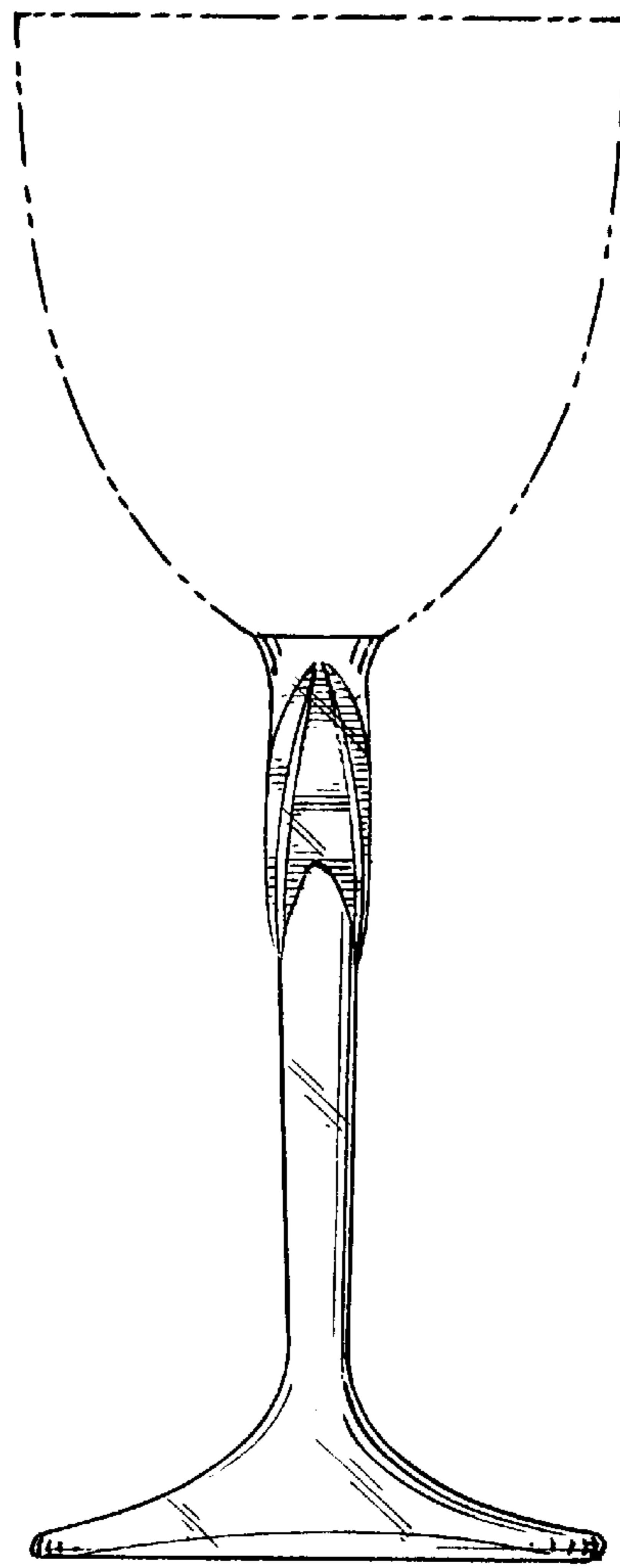


FIG. 7

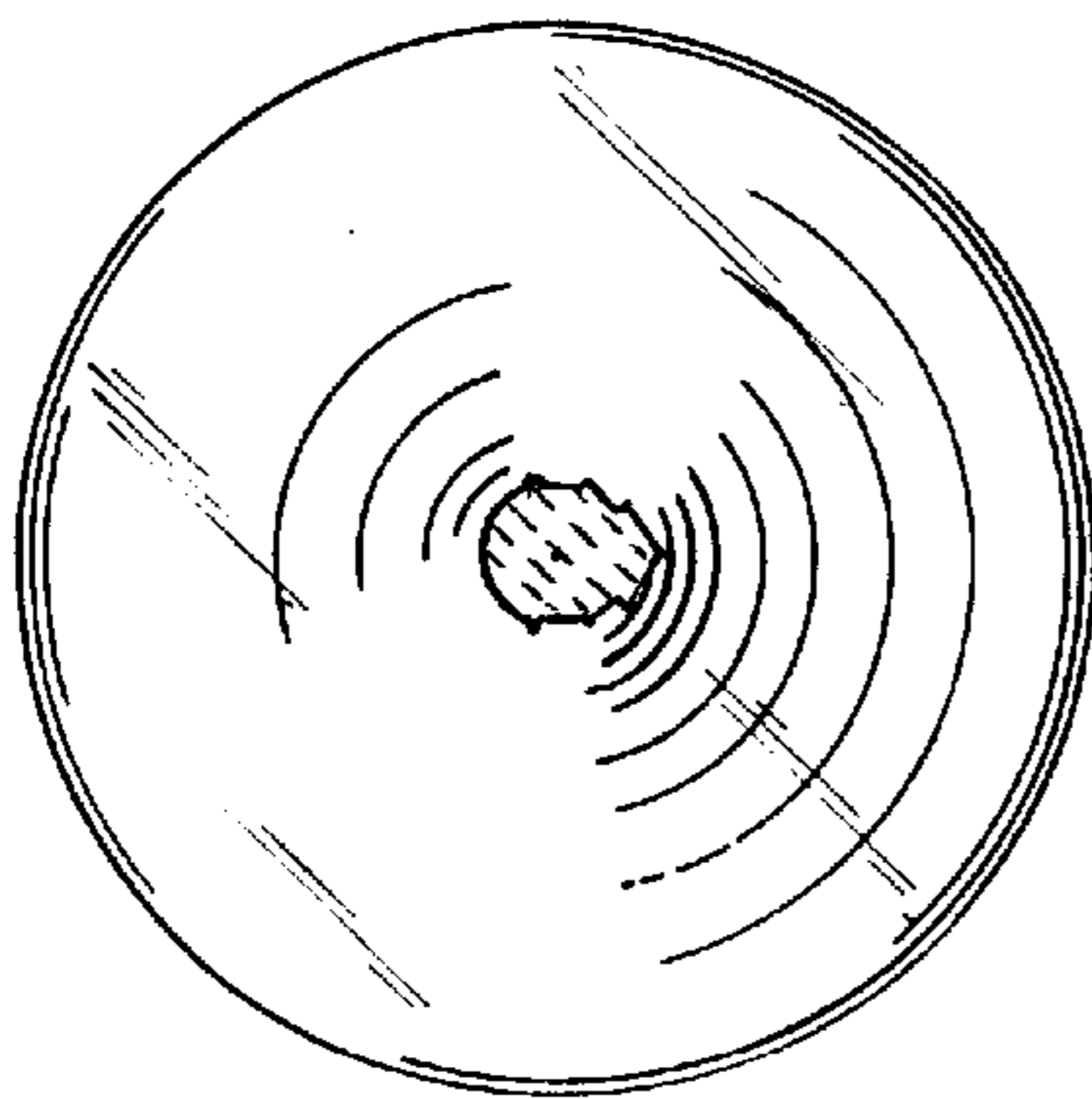


FIG. 8

