



US00D442823S

(12) **United States Design Patent**
Wright

(10) **Patent No.:** **US D442,823 S**

(45) **Date of Patent:** **** May 29, 2001**

(54) **HANDLE FOR PASTRY BLENDER**

(74) *Attorney, Agent, or Firm*—John R. Benefiel

(75) **Inventor:** Sabrena Wright, Bellevue, WA (US)

(57) **CLAIM**

(73) **Assignee:** Progressive International Corp., Kent, WA (US)

The ornamental design for a handle for pastry blender, as shown and described.

(**) **Term:** 14 Years

DESCRIPTION

(21) **Appl. No.:** 29/121,459

FIG. 1 is a perspective view of a pastry blender handle according to the present invention;

(22) **Filed:** Apr. 6, 2000

FIG. 2 is a front elevational view of the pastry blender handle shown in FIG. 1;

(51) **LOC (7) Cl.** 07-02

FIG. 3 is a rear view of the pastry blender handle shown in FIGS. 1 and 2;

(52) **U.S. Cl.** D7/393

FIG. 4 is a top view of the pastry blender handle shown in FIGS. 1-3;

(58) **Field of Search** D7/401.2, 368, D7/669, 673, 678, 682, 688, 380, 387, 393-395; D8/317, 318, 107; 16/110.1, 430

FIG. 5 is a bottom view of the pastry blender handle shown in FIGS. 1-4;

(56) **References Cited**

FIG. 6 is an enlarged left side view of the pastry blender handle shown in FIGS. 1-5;

U.S. PATENT DOCUMENTS

FIG. 7 is an enlarged right side view of the pastry blender handle shown in FIGS. 1-6; and,

D. 191,321 * 9/1961 Latham D7/394

FIG. 8 is a perspective view of the pastry blender handle, the broken line showing of a pastry blender is for illustrative purposes only and forms no part of the claimed design.

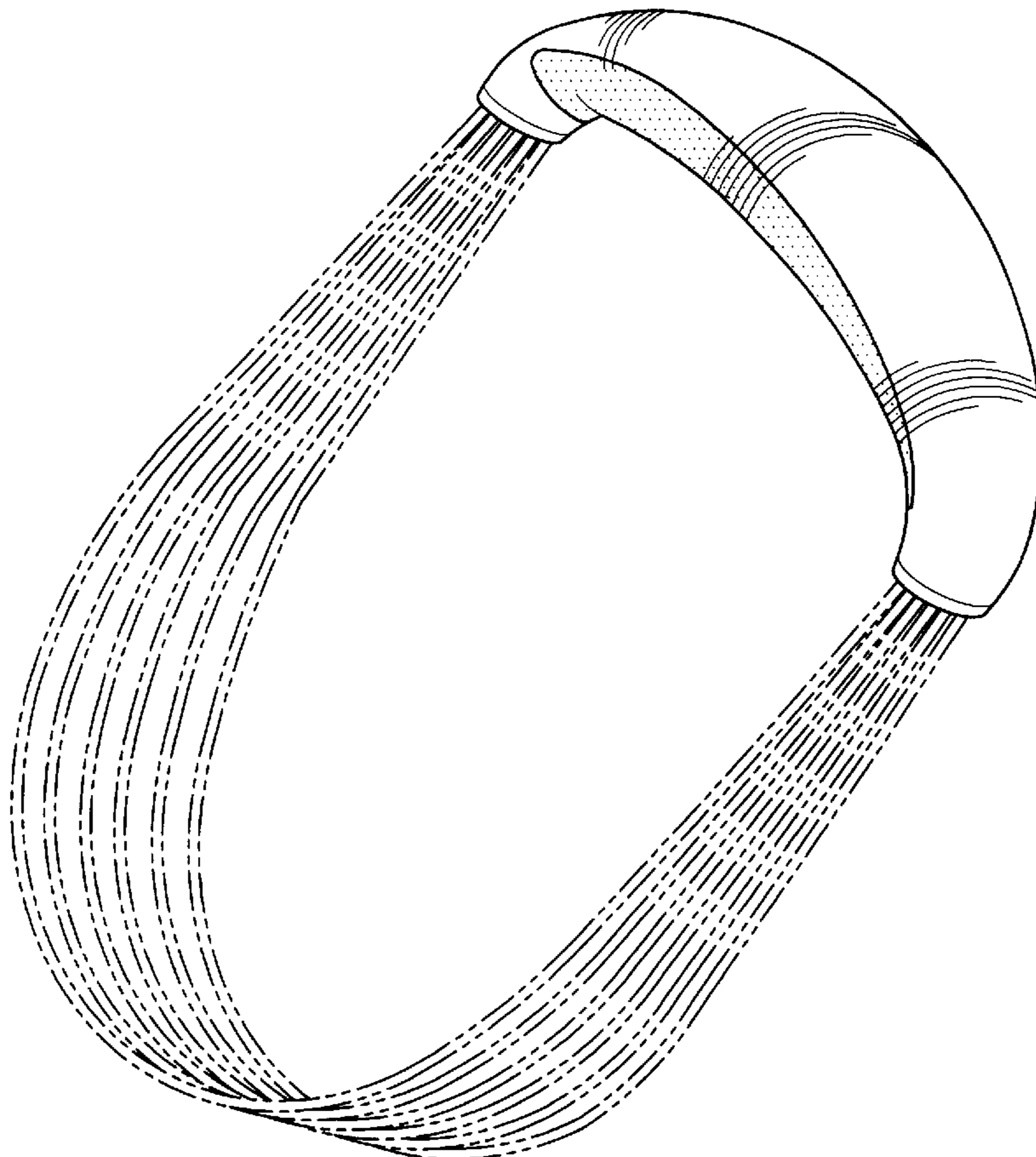
D. 195,092 * 4/1963 Munson D7/394

D. 402,530 * 12/1998 Simons et al. D8/317

* cited by examiner

Primary Examiner—Caron D. Veynar

1 Claim, 2 Drawing Sheets



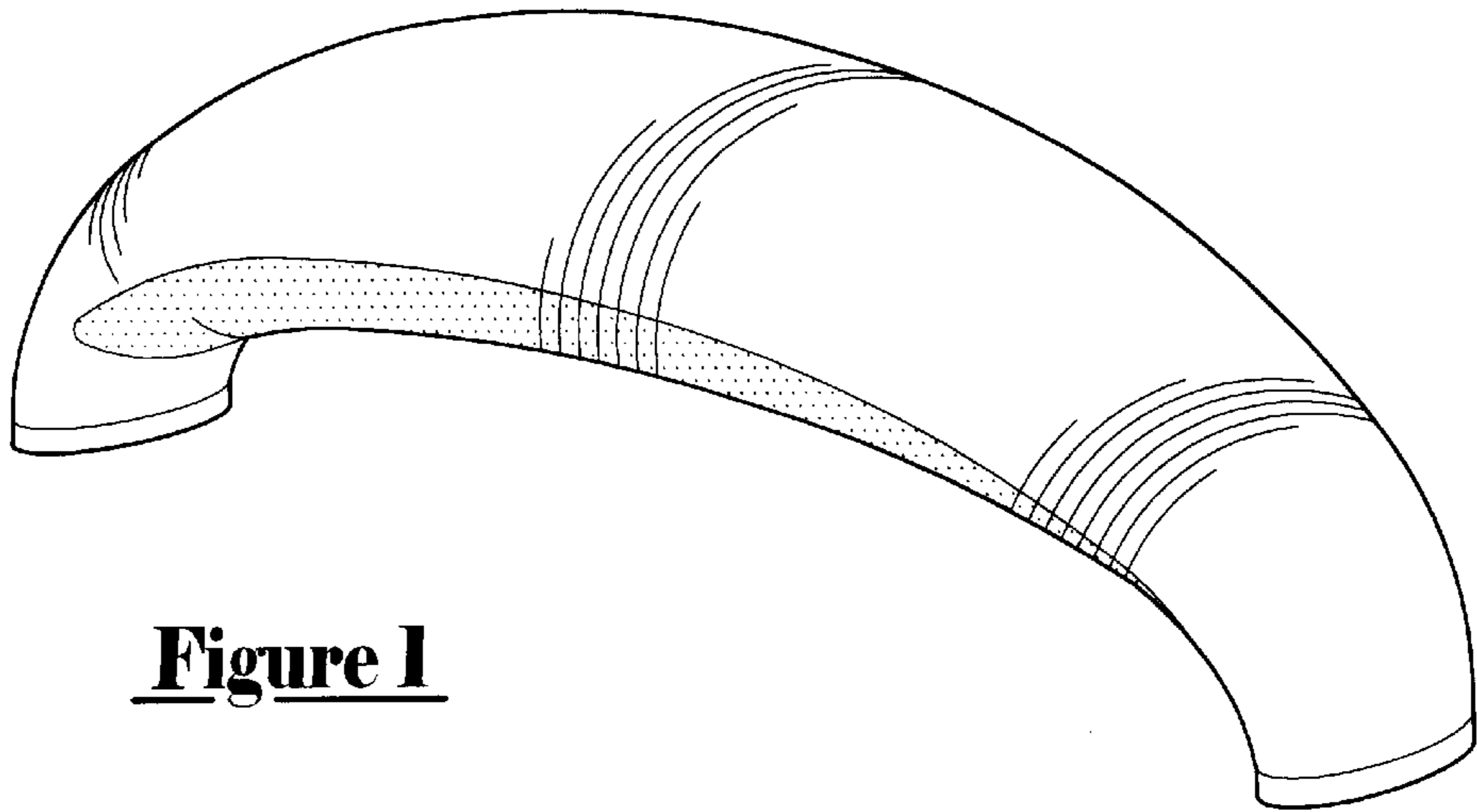


Figure 1

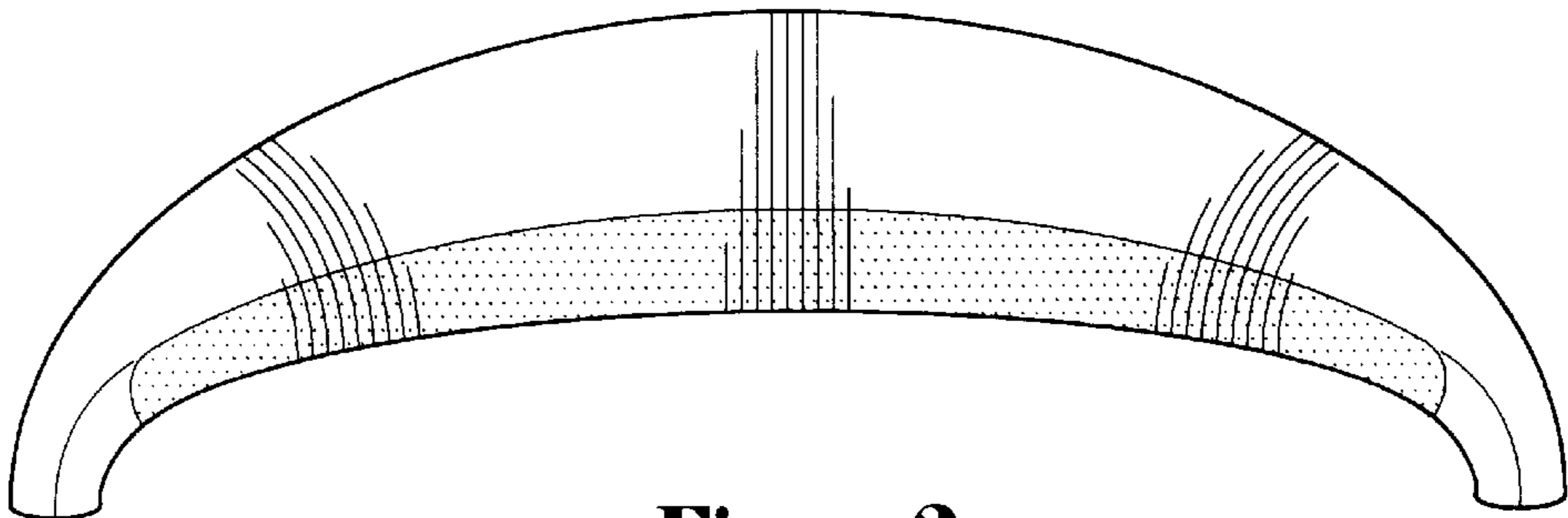


Figure 2

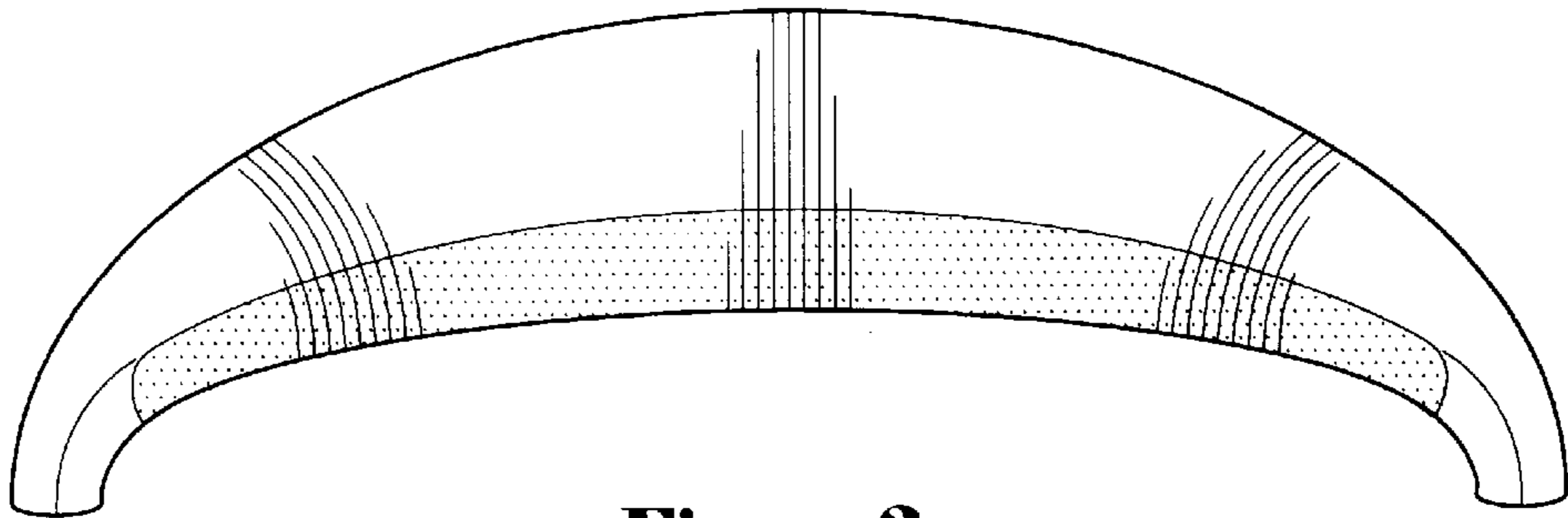


Figure 3

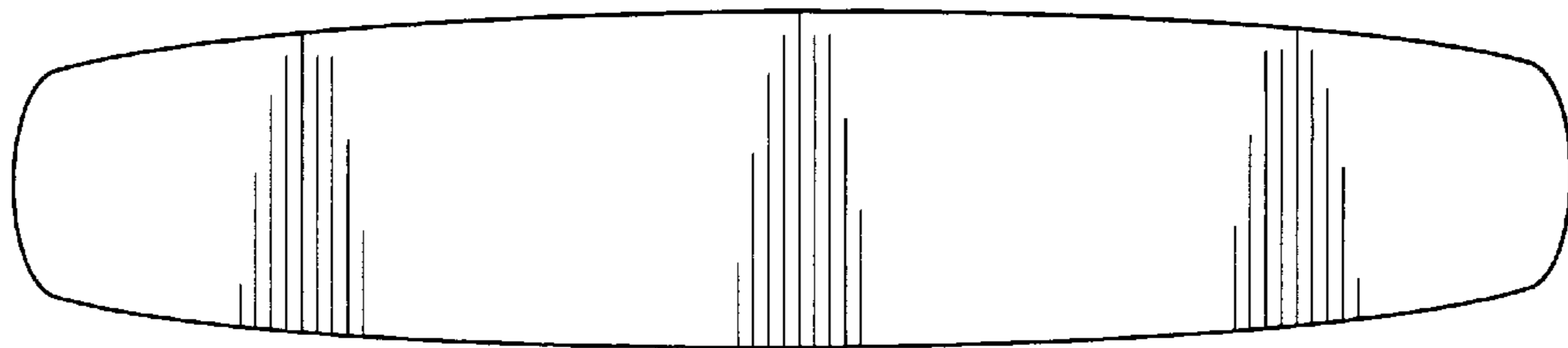


Figure 4

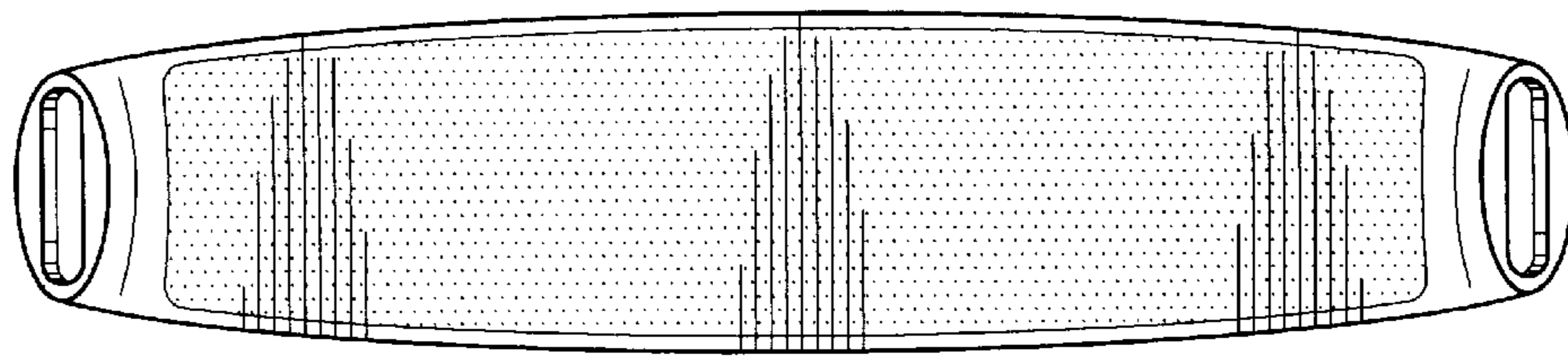


Figure 5

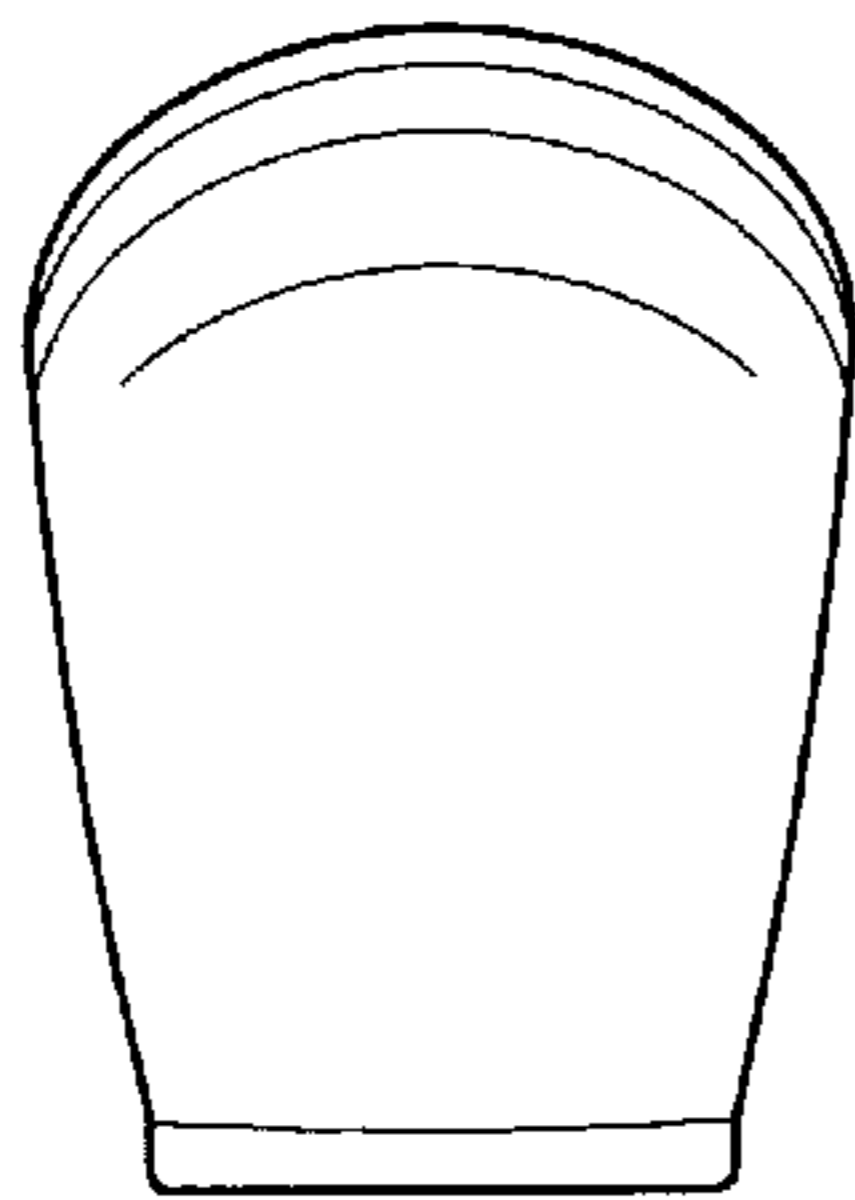


Figure 6

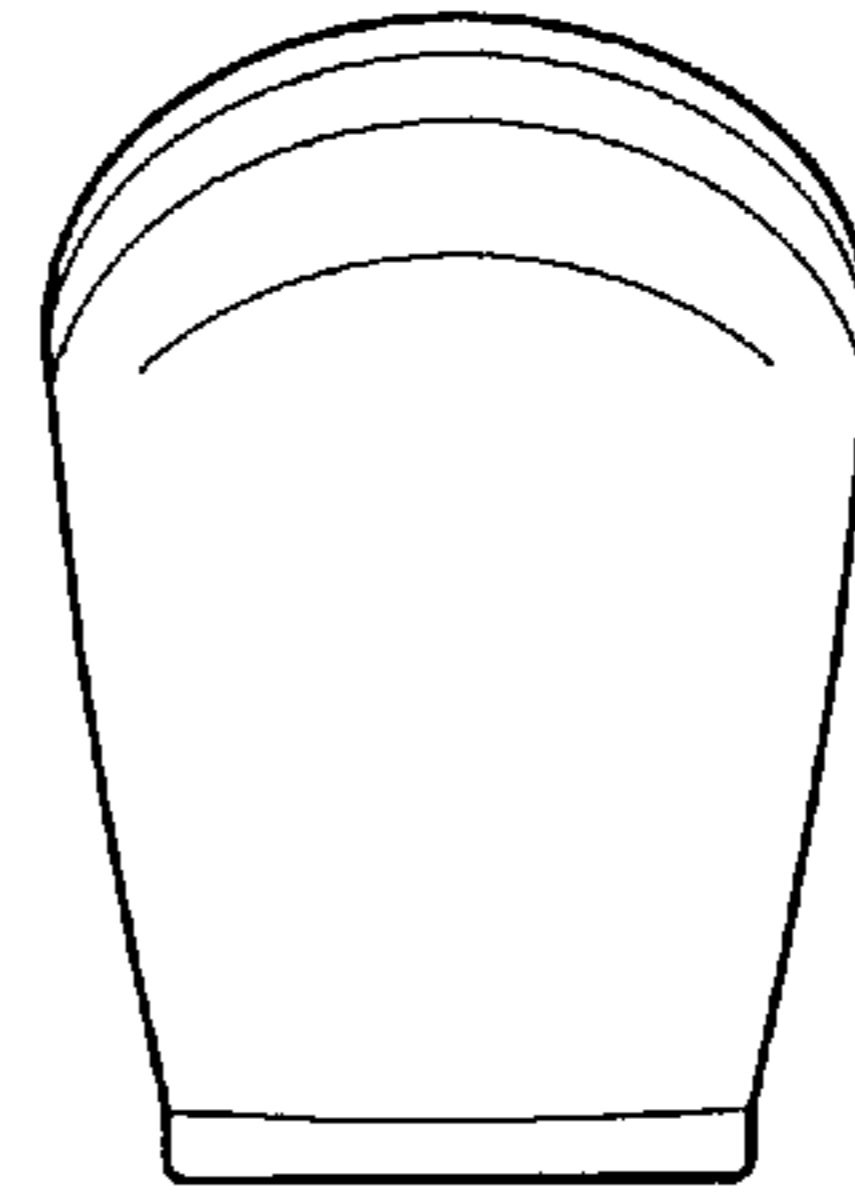


Figure 7

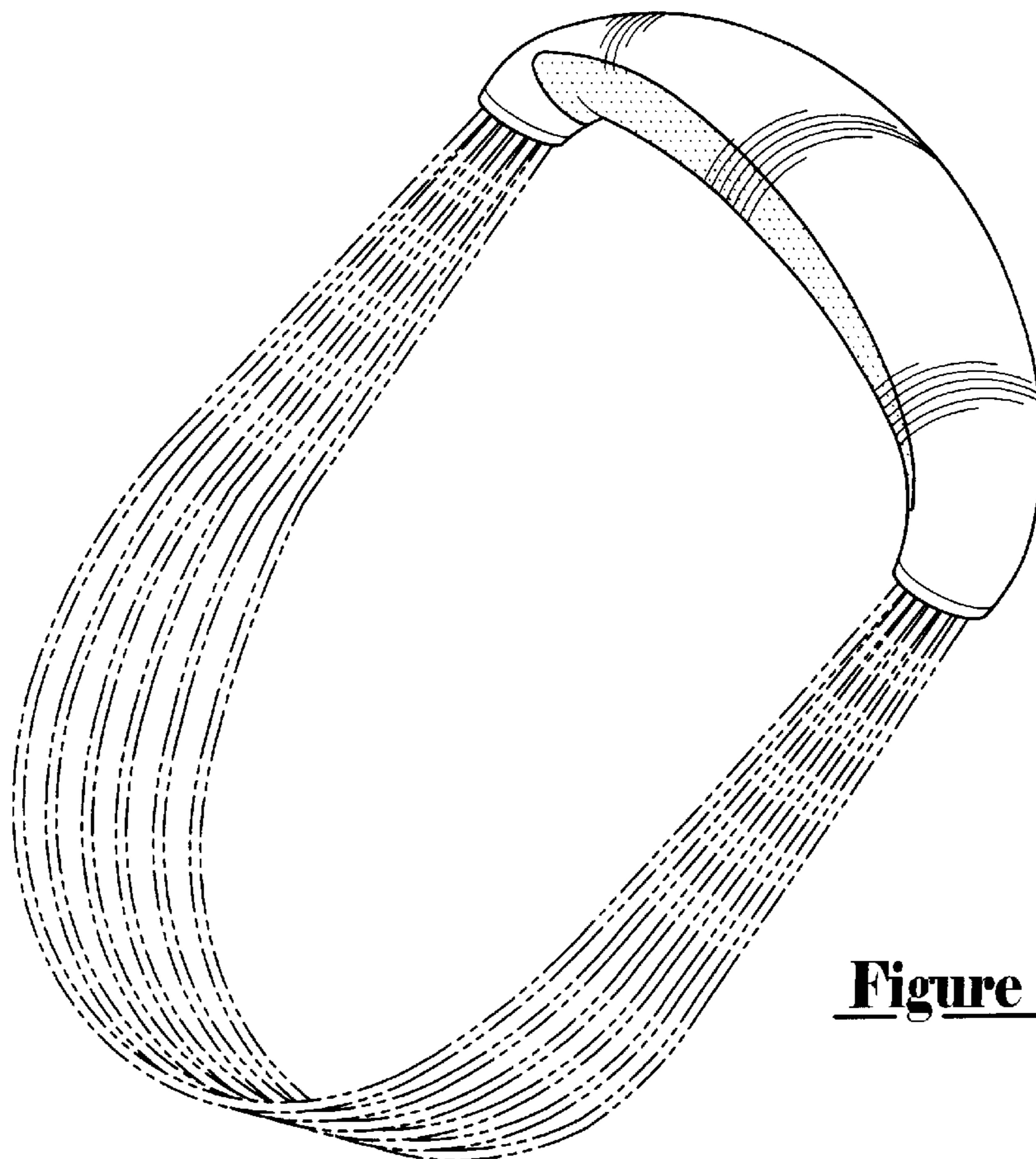


Figure 8