



US00D442822S

(12) **United States Design Patent**
Lin

(10) **Patent No.:** **US D442,822 S**

(45) **Date of Patent:** **** May 29, 2001**

(54) **BARBECUE GRILL**

(75) Inventor: **Yu-Yuan Lin**, Tainan (TW)

(73) Assignee: **Uni-Splendor Corp.**, Tainan (TW)

(**) Term: **14 Years**

(21) Appl. No.: **29/124,941**

(22) Filed: **Jun. 14, 2000**

(51) **LOC (7) Cl.** **07-02**

(52) **U.S. Cl.** **D7/362; D7/337**

(58) **Field of Search** 99/340, 392, 399,
99/400-401, 423, 425, 443 R, 427, 338,
331, 442, 445-446, 450, 341, 447-448;
219/450.1, 532-533, 429, 432, 443.1; D7/352,
357, 362-367, 332, 337, 402

(56) **References Cited**

U.S. PATENT DOCUMENTS

- D. 176,099 * 11/1955 Bonistall D7/501
- D. 260,721 * 9/1981 Terzian D7/357
- D. 369,271 * 4/1996 Doumeng D7/357

- D. 408,212 * 4/1999 Blaise D7/357
- D. 409,042 * 5/1999 Cossy D7/362
- D. 432,350 * 10/2000 Blaise D7/362
- 5,431,091 * 7/1995 Couture 99/401
- 6,082,249 * 7/2000 Su 99/340

* cited by examiner

Primary Examiner—Ruth McInroy

(74) *Attorney, Agent, or Firm*—Bacon & Thomas, PLLC

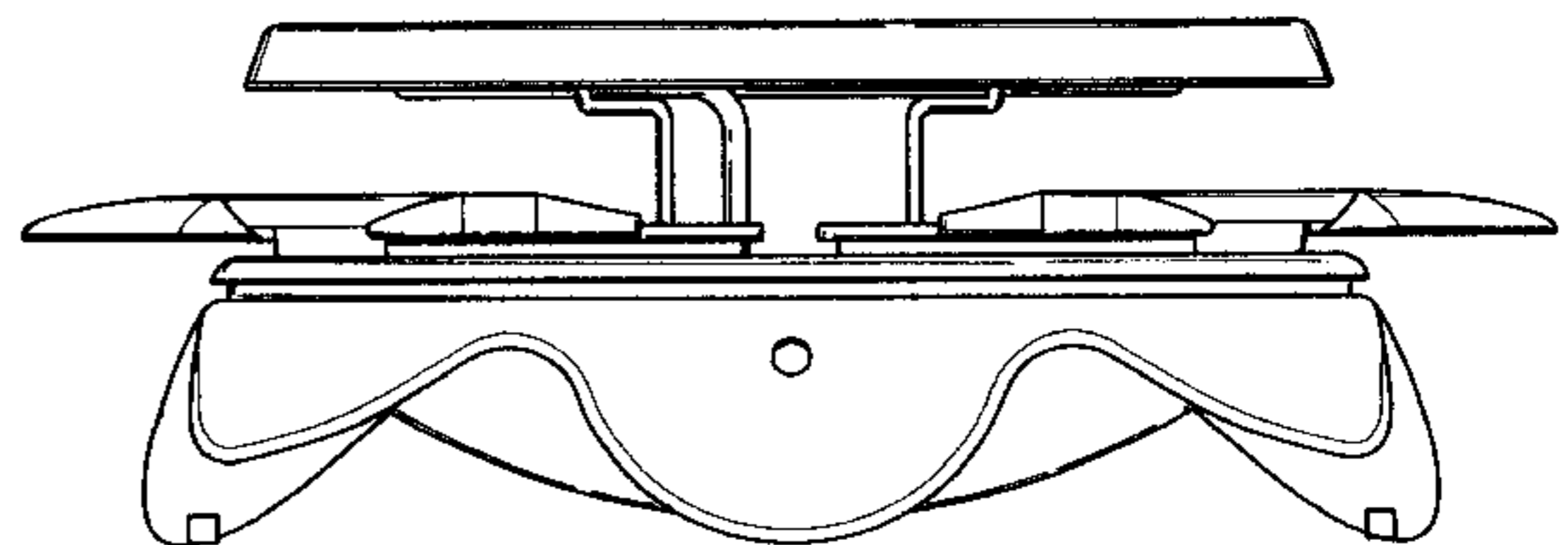
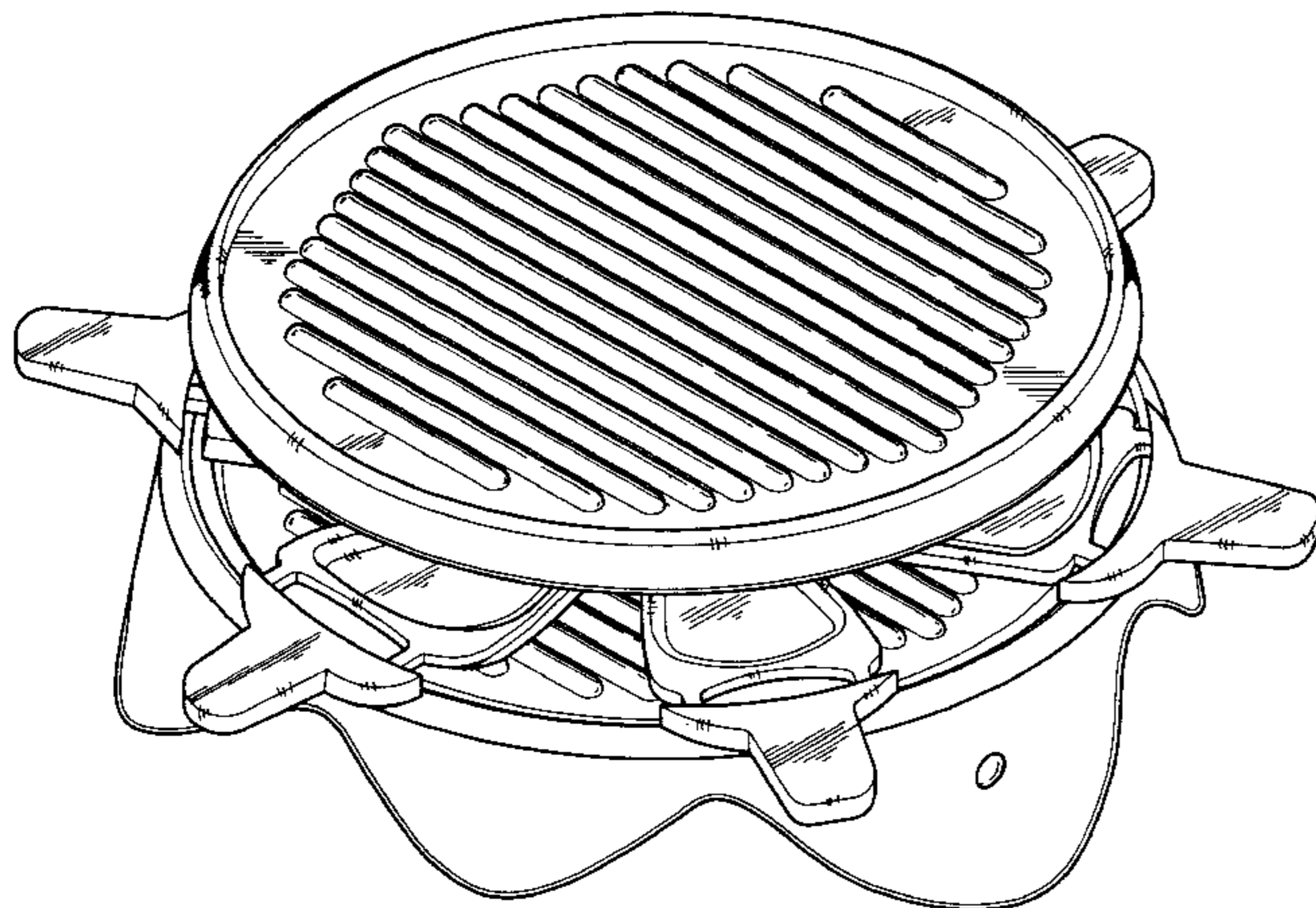
(57) **CLAIM**

The ornamental design for a barbecue grill, as shown and described.

DESCRIPTION

FIG. 1 is a perspective view of a barbecue grill showing my new design;
 FIG. 2 is a right side elevational view thereof;
 FIG. 3 is a top plan view thereof;
 FIG. 4 is a front elevational view thereof;
 FIG. 5 is a bottom plan view thereof;
 FIG. 6 is a left side elevational view thereof; and,
 FIG. 7 is a rear elevational view.

1 Claim, 4 Drawing Sheets



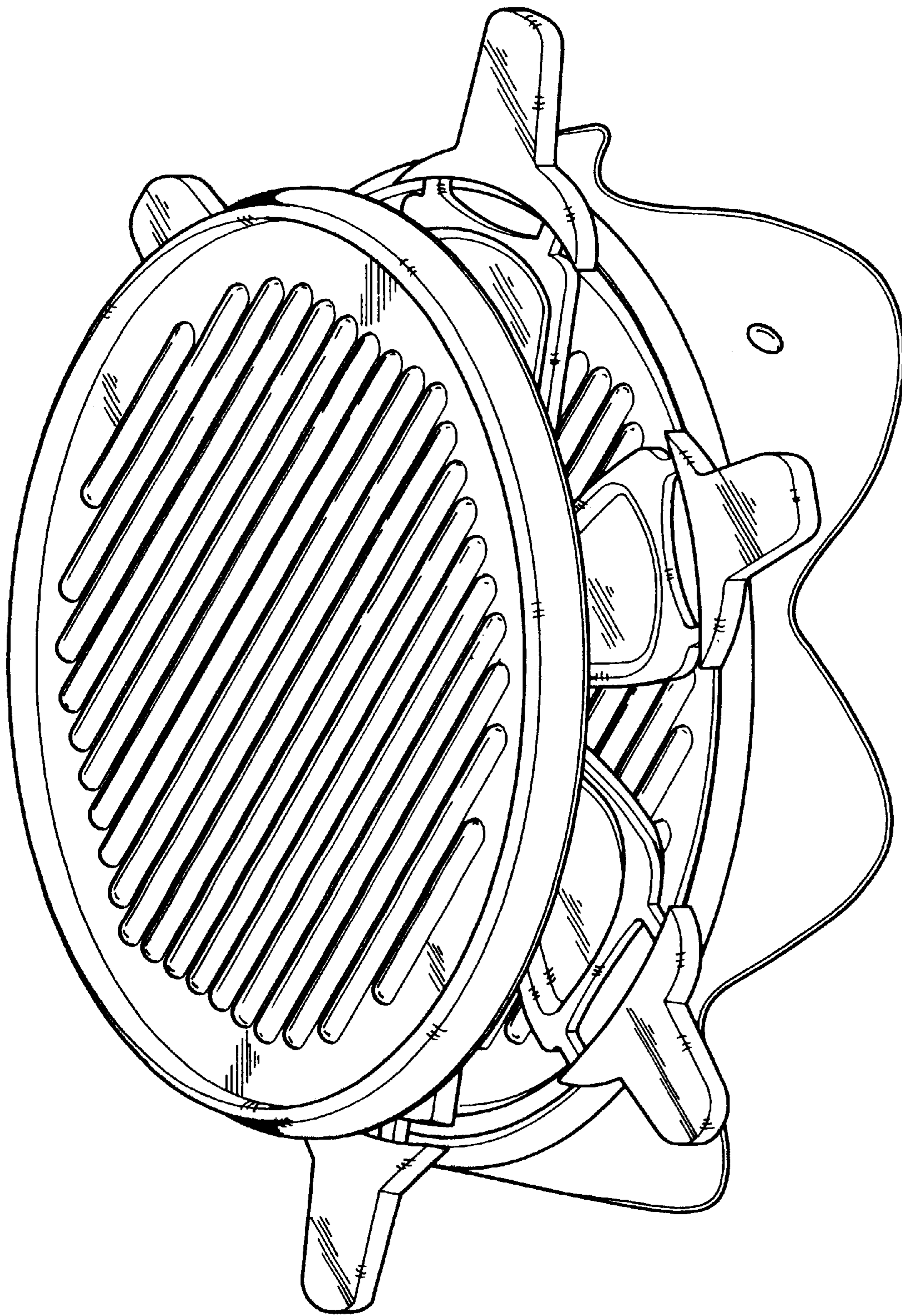


FIG. 1

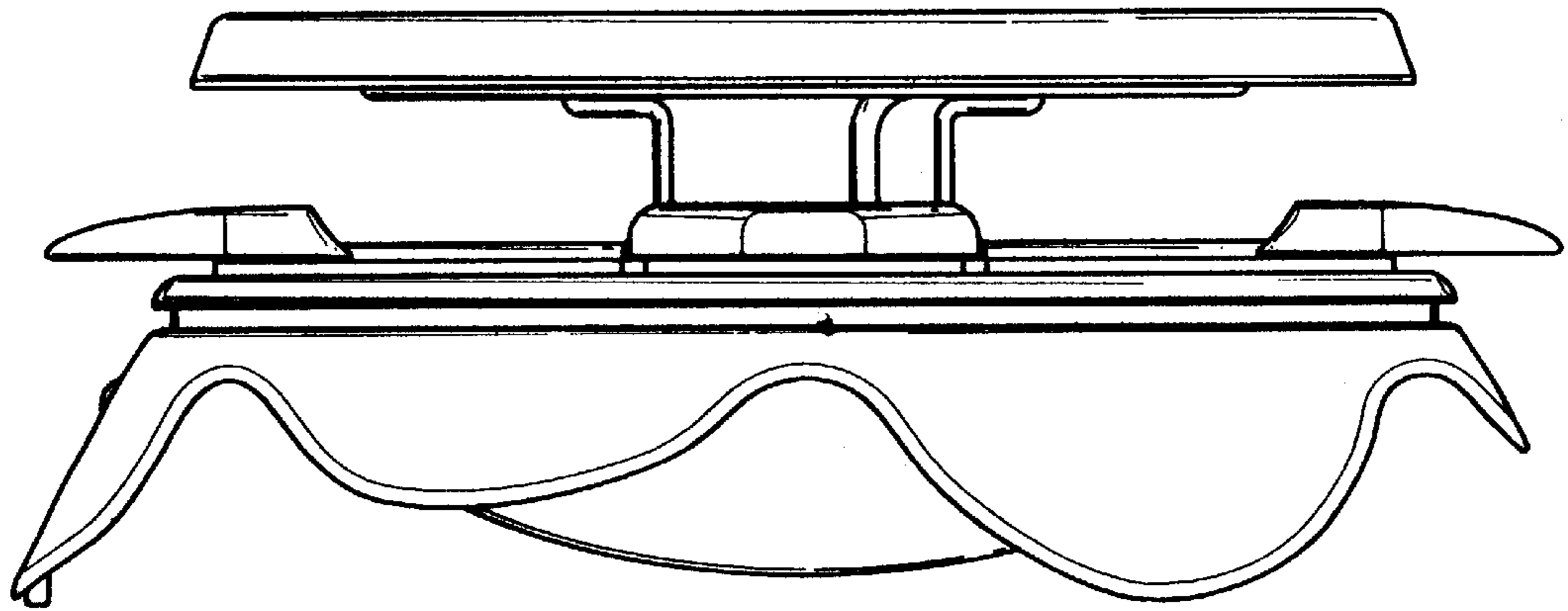


FIG. 2

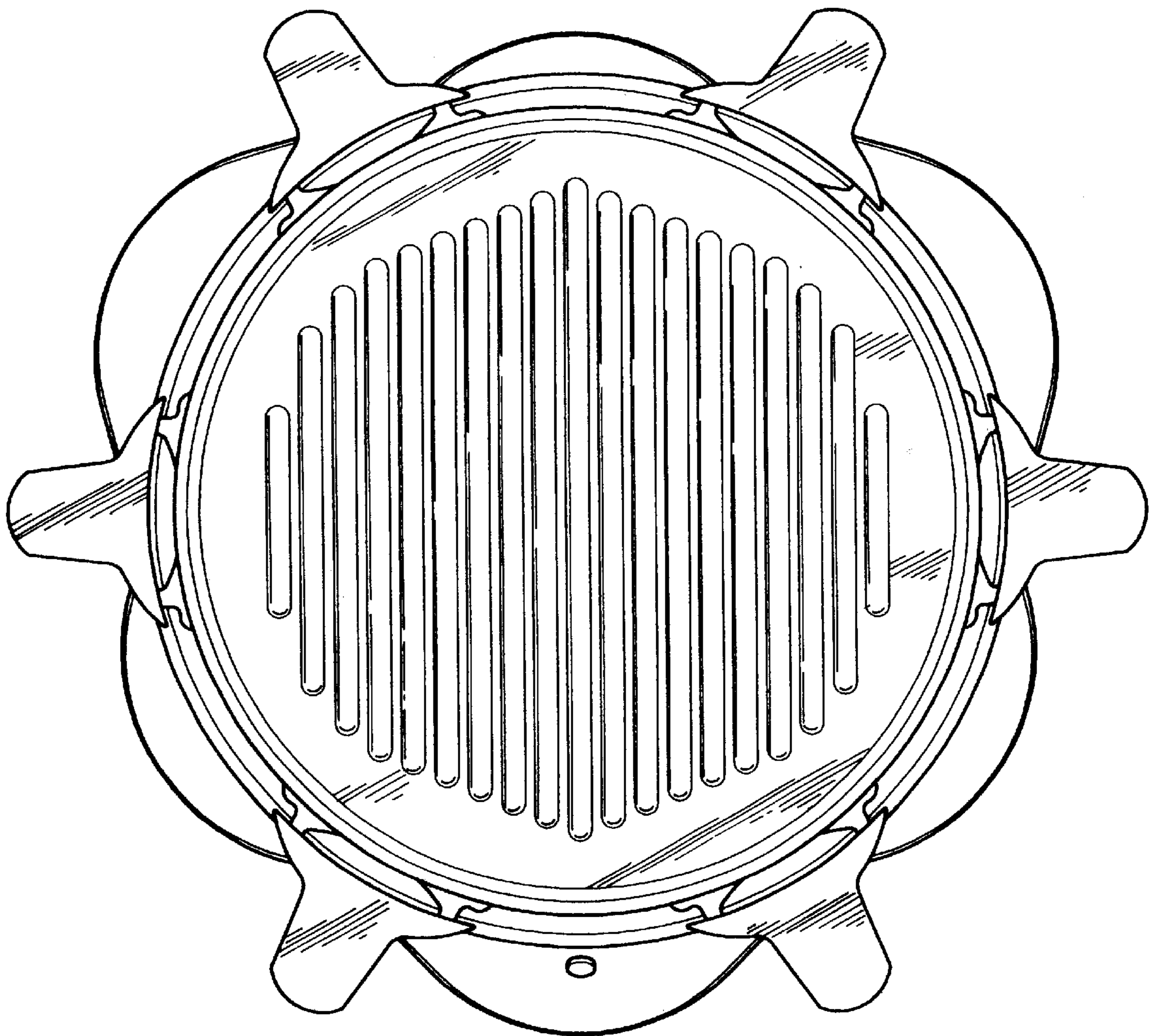


FIG. 3

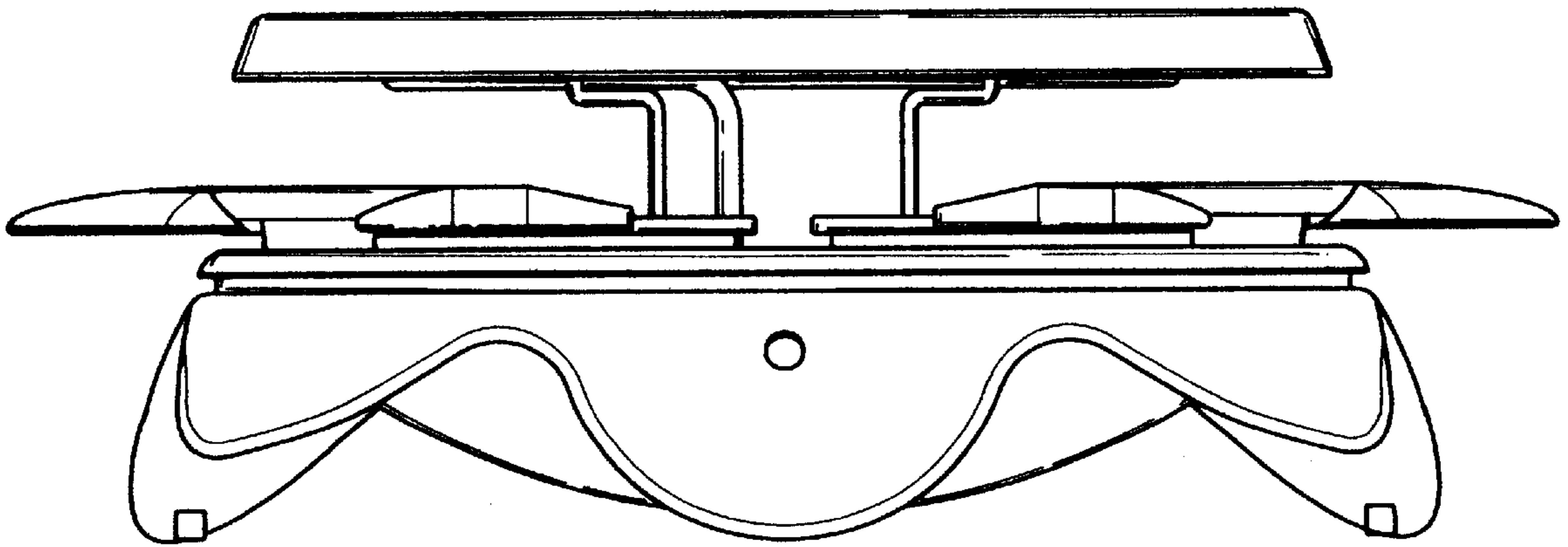


FIG. 4

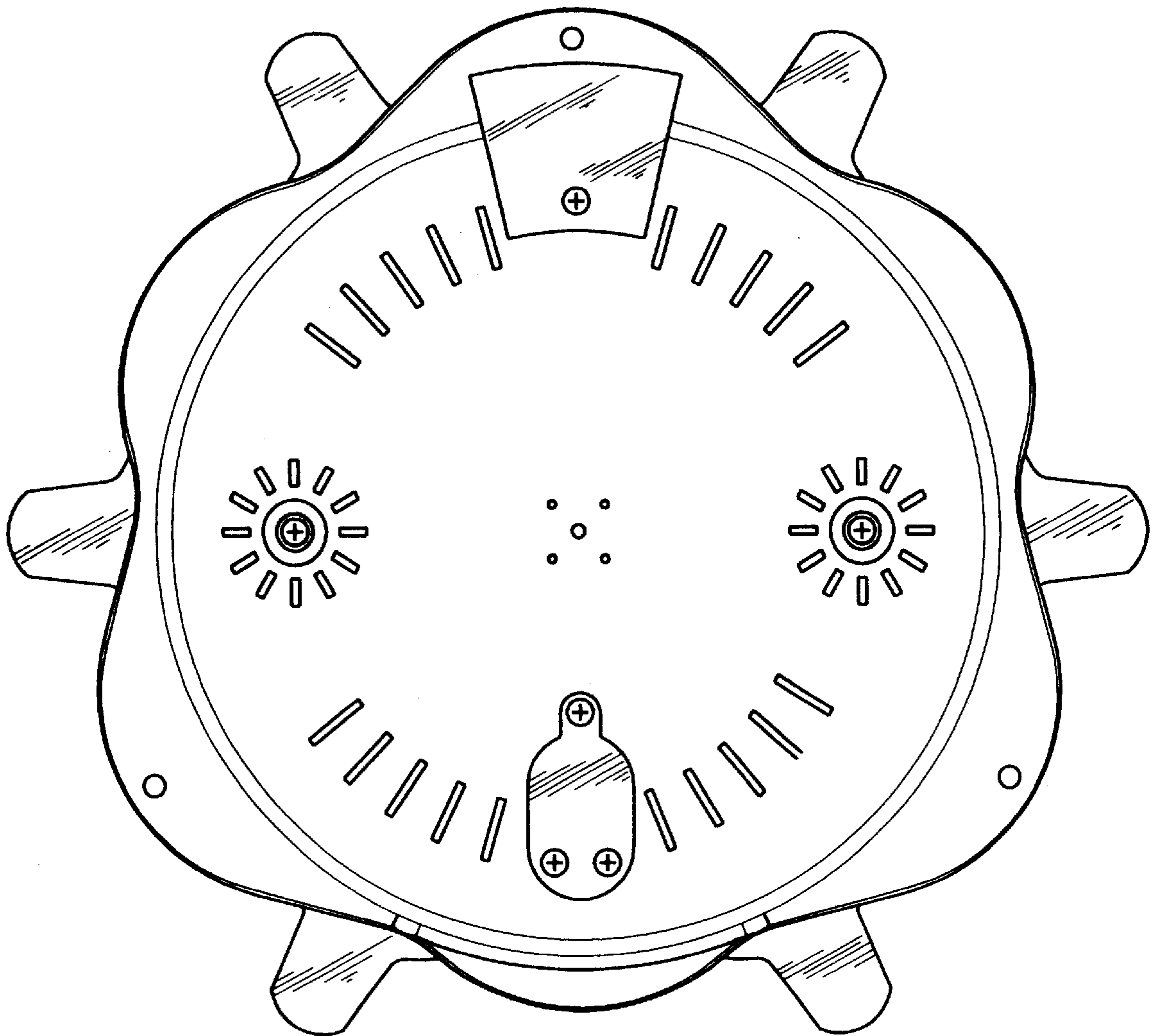


FIG. 5

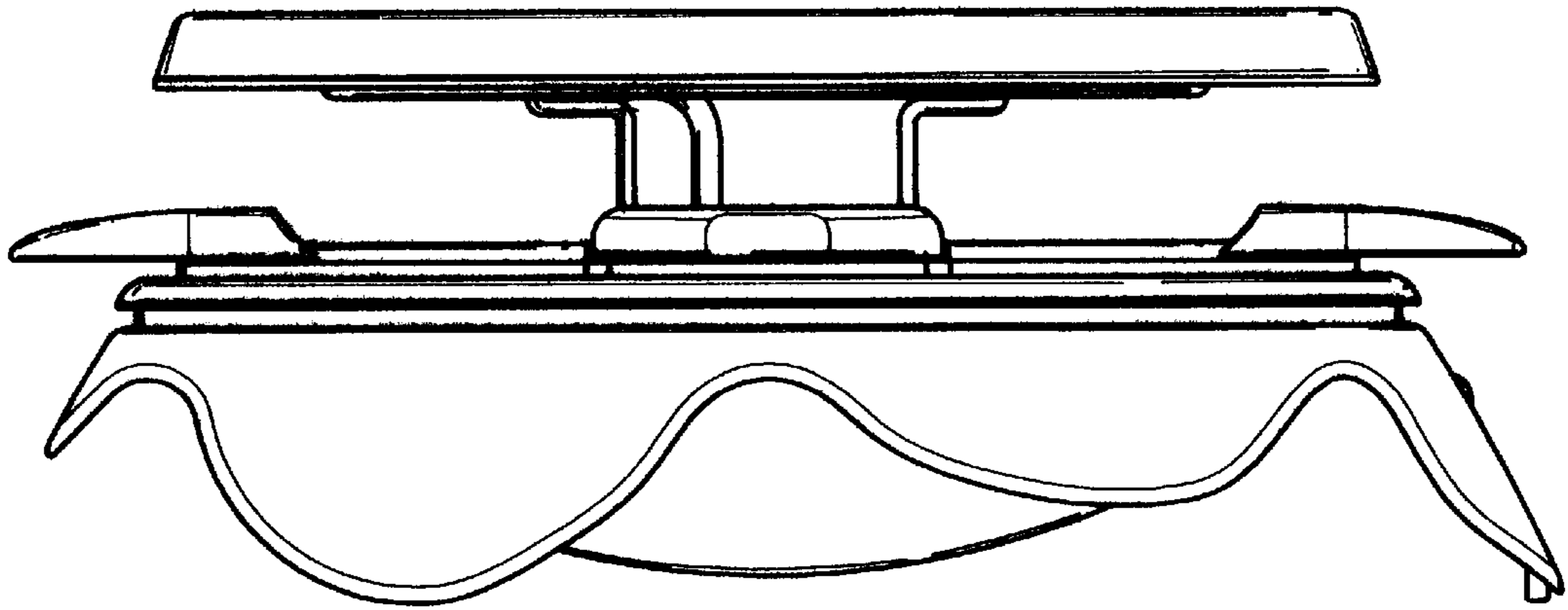


FIG. 6

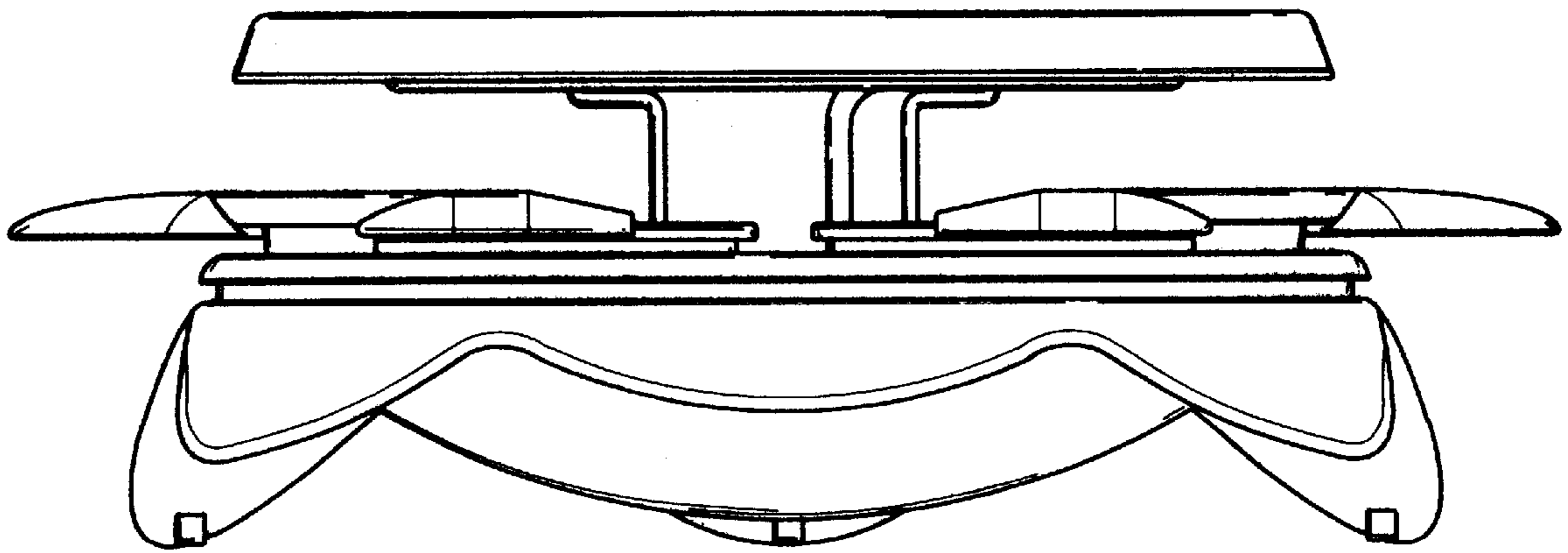


FIG. 7