



US00D442819S

(12) **United States Design Patent**
Masters

(10) **Patent No.:** **US D442,819 S**

(45) **Date of Patent:** **** May 29, 2001**

(54) **BARBECUE GRILL**

(75) **Inventor:** **Max Masters, Oatlands (AU)**

(73) **Assignee:** **GLG Australia PTY Ltd., Auburn (AU)**

(**) **Term:** **14 Years**

(21) **Appl. No.:** **29/123,671**

(22) **Filed:** **May 22, 2000**

(30) **Foreign Application Priority Data**

Nov. 22, 1999 (AU) 3795/99

(51) **LOC (7) Cl.** **07-02**

(52) **U.S. Cl.** **D7/335; D7/334**

(58) **Field of Search** D7/332-337, 402-404;
99/419, 421 R, 481-482, 467; 126/25 R,
25 A, 25 AA, 9 R, 39 R, 41 R

(56) **References Cited**

U.S. PATENT DOCUMENTS

- D. 222,870 * 1/1972 Bearinger D7/332
- D. 259,386 * 6/1981 Mulder D7/334
- D. 260,723 * 9/1981 Schifter et al. D7/334
- D. 279,536 * 7/1985 Braswell D7/335

- D. 285,161 * 8/1986 Cairns D7/334
- D. 301,107 * 5/1989 Rocco D7/332
- D. 303,061 * 8/1989 Fountain, Sr. D7/332
- D. 333,941 * 3/1993 Hait D7/335
- 4,765,232 * 8/1988 Reid 99/427
- 6,024,082 * 2/2000 Straubel et al. 126/41 R

* cited by examiner

Primary Examiner—Ruth McInroy

(74) *Attorney, Agent, or Firm*—Pennie & Edmonds LLP

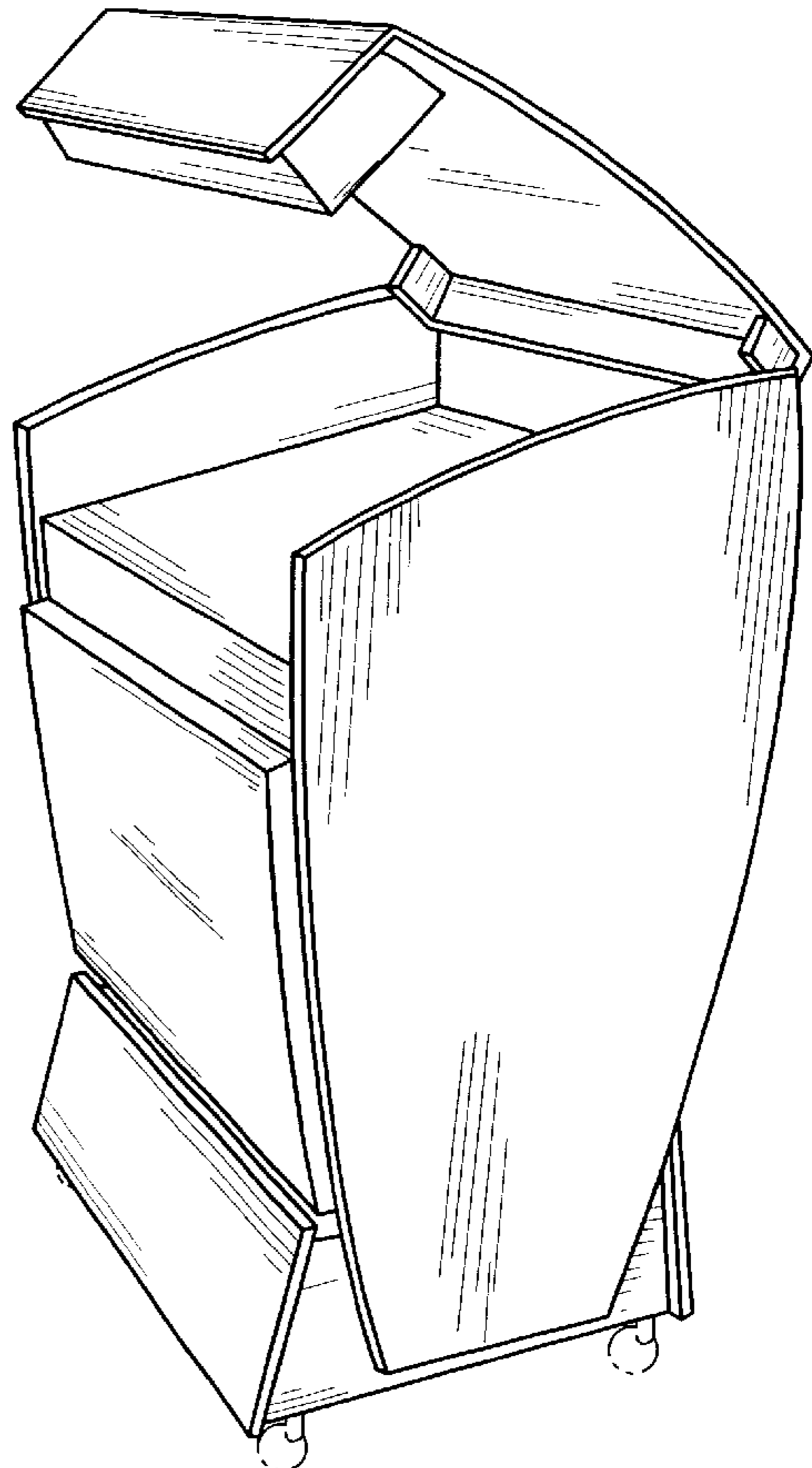
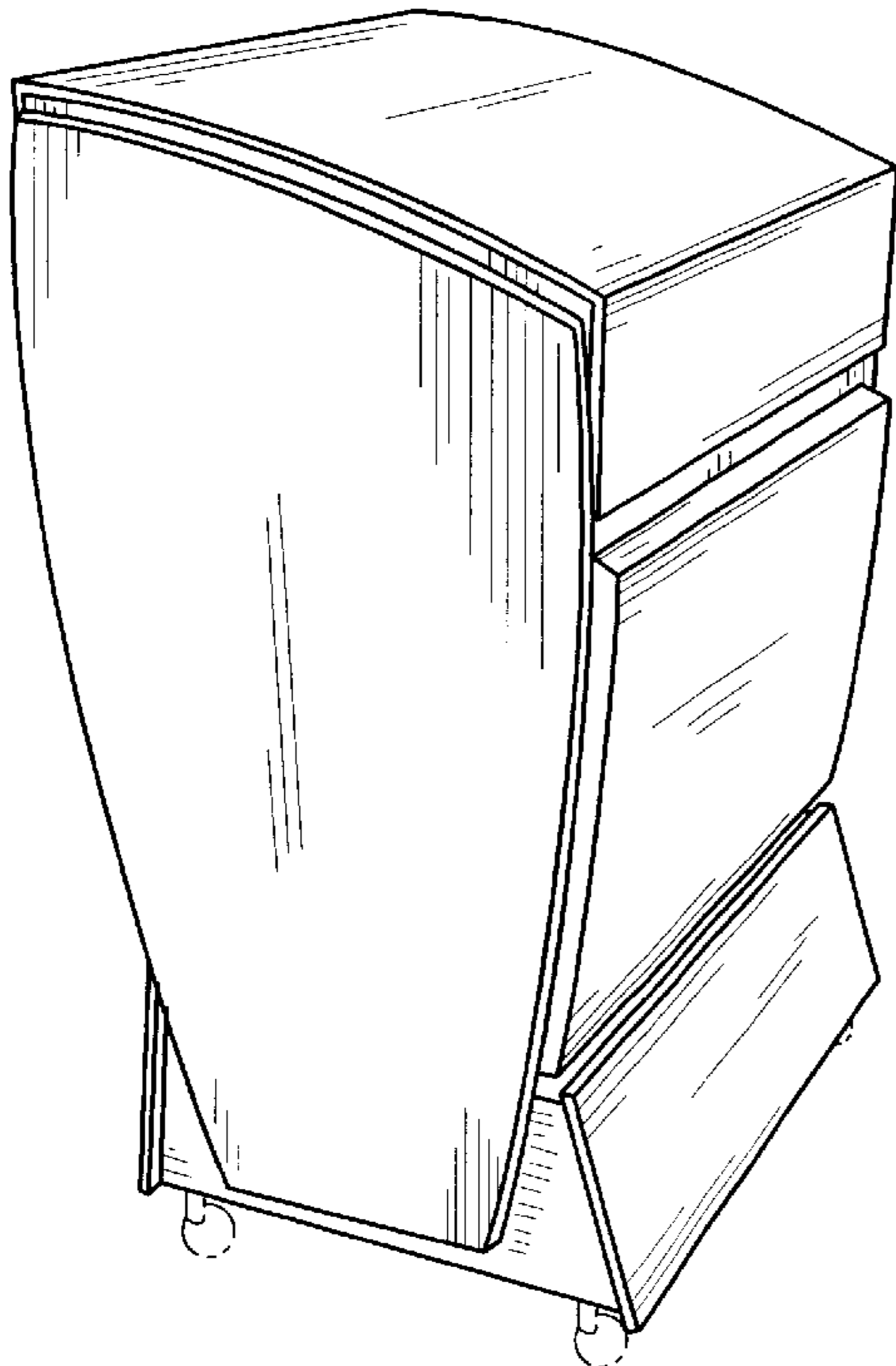
(57) **CLAIM**

The ornamental design for a barbecue grill, as shown and described.

DESCRIPTION

FIG. 1 is a perspective view of a barbecue grill showing my new design with the lid in a closed position;
 FIG. 2 is a perspective view thereof with the lid in an open position;
 FIG. 3 is a front elevational view of FIG. 1;
 FIG. 4 is a side elevation view of FIG. 1; and,
 FIG. 5 is a rear elevation view of FIG. 1.
 The wheels shown in broken lines in the drawing figures are not part of the claimed ornamental design.

1 Claim, 2 Drawing Sheets



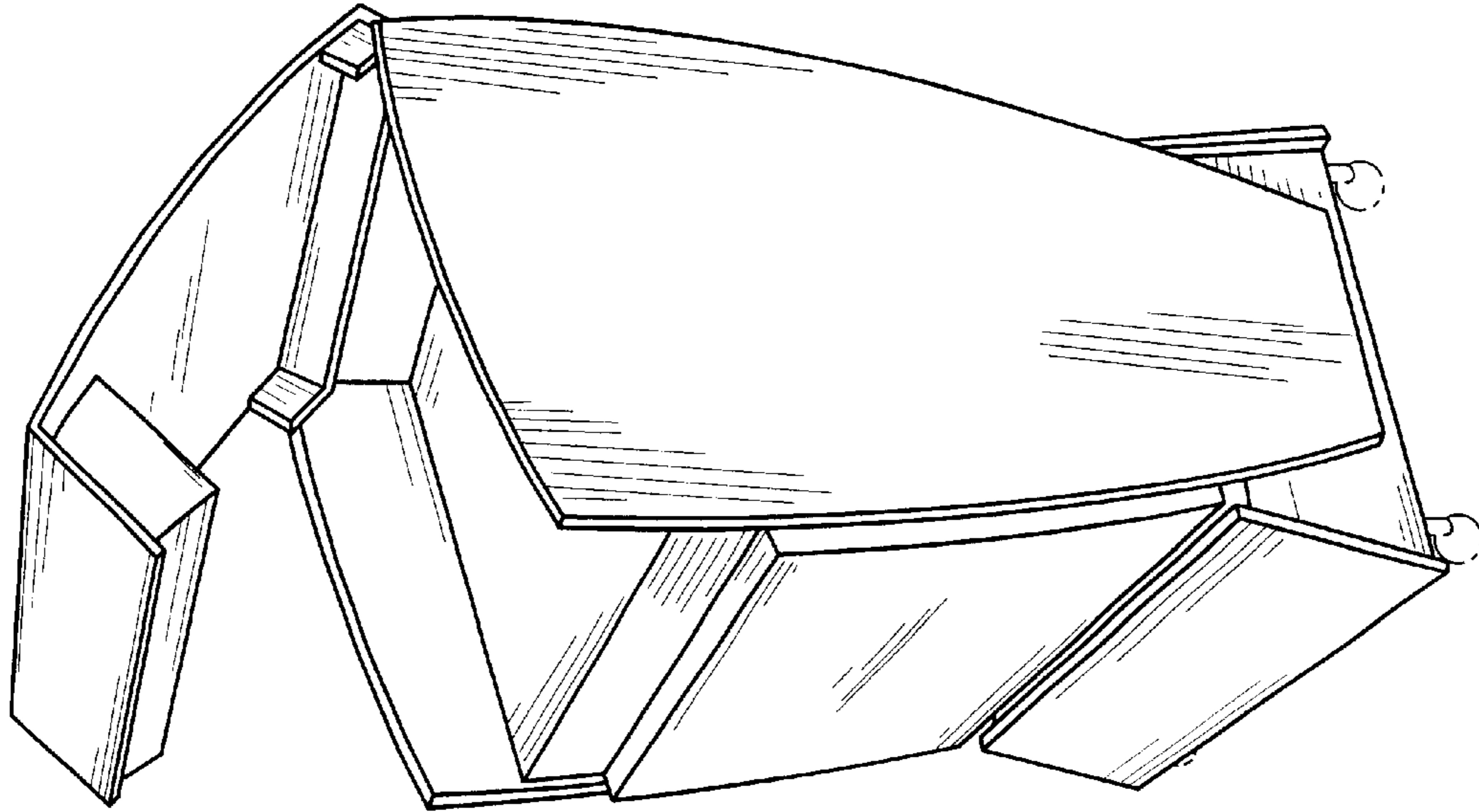


Fig. 1

Fig. 2

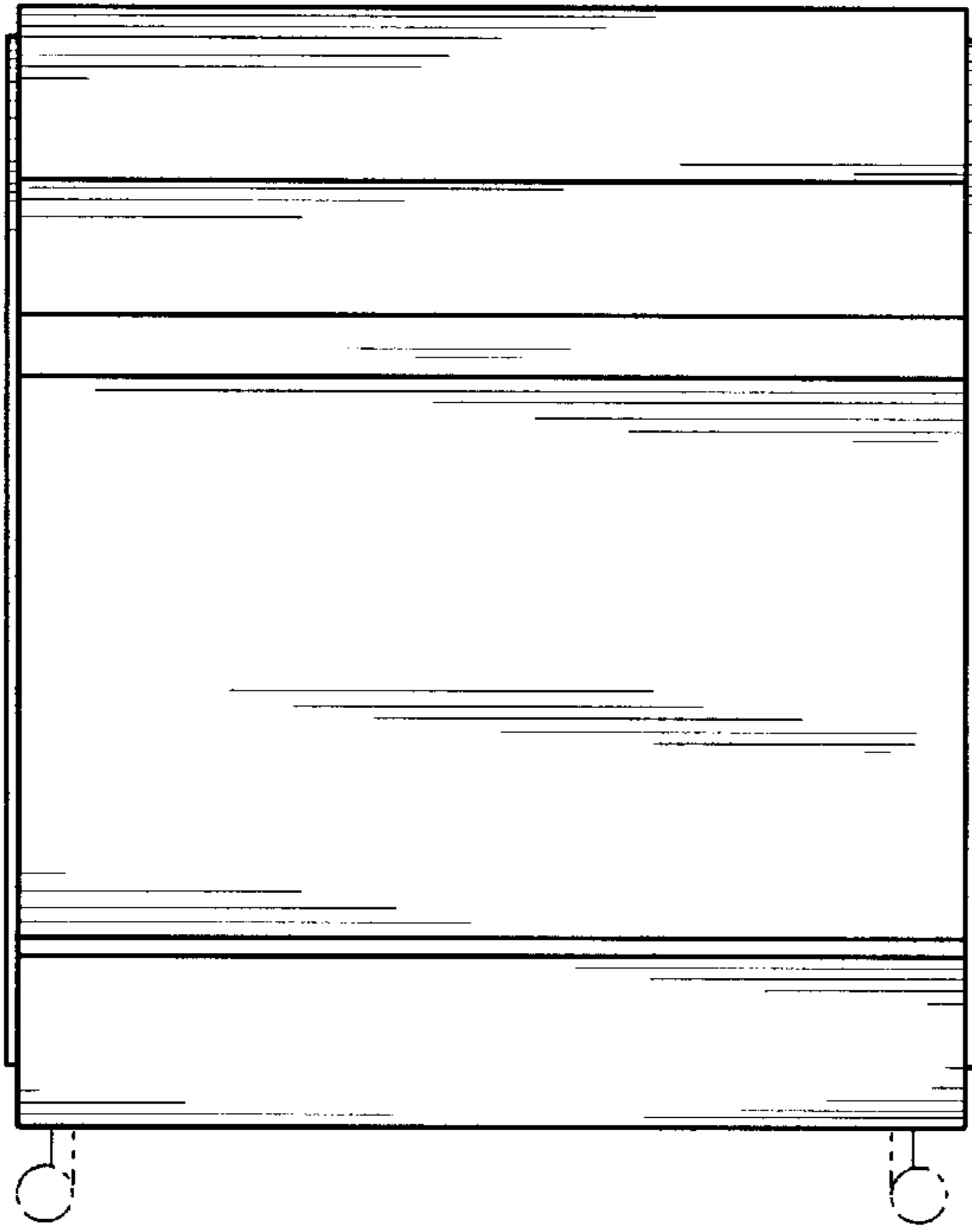


Fig. 3

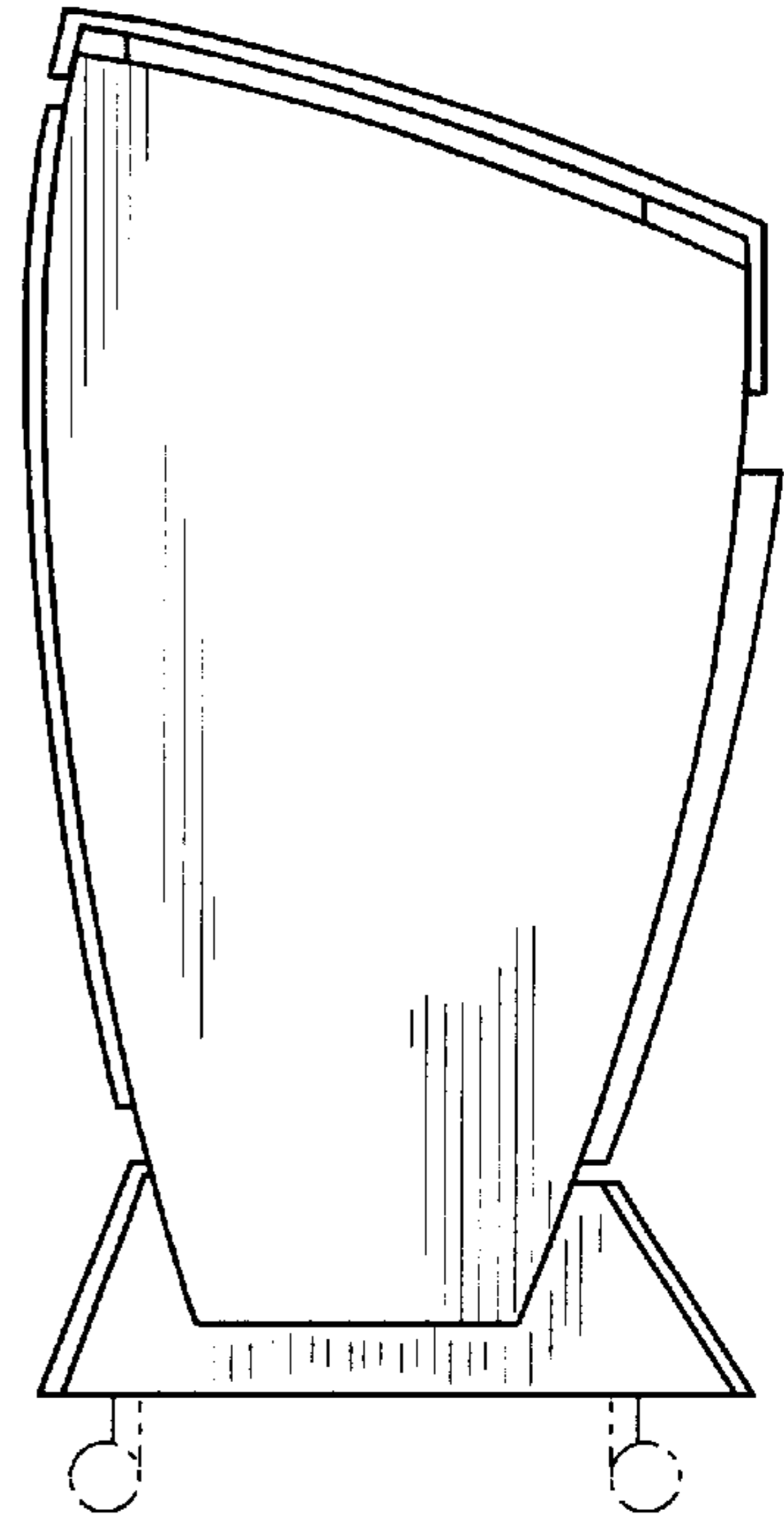


Fig. 4

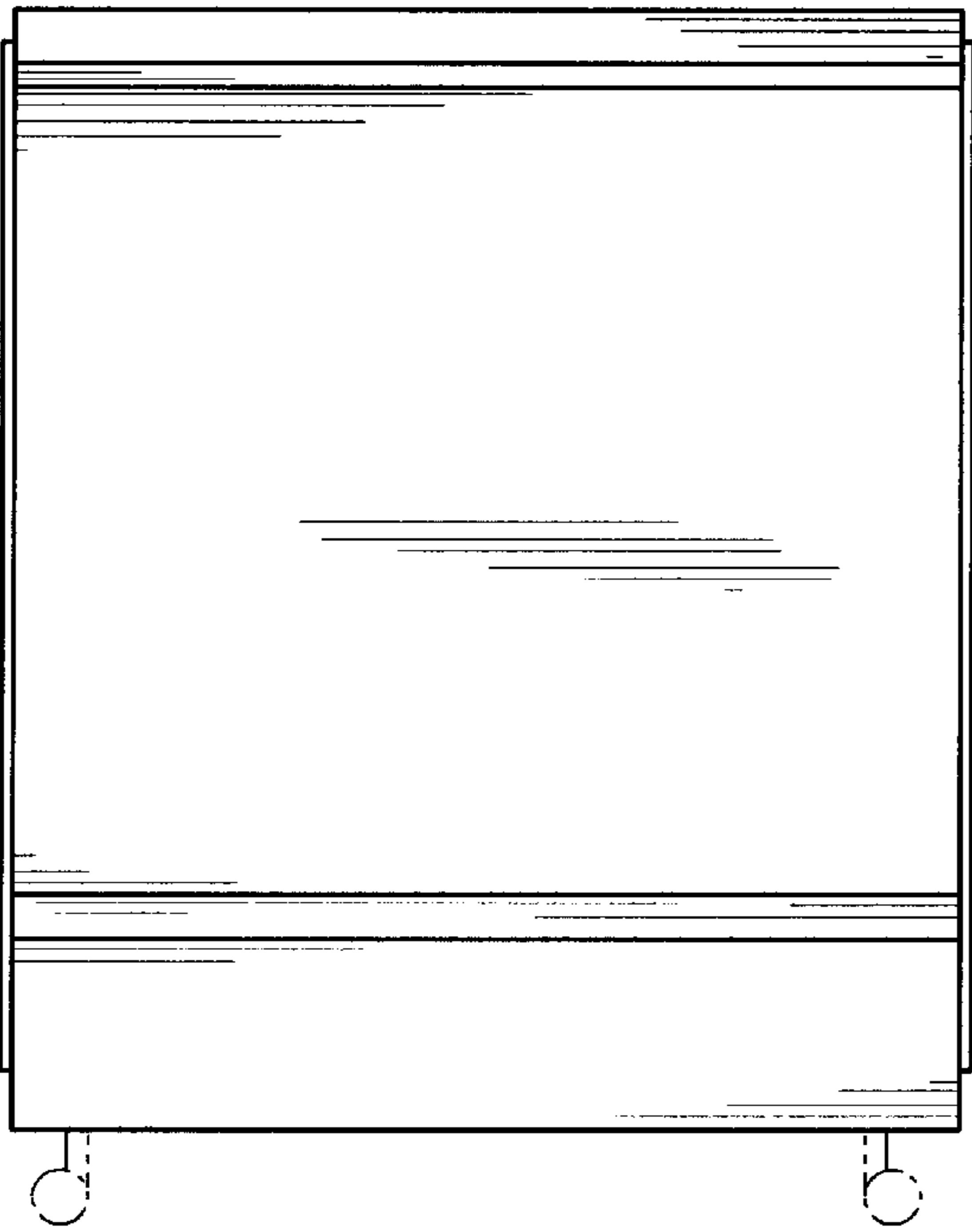


Fig. 5