



US00D442816S

(12) **United States Design Patent**
Chen

(10) **Patent No.:** **US D442,816 S**

(45) **Date of Patent:** **** May 29, 2001**

(54) **OPTICAL DISK CONTAINER**

(76) **Inventor:** **Chiu-Yuan Chen**, No.2-1, Lane 1206,
Chung-Cheng Road, Chung-Ho City,
Taipei (TW)

(**) **Term:** **14 Years**

(21) **Appl. No.:** **29/133,074**

(22) **Filed:** **Nov. 20, 2000**

(51) **LOC (7) Cl.** **06-04**

(52) **U.S. Cl.** **D6/631**

(58) **Field of Search** D6/407, 626-630,
D6/462-468, 450, 457, 473-476, 556-567,
570-572, 553; 312/9.1-9.64; D19/75, 76,
85; D32/55, 58; 211/40, 41.1, 41.2, 41.3,
41.4, 42, 41.12, 44, 41.18, 48, 181.1; 206/307.1,
307, 308.1, 445, 387.15, 454, 387.1, 425

(56) **References Cited**

U.S. PATENT DOCUMENTS

- D. 227,190 * 6/1973 McKinsey D6/631
- D. 234,325 * 2/1975 Snyder D6/629
- D. 280,423 * 9/1985 Burton et al. D19/76
- D. 289,107 * 4/1987 McAlhany D6/629
- D. 298,264 * 10/1988 Wang D19/85
- D. 304,262 * 10/1989 Mays D3/271
- D. 338,331 * 8/1993 Tse D6/631
- D. 341,484 * 11/1993 Houton D6/629
- D. 357,844 * 5/1995 Ho D6/634

- D. 417,357 * 12/1999 Young D6/631
- D. 430,444 * 9/2000 Allsop et al. D6/632
- D. 433,066 * 10/2000 Porter D19/90
- 5,350,068 * 9/1994 Chieng 206/308.1
- 5,535,884 * 7/1996 Scott et al. 206/445
- 5,586,650 * 12/1996 Yeh 206/308.1
- 5,590,770 * 1/1997 Yeh 206/308.1
- 6,170,657 * 1/2001 Allsop et al. 206/308.1

* cited by examiner

Primary Examiner—Jeffrey Asch

(74) *Attorney, Agent, or Firm*—Pro-Techtor International
Services

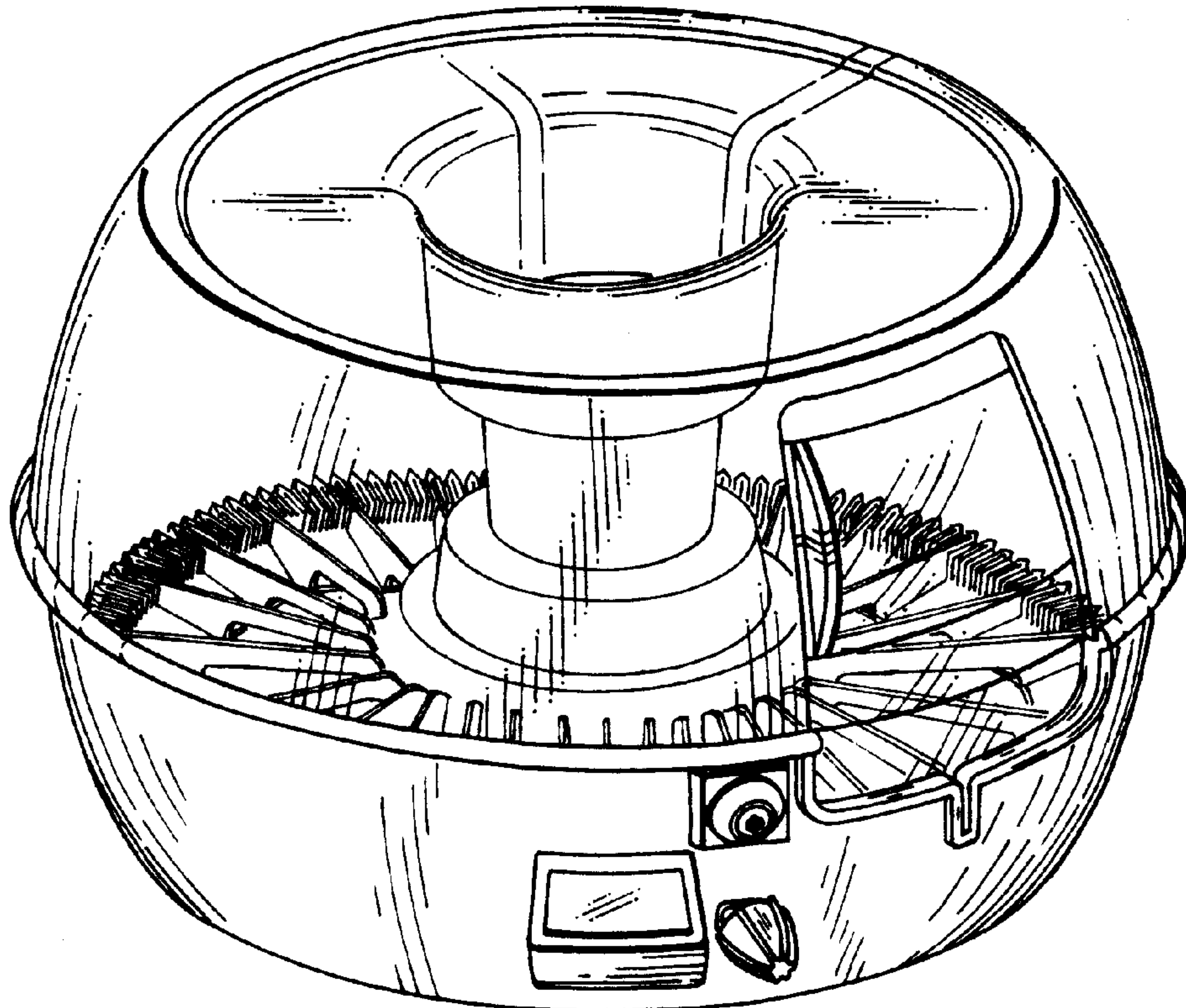
(57) **CLAIM**

The ornamental design for an optical disk container, as
shown and described.

DESCRIPTION

FIG. 1 is a front, top, left perspective view of an optical disk
container showing my design;
FIG. 2 is a front elevational view thereof;
FIG. 3 is rear elevational view thereof;
FIG. 4 is a left elevational view thereof;
FIG. 5 is a right elevational view thereof;
FIG. 6 is a top plan view thereof;
FIG. 7 is a bottom plan view thereof; and,
FIG. 8 is a perspective view illustrating use of the optical
disk container in FIG. 1, wherein a lid allowing storage/
removal of optical disks is in an opened position.

1 Claim, 8 Drawing Sheets



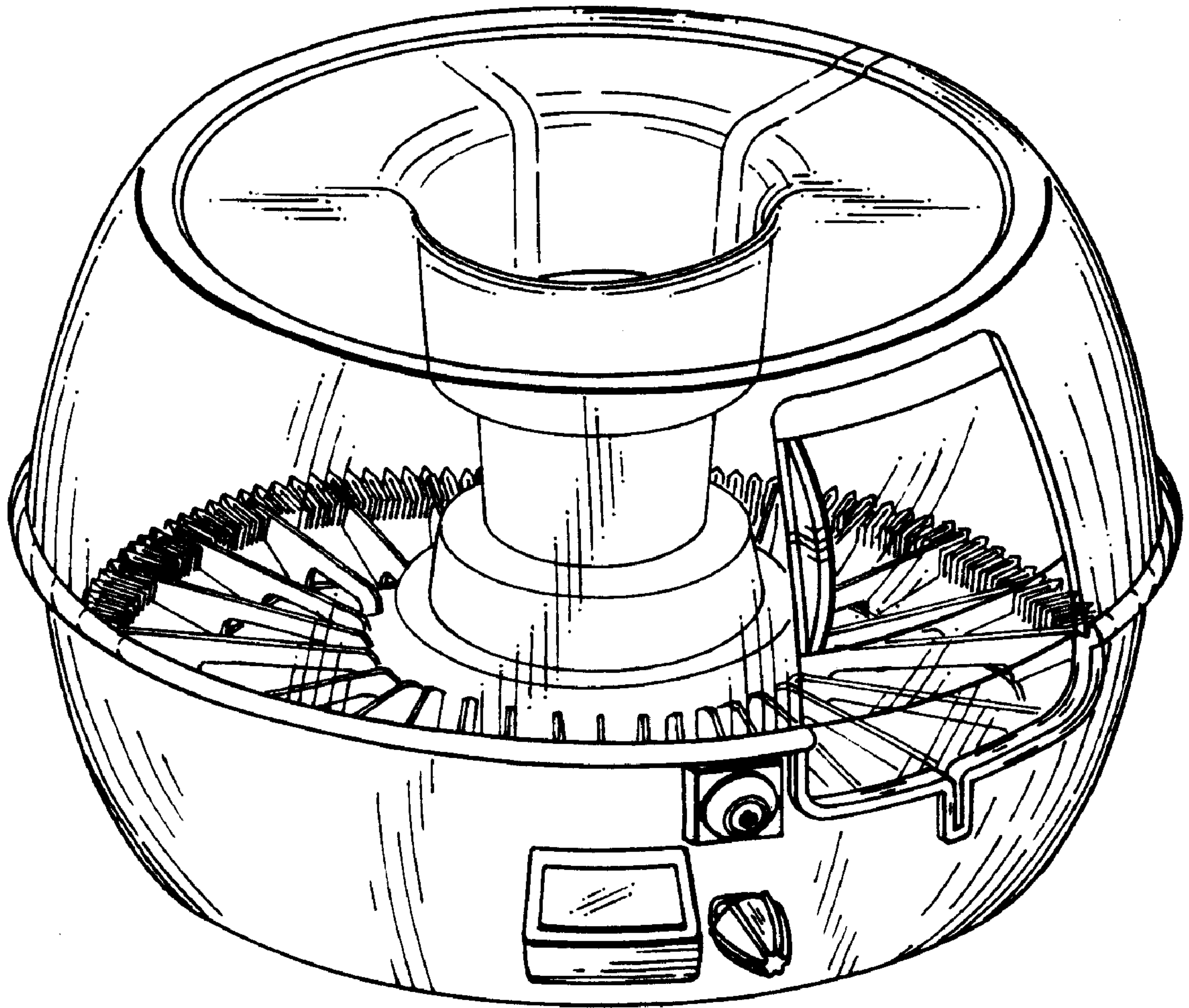


FIG. 1

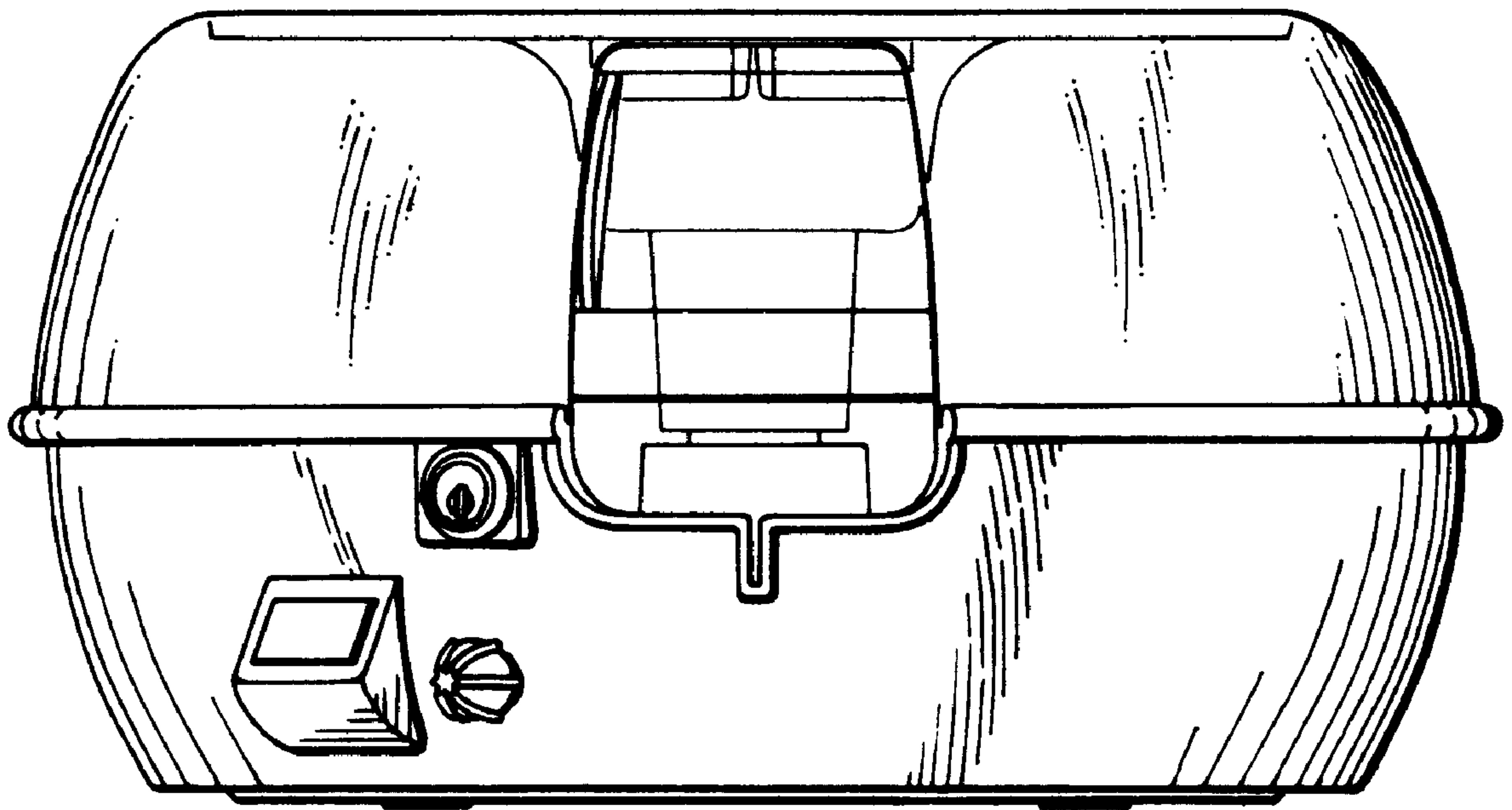


FIG. 2

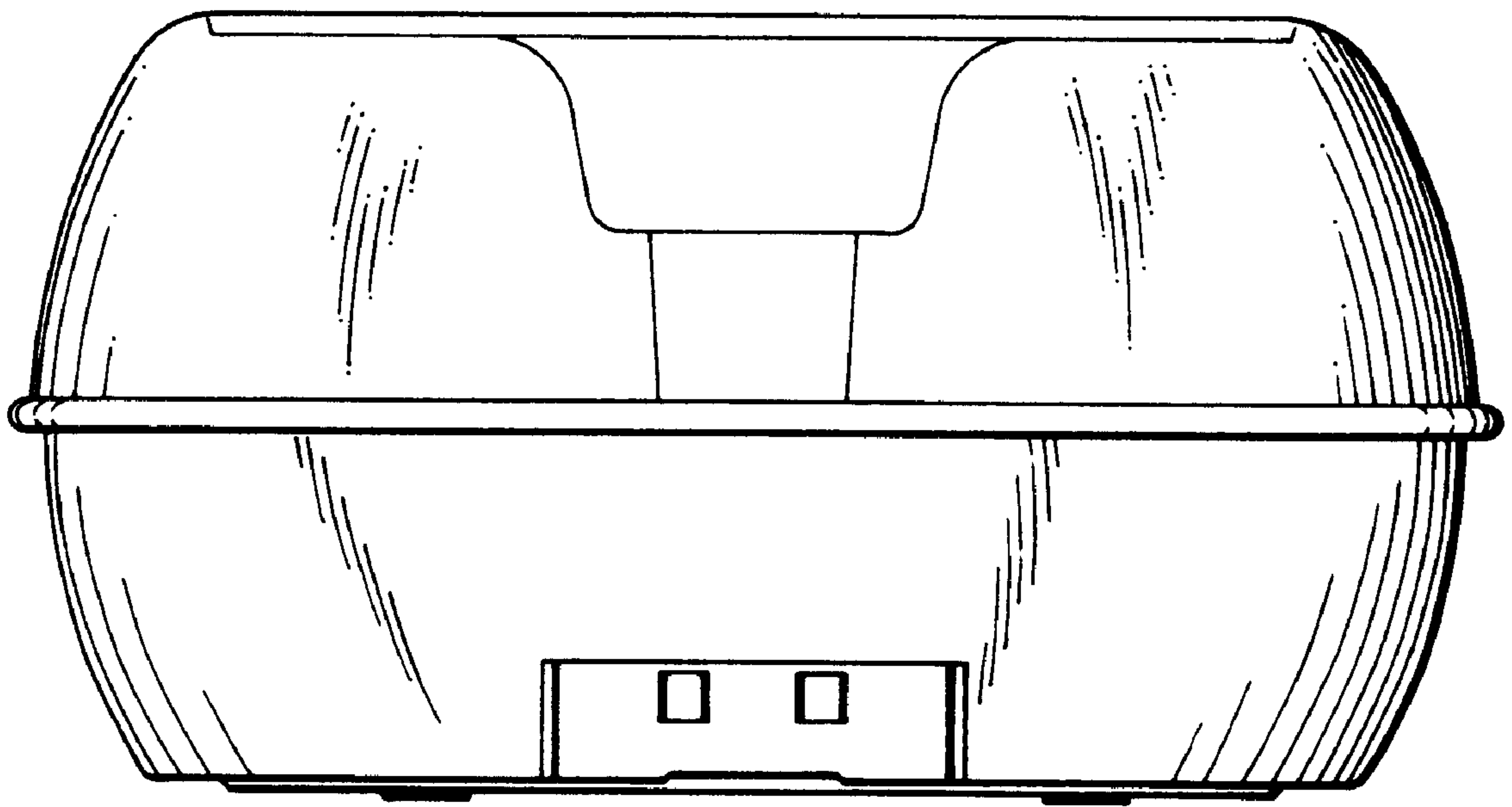


FIG. 3

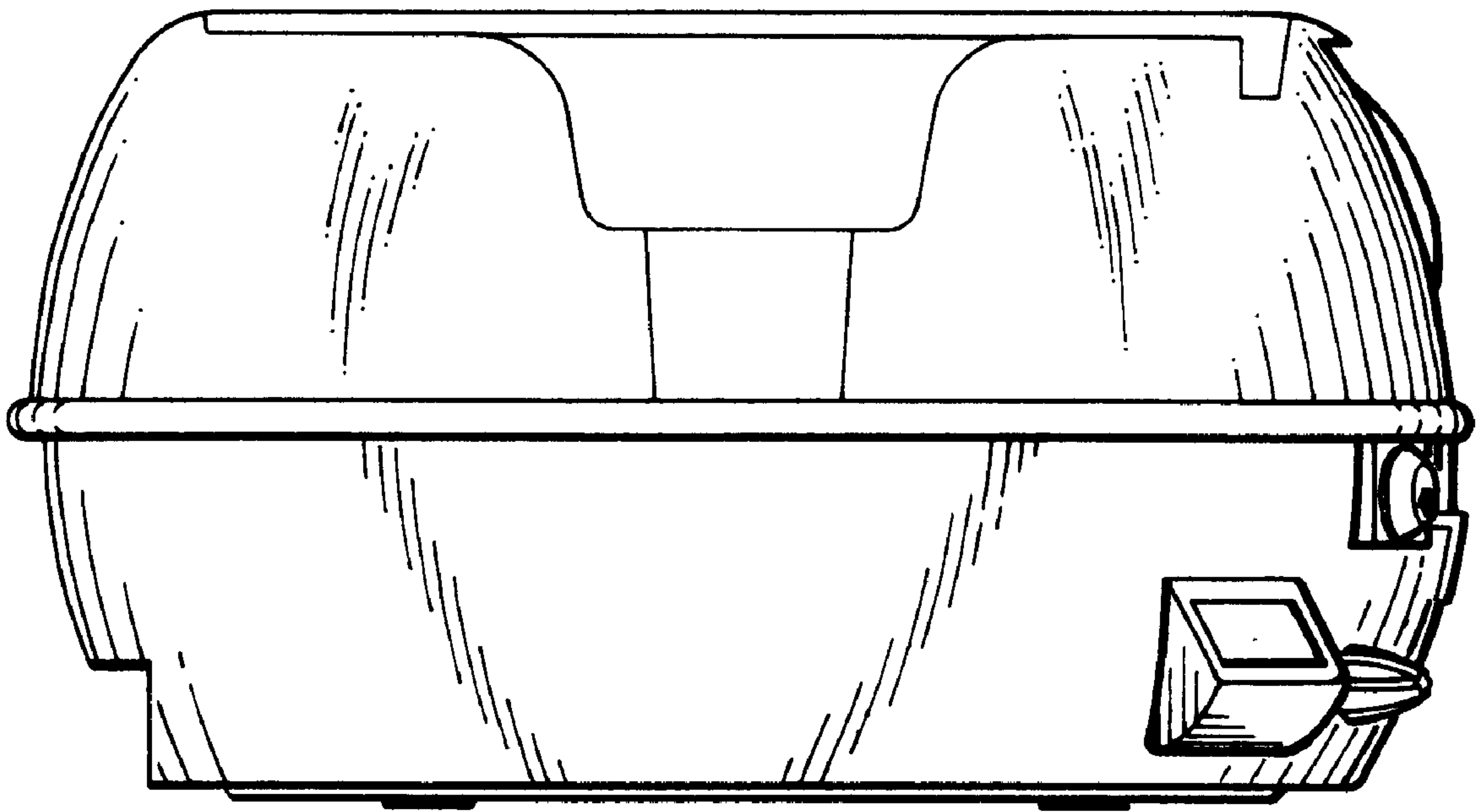


FIG. 4

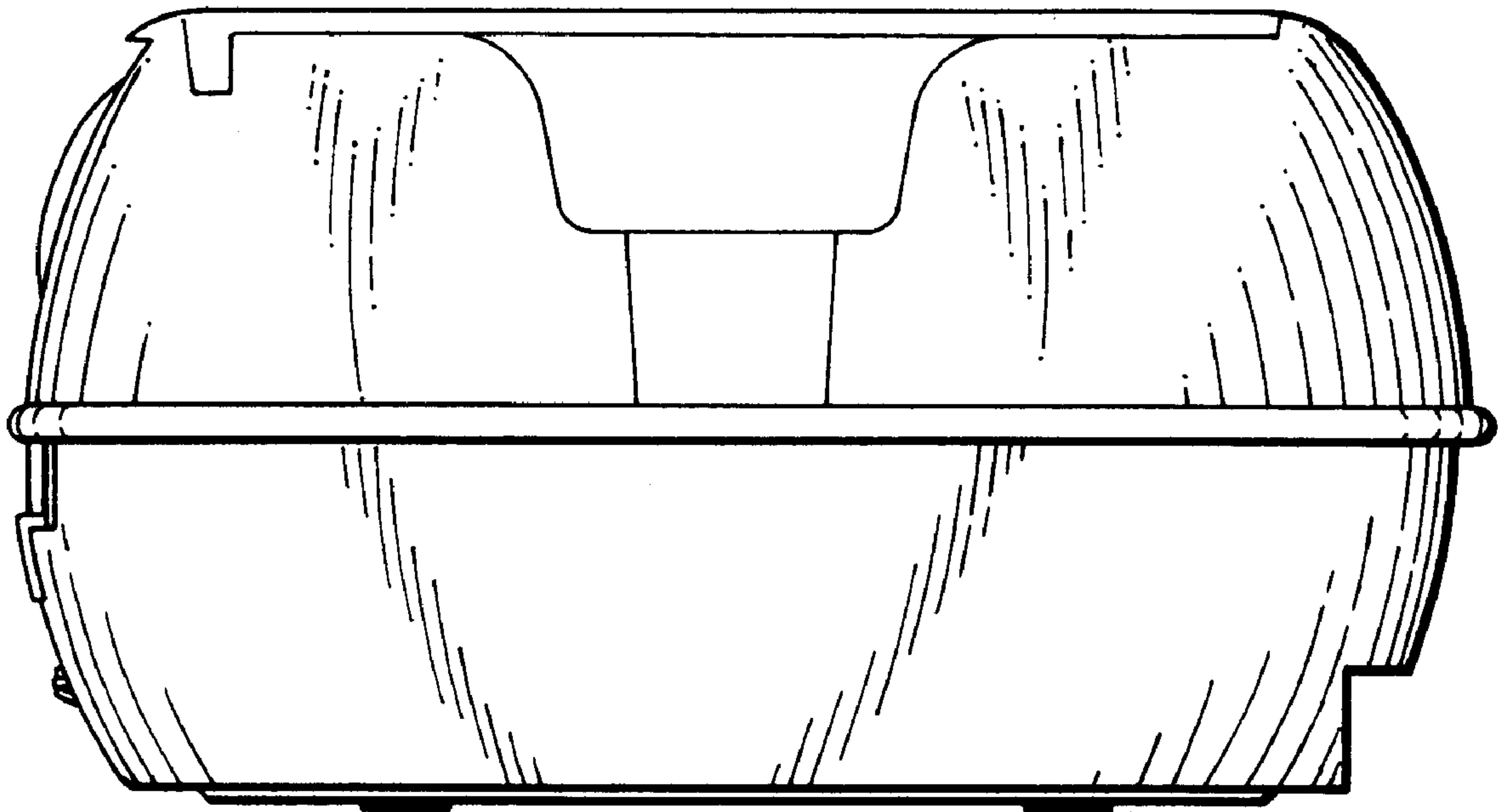


FIG. 5

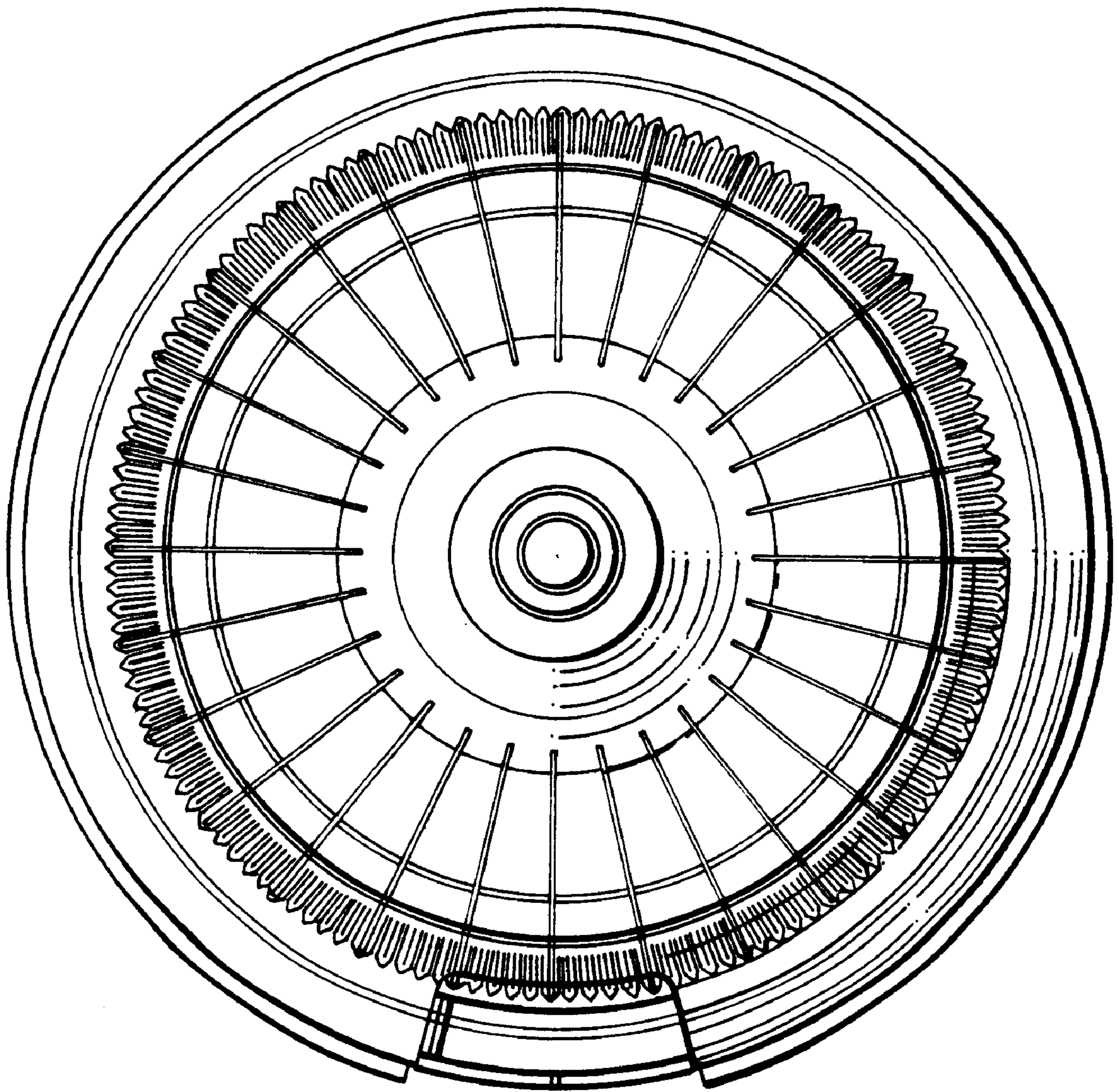


FIG. 6

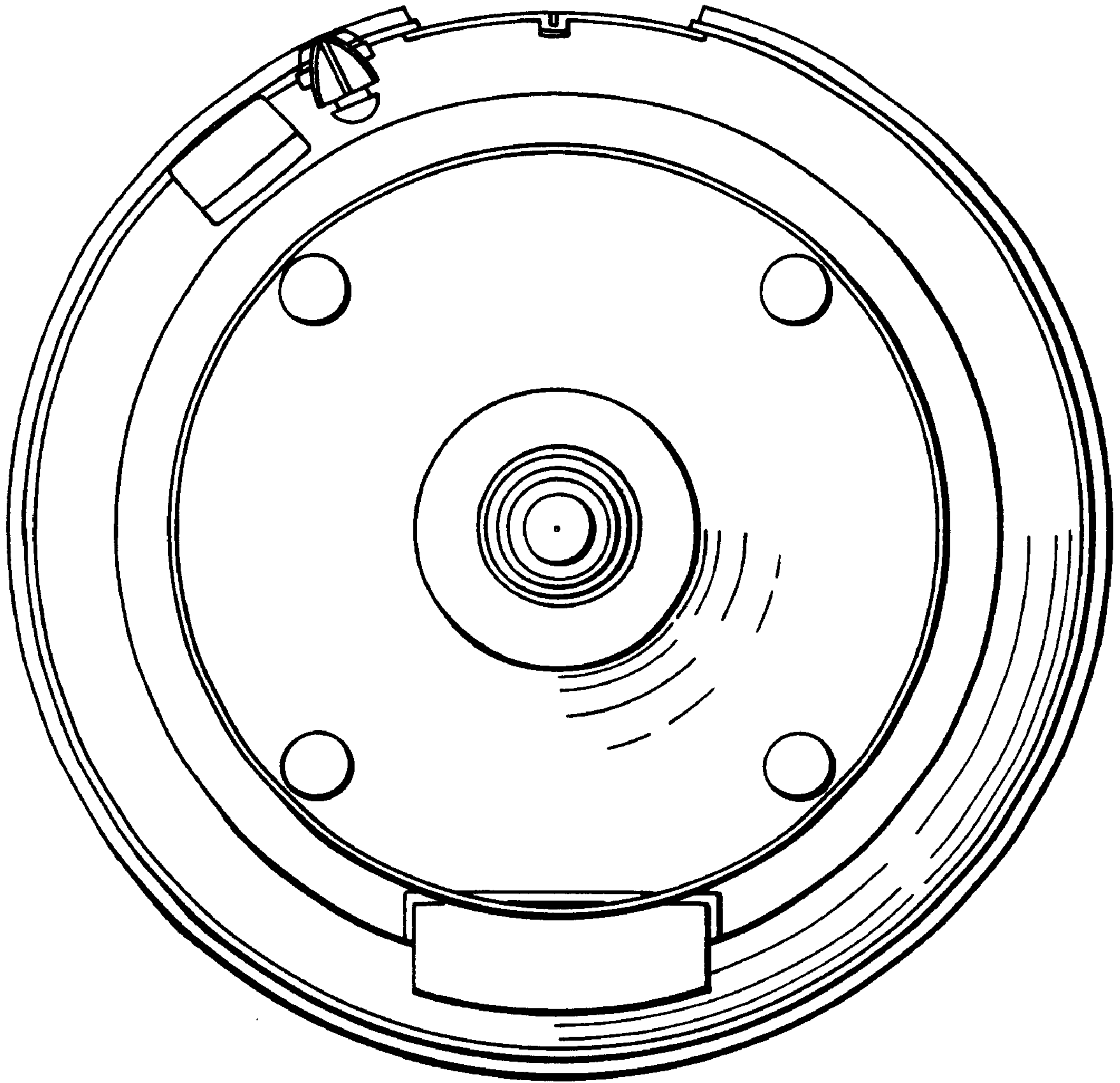


FIG. 7

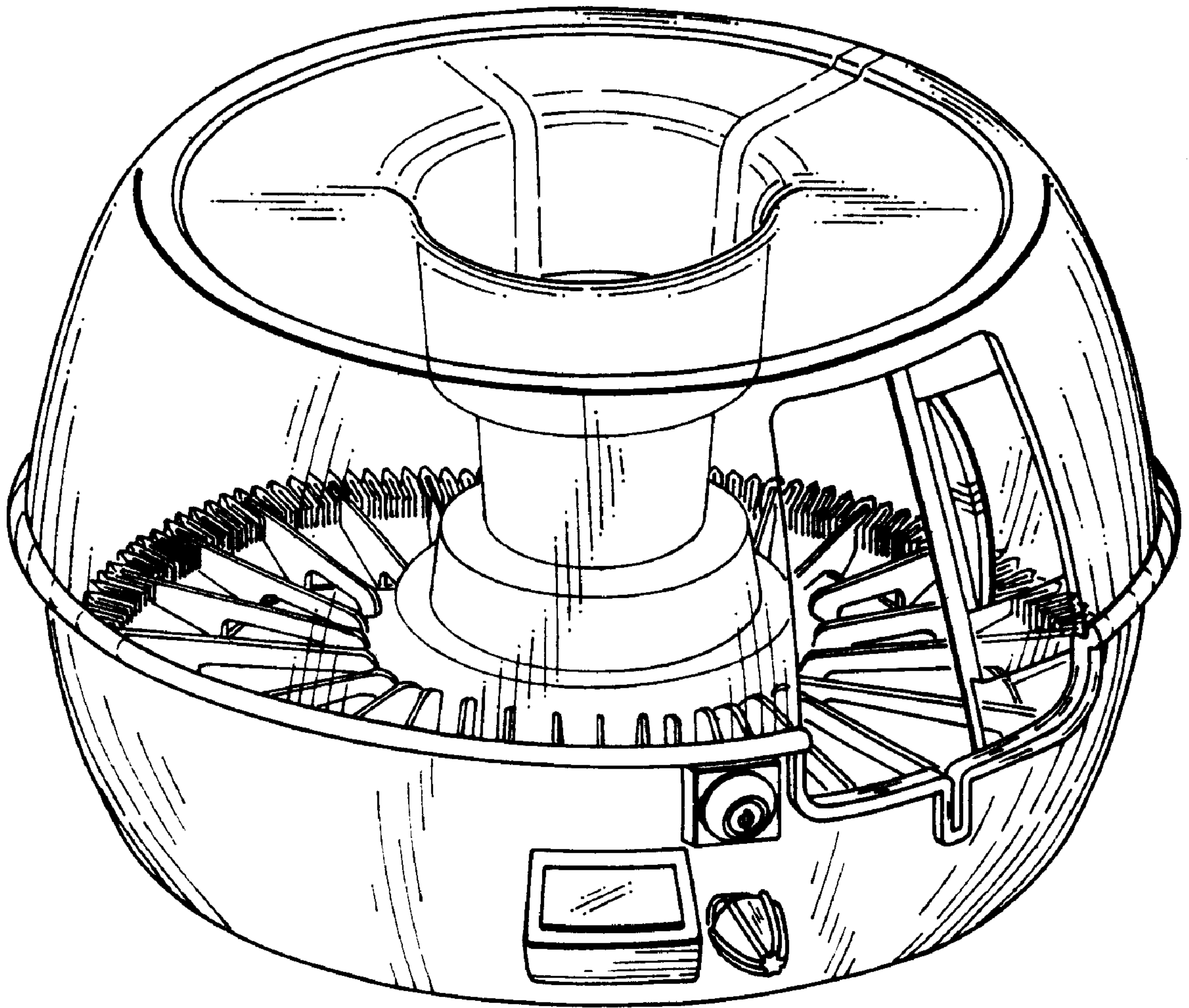


FIG. 8