



US00D442814S

(12) **United States Design Patent**
Sterling et al.

(10) **Patent No.: US D442,814 S**

(45) **Date of Patent: ** May 29, 2001**

(54) **STORAGE DEVICE**

(75) Inventors: **John R. Sterling**, Woodstock, IL (US);
Richard G. Kluge, Lake Geneva, WI (US)

(73) Assignee: **John Sterling Corporation**, Richmond, IL (US)

(**) Term: **14 Years**

(21) Appl. No.: **29/118,712**

(22) Filed: **Feb. 14, 2000**

(51) **LOC (7) Cl.** **06-04**

(52) **U.S. Cl.** **D6/553**

(58) **Field of Search** D6/552, 553, 567,
D6/569, 570; 211/60.1, 13.1, 69.1, 69.5,
70.1, 70.6, 71.01; 248/309.1, 310, 314

(56) **References Cited**

U.S. PATENT DOCUMENTS

- D. 340,610 * 10/1993 Hubbard D6/567
- D. 416,738 * 11/1999 Bergman D6/567
- 3,337,058 * 8/1967 Sandrick 211/69
- 4,880,122 * 11/1989 Martindell 211/70.6

OTHER PUBLICATIONS

Advertising Slick: Heavy Duty Wall Organizer Value Pack, Model RP-0024, 2 pages, Form No. RP24-SI, John Sterling Corporation, Copyright 1991.

Advertising Slick: Home Storage & Organization, John Sterling Corporation, 1 page, Form No. ORGI-SL, Copyright 1997.

* cited by examiner

Primary Examiner—Brian N. Vinson

(74) *Attorney, Agent, or Firm*—Rockey, Milnamow & Katz, Ltd.

(57) **CLAIM**

The ornamental design for a storage device, as shown and described.

DESCRIPTION

FIG. 1 is an enlarged fragmentary top, front, and left side perspective view of a storage device showing our new design, the article being shown broken-away for convenience of illustration;

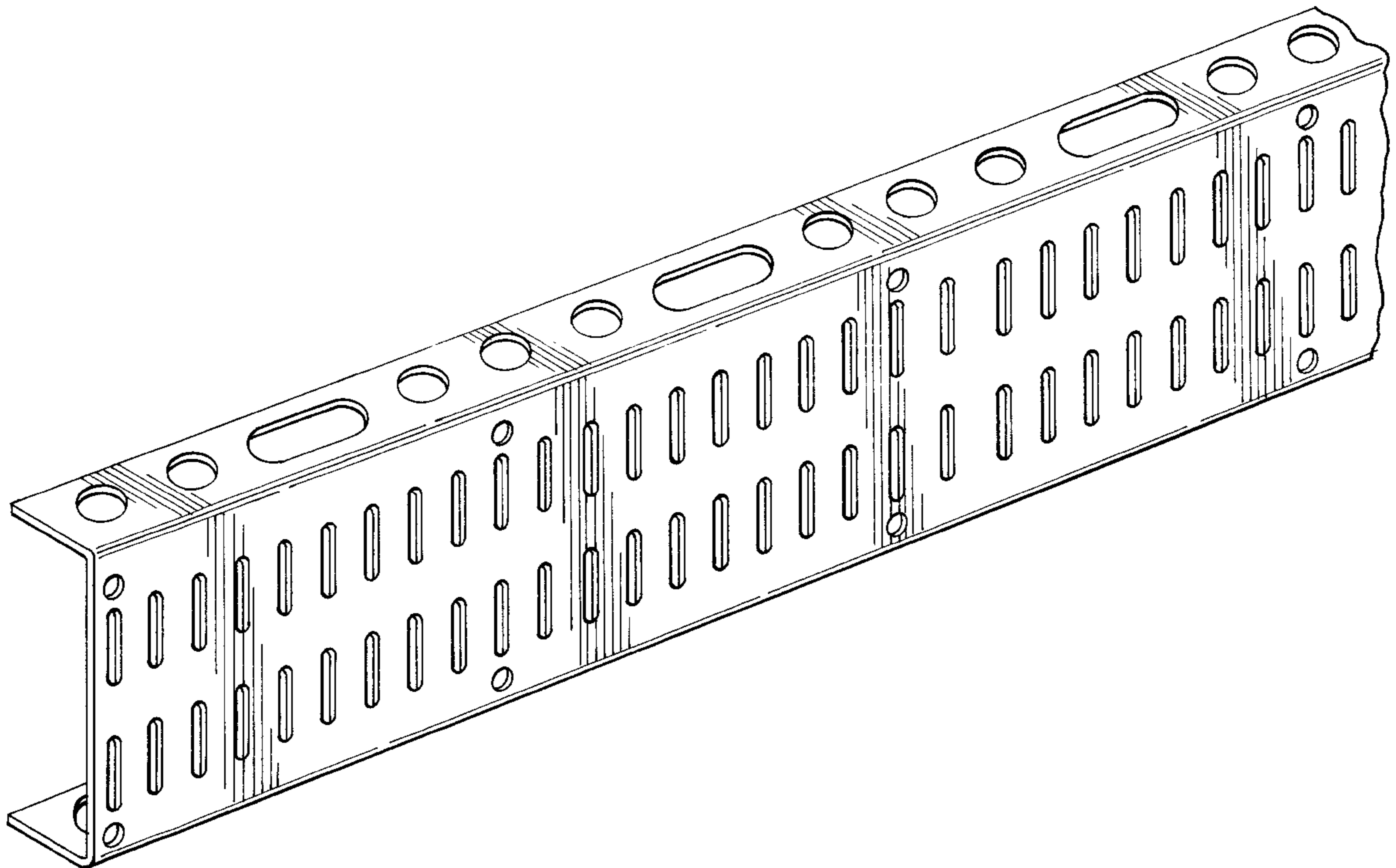
FIG. 2 is a front elevational view thereof;

FIG. 3 is a top plan view thereof;

FIG. 4 is a bottom plan view thereof; and,

FIG. 5 is a right side elevational view thereof.

1 Claim, 2 Drawing Sheets



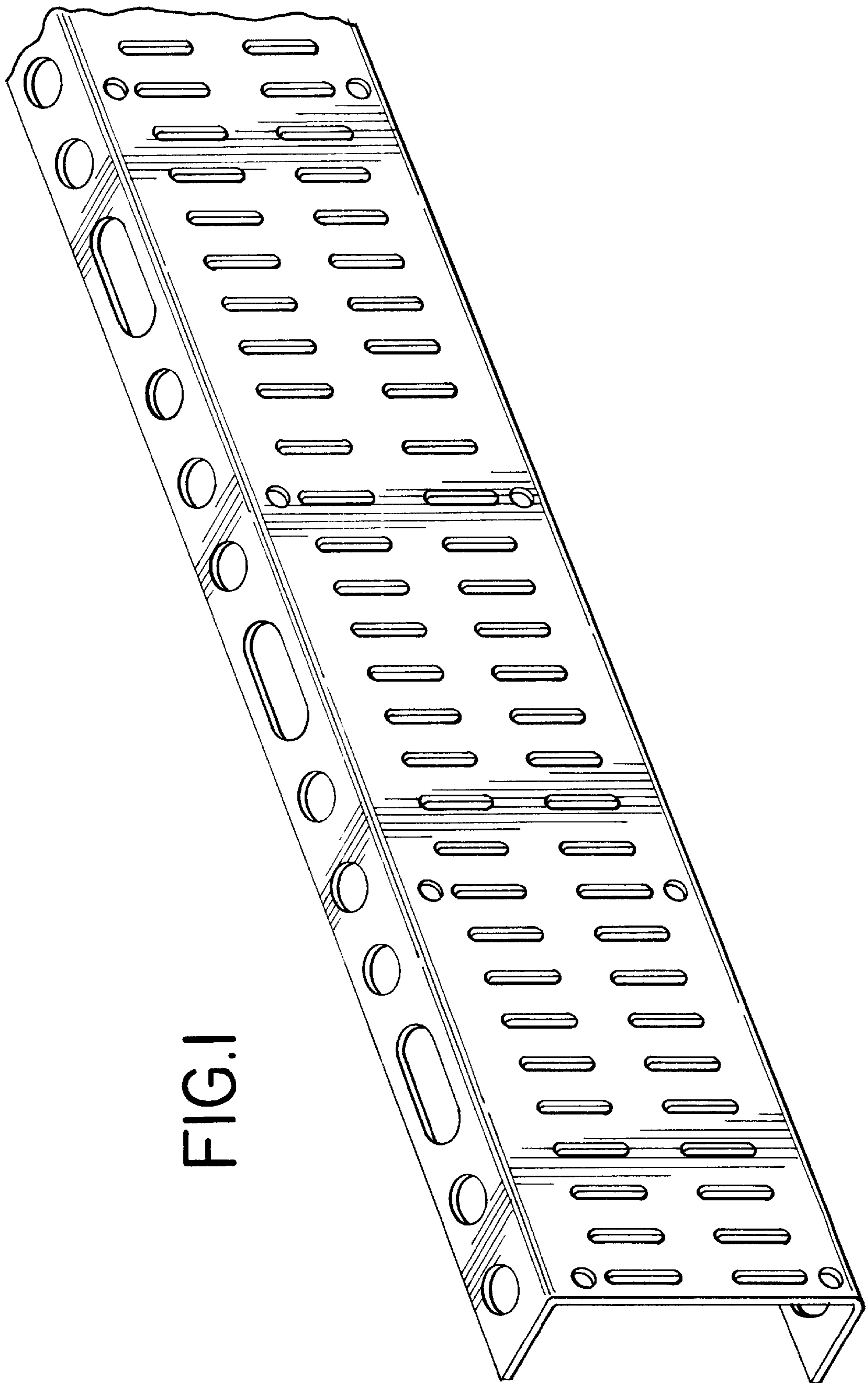


FIG.1

FIG.2

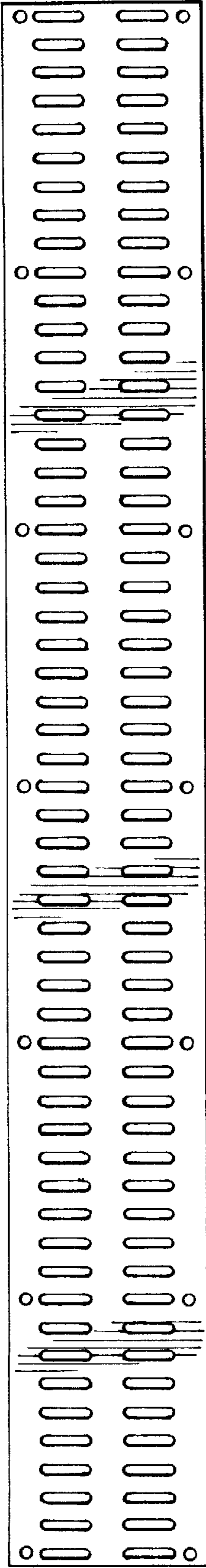


FIG.3

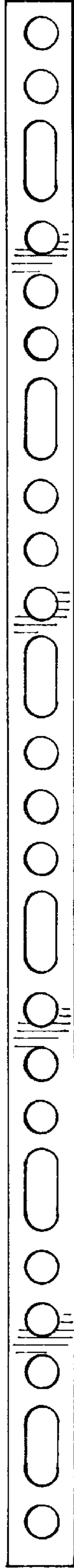


FIG.4



FIG.5

