



US00D442813S

(12) **United States Design Patent**  
**Andersson**

(10) **Patent No.:** **US D442,813 S**

(45) **Date of Patent:** **\*\* May 29, 2001**

(54) **SOAP DISPENSER**

(75) Inventor: **Jerker Andersson, Göteborg (SE)**

(73) Assignee: **SCA Hygiene Products AB,**  
**Gothenburg (SE)**

(\*\*) Term: **14 Years**

(21) Appl. No.: **29/114,423**

(22) Filed: **Nov. 24, 1999**

(30) **Foreign Application Priority Data**

May 26, 1999 (SE) ..... 99-0941  
May 26, 1999 (SE) ..... 99-0948

(51) **LOC (7) Cl.** ..... **23-02**

(52) **U.S. Cl.** ..... **D6/545**

(58) **Field of Search** ..... D6/540-545; 222/105,  
222/129, 173, 180, 181, 185; 221/282,  
283

(56) **References Cited**

**U.S. PATENT DOCUMENTS**

D. 349,827 \* 8/1994 Brandenburg ..... D6/545  
D. 350,665 \* 9/1994 Ophardt ..... D6/545  
D. 378,035 \* 2/1997 Ophardt ..... D6/545  
D. 386,027 \* 11/1997 Cameron et al. .... D6/545  
D. 388,990 \* 1/1998 Brandenburg et al. .... D6/545

\* cited by examiner

*Primary Examiner*—Brian N. Vinson

(74) *Attorney, Agent, or Firm*—Burns, Doane, Swecker & Mathis, L.L.P.

(57) **CLAIM**

The ornamental design for a soap dispenser, as shown and described.

**DESCRIPTION**

FIG. 1 is a front, side perspective view of a soap dispenser showing my new design;

FIG. 2 is a side perspective view thereof, with the casing portion being shown in an open position and the soap bottle moved upwards for clarity;

FIG. 3 is a rear perspective view of the casing portion of the soap dispenser shown in FIG. 1, with the wall mounting portion and soap bottle being removed for clarity;

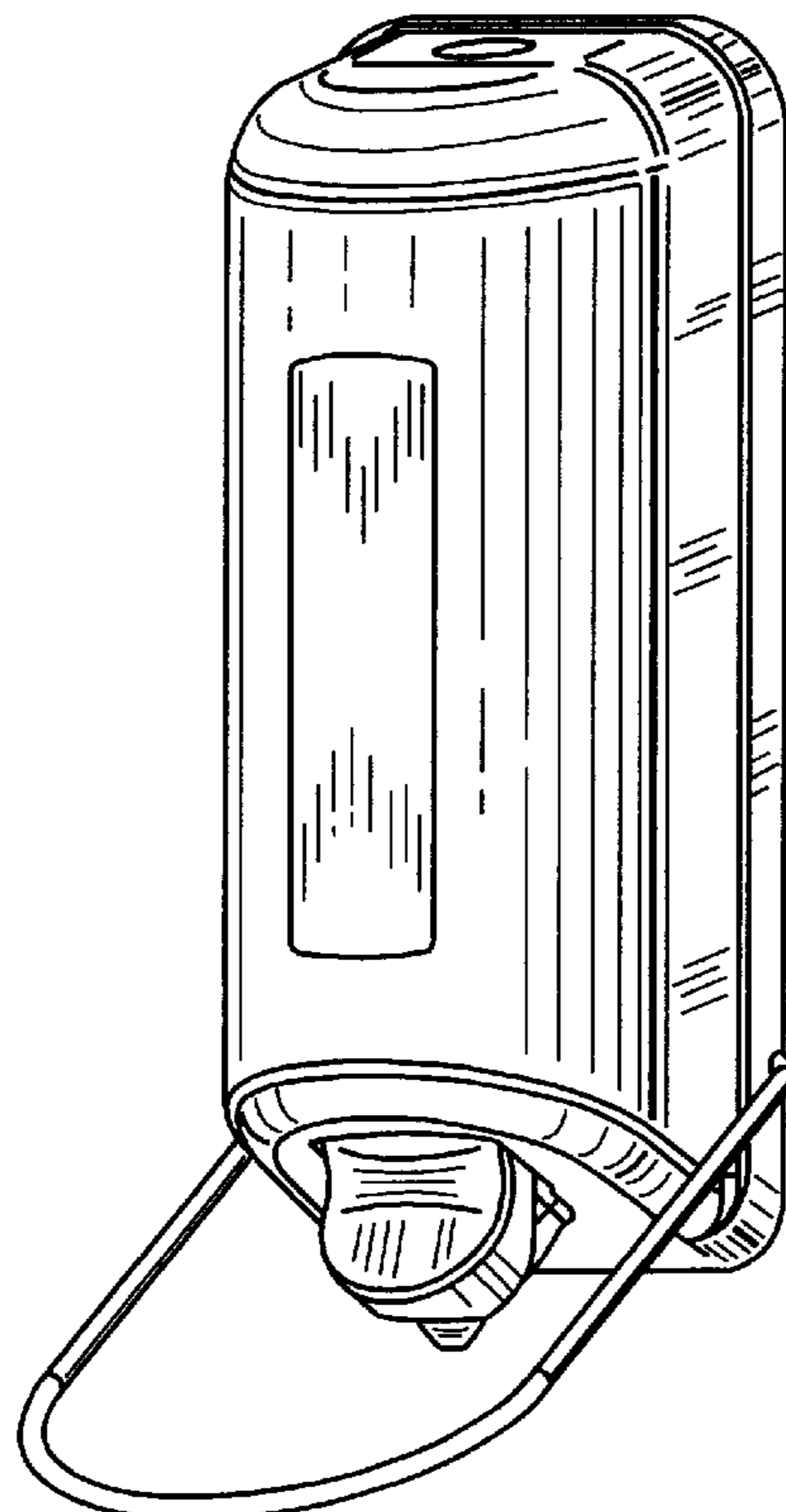
FIG. 4 is a rear perspective view of the wall mounting portion of the soap dispenser shown in FIG. 1, with the casing portion being removed for clarity;

FIG. 5 is a front perspective view of the dispensing handle of the soap dispenser shown in FIG. 1, in an unmounted position;

FIG. 6 is a rear perspective view thereof; and,

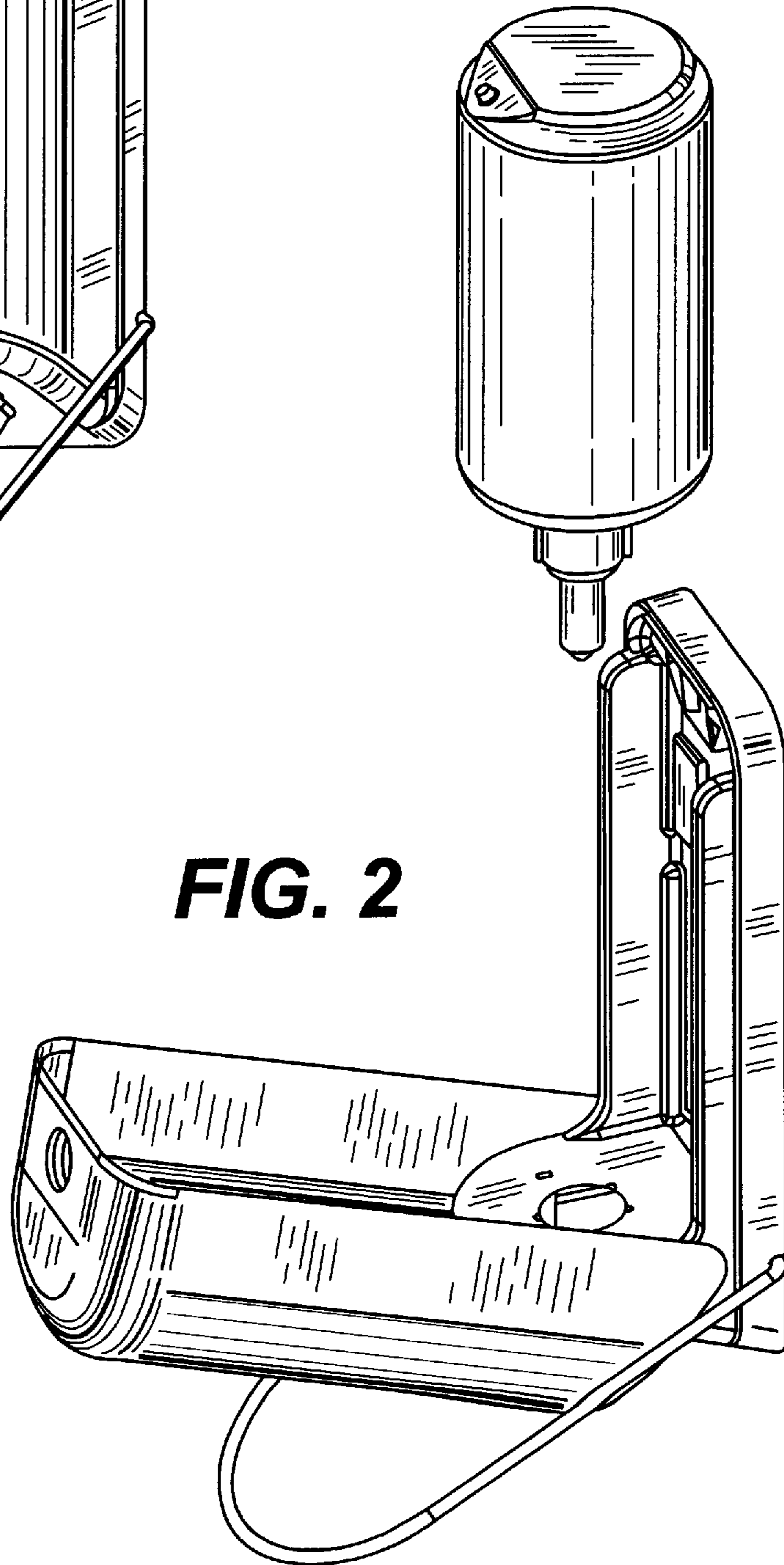
FIG. 7 is a perspective view of the soap bottle of the soap dispenser shown in FIG. 1, with the spout removed.

**1 Claim, 2 Drawing Sheets**

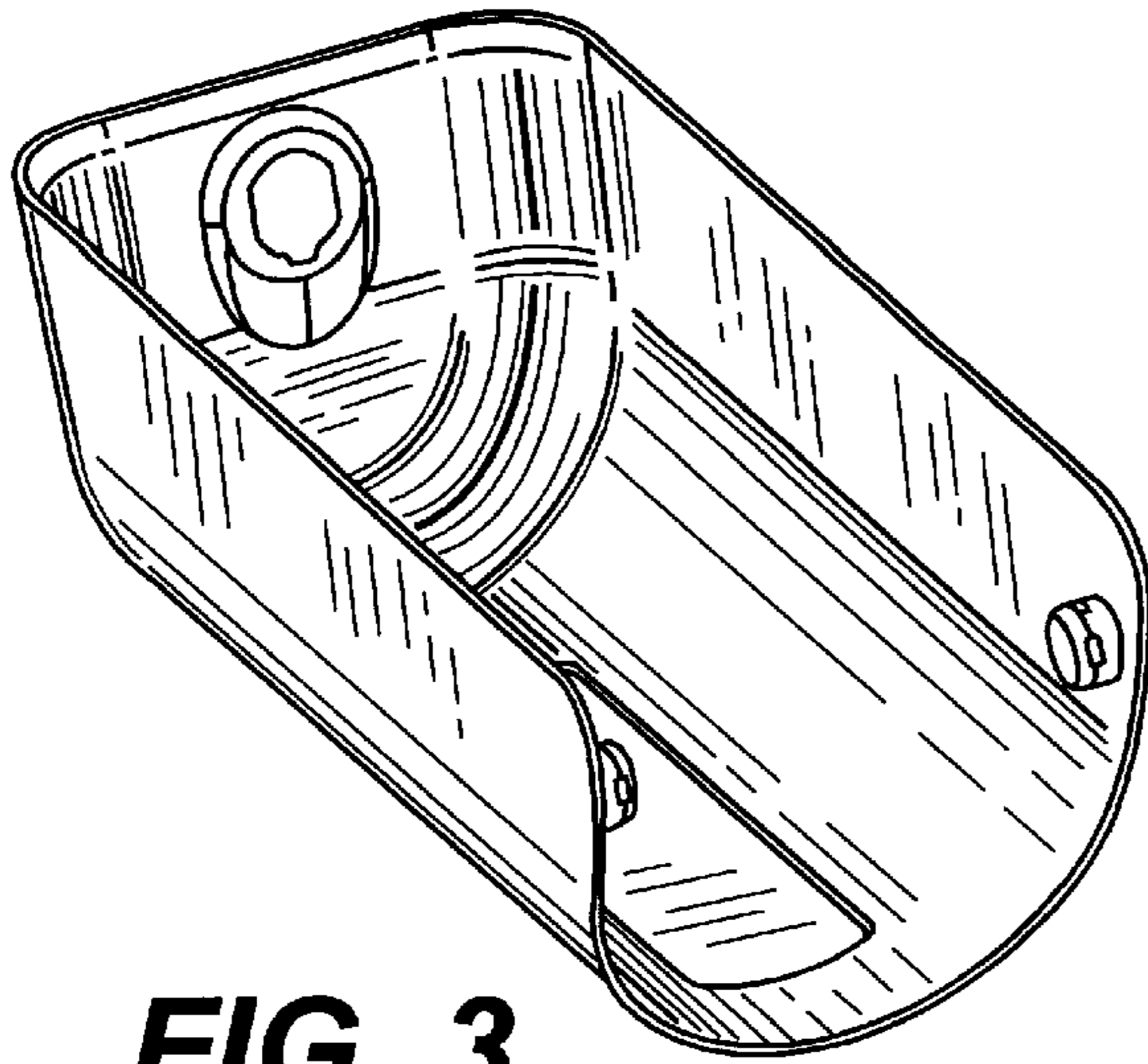




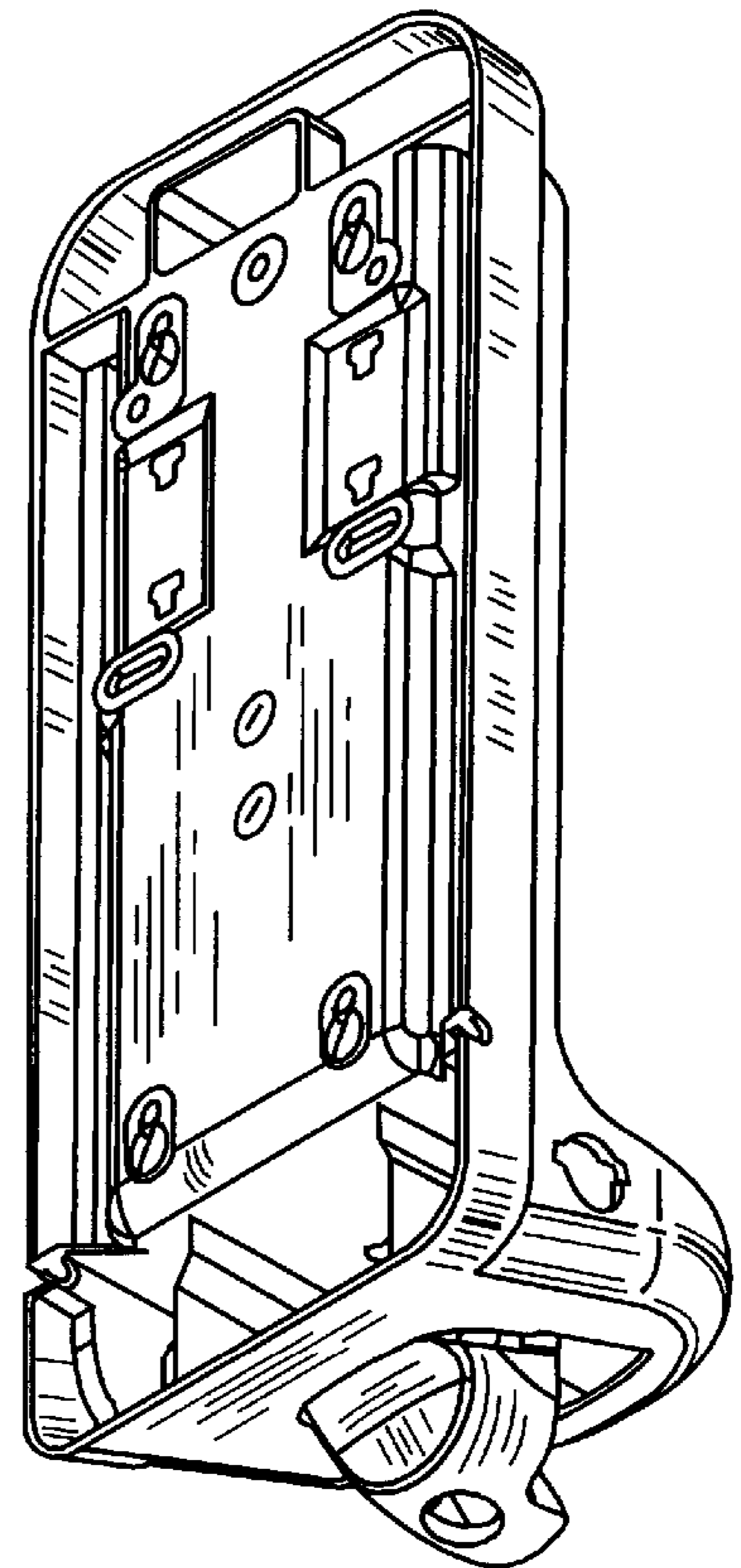
**FIG. 1**



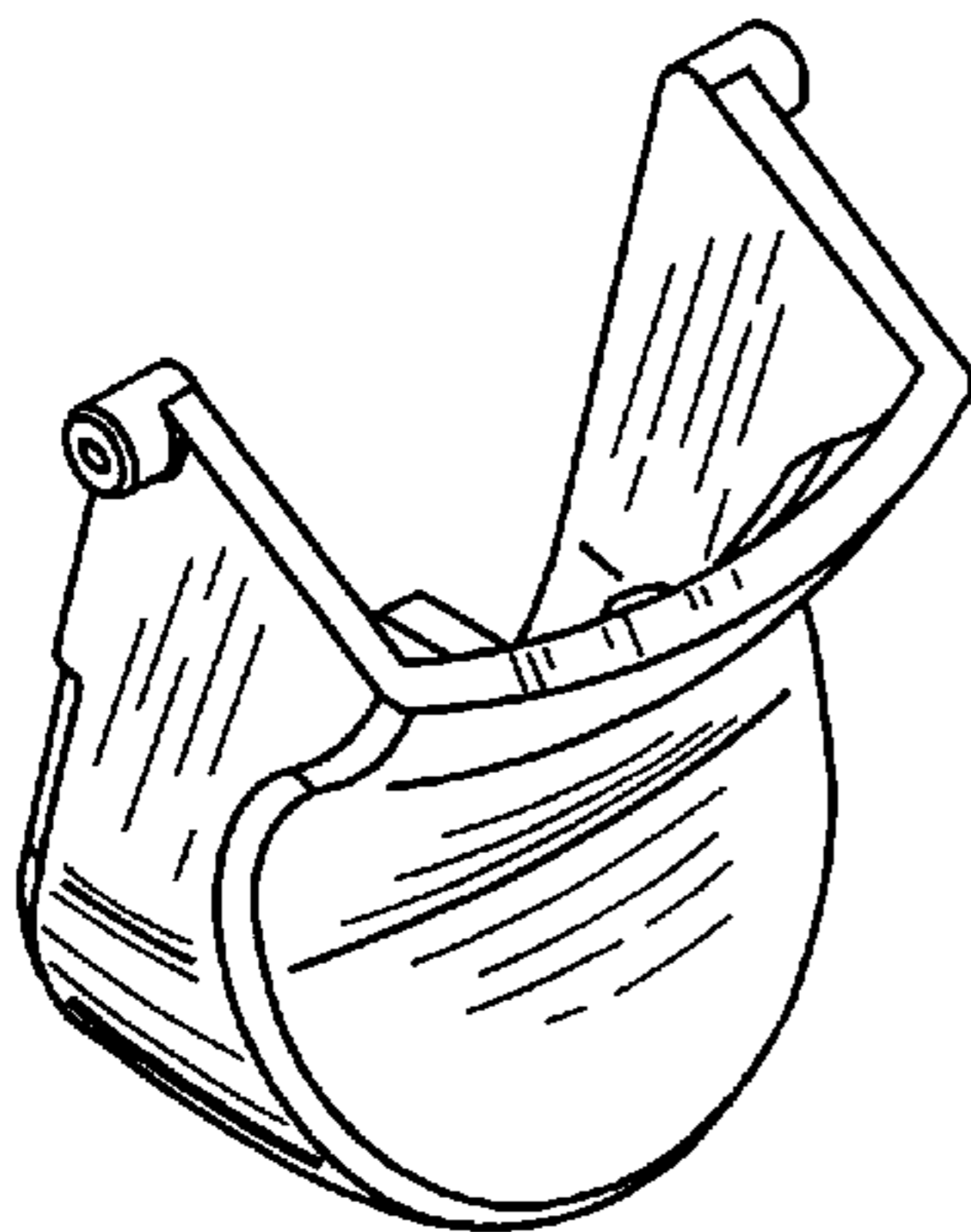
**FIG. 2**



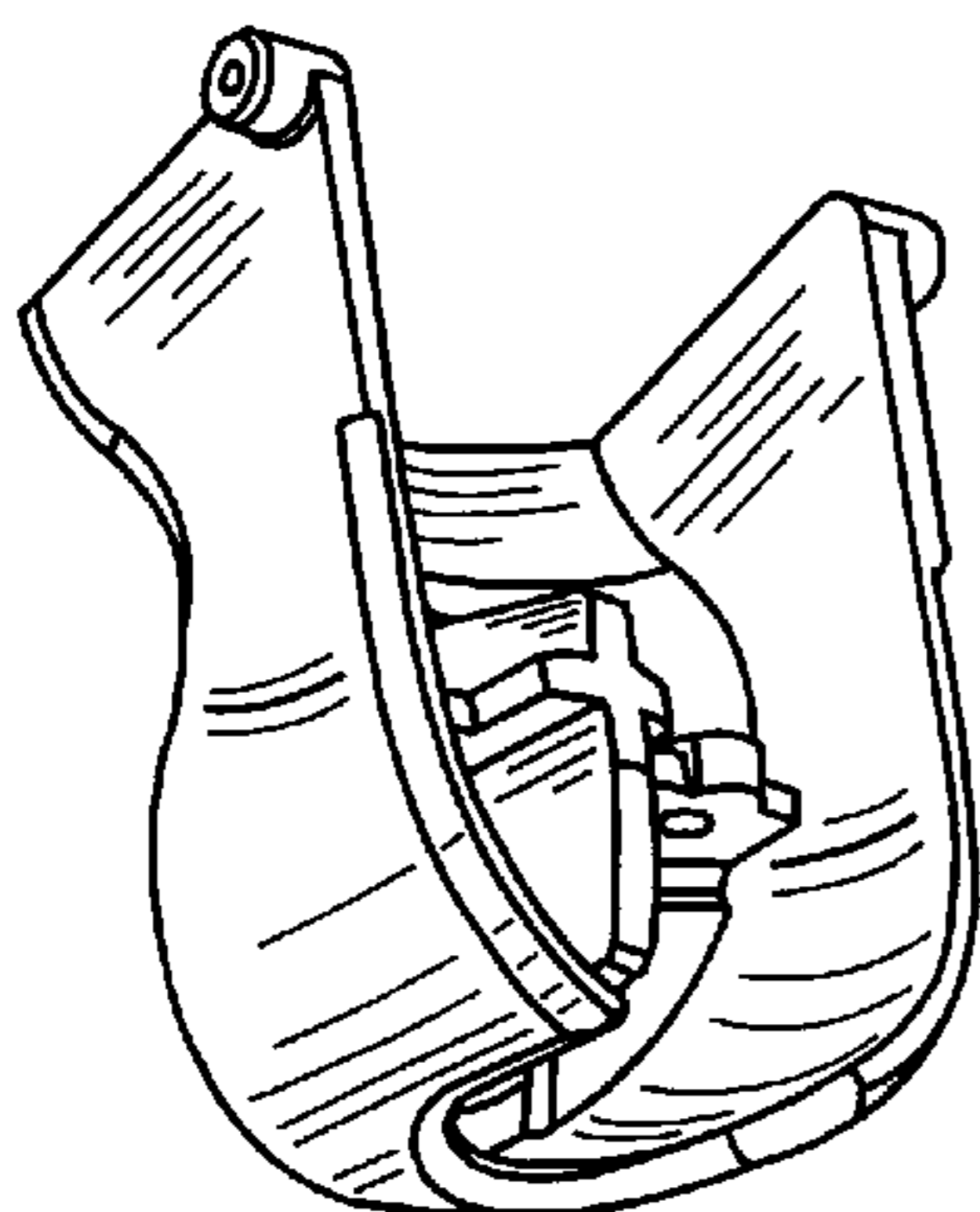
**FIG. 3**



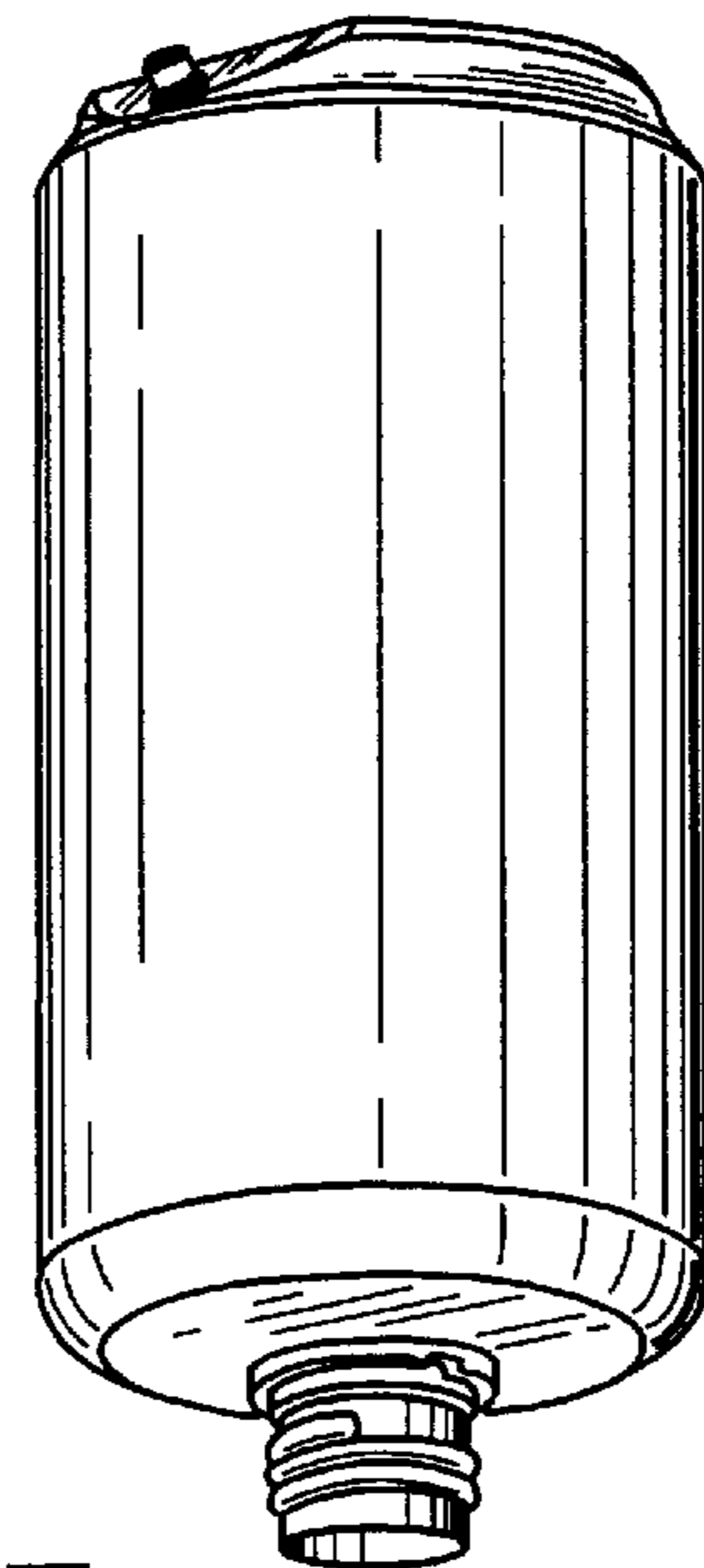
**FIG. 4**



**FIG. 5**



**FIG. 6**



**FIG. 7**