



US00D442812S

(12) **United States Design Patent**  
**McMahon et al.**

(10) **Patent No.:** **US D442,812 S**

(45) **Date of Patent:** **\*\* May 29, 2001**

(54) **TUB DECK**

(76) Inventors: **Kenneth J. McMahon; Cathy S. McMahon**, both of 21005 Damson Rd., Lynnwood, WA (US) 98036

(\*\*) Term: **14 Years**

(21) Appl. No.: **29/117,926**

(22) Filed: **Jan. 31, 2000**

(51) **LOC (7) Cl.** ..... **23-02**

(52) **U.S. Cl.** ..... **D6/525**

(58) **Field of Search** ..... D6/524, 525, 567, D6/574, 513, 514; 211/13.1, 71.01, 72, 74, 75, 86.01, 87.01, 88.01, 85.25, 90.01, 126.1, 134; 248/205.1, 235, 317

(56) **References Cited**

**U.S. PATENT DOCUMENTS**

D. 266,808	11/1982	Thompson	.....	D6/91
D. 274,486	* 7/1984	Thompson	.....	D6/525
D. 330,480	10/1992	Heinrichs, Jr.	.....	D6/525
D. 330,985	11/1992	White	.....	D6/525

D. 335,232	5/1993	Whitlock	.....	D6/525
D. 379,891	* 6/1997	Hampshire	.....	D6/525
3,295,470	* 1/1967	Johnson	.....	D6/525 X
5,621,927	4/1997	Reiss et al.	.....	4/559
5,823,366	* 10/1998	Bellamy	.....	211/85.25 X

\* cited by examiner

*Primary Examiner*—Brian N. Vinson

(74) *Attorney, Agent, or Firm*—Dean A. Craine

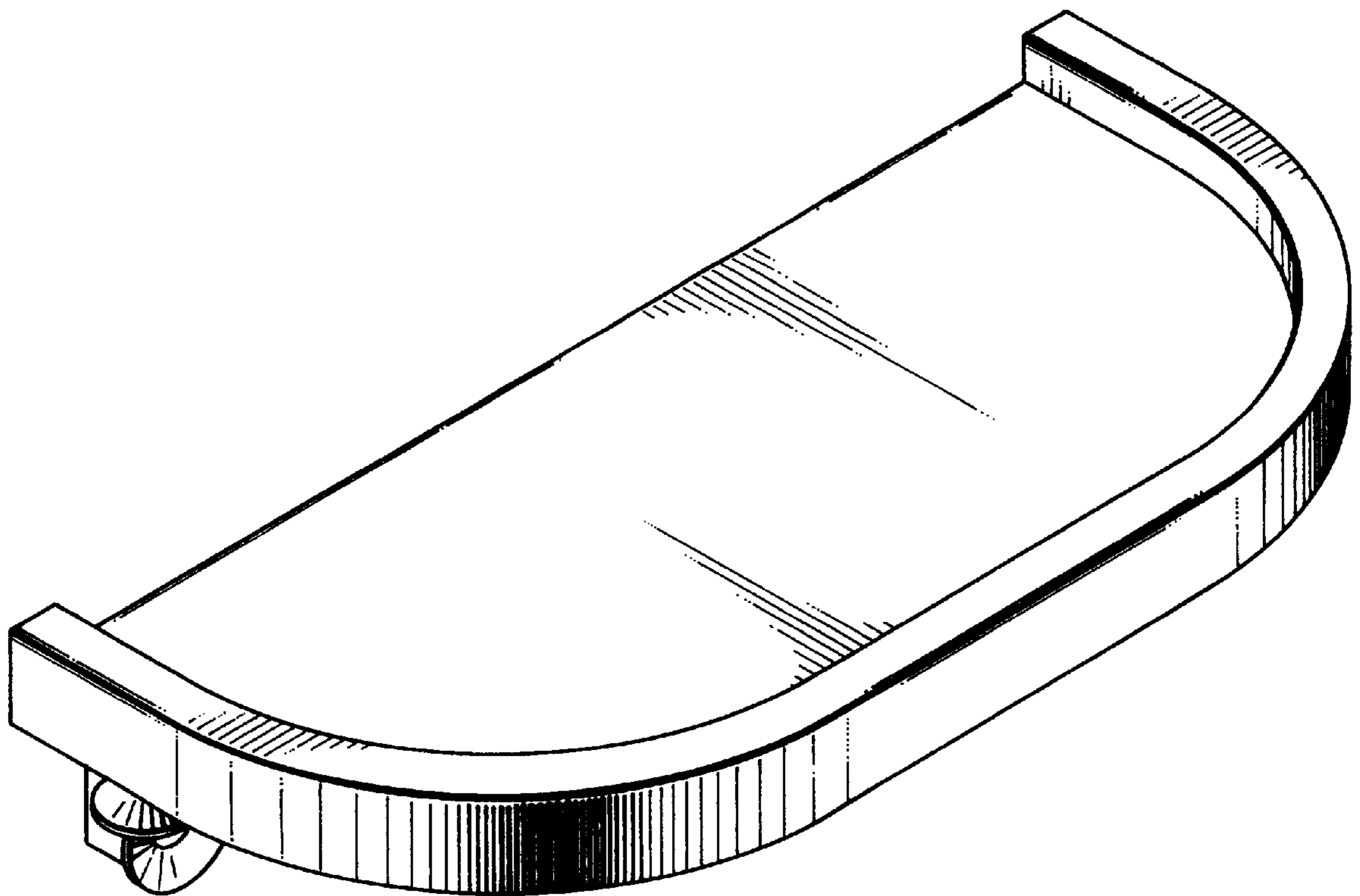
(57) **CLAIM**

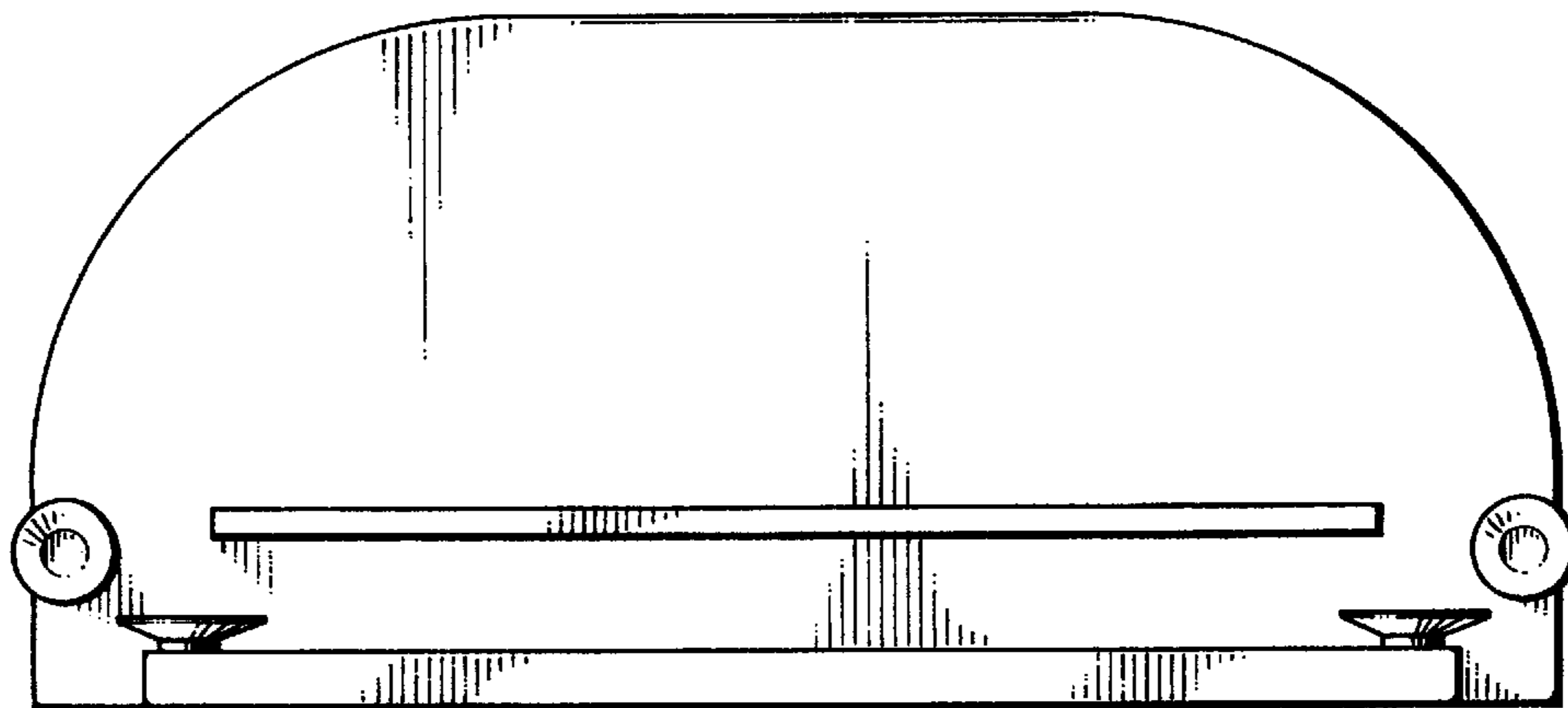
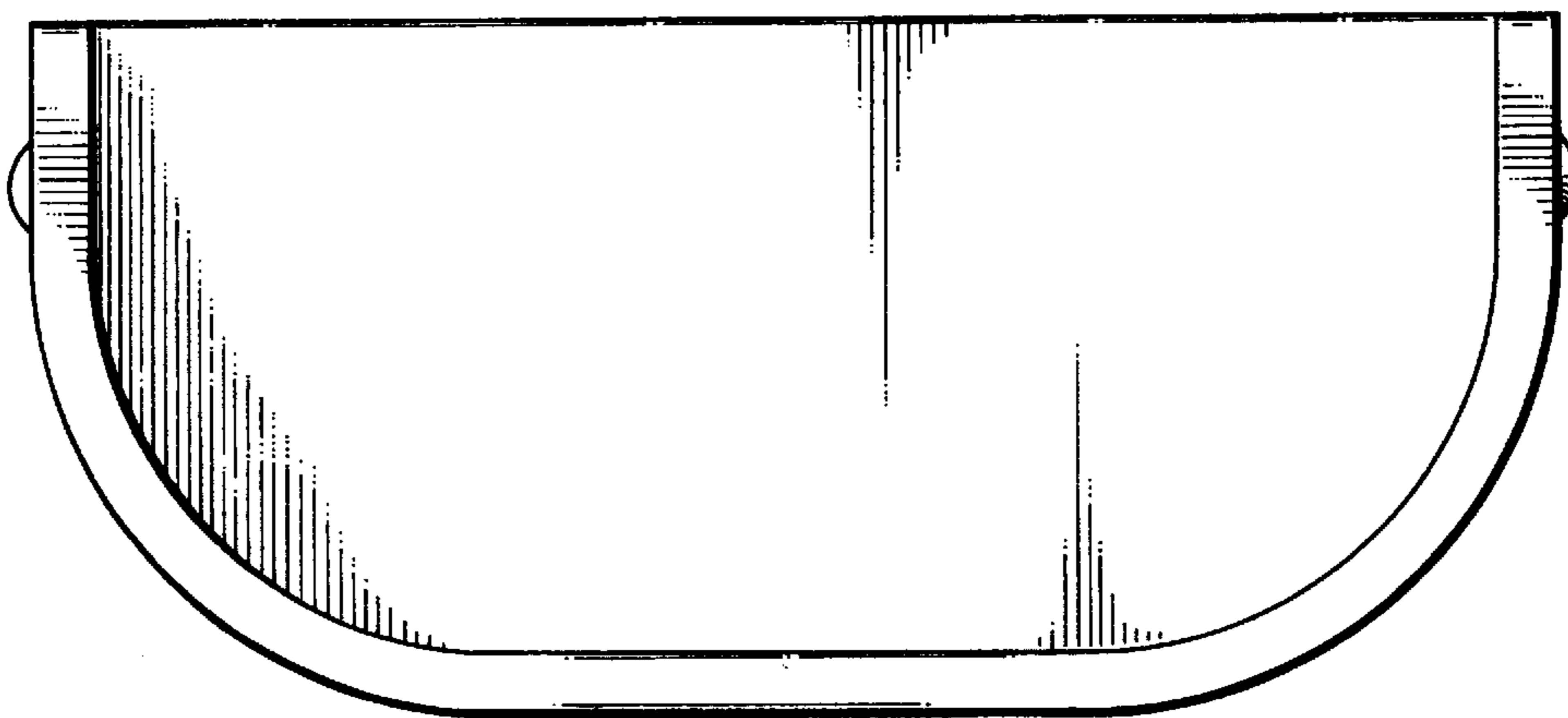
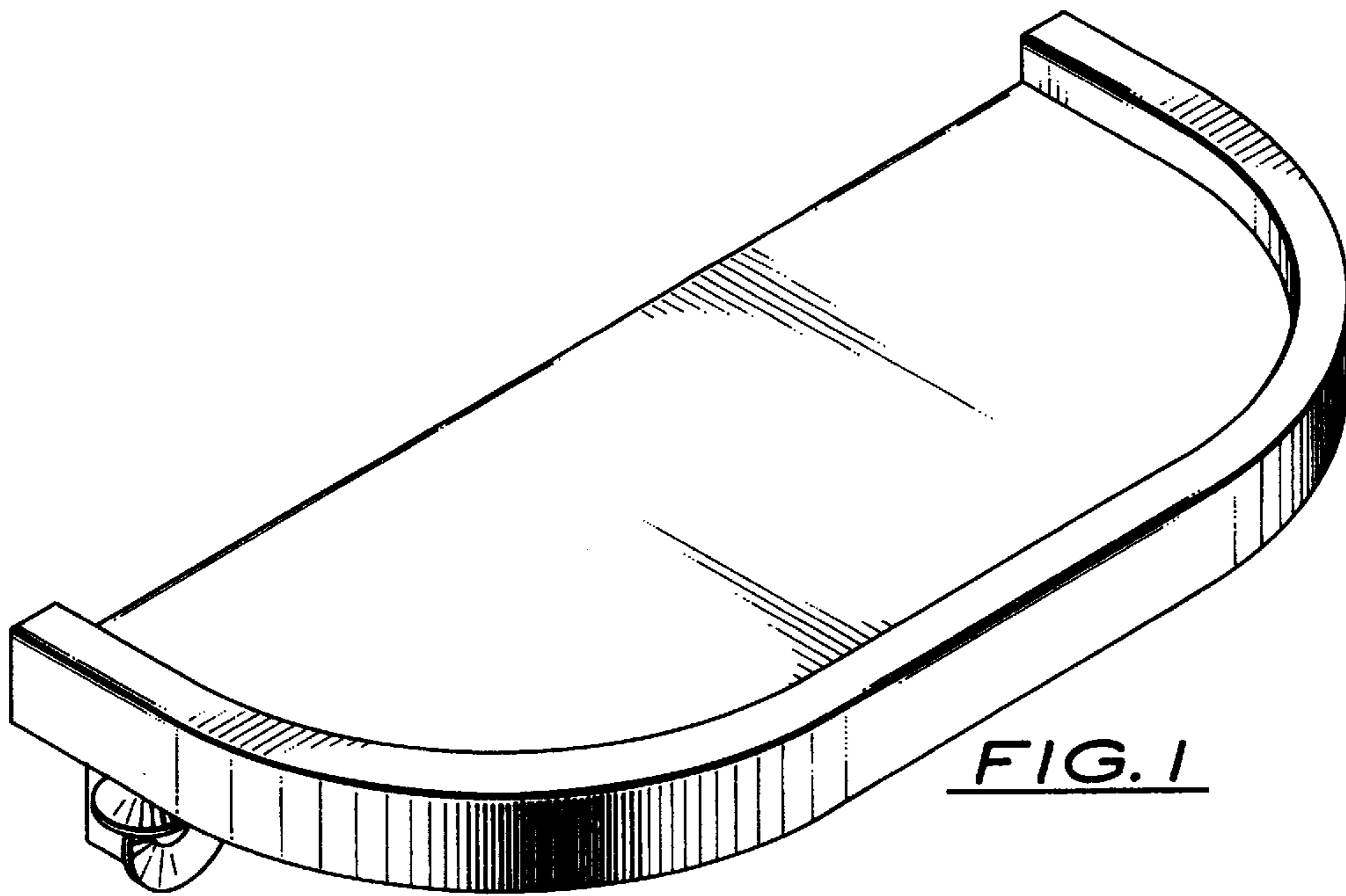
The ornamental design for a tub deck, as shown and described.

**DESCRIPTION**

FIG. 1 is a perspective view of the tub deck.  
FIG. 2 is a top plan view of the invention.  
FIG. 3 is a bottom plan view of the invention.  
FIG. 4 is a rear plan view of the invention.  
FIG. 5 is a front plan view of the invention.  
FIG. 6 is a left side view of the invention; and,  
FIG. 7 is a right side view of the invention.

**1 Claim, 2 Drawing Sheets**





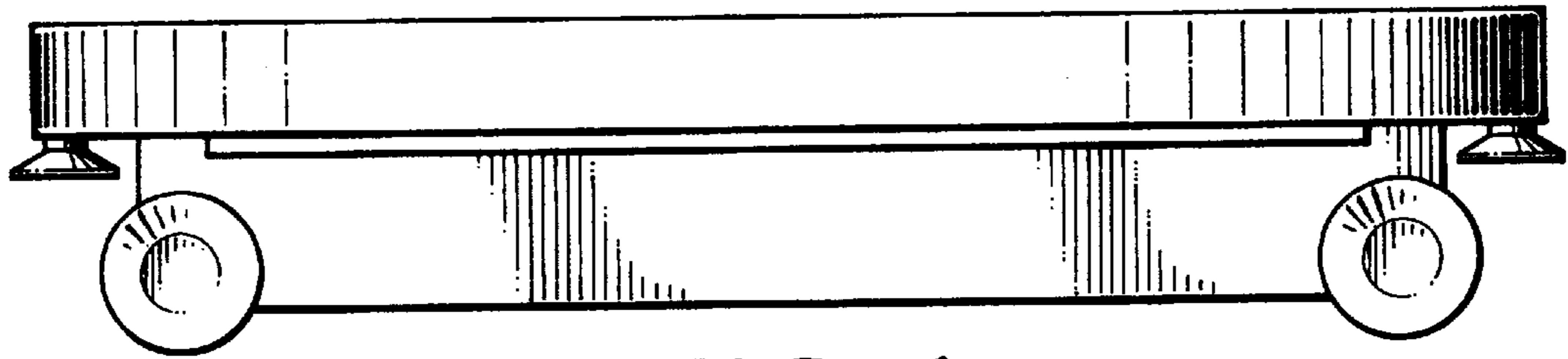


FIG. 4

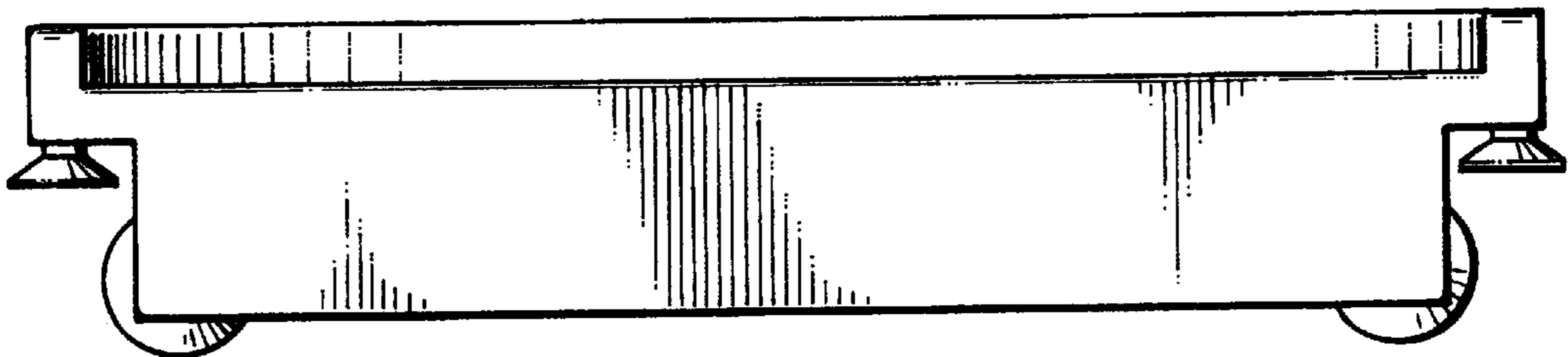


FIG. 5

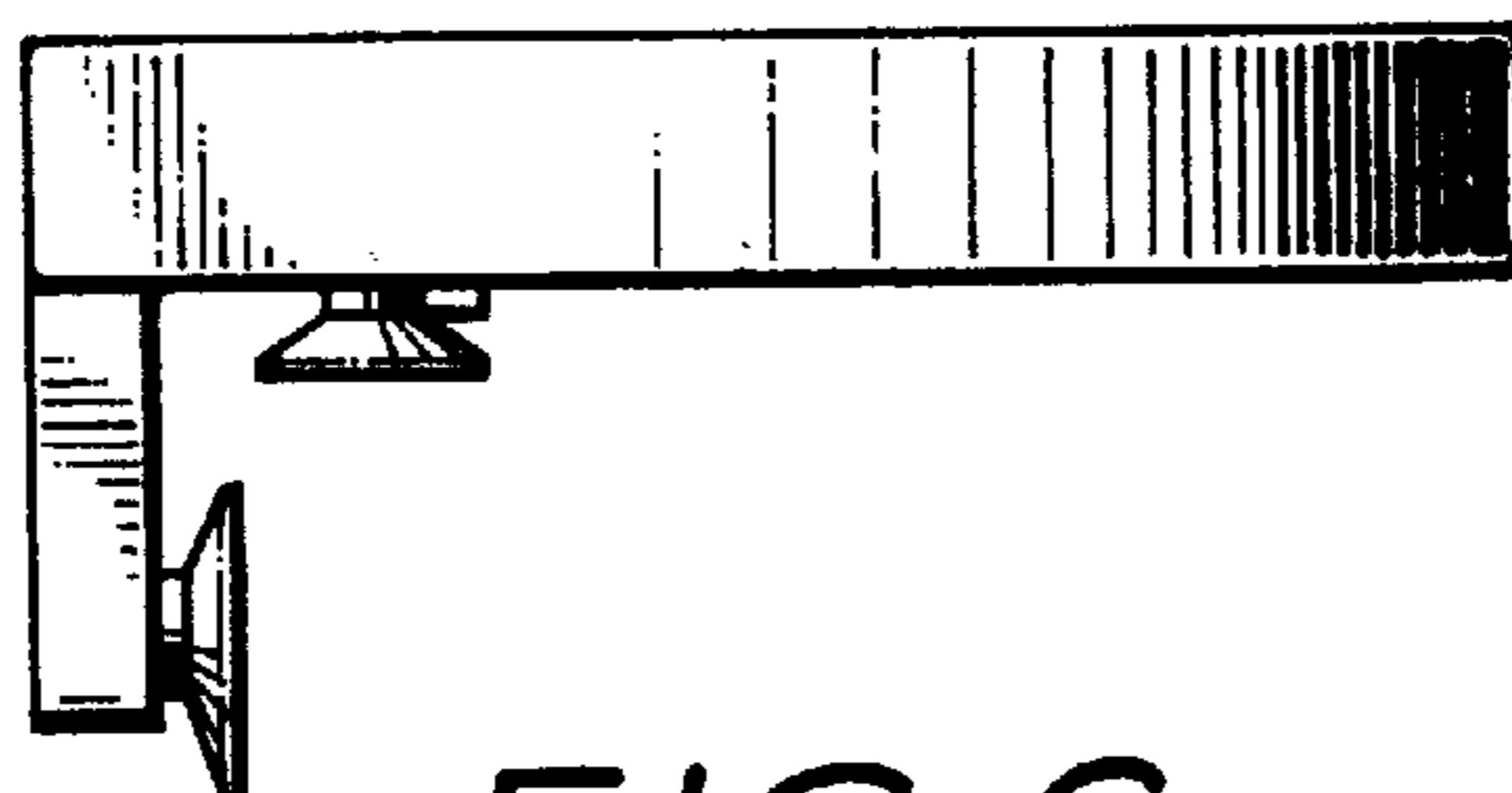


FIG. 6

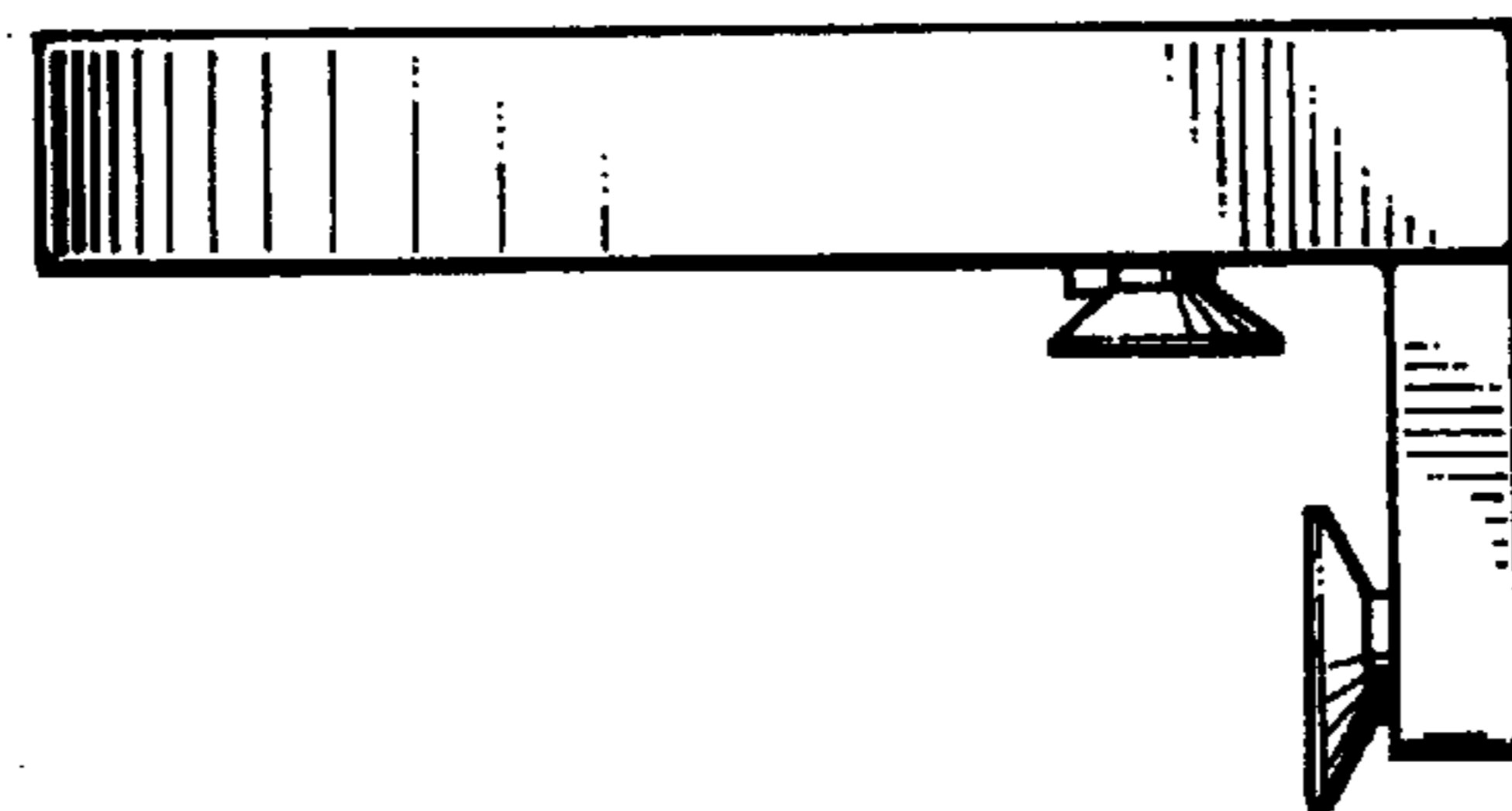


FIG. 7