



US00D442809S

(12) **United States Design Patent**  
**de Windt, Jr. et al.**

(10) **Patent No.:** **US D442,809 S**

(45) **Date of Patent:** **\*\* May 29, 2001**

(54) **UNDER-SEAT STORAGE COMPARTMENT**

(75) Inventors: **E. Mandell de Windt, Jr.**, 660 Chagrin River Rd., Gates Mills, OH (US) 44040; **James Hampshire**, Solon; **Donald M. Embree**, North Canton, both of OH (US)

(73) Assignee: **E. Mandell de Windt, Jr.**, Gates Mills, OH (US)

(\*\*) Term: **14 Years**

(21) Appl. No.: **29/125,083**

(22) Filed: **Jun. 16, 2000**

(51) **LOC (7) Cl.** ..... **06-06**

(52) **U.S. Cl.** ..... **D6/500**

(58) **Field of Search** ..... D6/334, 335, 336, D6/368, 500, 501, 502; 297/188.01, 188.02, 188.06, 188.07, 188.08, 188.1, 188.12; 190/109

(56) **References Cited**

**U.S. PATENT DOCUMENTS**

- D. 400,742 \* 11/1998 Jackson ..... D6/500
- 628,605 \* 7/1899 Ottenheimer ..... 297/188.02
- 1,829,486 \* 10/1931 Kimbrig et al. .... 297/188.02
- 4,799,731 1/1989 Brown .
- 5,490,712 2/1996 Drelick .

- 5,573,288 \* 11/1996 Raffensperger ..... 297/188.12
- 5,820,210 10/1998 Shipman et al. .
- 5,887,942 3/1999 Allegro, Jr. .
- 5,927,800 \* 7/1999 Stallworth ..... 297/188.08
- 6,079,599 \* 6/2000 Nordstrom et al. .... 297/188.12
- 6,082,816 \* 7/2000 Gottlieb et al. .... 297/188.1

\* cited by examiner

*Primary Examiner*—Doris V. Coles

*Assistant Examiner*—Mimosa De

(74) *Attorney, Agent, or Firm*—Pearne & Gordon LLP

(57) **CLAIM**

The ornamental design for an under-seat storage compartment, as shown and described.

**DESCRIPTION**

FIG. 1 is a perspective view of a under-seat storage compartment attached to a folding stadium-type seat shown in phantom is for illustrative purposes only and forms no part of the claimed design.

FIG. 2 is another perspective view thereof.

FIG. 3 is bottom view thereof.

FIG. 4 is front view thereof.

FIG. 5 is right side view thereof, a left side being identical thereto.

FIG. 6 is a top view thereof; and,

FIG. 7 is a rear view thereof.

**1 Claim, 4 Drawing Sheets**

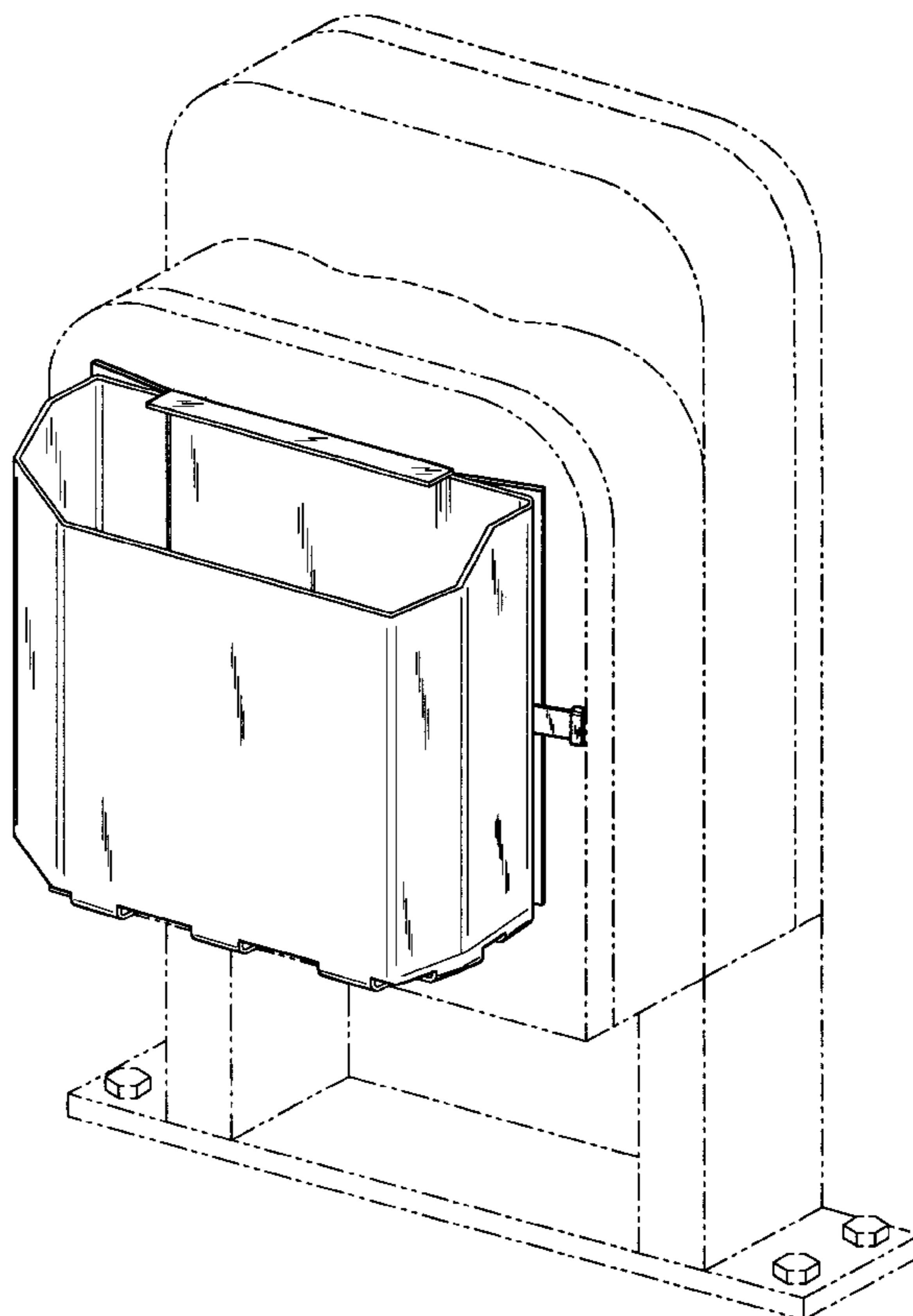


FIG. 1

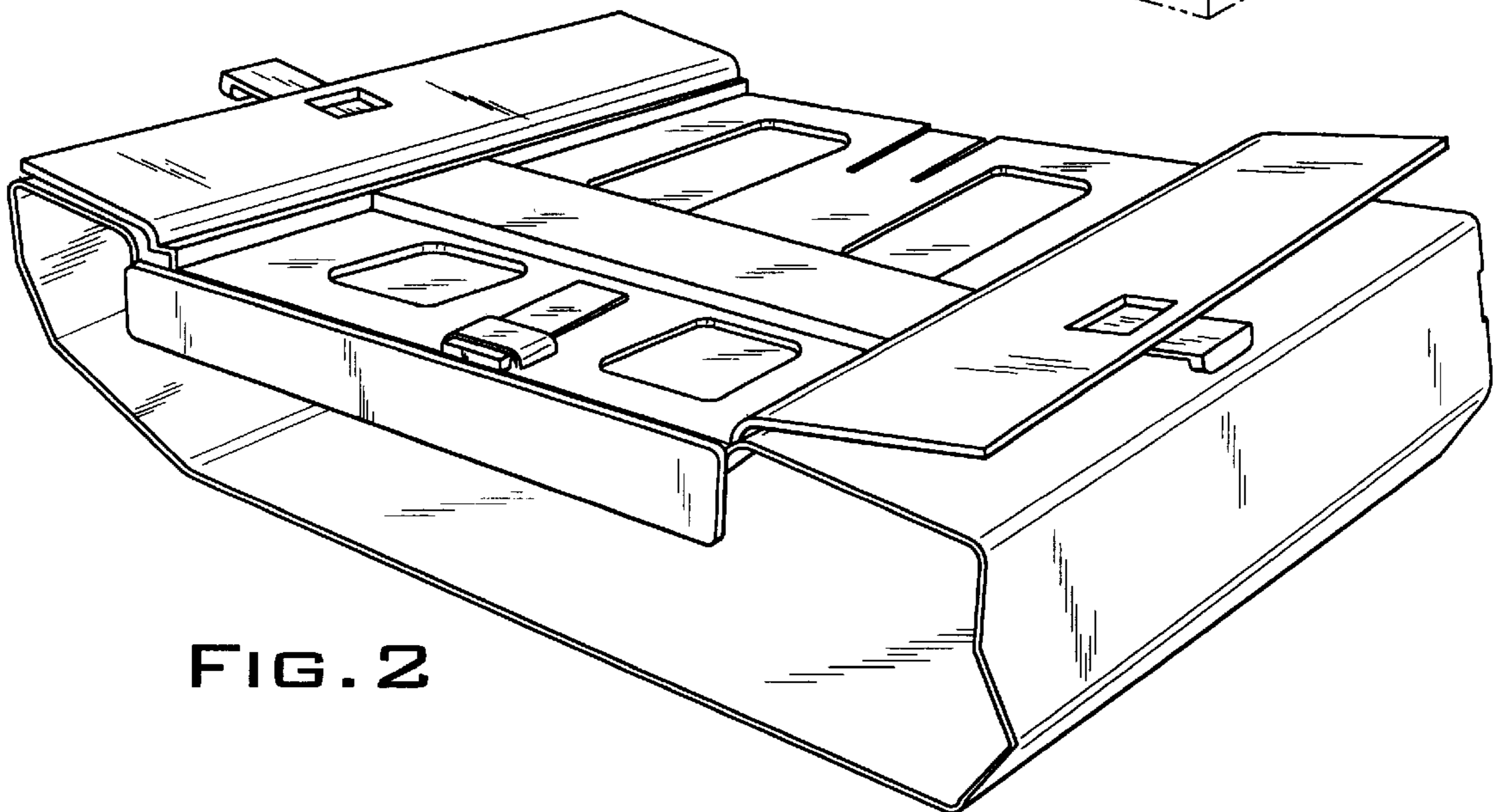
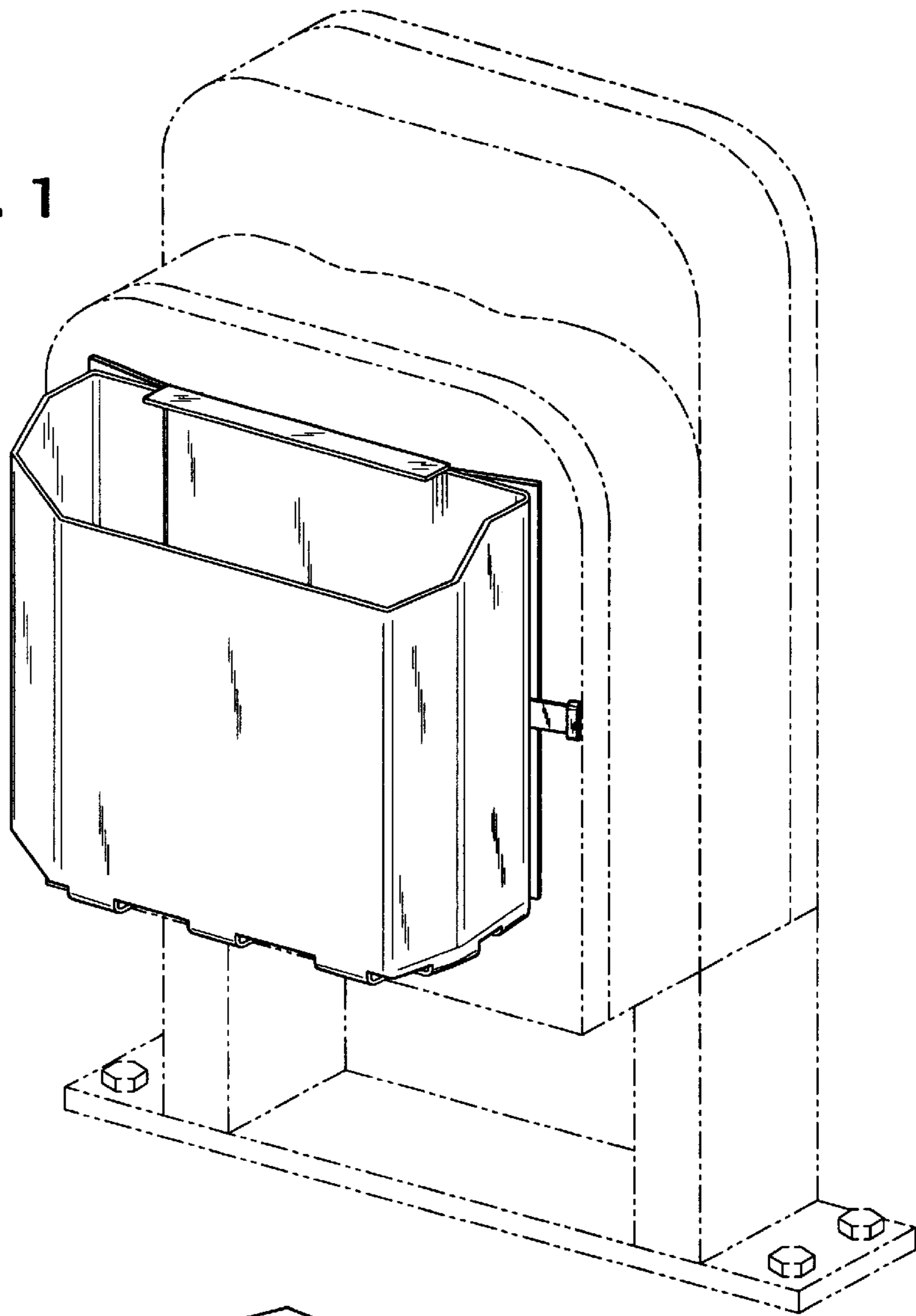


FIG. 2

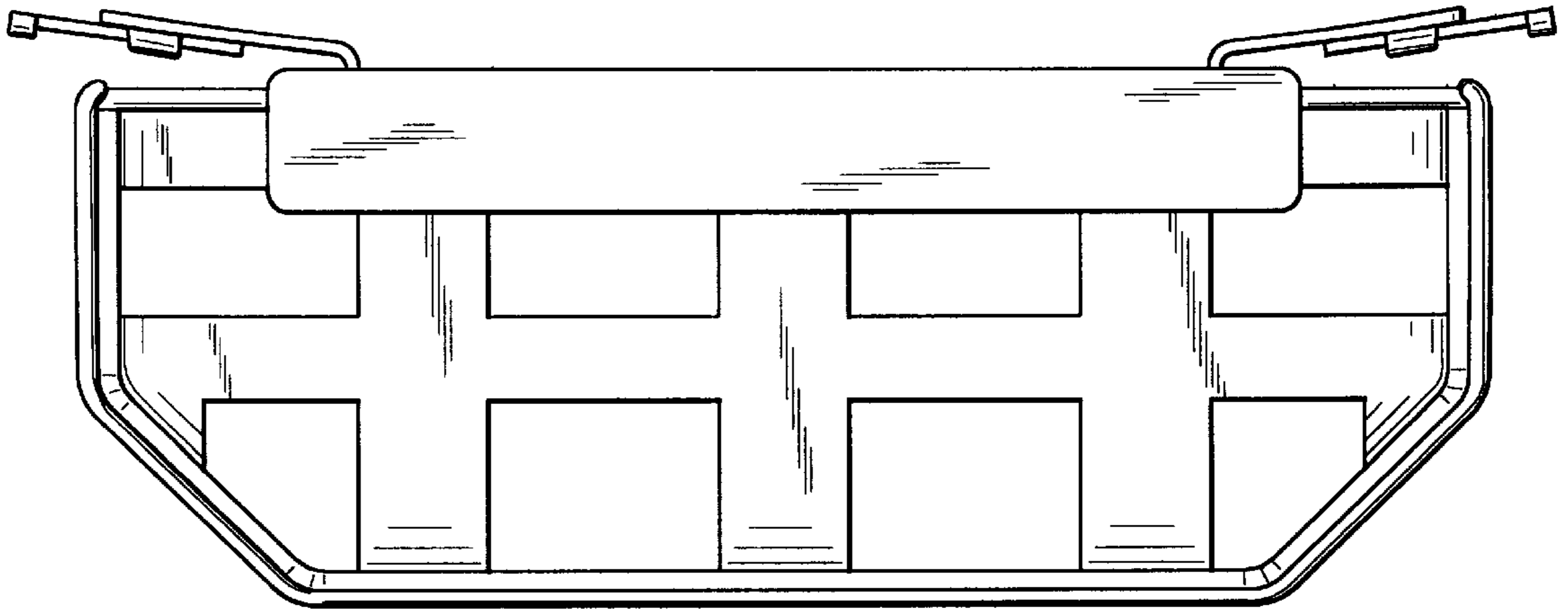


FIG. 4

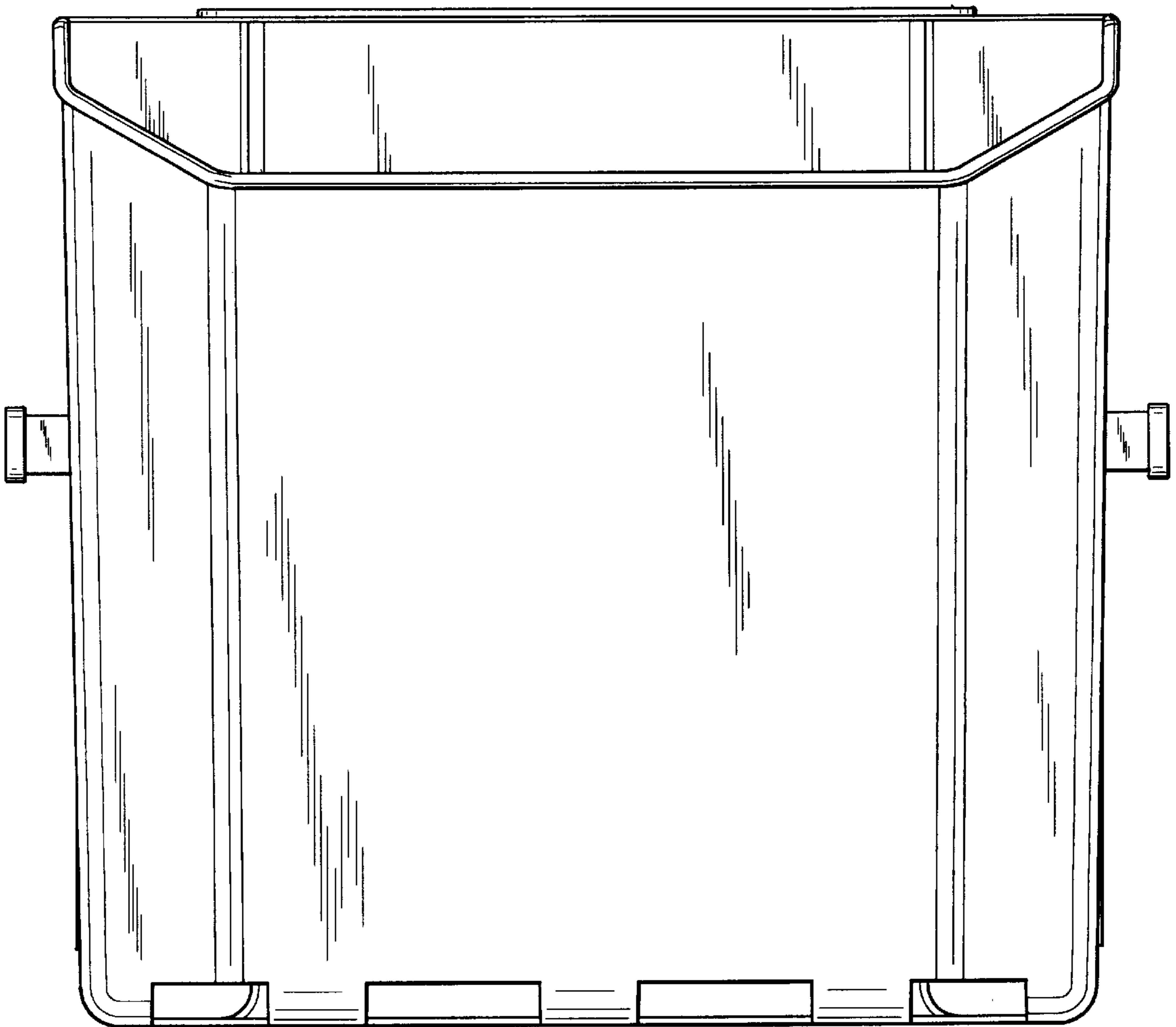


FIG. 3

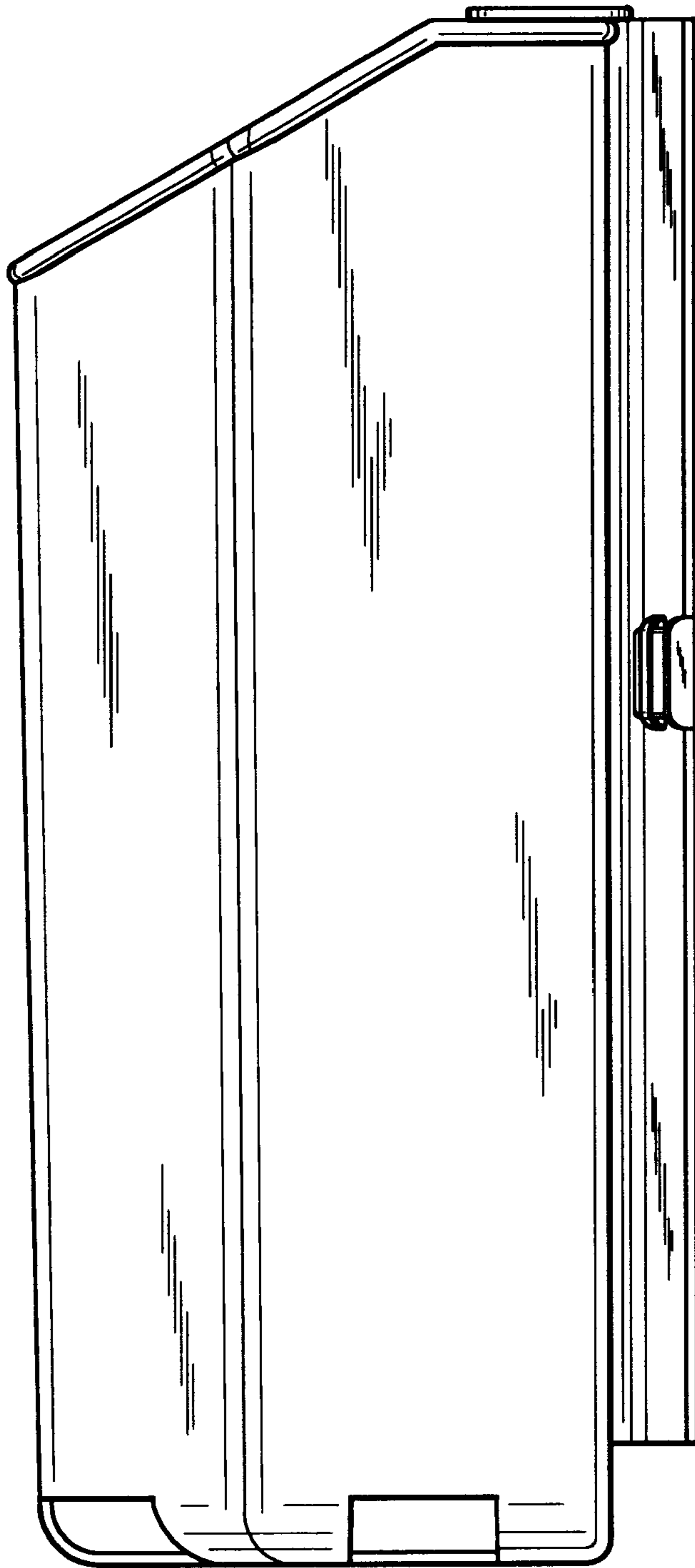


FIG. 5

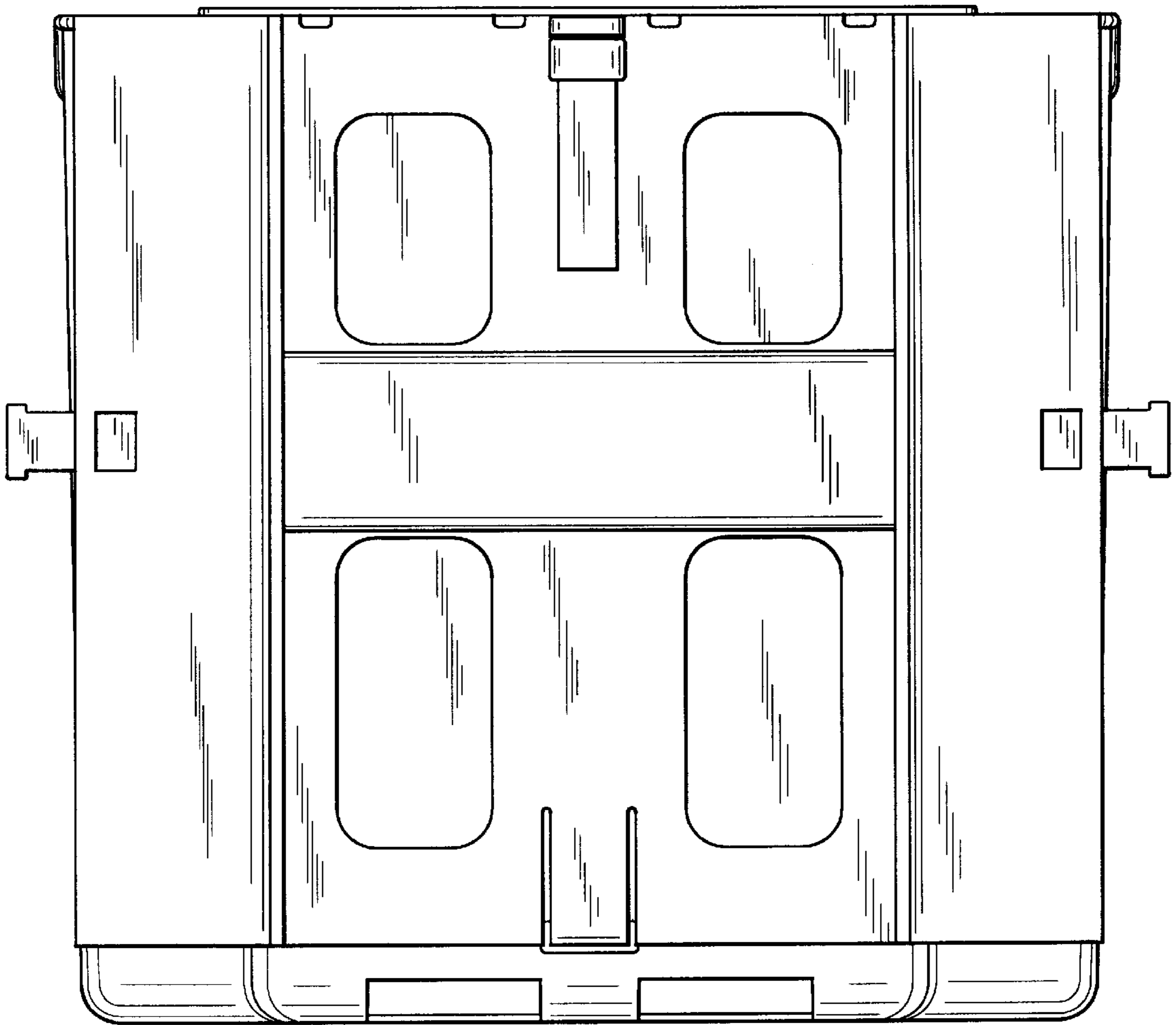


FIG. 6

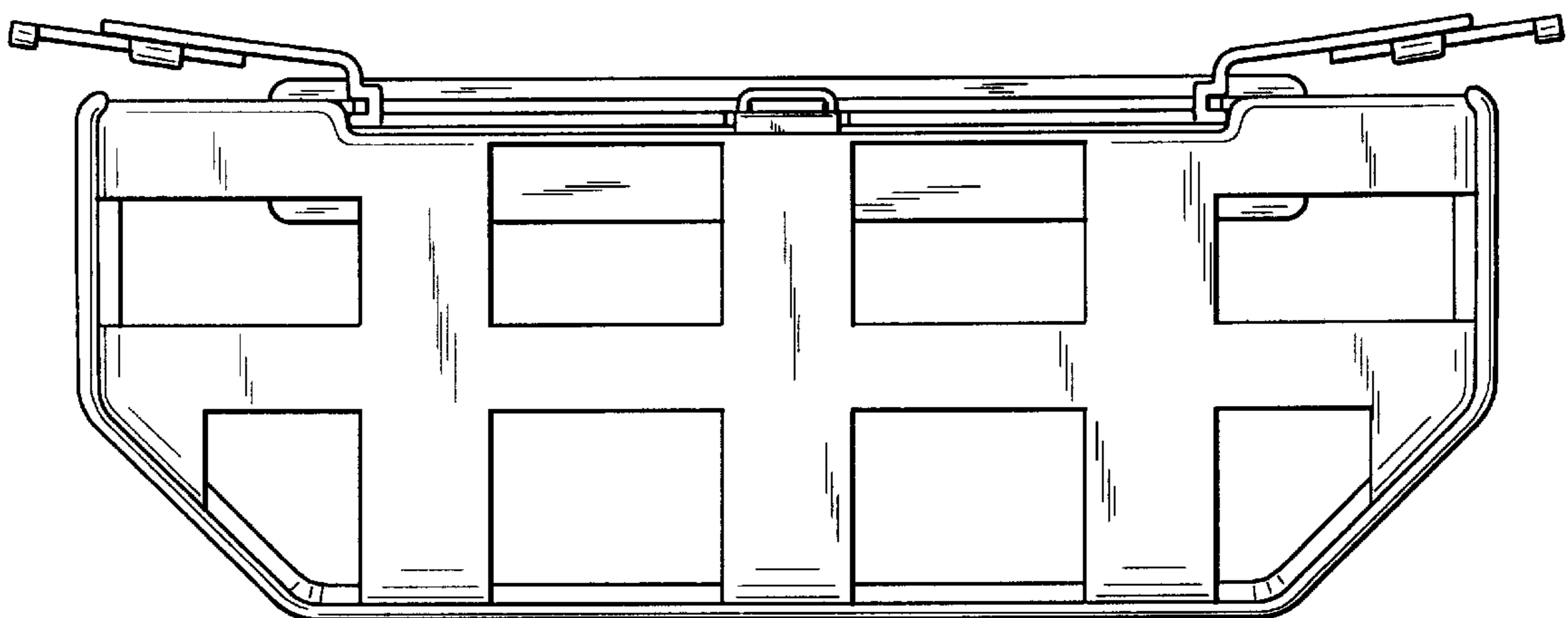


FIG. 7