



US00D442807S

(12) **United States Design Patent** (10) **Patent No.:** **US D442,807 S**
Mathieu et al. (45) **Date of Patent:** **** May 29, 2001**

(54) **TABLE BASE**

(75) Inventors: **Paul Mathieu**, Aix-en-Provence (FR);
Sherri Donghia; **Thomas Fuchs**, both
of New York, NY (US); **Masaru**
Suzuki, Brooklyn, NY (US); **Jennifer**
Hutton, West Islip, NY (US)

(73) Assignee: **Donghia Furniture/Textiles Ltd.**, New
York, NY (US)

(**) Term: **14 Years**

(21) Appl. No.: **29/120,179**

(22) Filed: **Mar. 15, 2000**

(51) **LOC (7) Cl.** **06-06**

(52) **U.S. Cl.** **D6/495**

(58) **Field of Search** D6/480-489, 495,
D6/499; 108/153.1, 155, 156, 157.1, 161;
248/188, 188.1, 188.8, 188.7

(56) **References Cited**

U.S. PATENT DOCUMENTS

D. 278,577	*	4/1985	Gwathmey et al.	D6/484
D. 299,196	*	1/1989	Frinier	D6/499
D. 332,363	*	1/1993	Hollein	D6/484
D. 362,770	*	10/1995	Green	D6/480

* cited by examiner

Primary Examiner—Janice E. Seeger
(74) *Attorney, Agent, or Firm*—Heslin & Rothenbeg, P.C.

(57) **CLAIM**

The ornamental design for the table base, as shown and described.

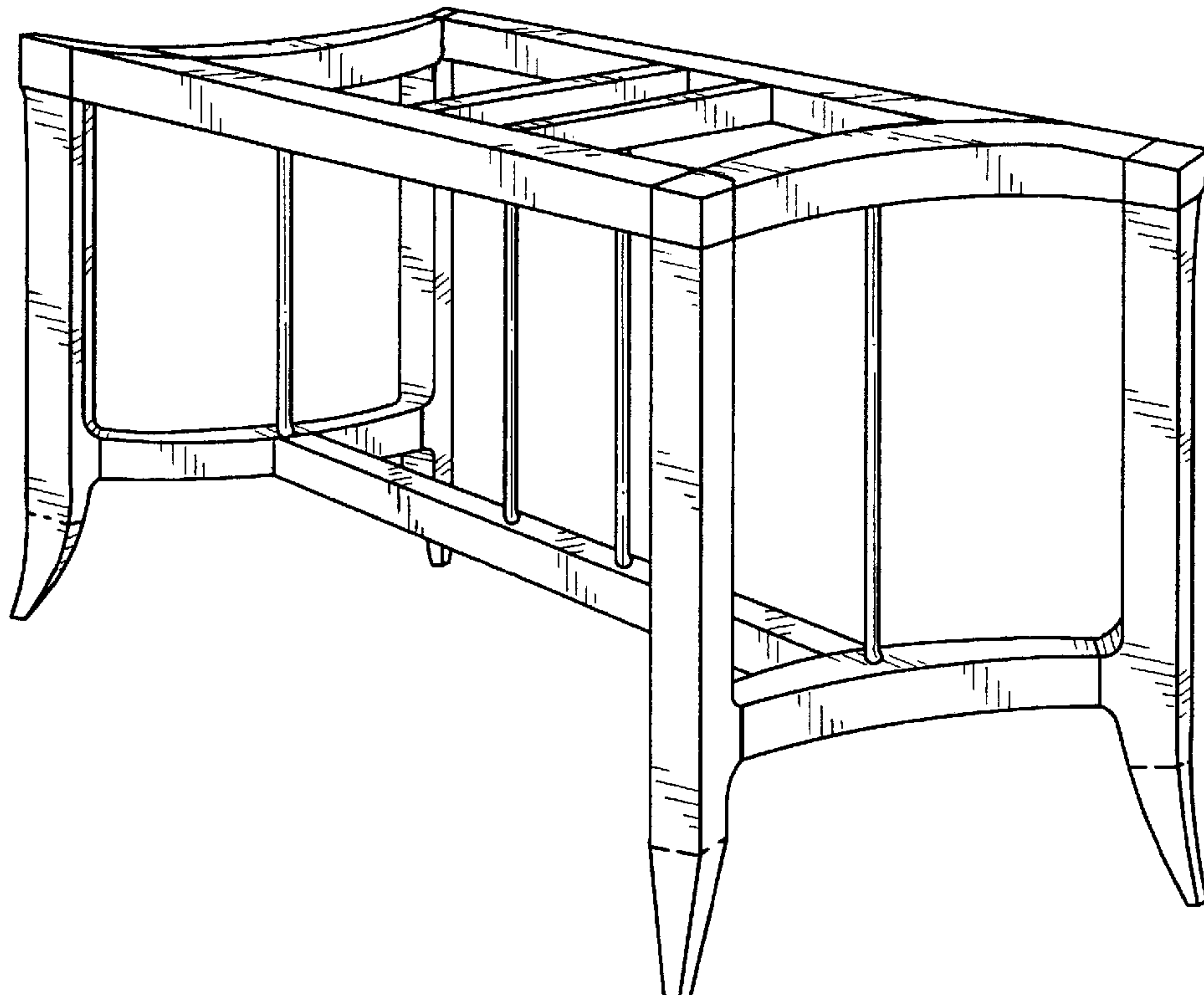
DESCRIPTION

FIG. 1 is a perspective view of the table base comprising our new design;
FIG. 2 is a top plan view thereof;
FIG. 3 is a front elevational view thereof, the rear side elevational view being a mirror image thereof;
FIG. 4 is a right side elevational view thereof, the left side elevational view being a mirror image thereof;
FIG. 5 is a perspective view thereof in use with an oval table top;
FIG. 6 is a perspective view thereof in use with a rectangular table top; and,
FIG. 7 is a front elevational view of a second embodiment of a table base, a portion of which is cut away to illustrate indeterminate length which is the sole difference between it and FIGS. 1-6.

The broken lines are for environmental purposes only and form no part of the claimed design.

The bottom forms no part of the claimed design.

1 Claim, 4 Drawing Sheets



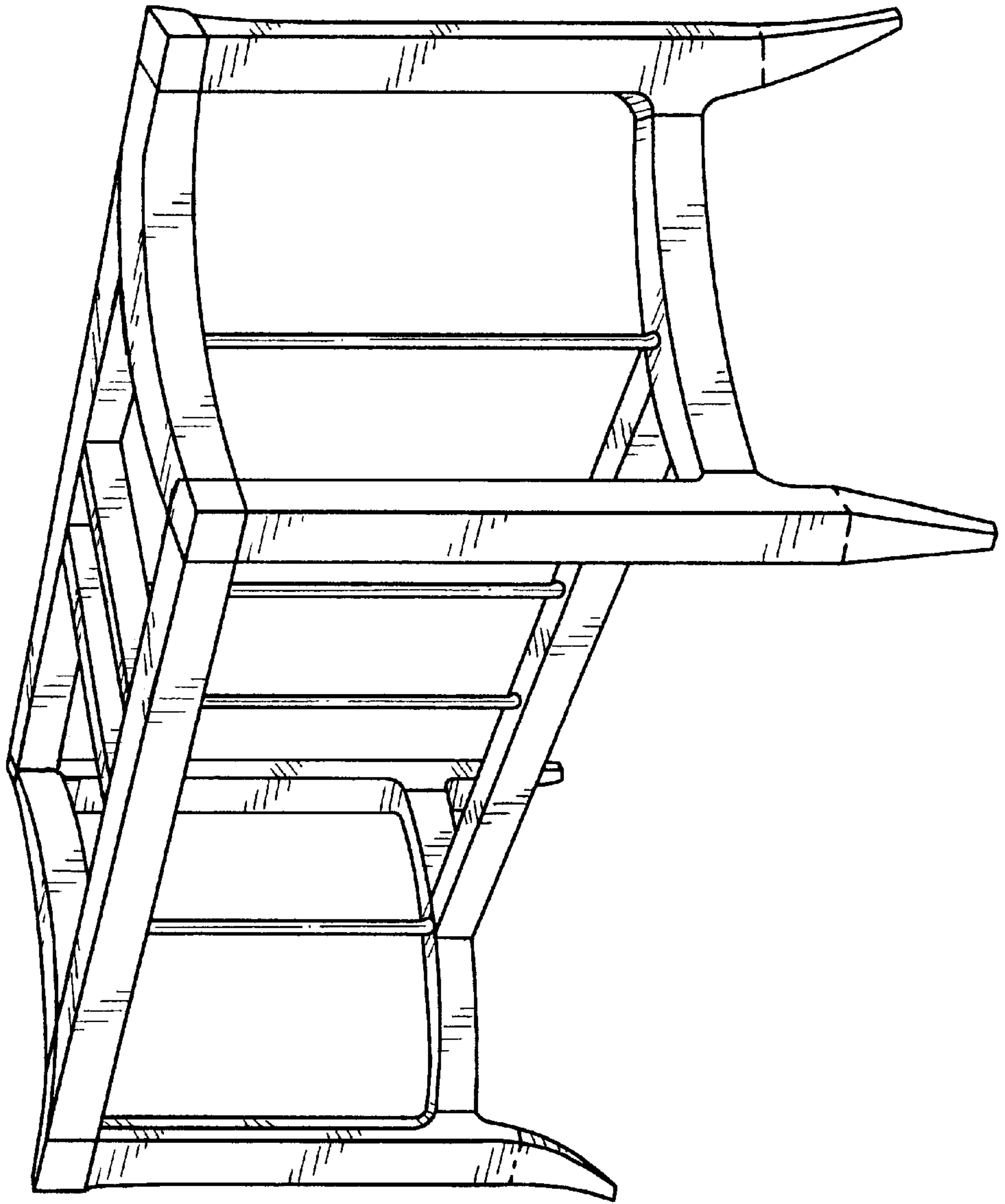


FIG. 1

FIG. 2

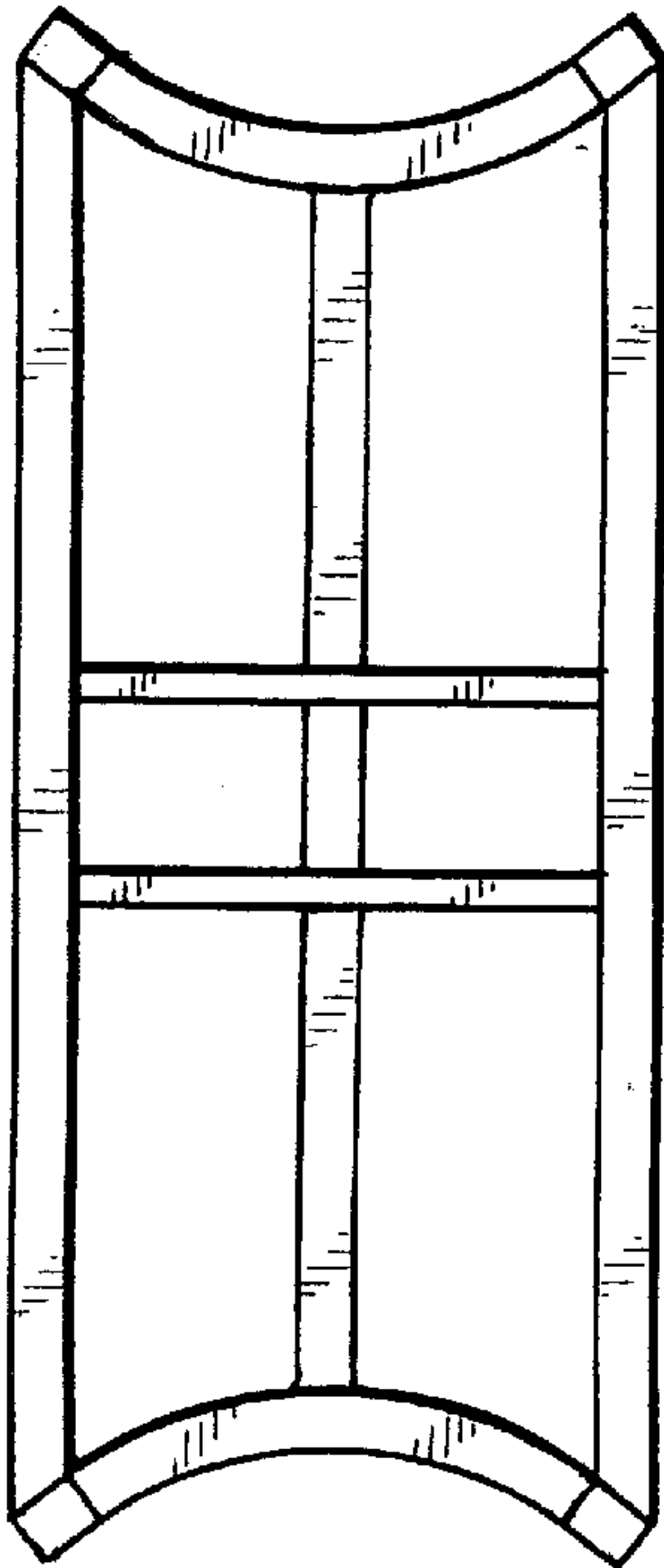


FIG. 3

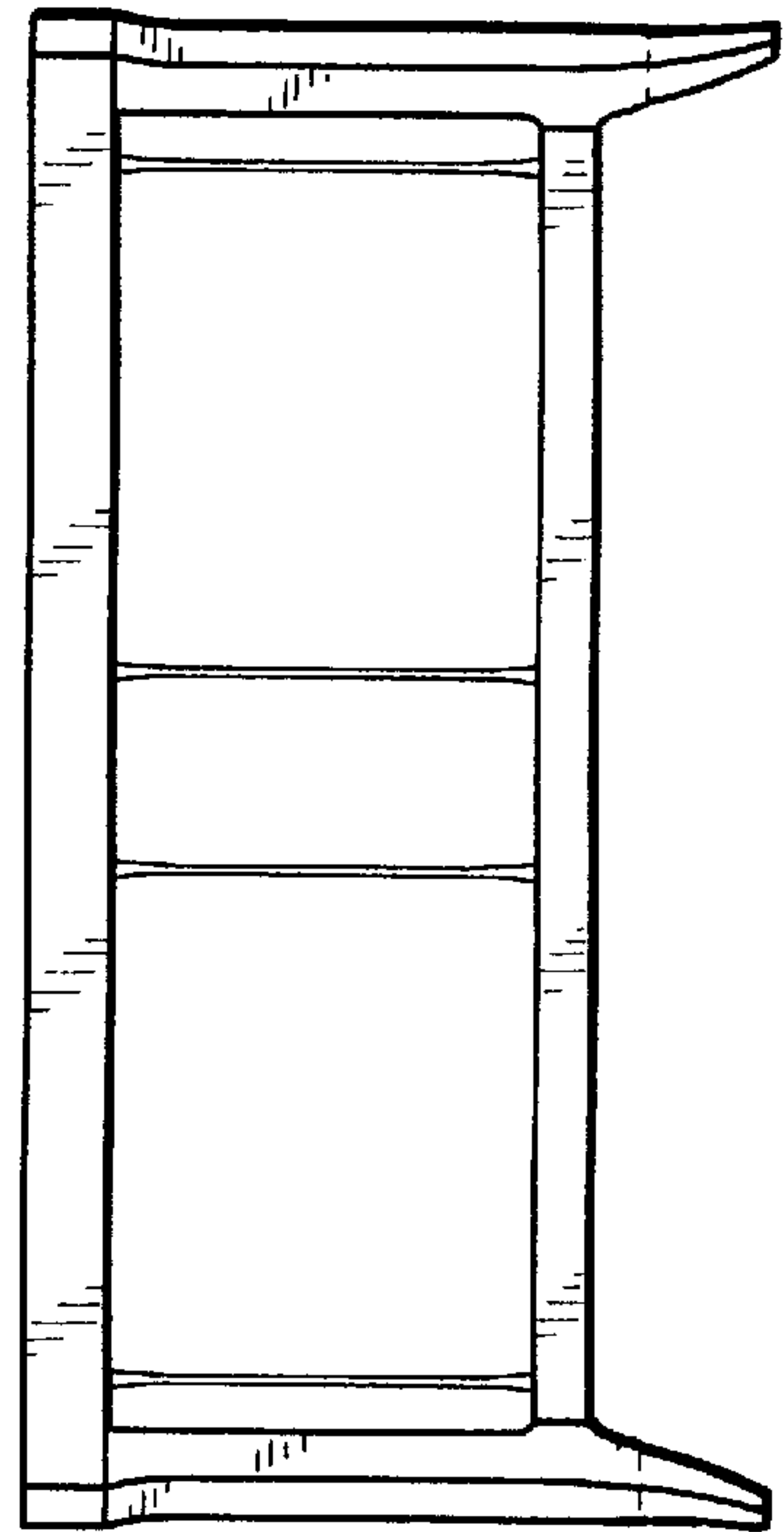


FIG. 4

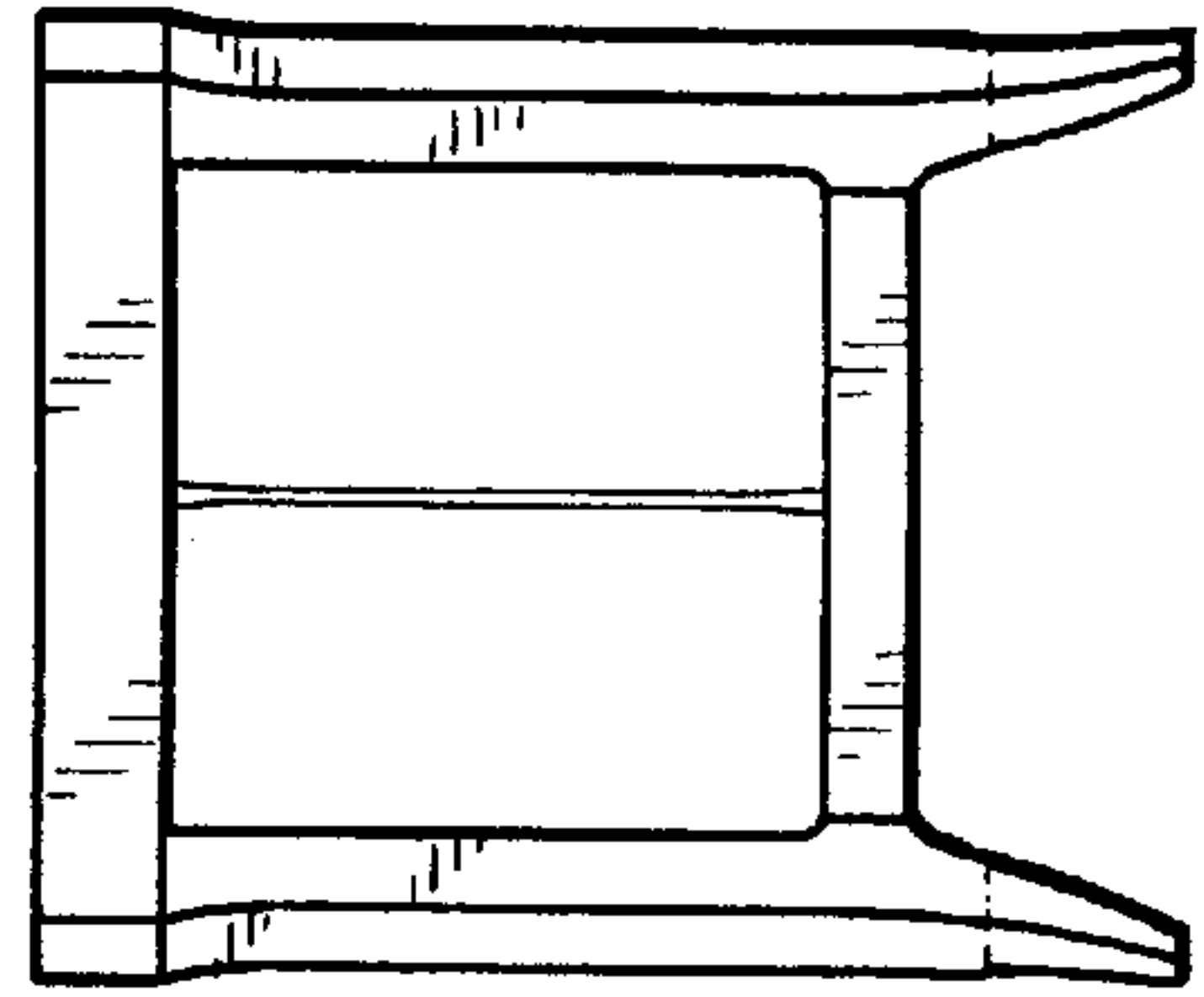


FIG. 5

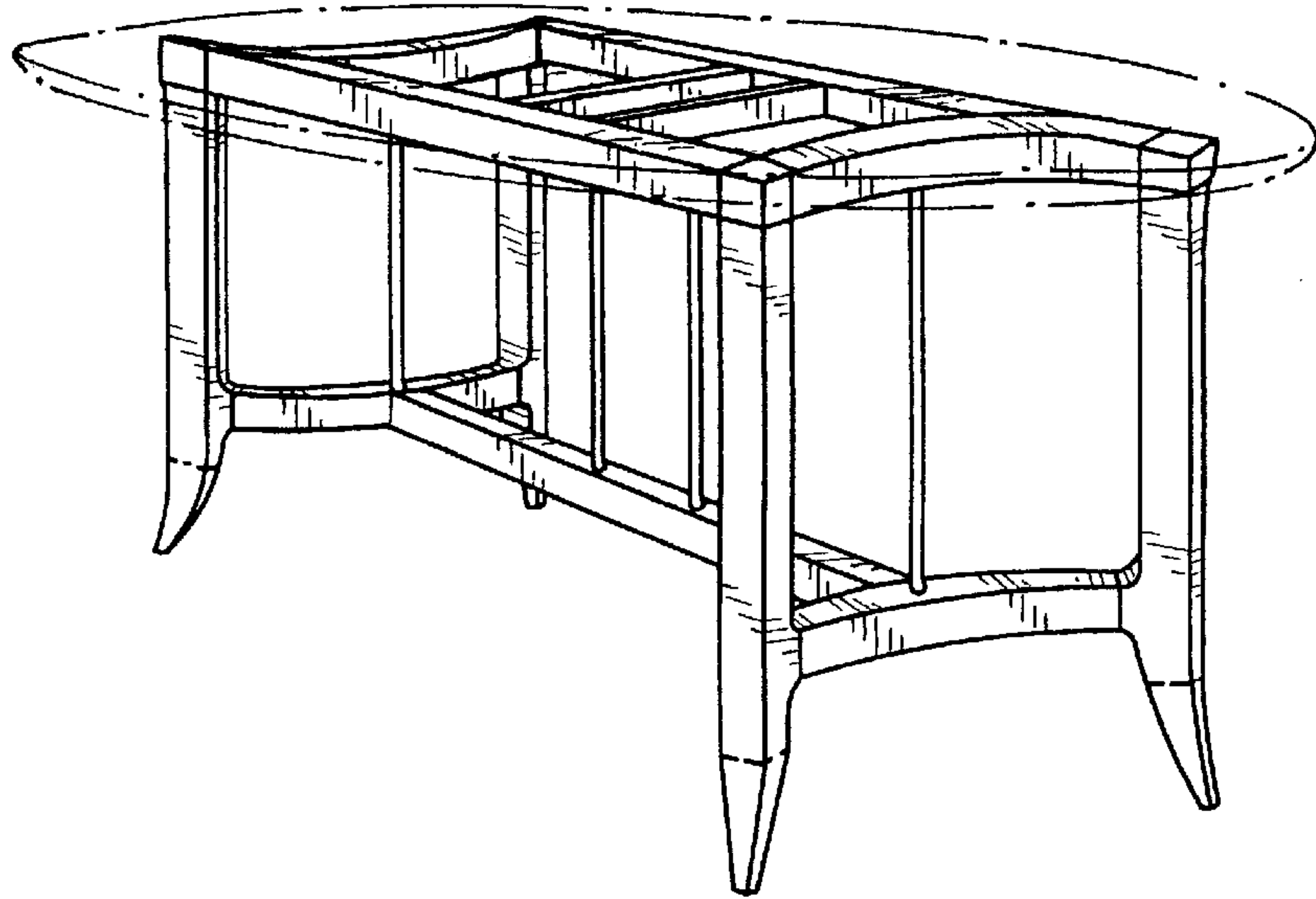


FIG. 6

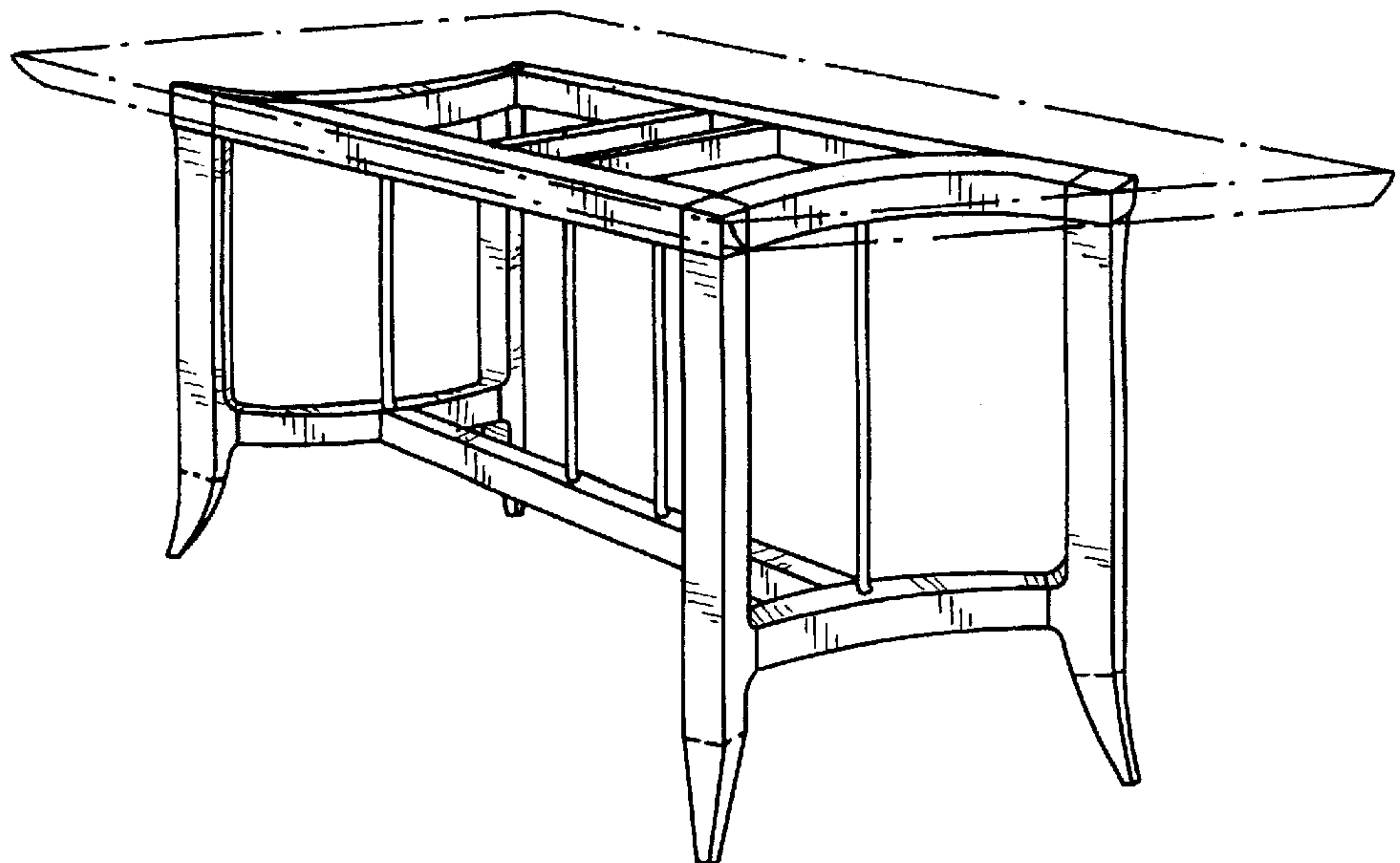


FIG. 7

