



US00D442805S

(12) **United States Design Patent**
McDiarmid

(10) **Patent No.:** **US D442,805 S**

(45) **Date of Patent:** **** May 29, 2001**

(54) **PORTABLE DESK**

6,003,452 * 12/1999 Moore 108/92

(75) Inventor: **Ronald D. McDiarmid**, La Habra, CA
(US)

* cited by examiner

(73) Assignee: **Gruga U.S.A.**, City of Industry, CA
(US)

Primary Examiner—Janice E. Seeger

(74) *Attorney, Agent, or Firm*—Sheppard, Mullin, Richter
& Hampton LLP; James R. Brueggemann

(**) Term: **14 Years**

(57) **CLAIM**

The ornamental design for a portable desk, as shown and described.

(21) Appl. No.: **29/126,257**

(22) Filed: **Jul. 11, 2000**

DESCRIPTION

(51) **LOC (7) Cl.** **06-03**

(52) **U.S. Cl.** **D6/477; D6/465; D6/474;**
D6/487

(58) **Field of Search** D6/422–428, 464,
D6/465, 480–489, 495–499, 477, 474, 479;
312/194–196, 208.1; 108/59, 50.01, 50.02,
153.1, 156, 157.1, 161; 248/188, 188.1,
188.8

FIG. 1 is a left front perspective view of a first embodiment of a portable desk embodying my new design.

FIG. 2 is a rear elevational view thereof.

FIG. 3 is a front elevational view thereof.

FIG. 4 is a top plan view thereof.

FIG. 5 is a bottom plan view thereof.

FIG. 6 is a left side elevational view thereof, which is a mirror image of the right side elevational view thereof.

FIG. 7 is a left front perspective view of a second embodiment of a portable desk embodying my new design; and,

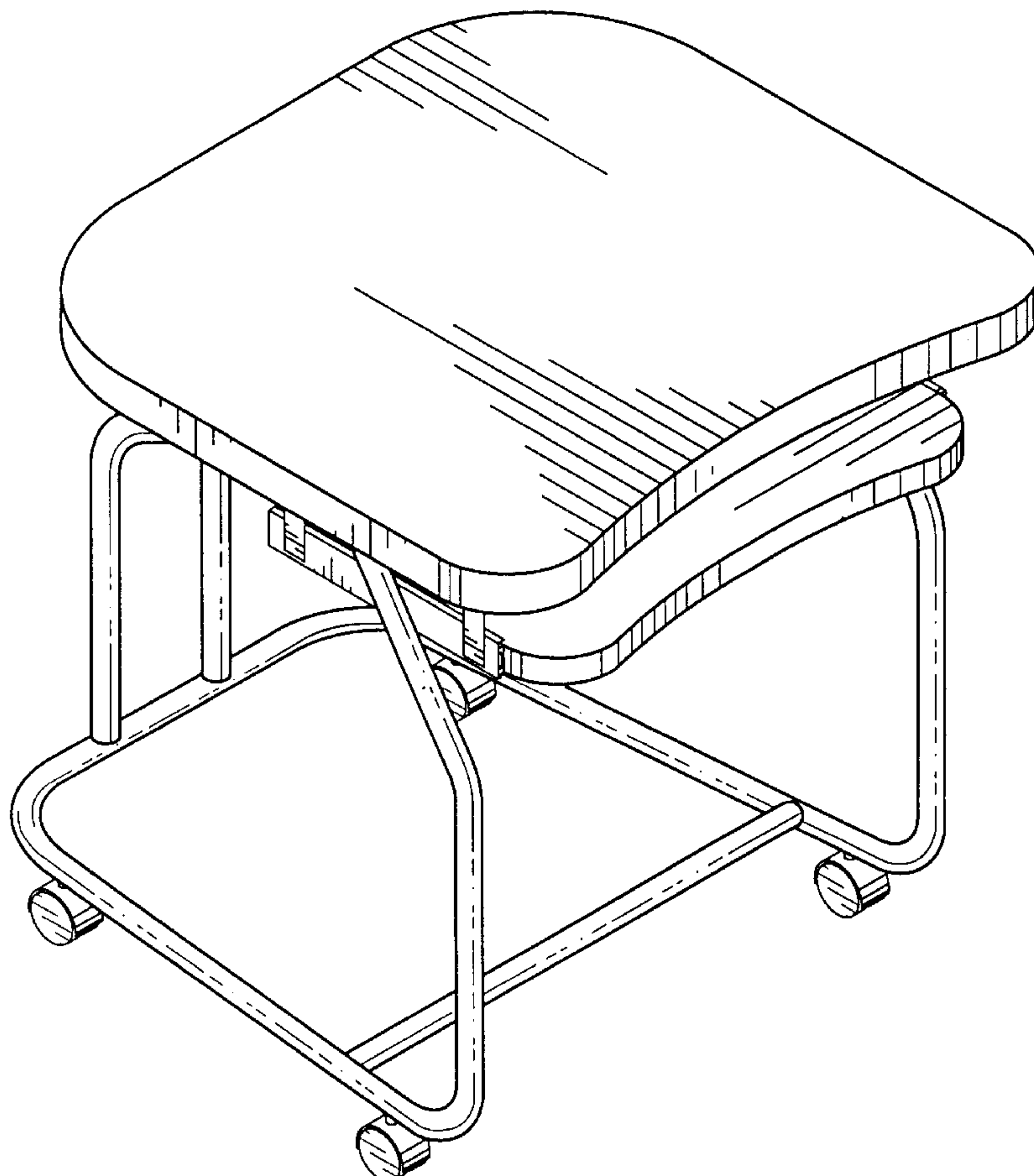
FIG. 8 is a left front perspective view of a third embodiment of a portable desk embodying my new design.

(56) **References Cited**

U.S. PATENT DOCUMENTS

- D. 396,576 * 8/1998 Moore D6/422
- D. 424,772 * 5/2000 Mullen D34/17

1 Claim, 6 Drawing Sheets



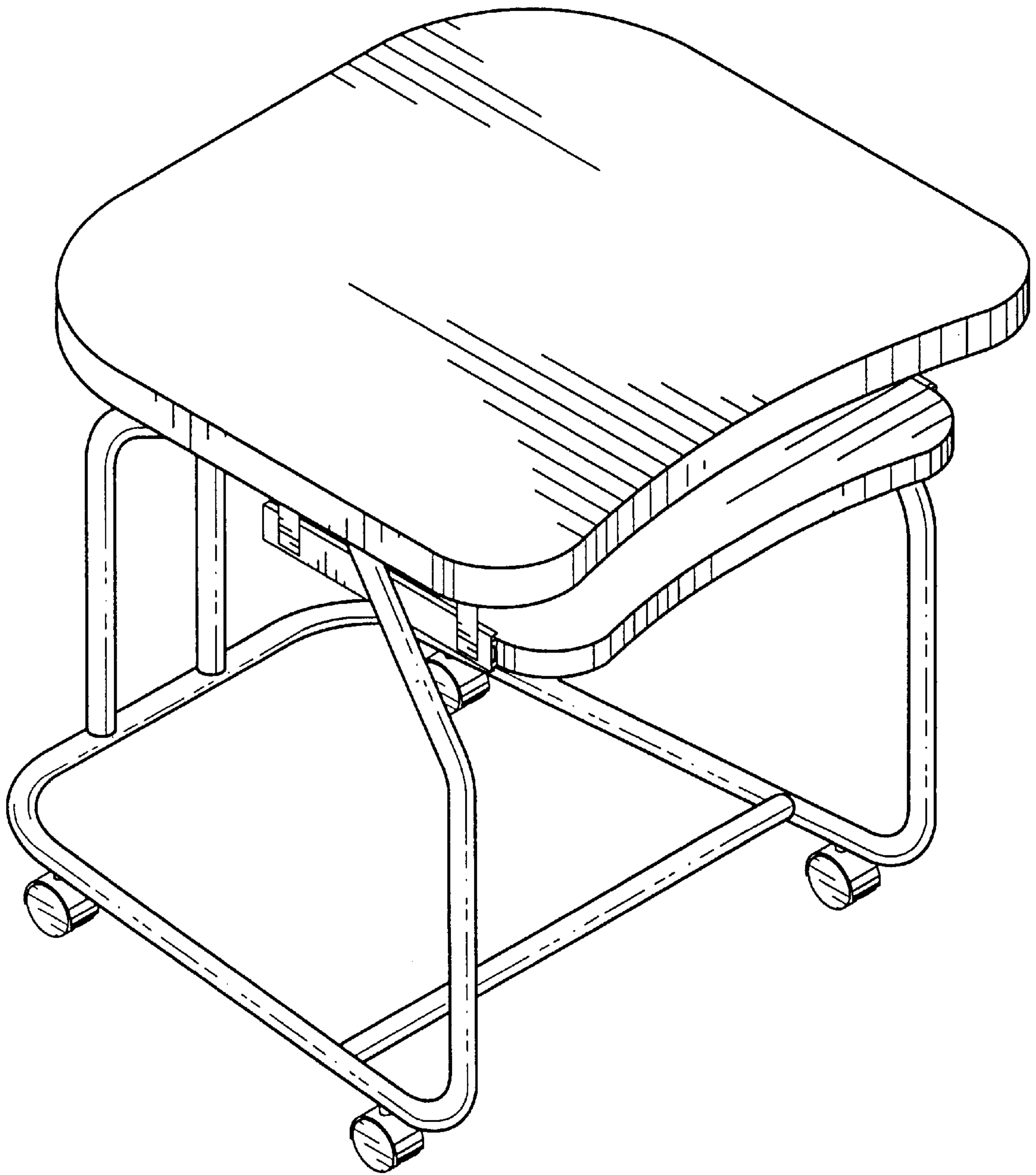


FIG. 1

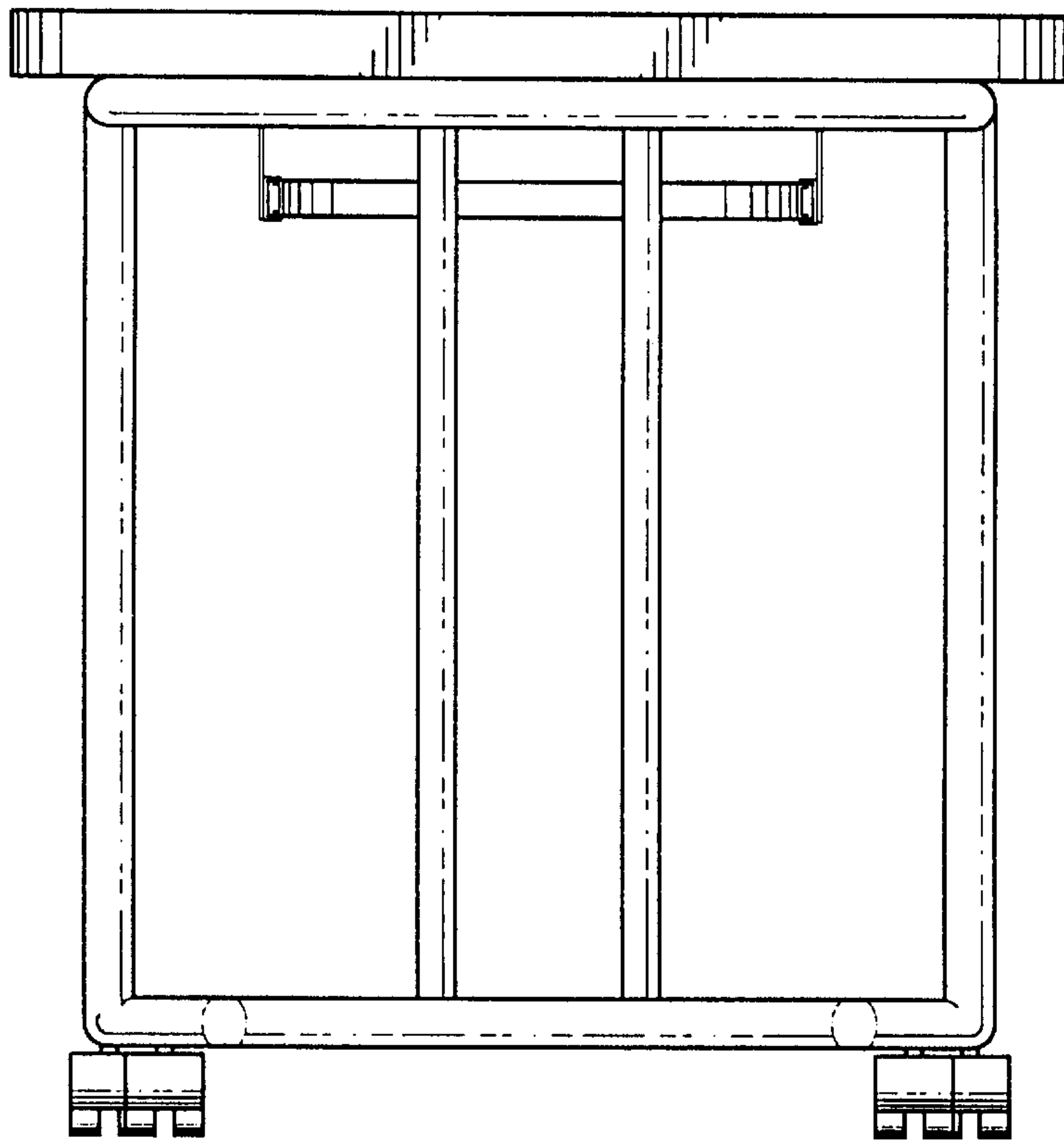


FIG. 2

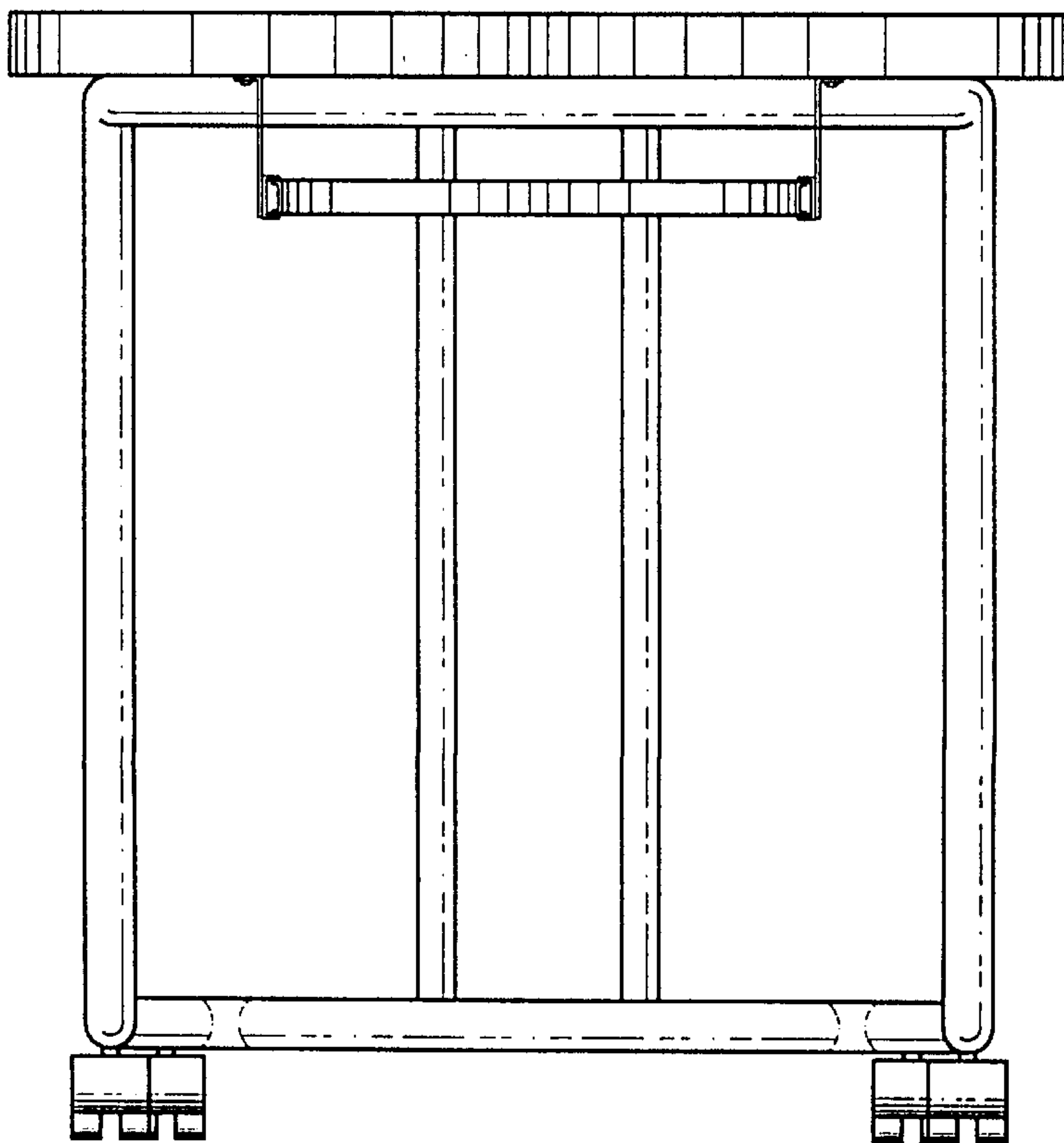


FIG. 3

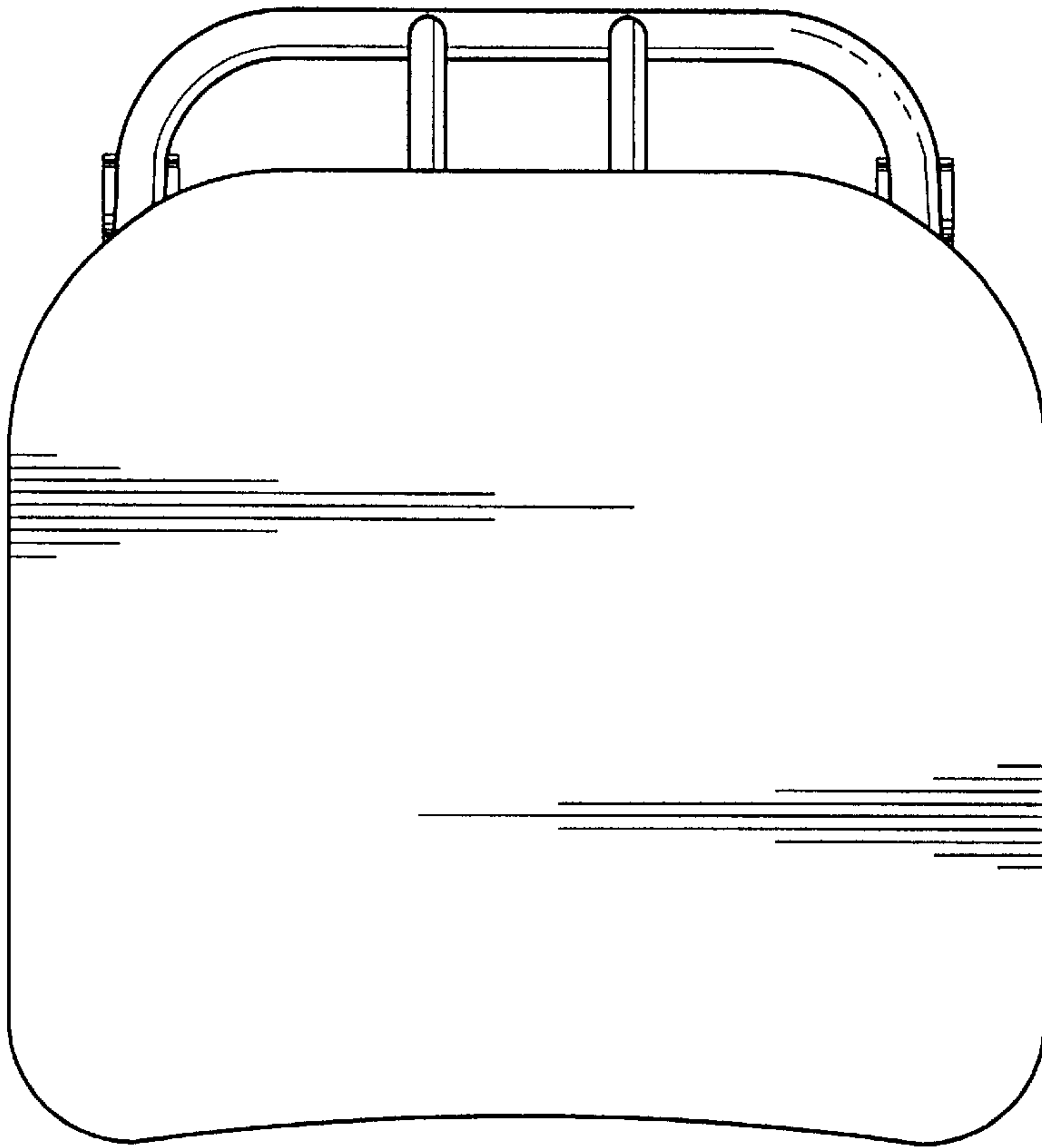


FIG. 4

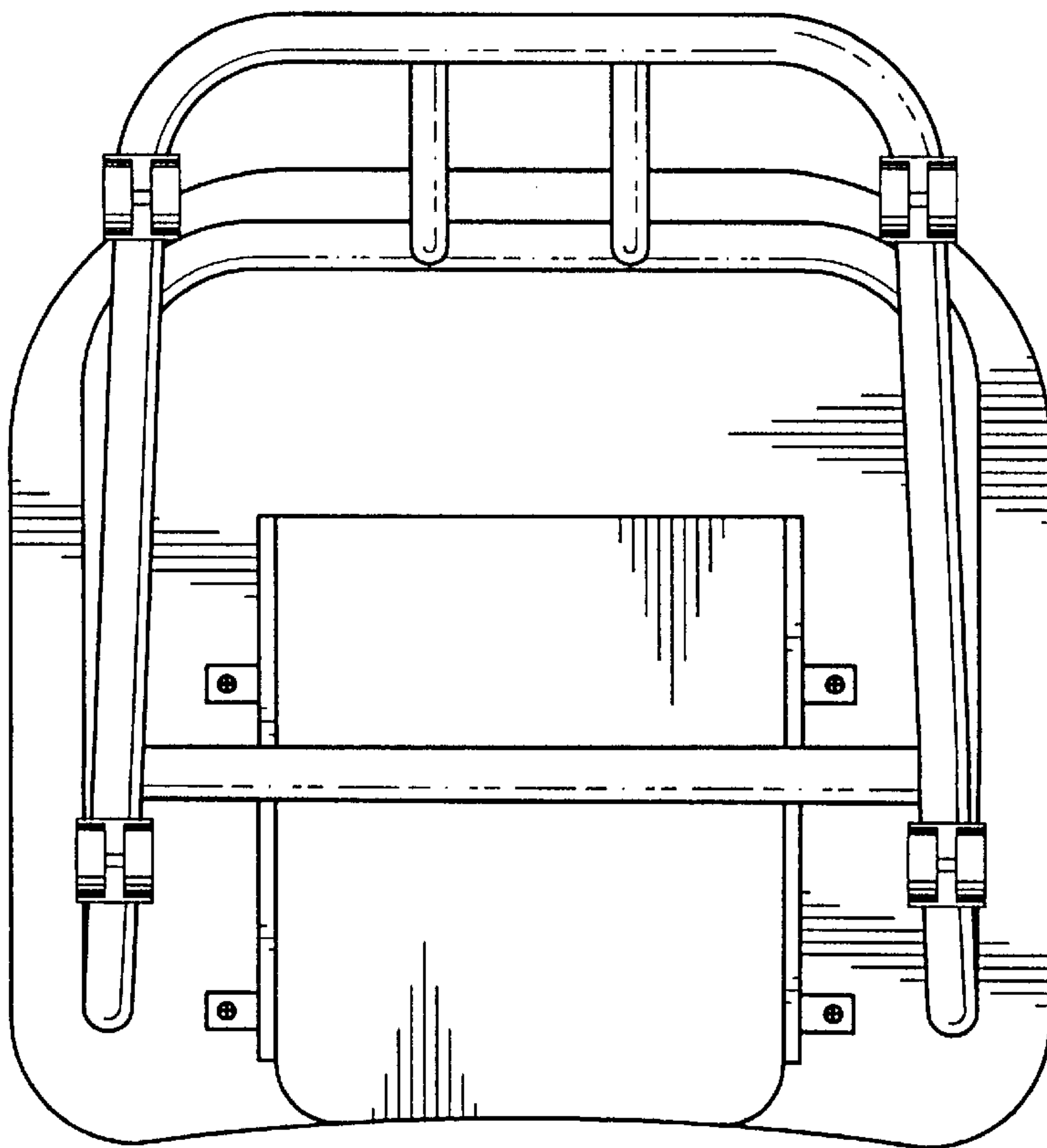


FIG. 5

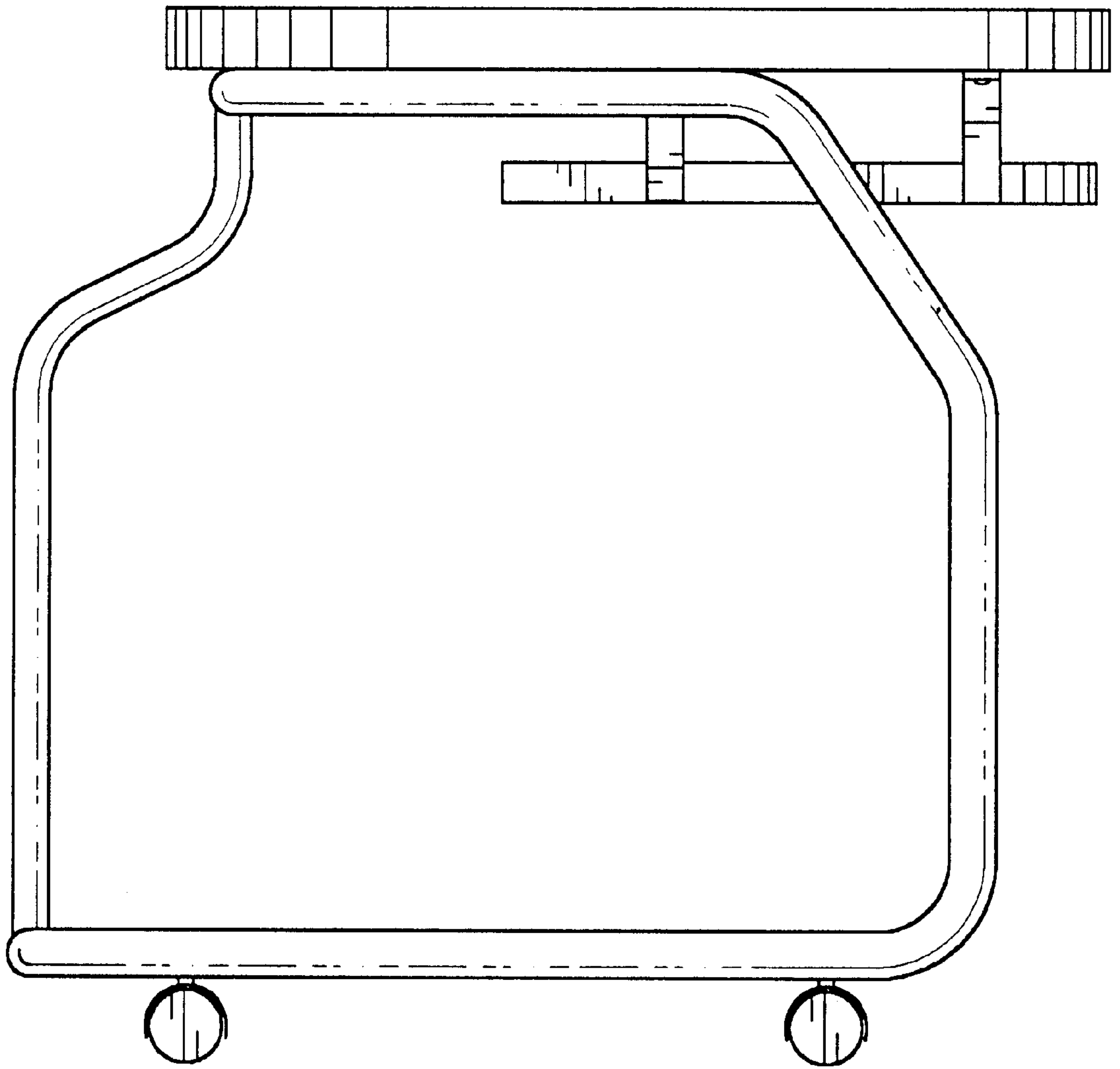


FIG. 6

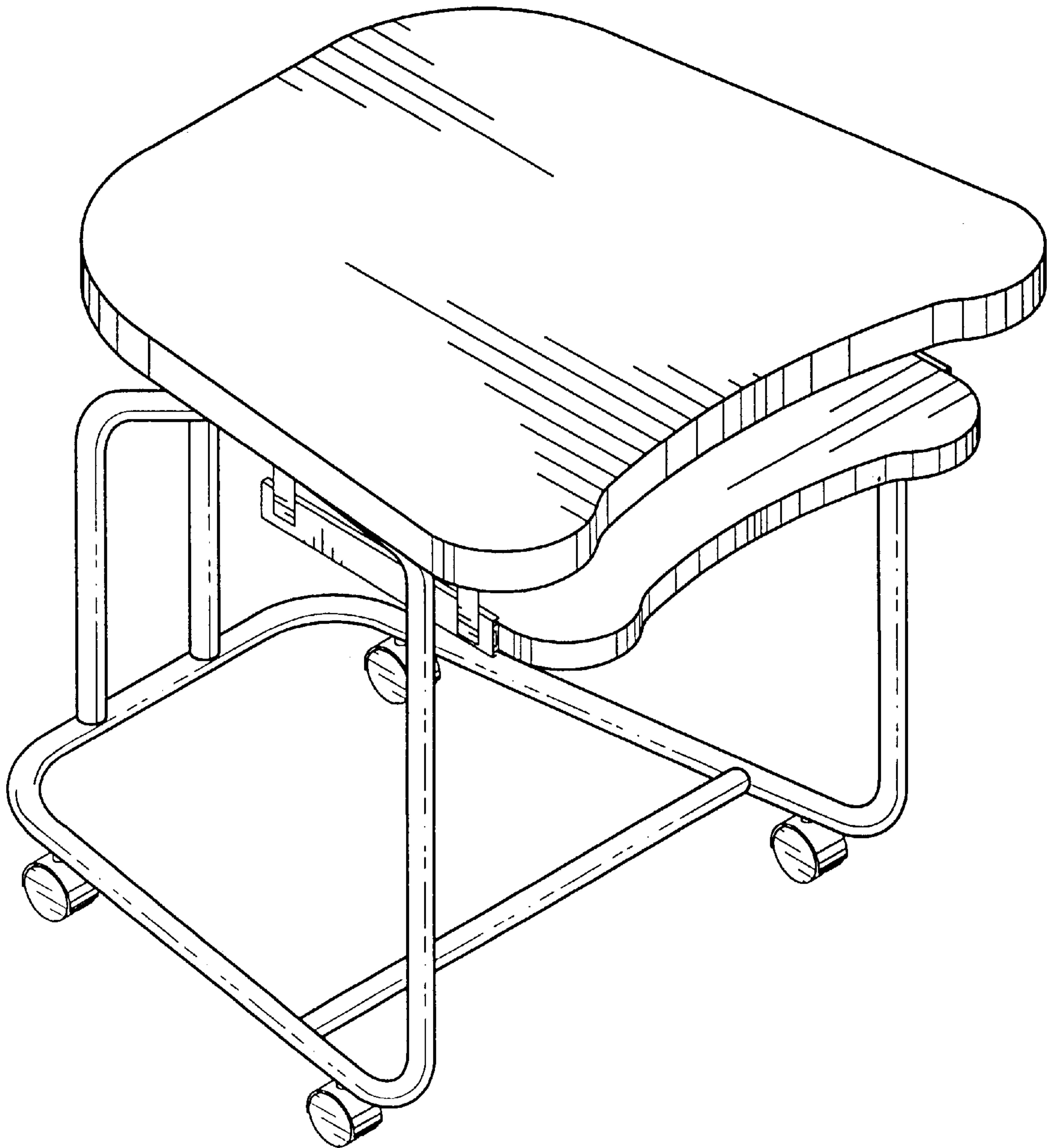


FIG. 7

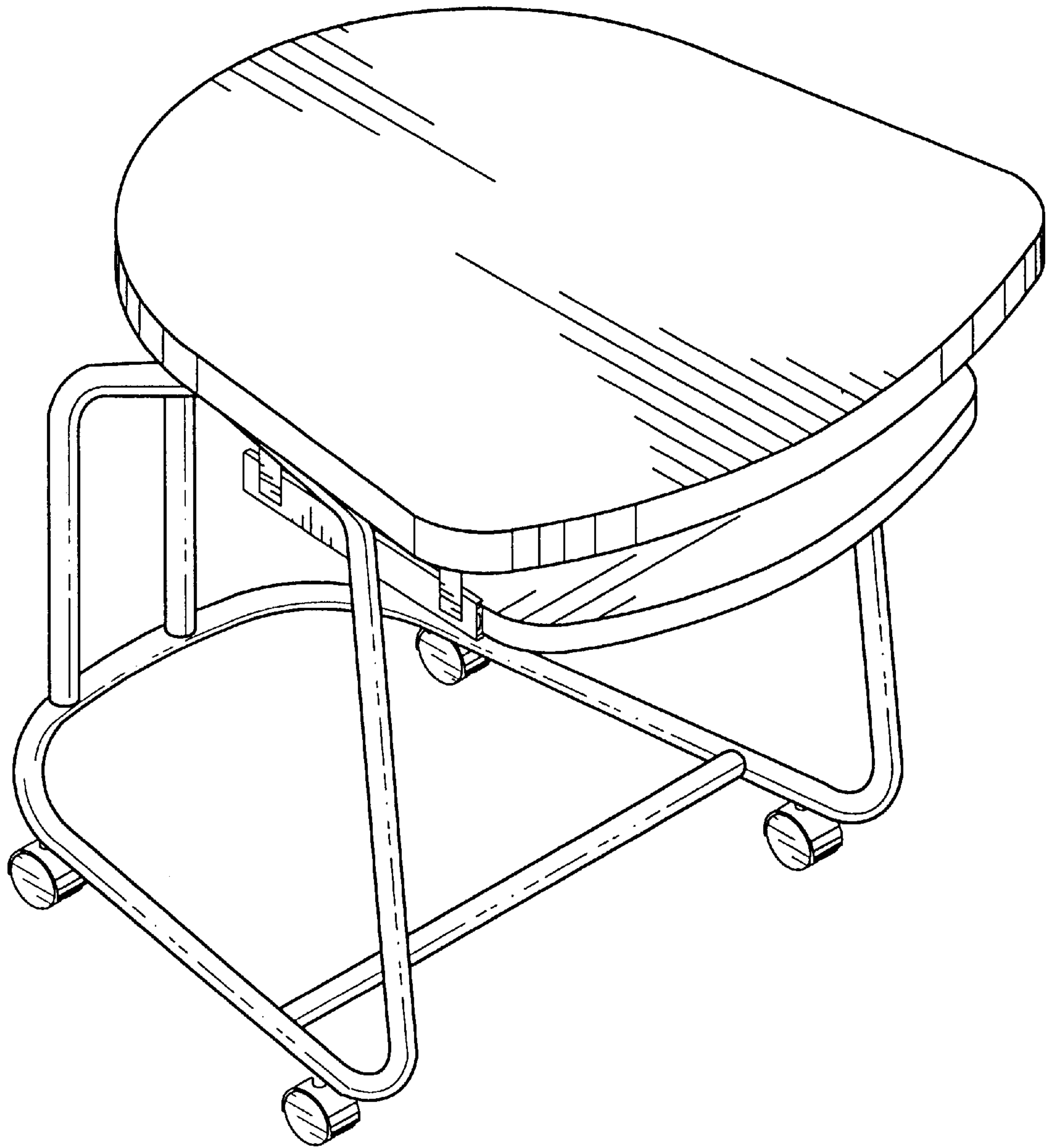


FIG. 8