



US00D442803S

(12) **United States Design Patent**
Hatch

(10) **Patent No.:** **US D442,803 S**

(45) **Date of Patent:** **** May 29, 2001**

(54) **SOCK DISPLAY**

(75) Inventor: **Joy S. Hatch**, Lewisville, NC (US)

(73) Assignee: **Renfro Corporation**, Mount Airy, NC (US)

(**) Term: **14 Years**

(21) Appl. No.: **29/122,557**

(22) Filed: **Apr. 28, 2000**

(51) **LOC (7) Cl.** **06-99**

(52) **U.S. Cl.** **D6/449**

(58) **Field of Search** D6/437, 449, 466-468, D6/472-476, 478, 573; 211/40, 41.7, 48, 50, 55, 184; 206/44, 45.25, 294, 299; 229/108

(56) **References Cited**

U.S. PATENT DOCUMENTS

D. 87,170	*	6/1932	Philippi	D6/475
D. 110,269	*	6/1938	Churchill	D6/450
D. 186,193	*	9/1959	Olsen	D6/474
D. 286,485	*	11/1986	Frizzell	D6/573
D. 322,728	*	12/1991	Berman	D6/476

2,159,887	*	5/1939	Darragh	206/45.25
2,344,273	*	3/1944	Simon	D6/450 X
4,257,522	*	3/1981	Trorneburg	206/299
4,819,792	*	4/1989	Christian	206/45.25
5,529,181	*	6/1996	Brier	206/299

* cited by examiner

Primary Examiner—Nanda Bondade

(74) *Attorney, Agent, or Firm*—J. Michael Boggs; Kilpatrick Stockton LLP

(57) **CLAIM**

The ornamental design for a sock display, as shown.

DESCRIPTION

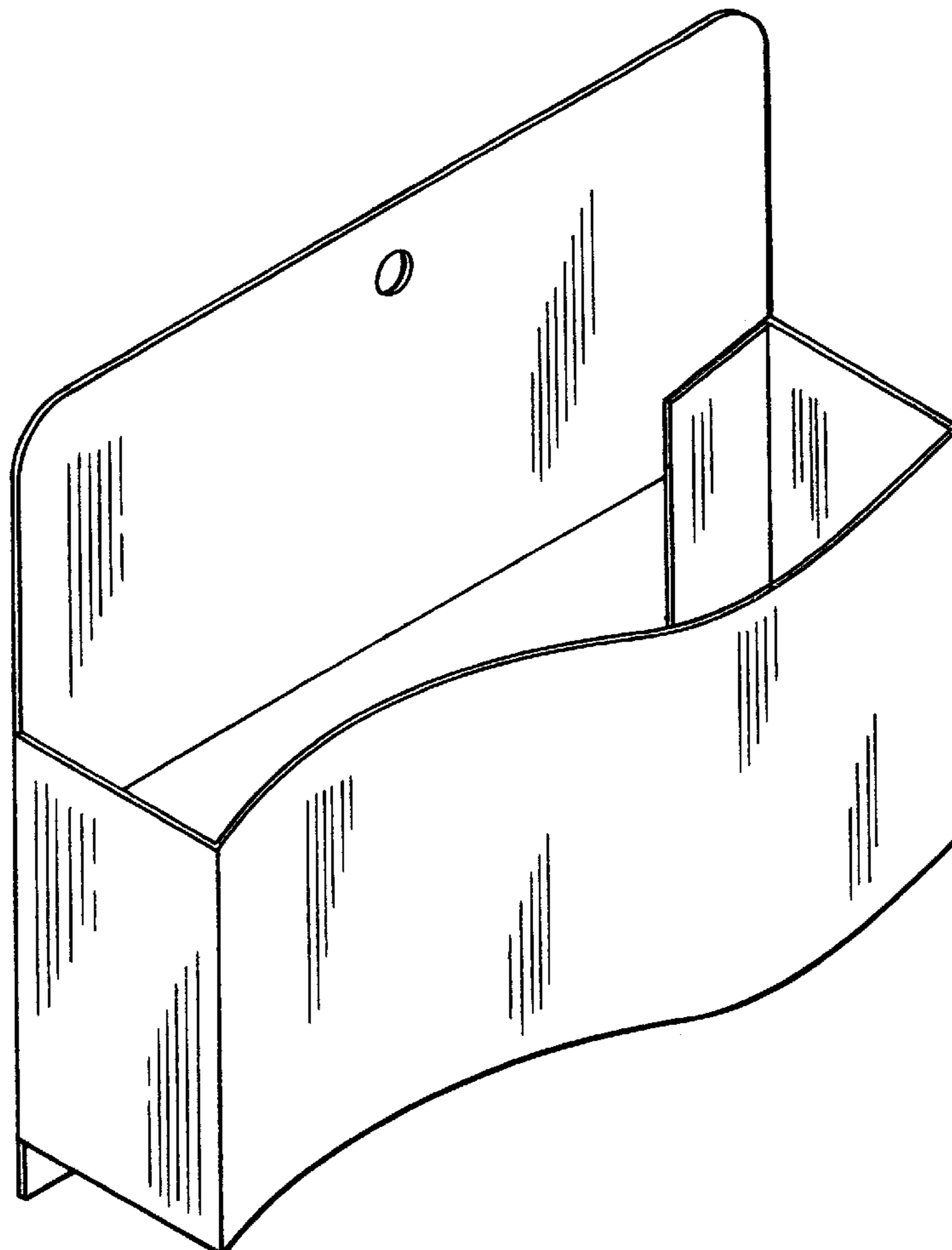
FIG. 1 is a front elevational view of the sock display of my new design.

FIG. 2 is an end elevational view of the sock display of FIG. 1, the opposite end elevational view being the same as the end elevational view.

FIG. 3 is a back elevational view of the sock display of FIG. 1; and,

FIG. 4 is a perspective view of the sock display of FIG. 1.

1 Claim, 2 Drawing Sheets



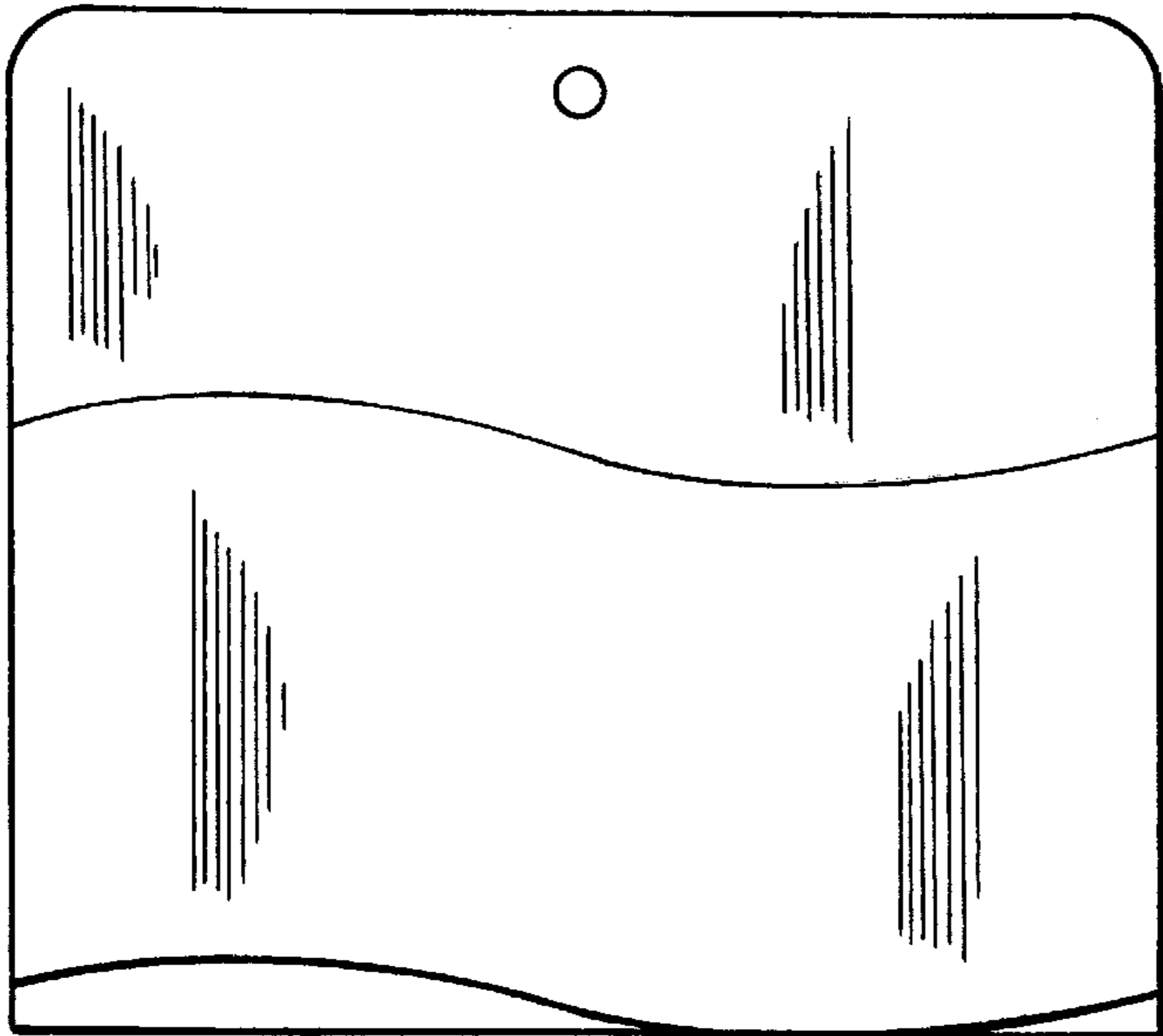


FIG. 1

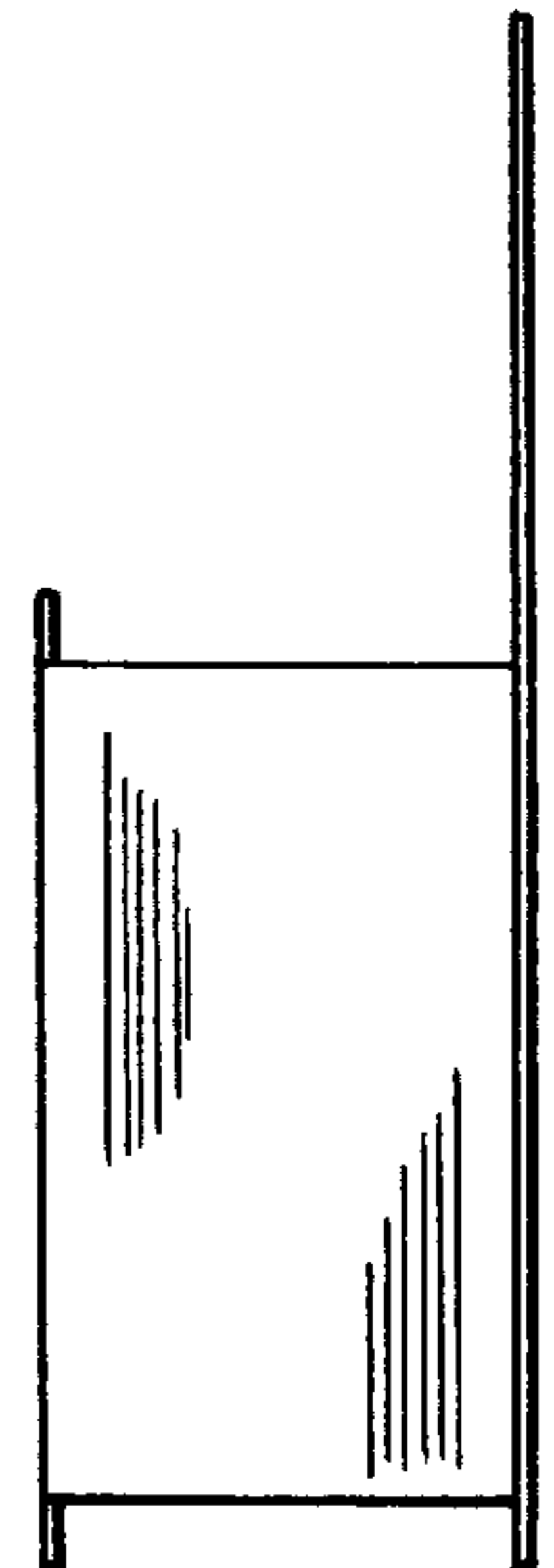


FIG. 2

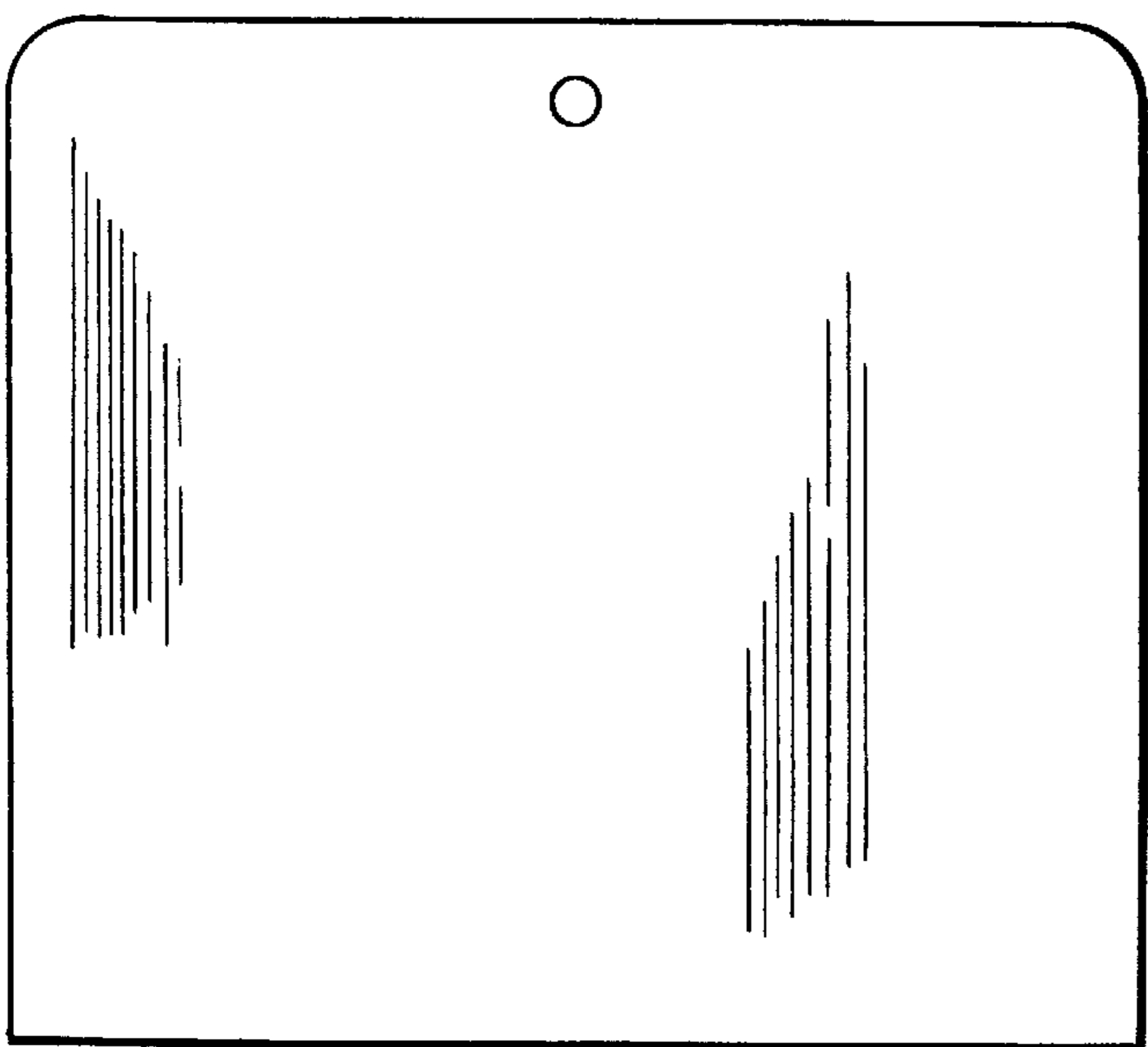


FIG. 3

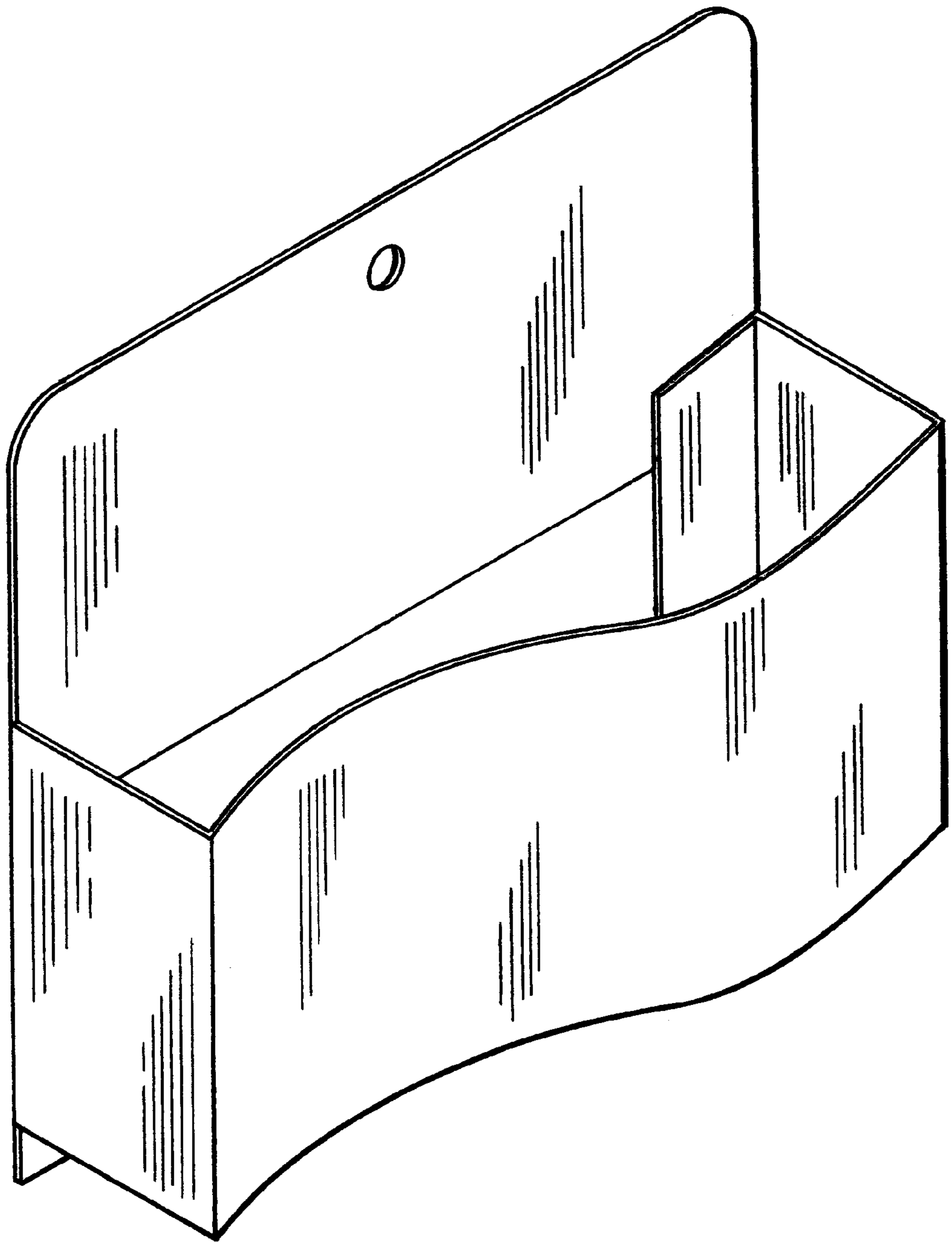


FIG. 4