



US00D442796S

(12) **United States Design Patent**
Brozak, Jr.

(10) **Patent No.:** **US D442,796 S**

(45) **Date of Patent:** **** May 29, 2001**

(54) **FLOOR COVERING MATERIAL DISPLAY**

5,927,544 * 7/1999 Kanoh et al. 211/169 X

(75) Inventor: **Emory N. Brozak, Jr.**, Strongsville,
OH (US)

* cited by examiner

Primary Examiner—Nanda Bondade

(73) Assignee: **American Greetings Corp.**

(74) *Attorney, Agent, or Firm*—Arter & Hadden LLP

(**) Term: **14 Years**

(57) **CLAIM**

(21) Appl. No.: **29/124,353**

The ornamental design for a floor covering material display,
as shown and described.

(22) Filed: **Jun. 2, 2000**

DESCRIPTION

(51) **LOC (7) Cl.** **06-99**

FIG. 1 is a front perspective view of the floor covering
material display of the invention;

(52) **U.S. Cl.** **D6/409**

FIG. 2 is a front view of the floor covering material display
of the invention;

(58) **Field of Search** D6/409-411, 413-414,
D6/436, 437, 438, 454, 473; 211/13, 44,
45, 47, 50, 128, 165, 169

FIG. 3 is a rear perspective view of the floor covering
material display of the invention;

(56) **References Cited**

FIG. 4 is a top view of the floor covering material display of
the invention; and,

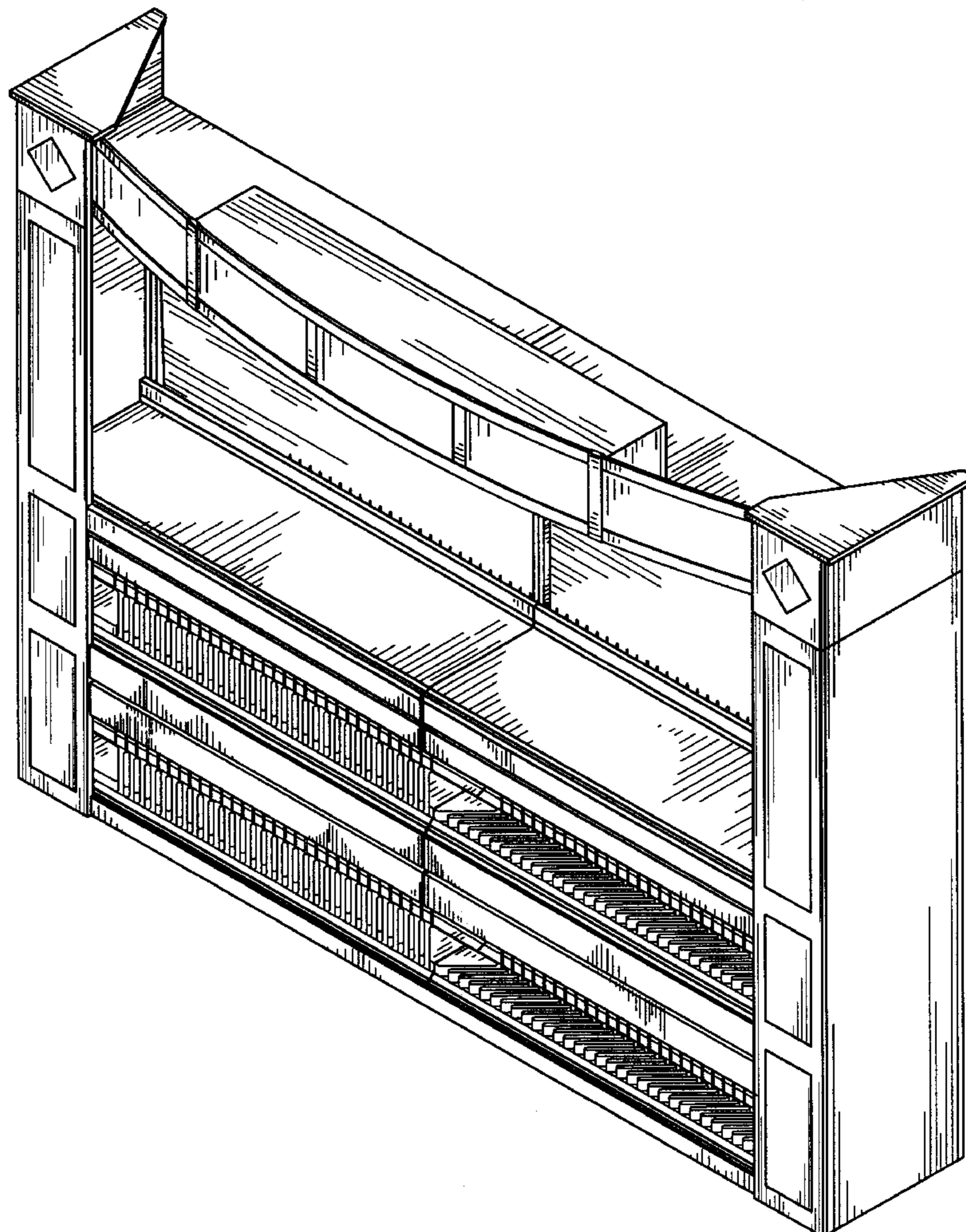
U.S. PATENT DOCUMENTS

FIG. 5 is a side view of the floor covering material display
of the invention, the opposite side being identical.

D. 198,891 * 8/1964 Milstein D6/437

D. 239,240 * 3/1976 Buday et al. D6/437

1 Claim, 4 Drawing Sheets



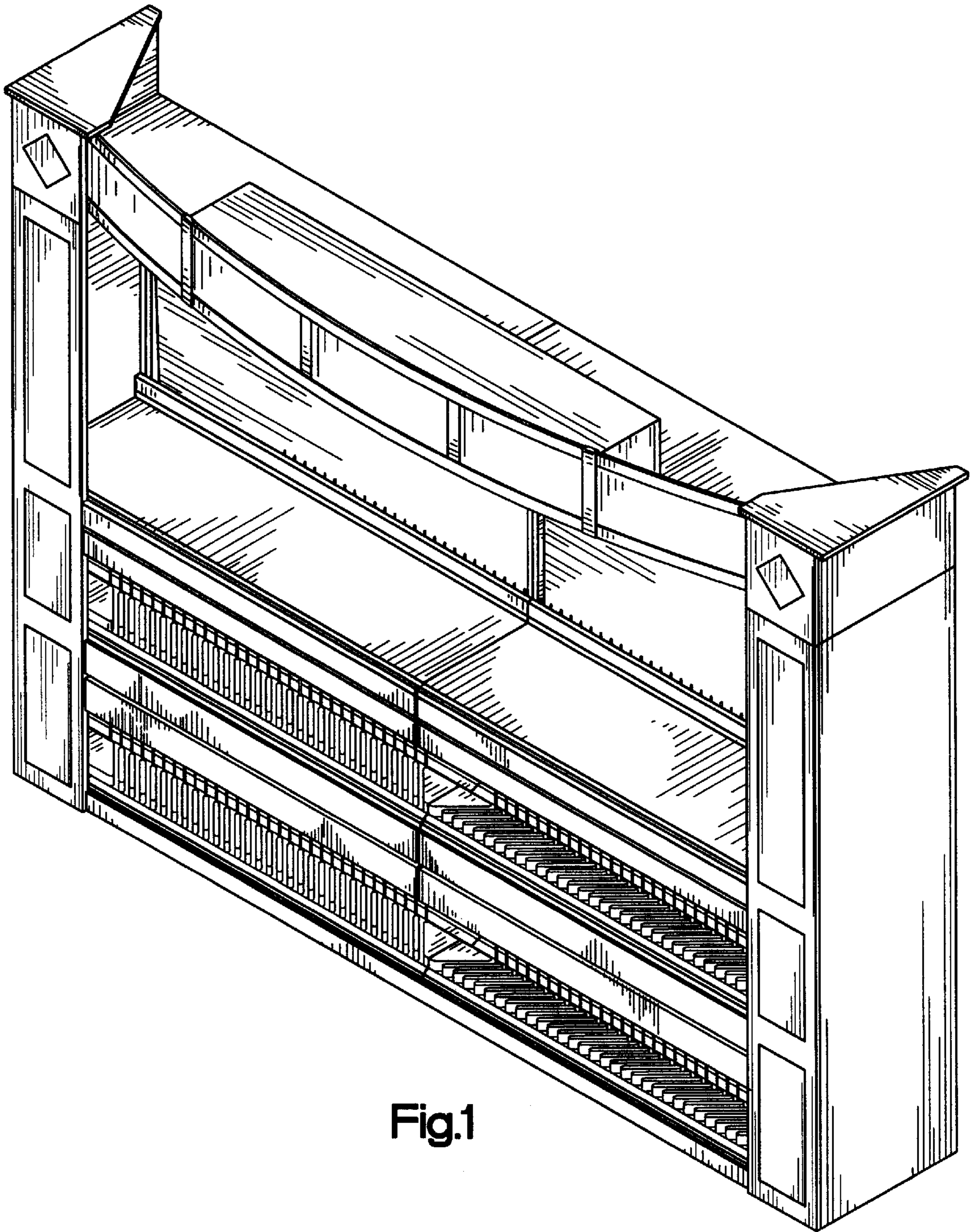


Fig.1

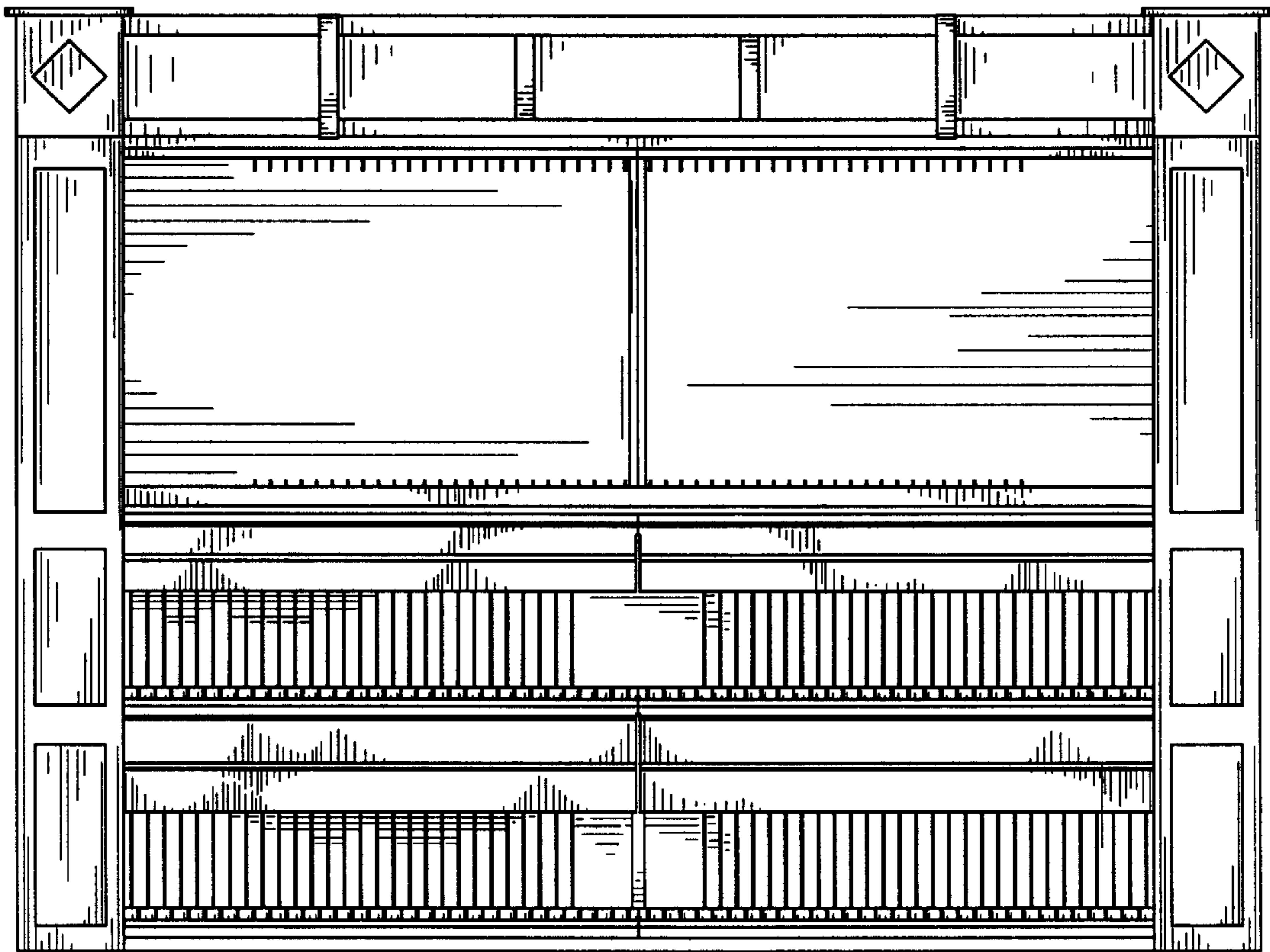


Fig.2

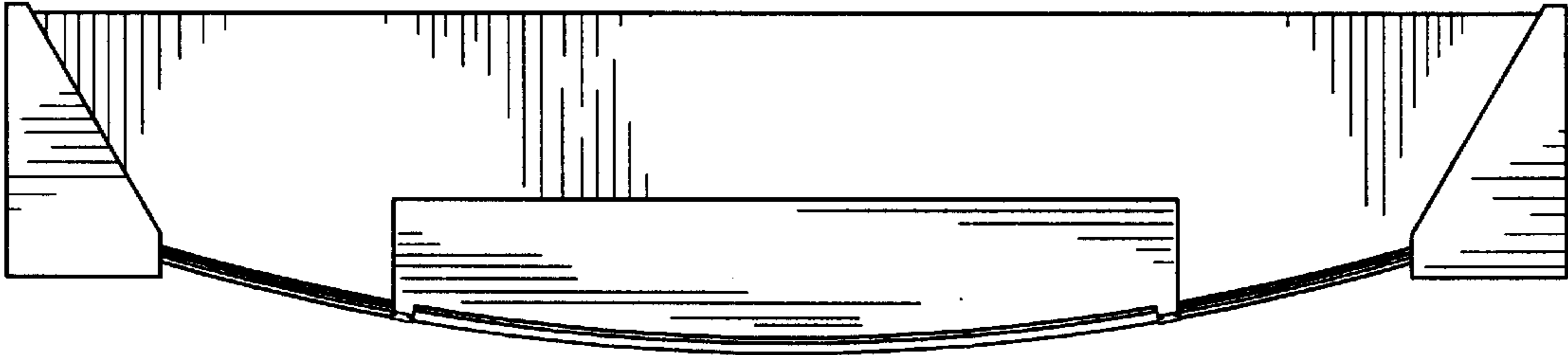


Fig.3

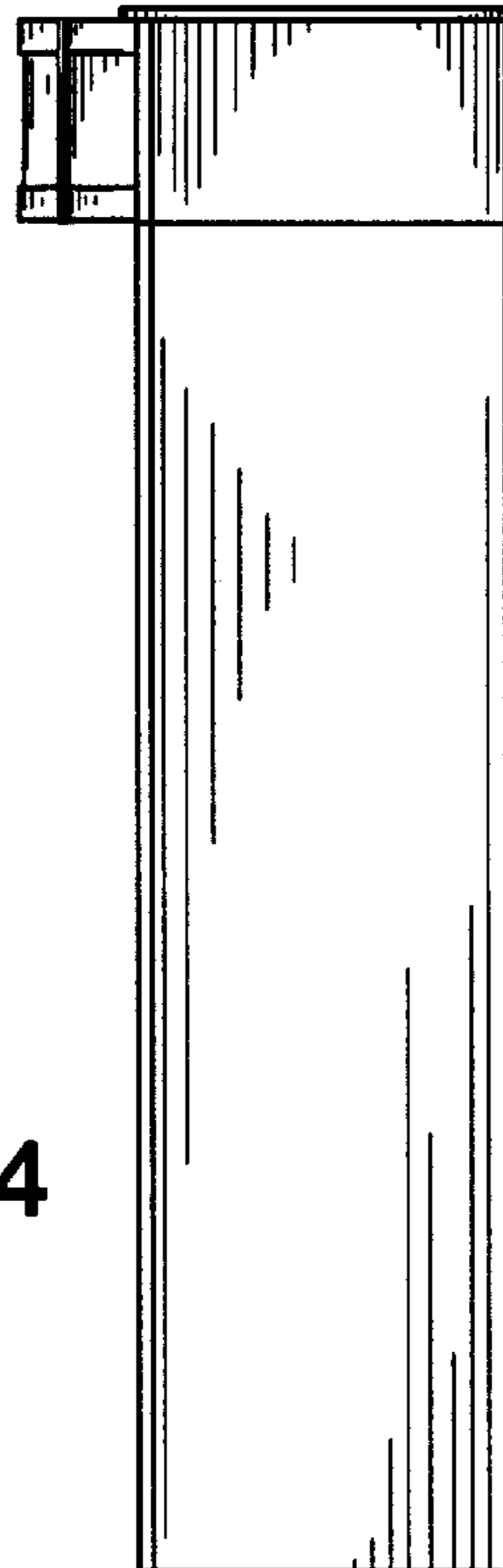


Fig.4

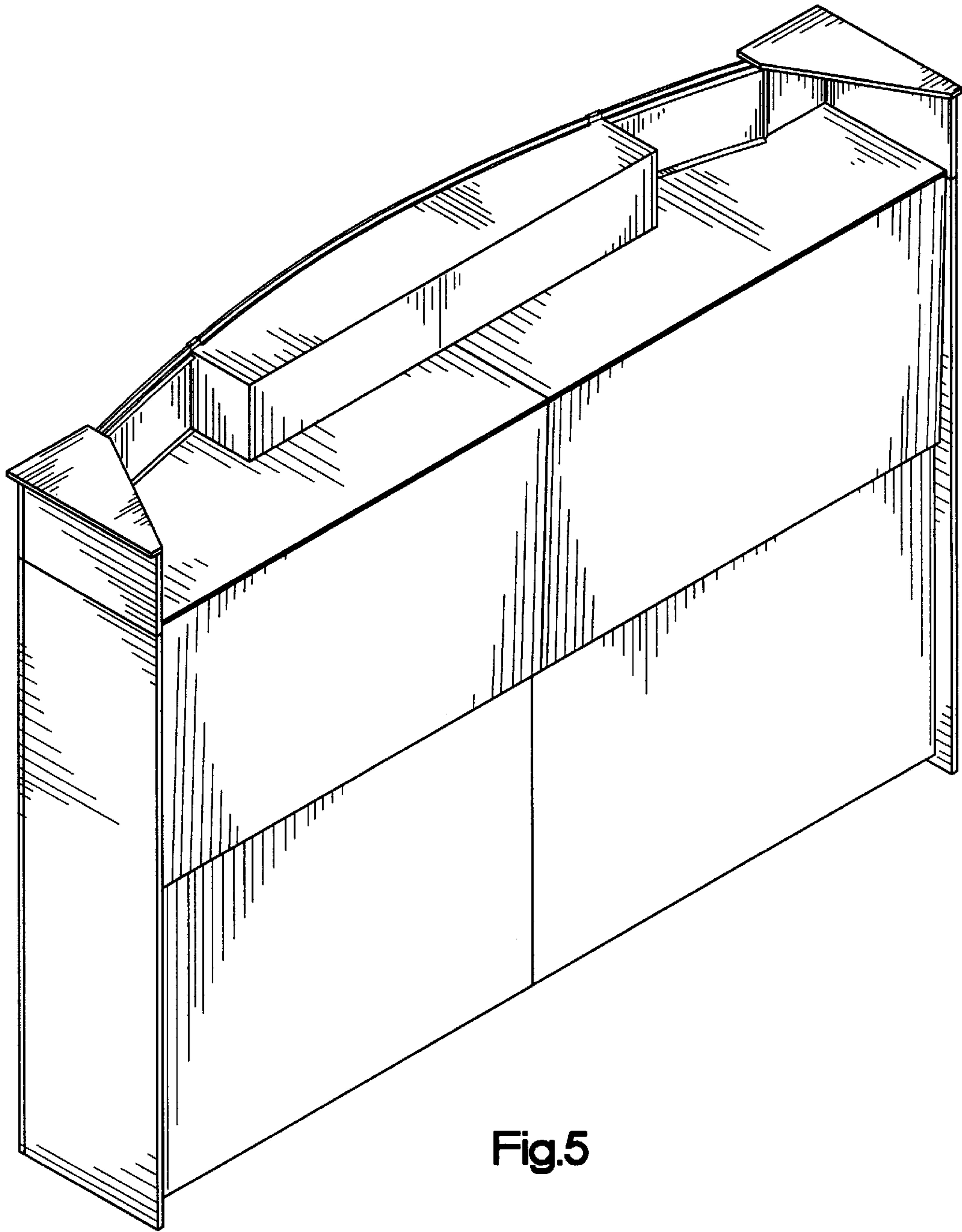


Fig.5