



US00D442791S

(12) **United States Design Patent**
Simons, Jr. et al.

(10) **Patent No.:** **US D442,791 S**

(45) **Date of Patent:** **** May 29, 2001**

(54) **CHAIR**

(75) Inventors: **George J. Simons, Jr.**, East Grand Rapids; **David C. Jenkins**, Grand Rapids, both of MI (US); **Arnold B. Dammermann**, Winona, MN (US); **Thomas B. Eich**, Palo Alto; **Thomas Overthun**, San Francisco, both of CA (US); **Kurt R. Heidmann**, Grand Rapids; **David S. Teppo**, East Grand Rapids, both of MI (US)

- D. 328,822 8/1992 Piretti .
- D. 328,980 9/1992 Buchacz .
- D. 330,478 10/1992 Wogoman et al. .
- D. 339,927 10/1993 Fahnstrom et al. .
- D. 343,740 2/1994 Ginat .
- D. 345,259 3/1994 Narita .
- D. 346,279 4/1994 Stumpf et al. .
- D. 349,621 8/1994 Wilson .
- D. 351,070 10/1994 Scheper et al. .
- D. 352,181 11/1994 Ivicevi .
- D. 358,063 5/1995 Larkin .
- D. 362,973 10/1995 Schultz .

(List continued on next page.)

(73) Assignee: **Steelcase Development Inc.**, Caledonia, MI (US)

(**) Term: **14 Years**

(21) Appl. No.: **29/131,686**

(22) Filed: **Oct. 26, 2000**

Related U.S. Application Data

(62) Division of application No. 29/103,161, filed on Apr. 9, 1999.

(51) **LOC (7) Cl.** **06-01**

(52) **U.S. Cl.** **D6/366**

(58) **Field of Search** D6/334, 335, 364, D6/365, 366, 367, 374, 379, 500, 501, 502; 297/411.2, 411.27, 411.31

(56) **References Cited**

U.S. PATENT DOCUMENTS

- D. 123,831 12/1940 Brainard .
- D. 192,419 * 3/1962 Sullivan D6/374
- D. 272,204 1/1984 De Boer .
- D. 277,143 1/1985 Helmholtz .
- D. 279,155 6/1985 Aronowitz et al. .
- D. 292,655 11/1987 Hendrick .
- D. 309,384 7/1990 Buhk .
- D. 312,176 11/1990 Heidmann .
- D. 320,507 10/1991 Shields .
- D. 320,704 10/1991 Monesi .
- D. 326,369 5/1992 Buchacz .
- D. 328,199 7/1992 Citterio .

Primary Examiner—Gary D. Watson

(74) *Attorney, Agent, or Firm*—Price Heneveld Cooper DeWitt & Litton

(57) **CLAIM**

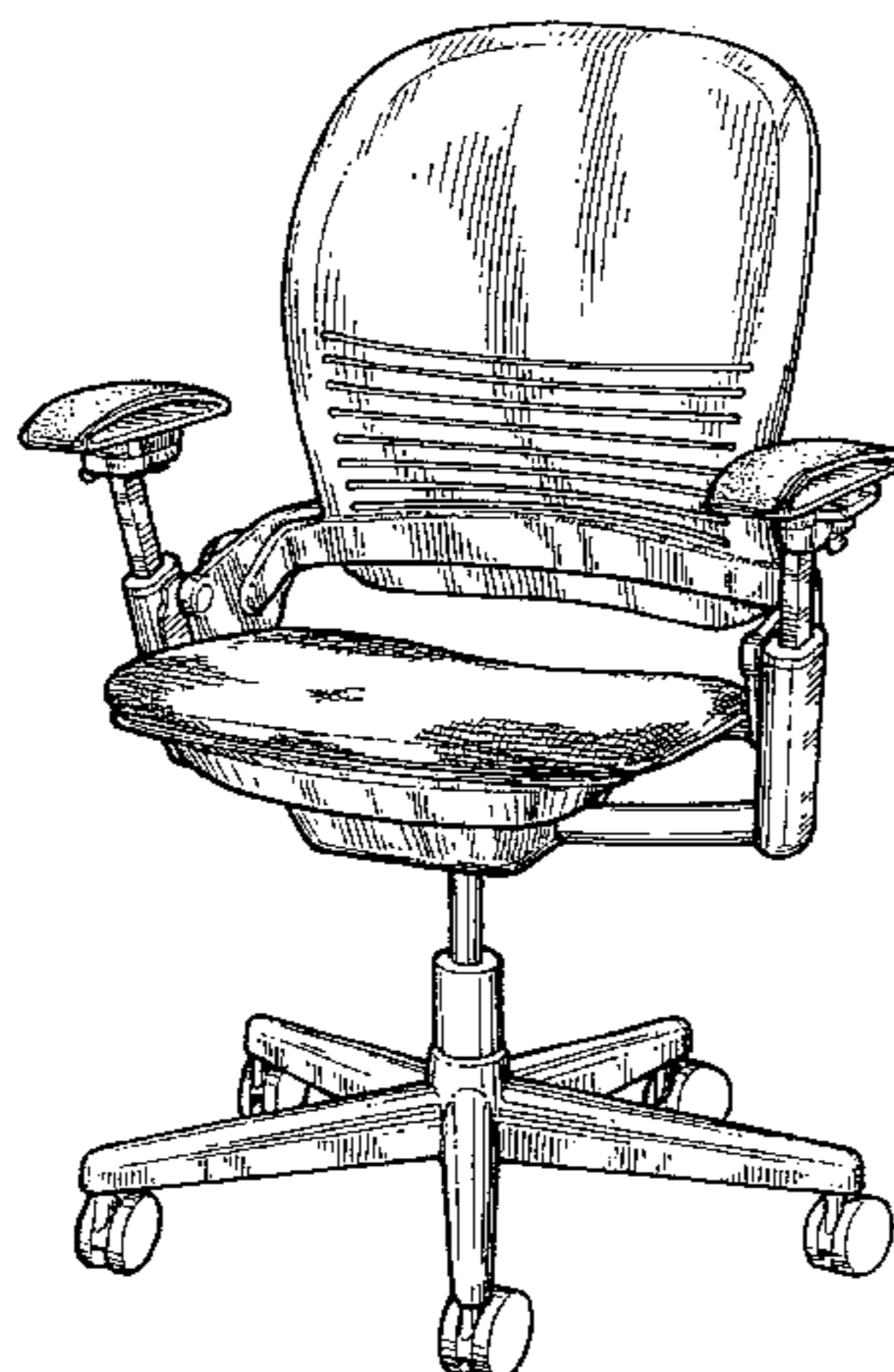
We claim the ornamental design for a chair, as shown and described.

DESCRIPTION

FIG. 1 is a front perspective view of a chair embodying the present design;
 FIG. 2 is a rear perspective view thereof;
 FIG. 3 is a right side view thereof;
 FIG. 4 is a left side view thereof;
 FIG. 5 is a front view thereof;
 FIG. 6 is a rear view thereof; and,
 FIG. 7 is a top view thereof.
 FIG. 8 is a front perspective view of a second embodiment of the chair of the present design;
 FIG. 9 is a rear perspective view thereof;
 FIG. 10 is a right side view thereof;
 FIG. 11 is a left side view thereof;
 FIG. 12 is a front view thereof;
 FIG. 13 is a rear view thereof; and
 FIG. 14 is a top view thereof.

The fragmented cross-hatching shown on the padded portion of the seat member is understood to represent fabric and would be continuous throughout the circumscribed area.

1 Claim, 12 Drawing Sheets



US D442,791 S

Page 2

U.S. PATENT DOCUMENTS

| | | | | | | |
|------------|----------|------------------------|------------|-----------|-------------------------|--------|
| D. 362,974 | 10/1995 | Olson et al. . | D. 414,349 | 9/1999 | Jenkins et al. . | |
| D. 365,453 | 12/1995 | Newhouse . | D. 420,538 | * 2/2000 | Arko et al. | D6/500 |
| D. 367,982 | 3/1996 | Stirling et al. . | D. 421,540 | * 3/2000 | Jenkins et al. | D6/502 |
| D. 371,009 | 6/1996 | Werner . | D. 426,966 | * 6/2000 | Chu | D6/366 |
| D. 371,683 | 7/1996 | Tolleson et al. . | D. 427,816 | * 7/2000 | Overthun et al. | D6/500 |
| D. 380,110 | 6/1997 | Tortel . | D. 431,741 | * 10/2000 | Simons, Jr. et al. | D6/501 |
| D. 381,525 | 7/1997 | James . | 4,451,085 | 5/1984 | Franck et al. . | |
| D. 383,322 | * 9/1997 | Dammermann et al. | 4,509,793 | 4/1985 | Wiesmann et al. . | |
| D. 390,385 | * 2/1998 | Dammermann et al. | 4,529,247 | 7/1985 | Stumpf et al. . | |
| D. 390,712 | 2/1998 | Koepke et al. . | 4,861,108 | 8/1989 | Acton et al. . | |
| D. 391,791 | 3/1998 | Smith . | 4,911,501 | 3/1990 | Decker et al. . | |
| D. 393,755 | 4/1998 | Nemeth, Jr. . | 5,382,079 | 1/1995 | Wilson et al. . | |
| D. 395,366 | 6/1998 | Favaretto . | 5,385,388 | 1/1995 | Faiks et al. . | |
| D. 396,975 | * 8/1998 | Dammermann et al. | 5,501,507 | 3/1996 | Hummitzsch . | |
| D. 398,163 | 9/1998 | Desanta . | 5,577,807 | 11/1996 | Hodge et al. . | |
| D. 401,771 | 12/1998 | Goodworth et al. . | 5,599,067 | 2/1997 | Schuelke et al. . | |
| D. 411,928 | 7/1999 | Ritch et al. . | 5,667,277 | 9/1997 | Van De Riet . | |

* cited by examiner

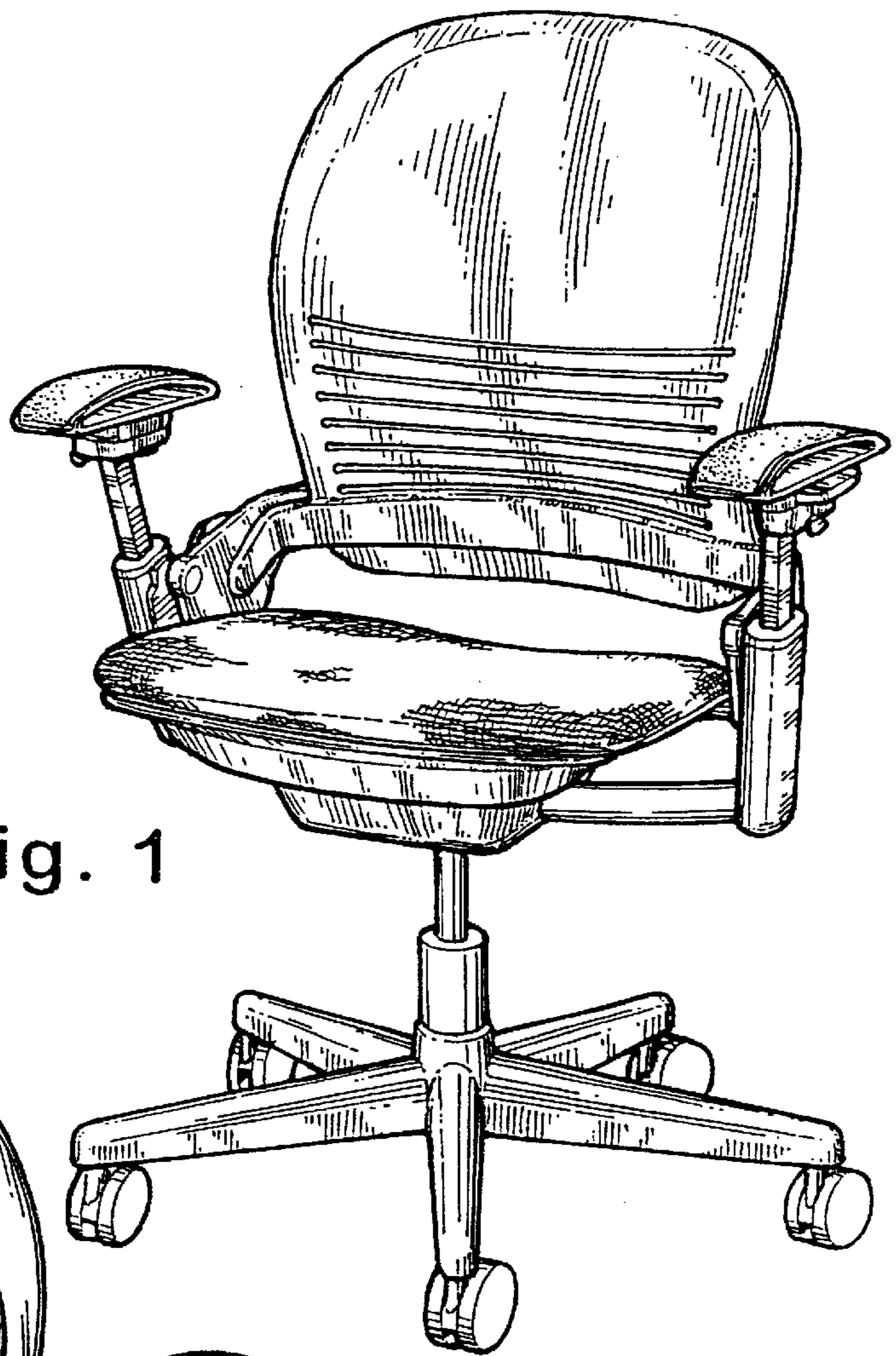


Fig. 1

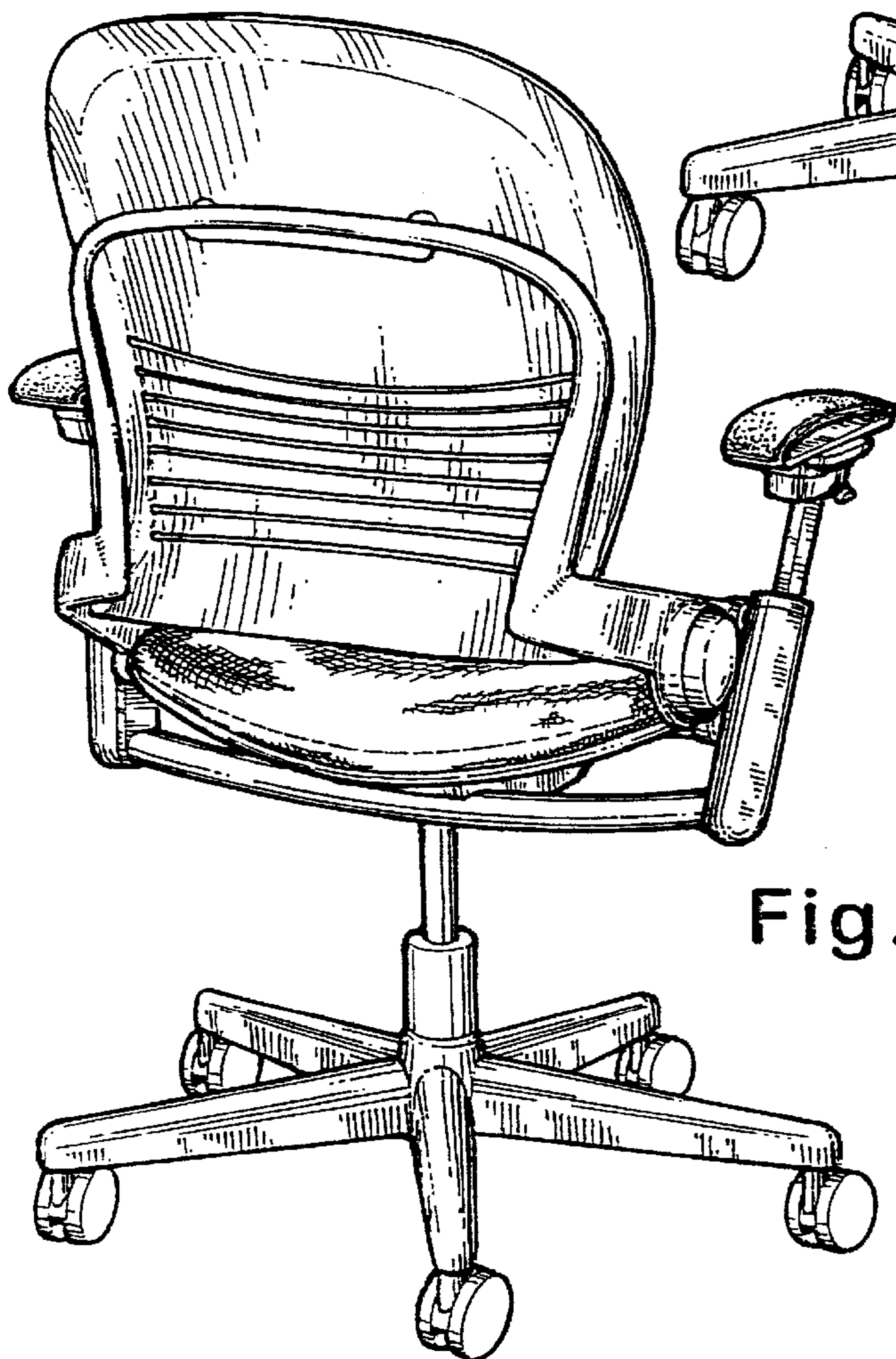


Fig. 2

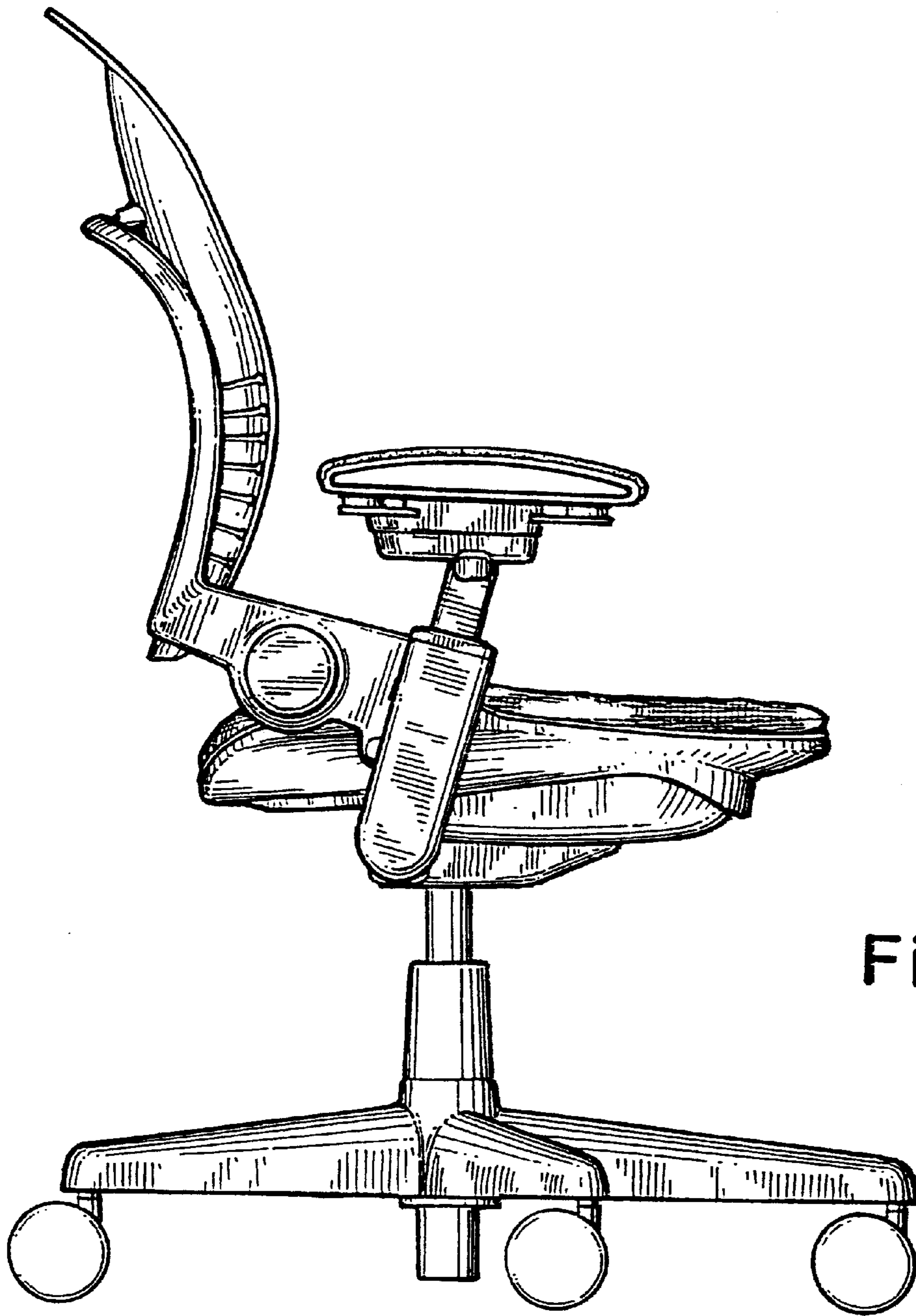


Fig. 3

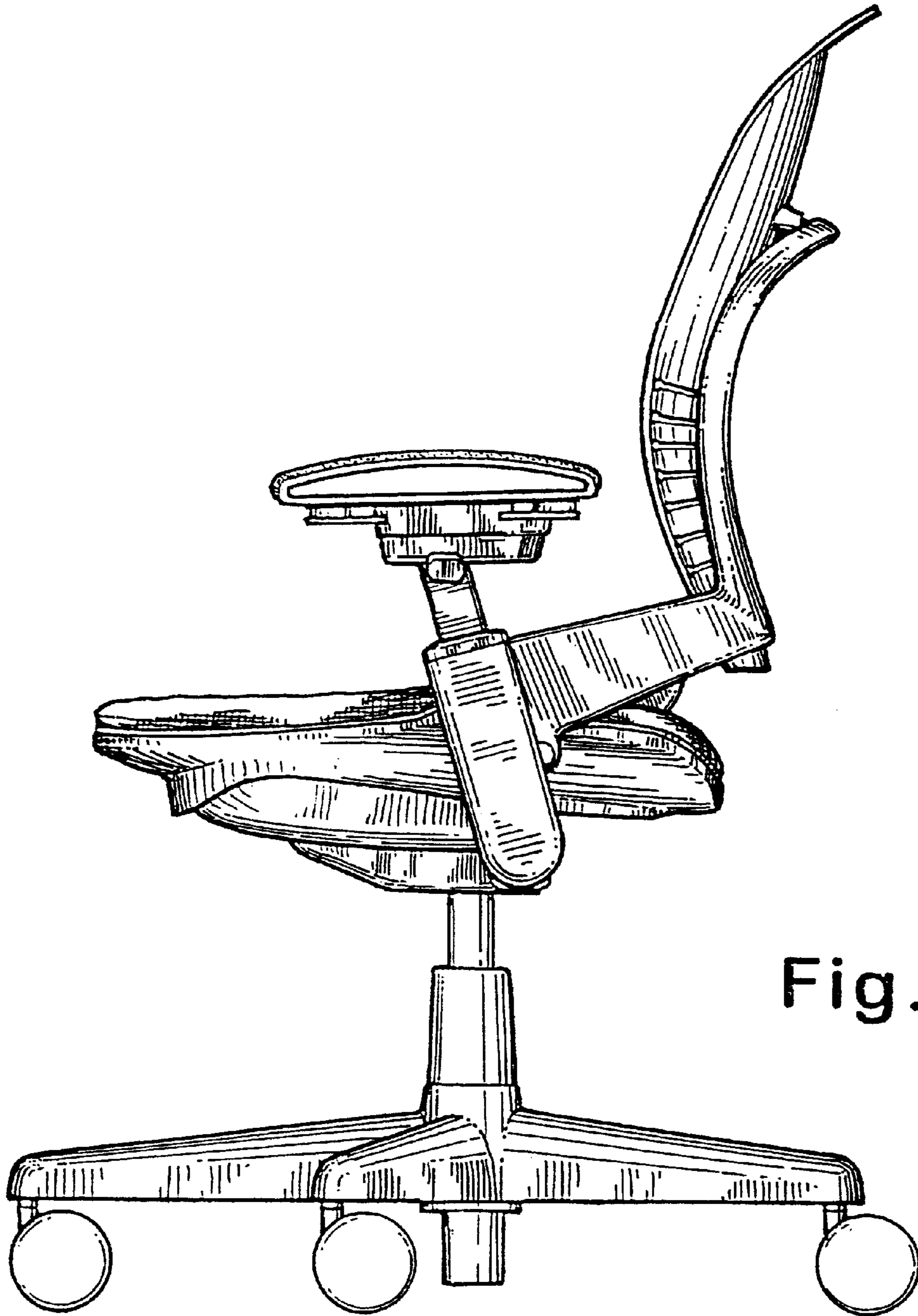


Fig. 4

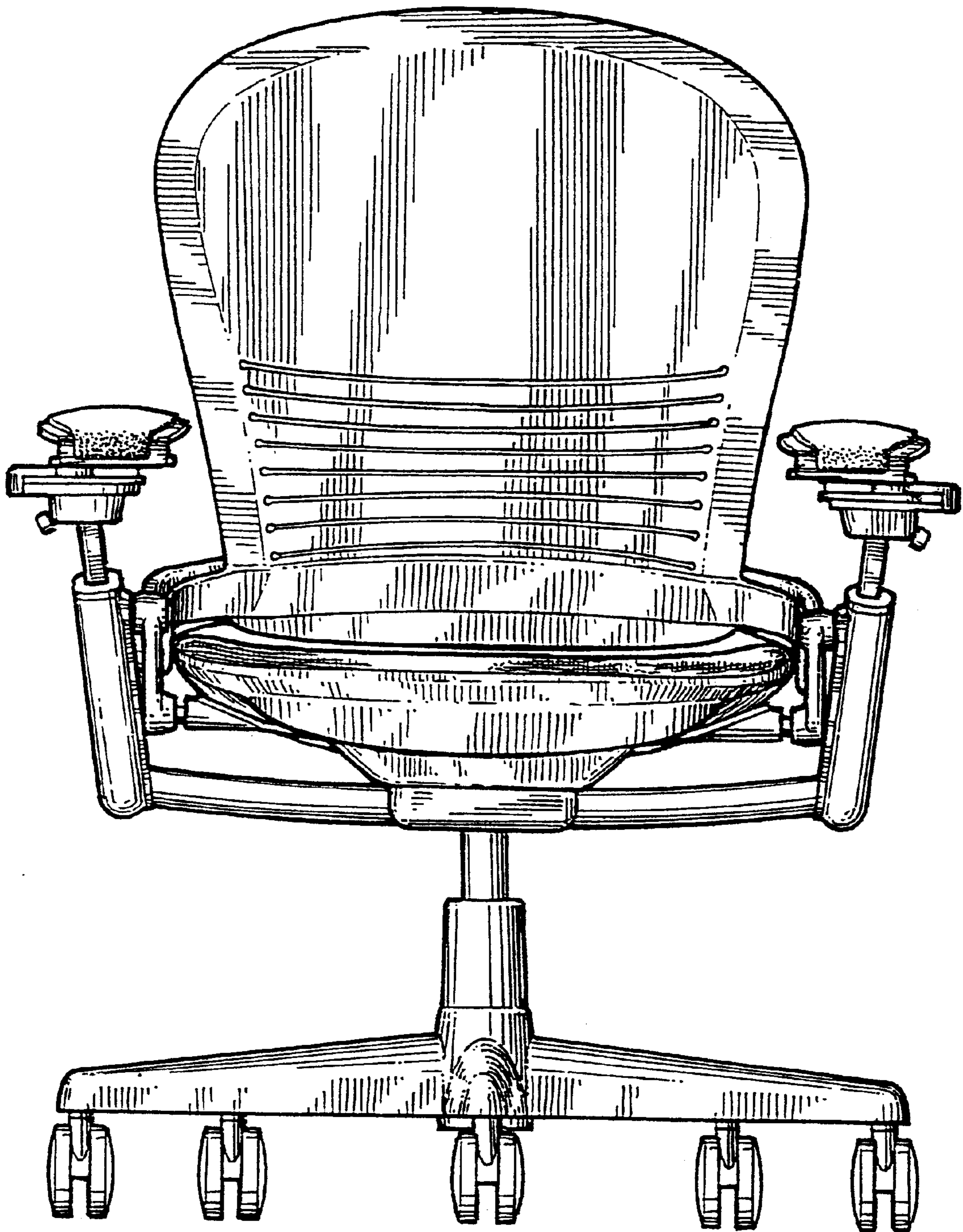


Fig. 5

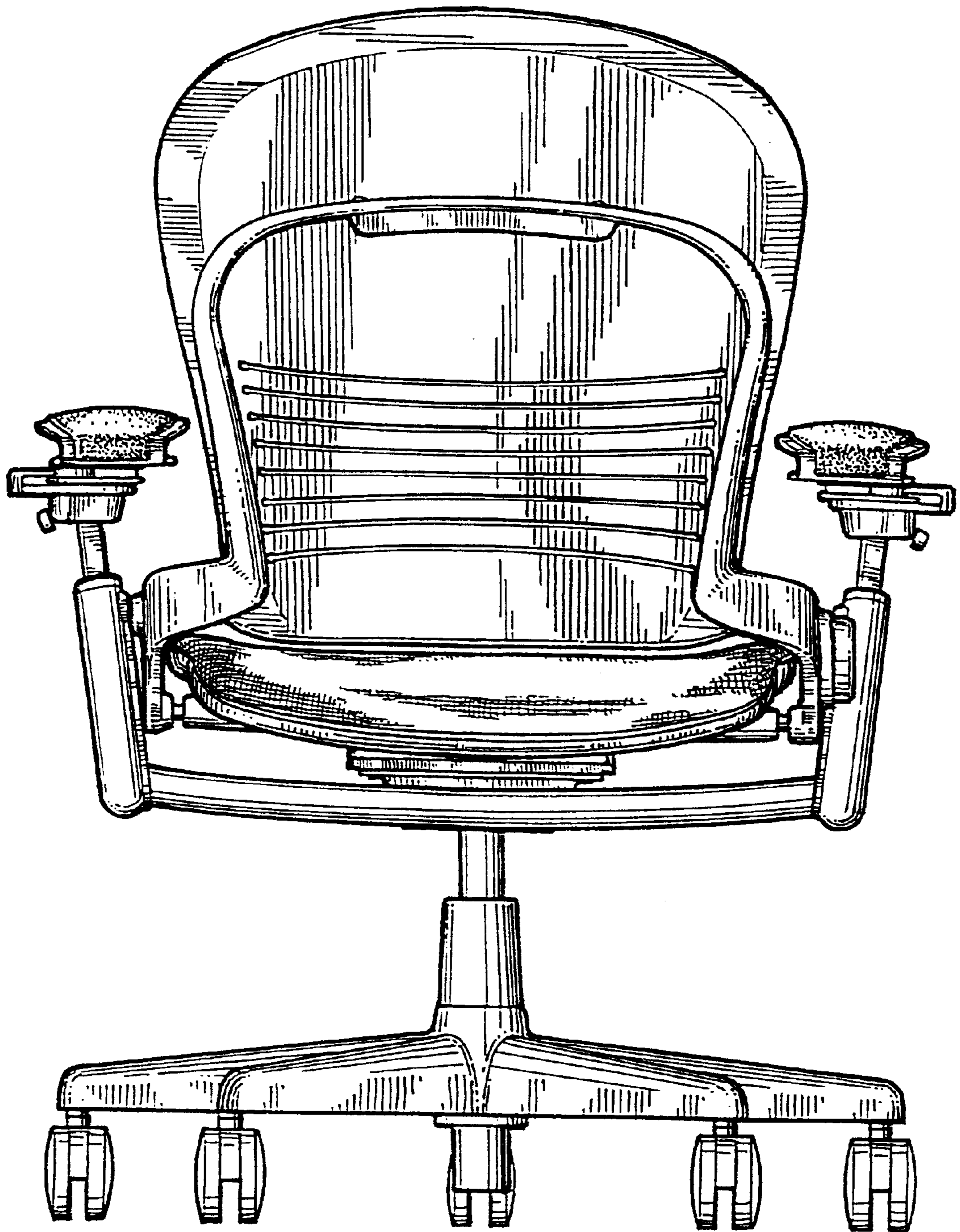


Fig. 6

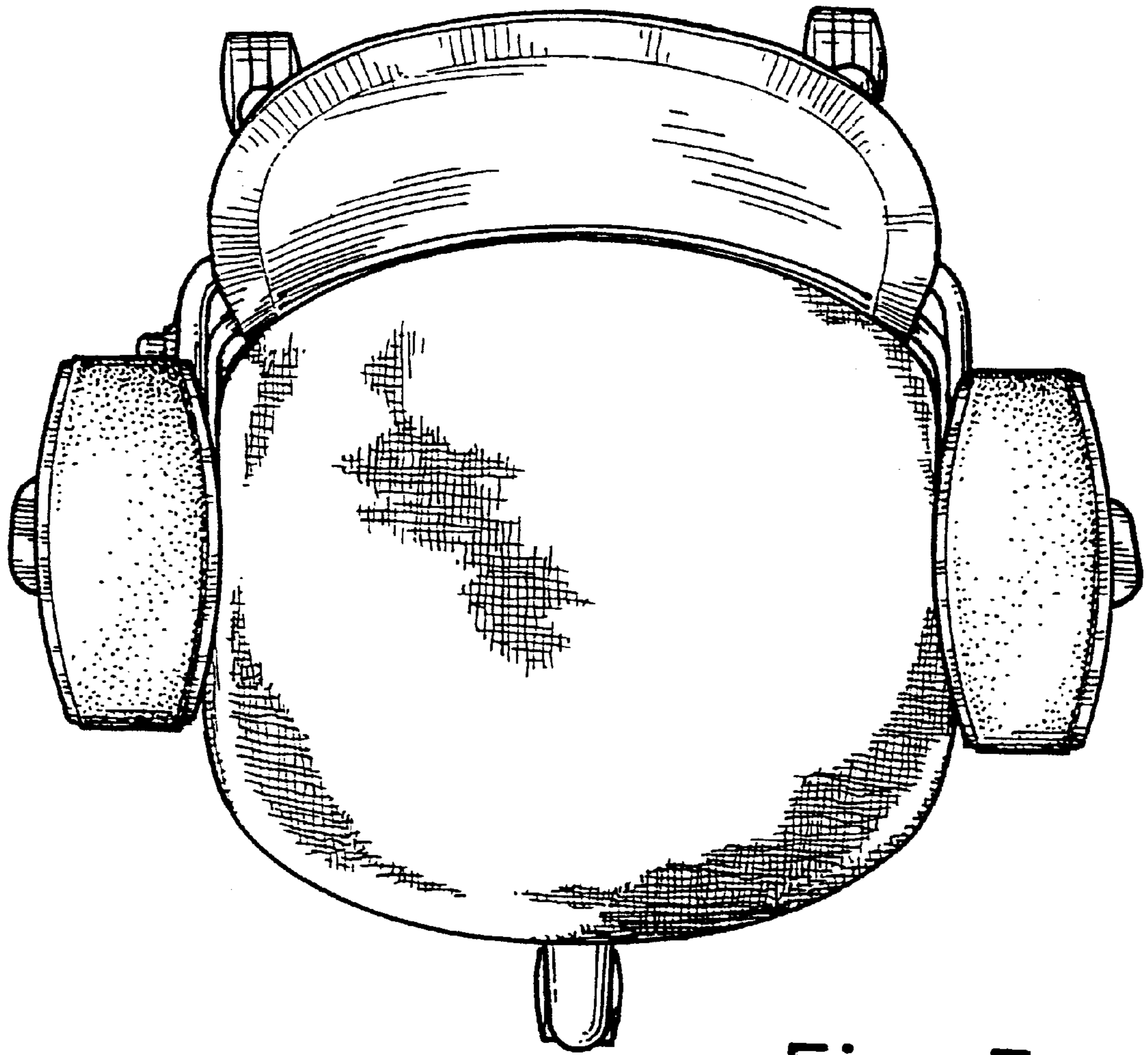


Fig. 7



Fig. 8

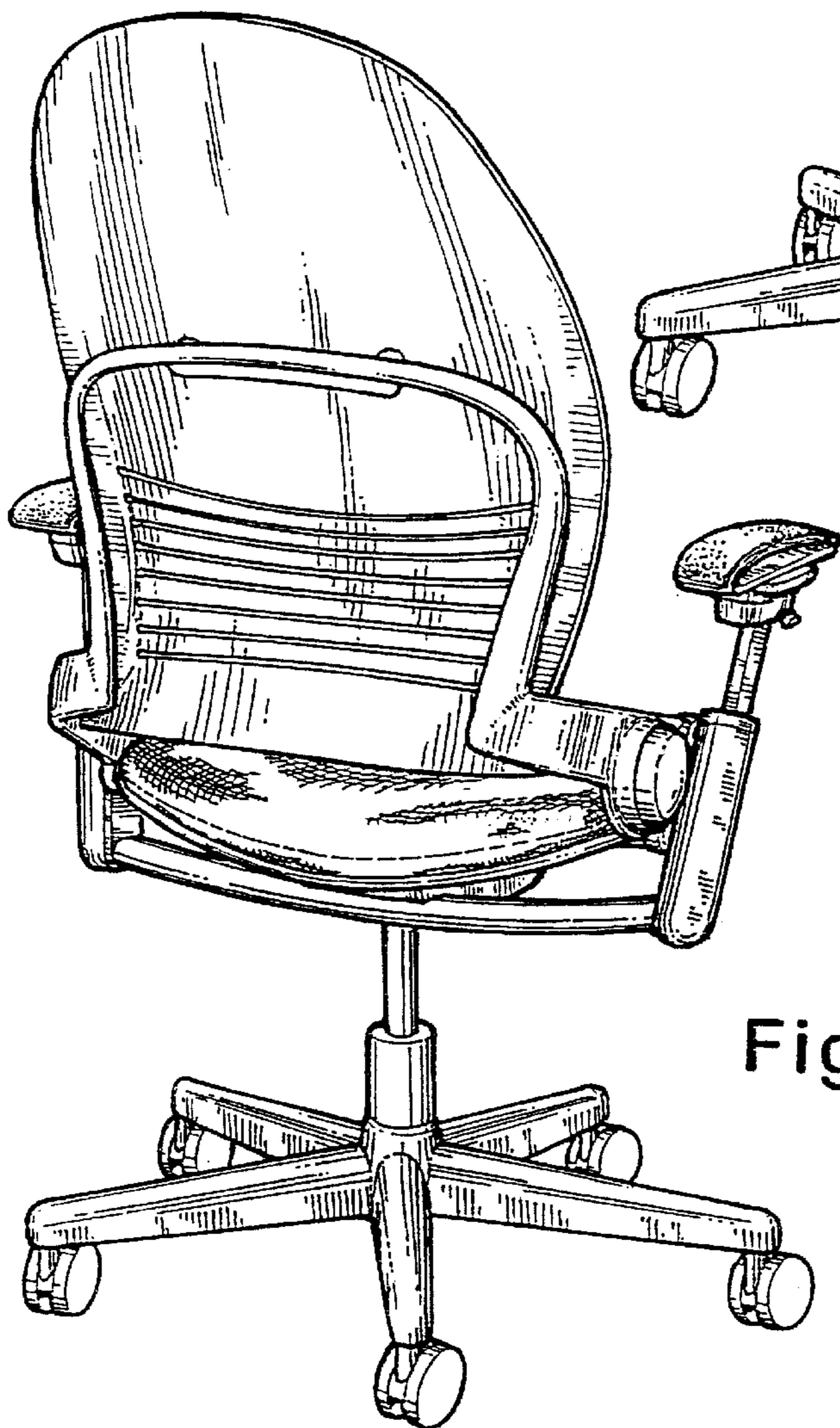


Fig. 9

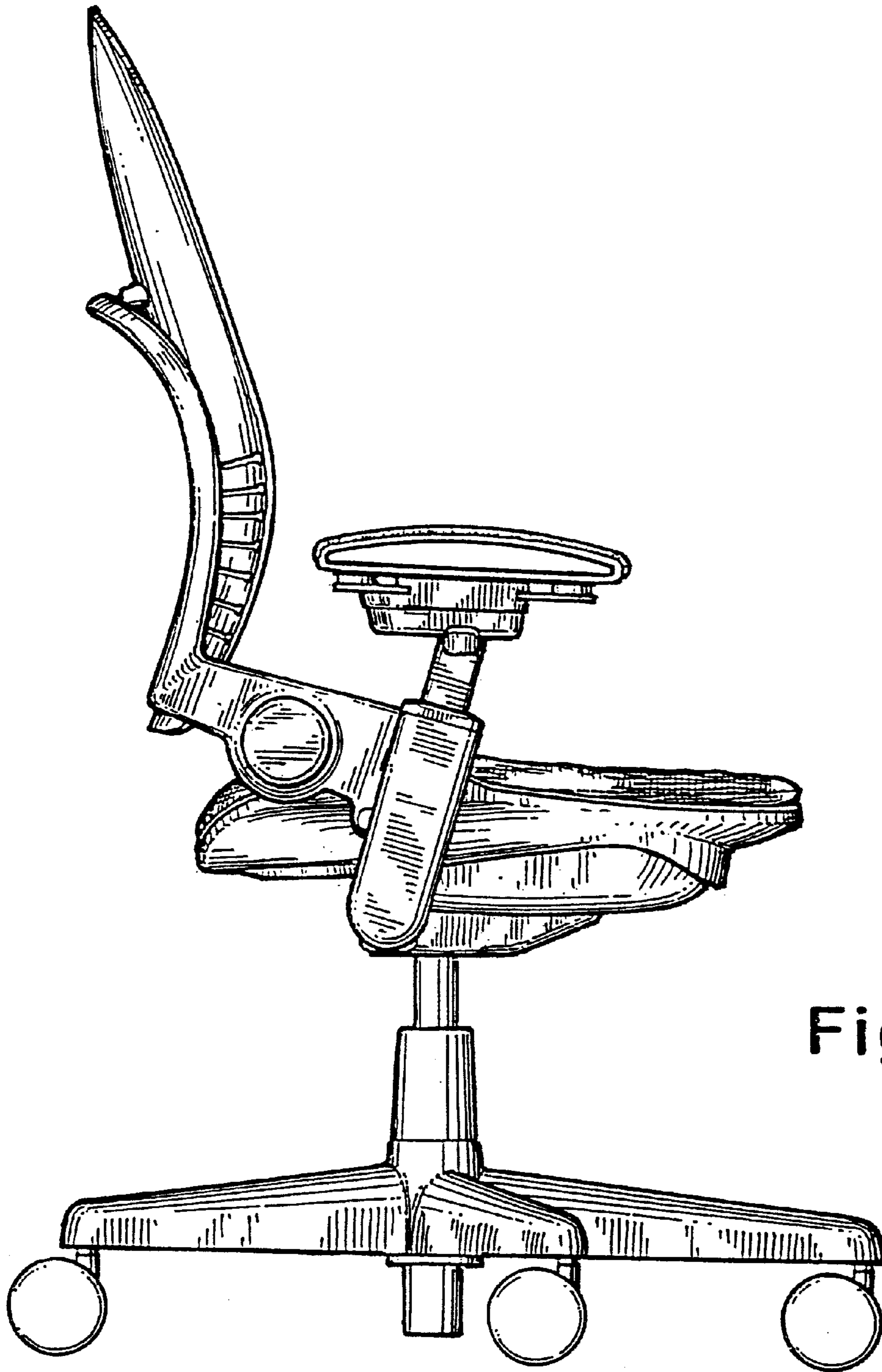


Fig. 10

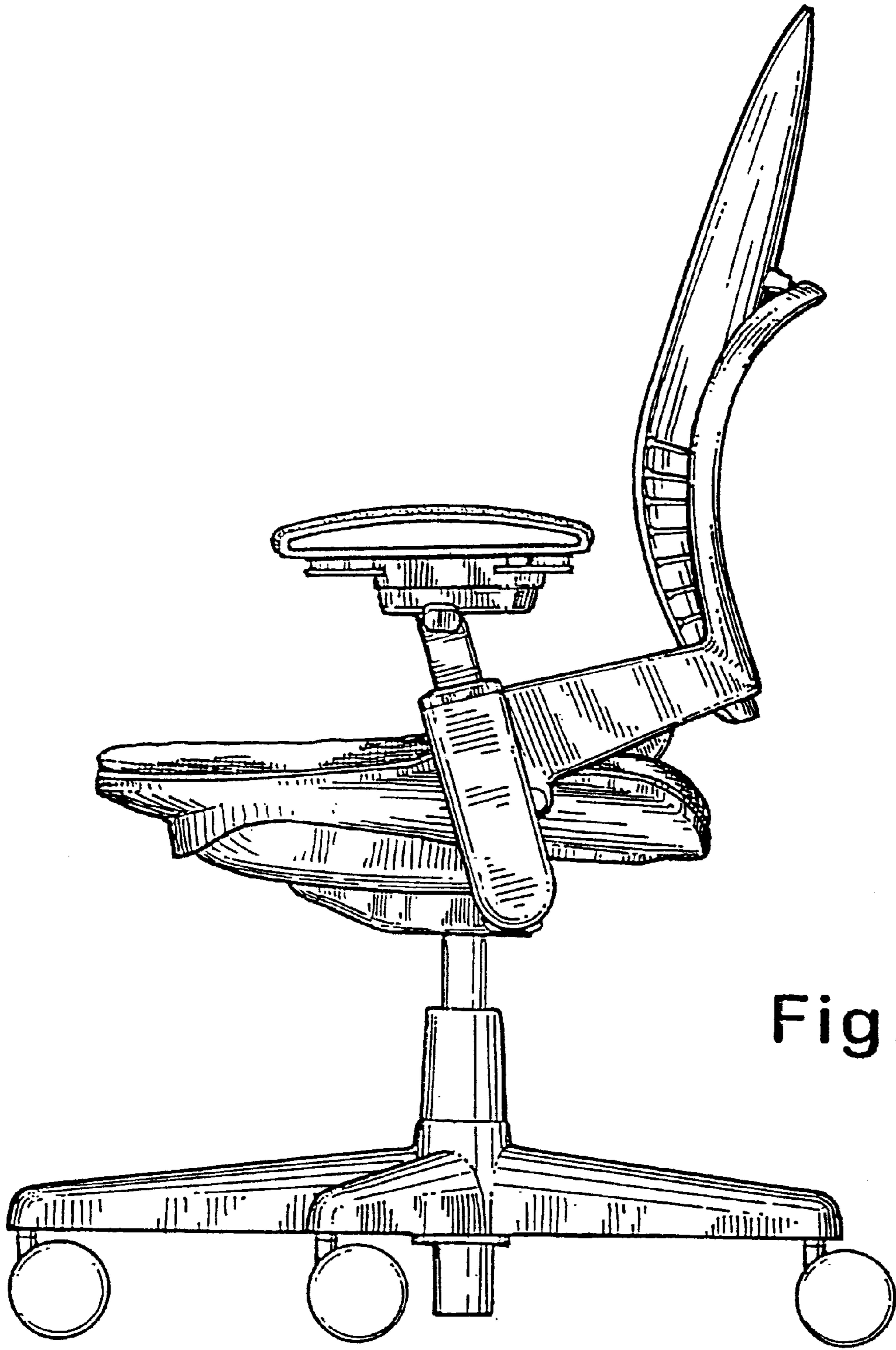


Fig. 11

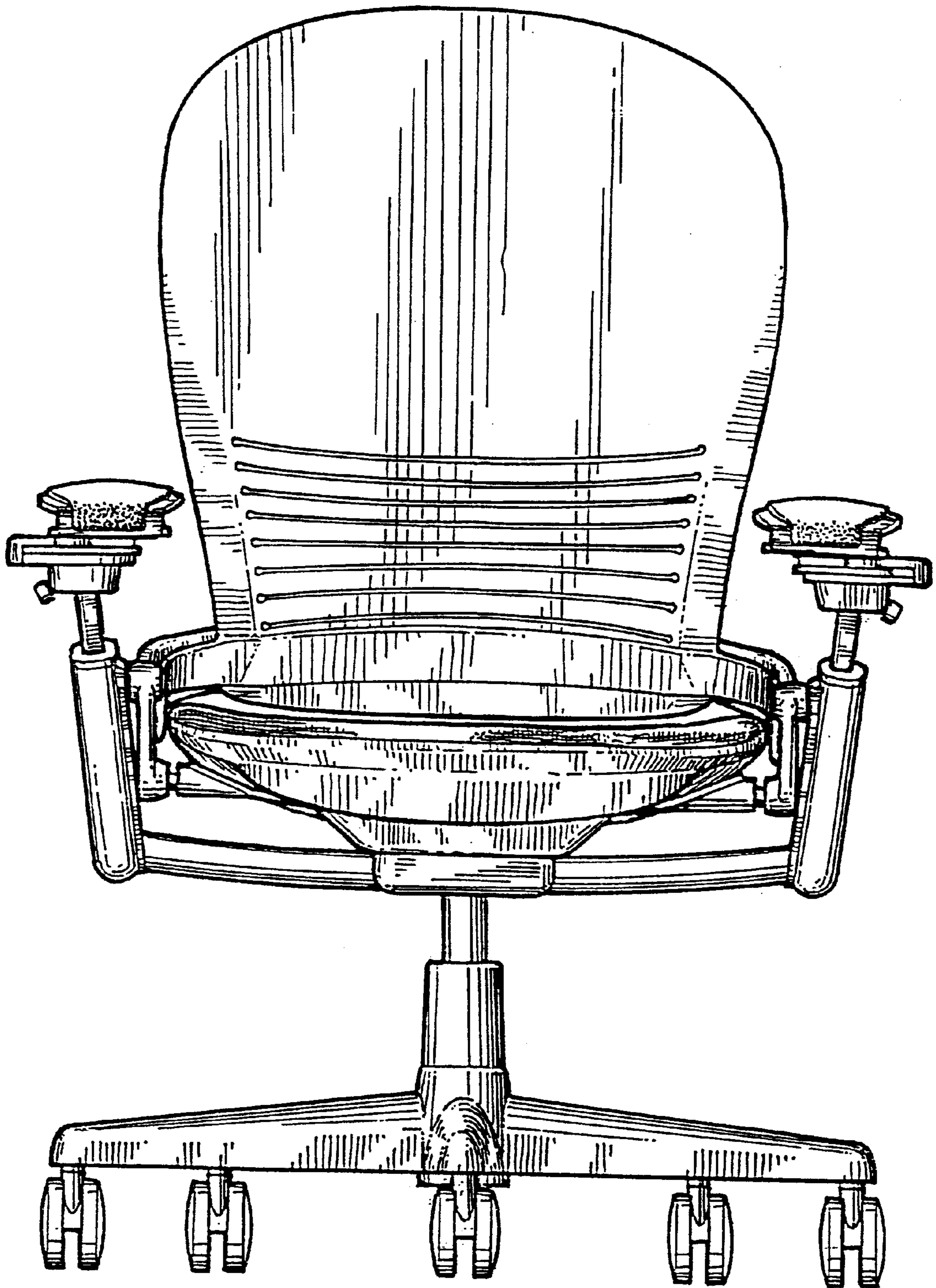


Fig. 12

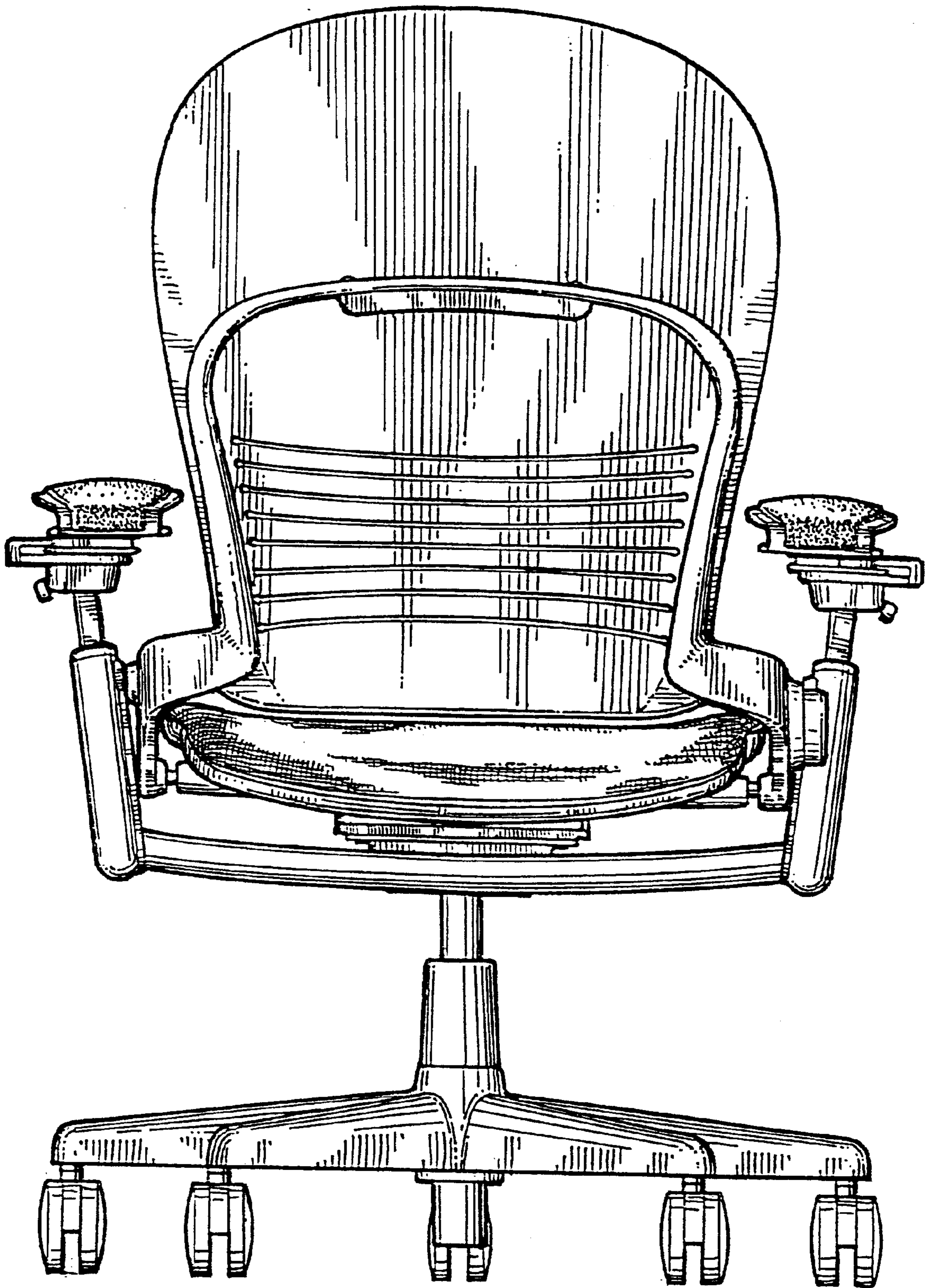


Fig. 13

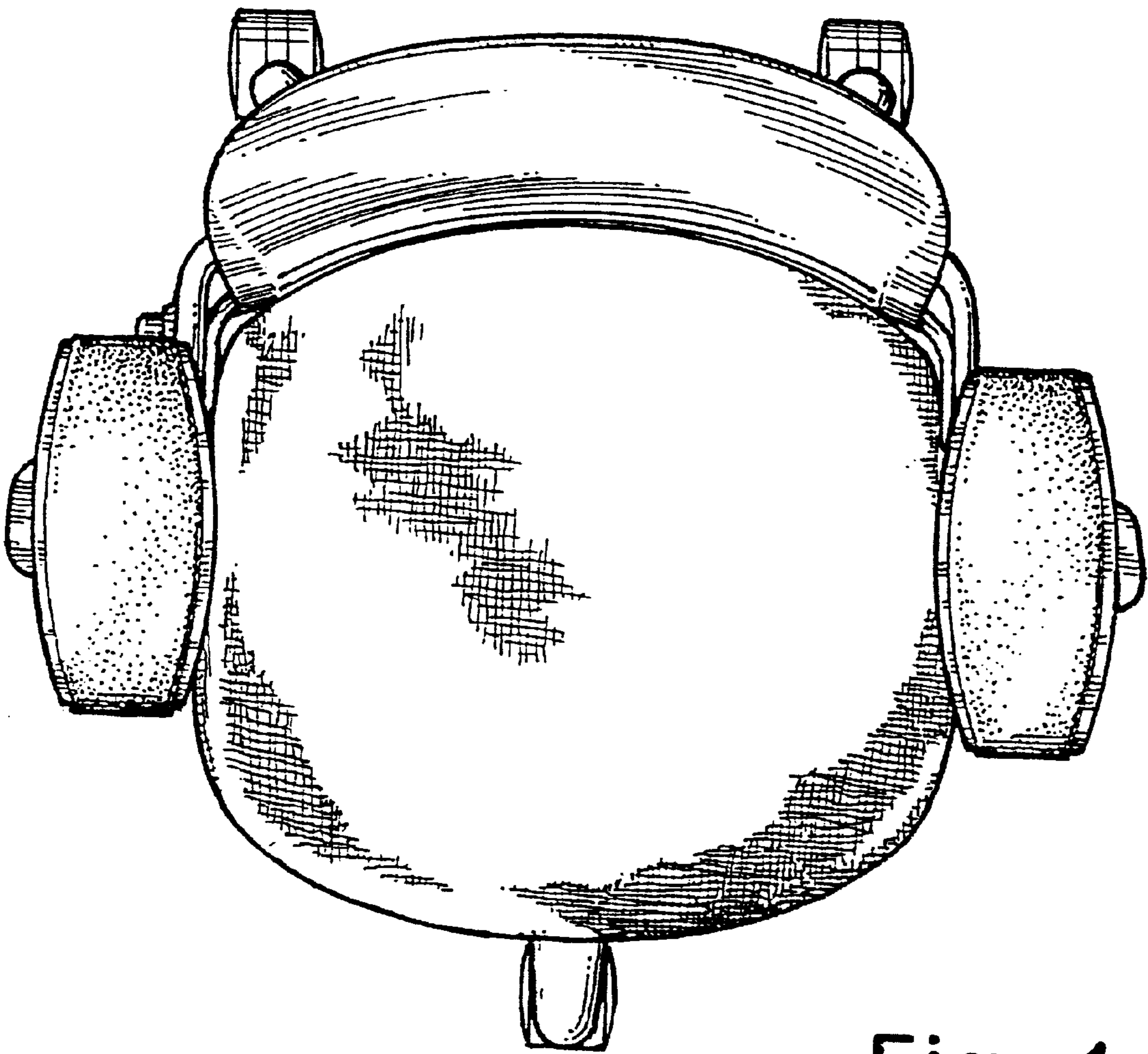


Fig. 14