



US00D442789S

(12) **United States Design Patent**  
**Presnell et al.**

(10) **Patent No.:** **US D442,789 S**

(45) **Date of Patent:** **\*\* May 29, 2001**

(54) **HIGH CHAIR**

(75) Inventors: **Donald C. Presnell; David M. Dobersztyn**, both of Stephens City, VA (US)

(73) Assignee: **Rubbermaid Commercial Products LLC**, Winchester, VA (US)

(\*\*) Term: **14 Years**

(21) Appl. No.: **29/121,827**

(22) Filed: **Apr. 14, 2000**

(51) **LOC (7) Cl.** ..... **06-01**

(52) **U.S. Cl.** ..... **D6/339**

(58) **Field of Search** ..... D6/333, 335, 336, D6/338, 339, 500-502, 511; 297/130, 148-154, 250.1, 344.14, 118

(56) **References Cited**

**U.S. PATENT DOCUMENTS**

- D. 327,180 6/1992 Fonville .
- D. 344,189 2/1994 Golenz et al. .
- D. 364,746 \* 12/1995 Lerner et al. .... D6/339
- D. 365,936 \* 1/1996 Haut et al. .... D6/339
- D. 366,967 \* 2/1996 Meeker et al. .... D6/339
- D. 368,593 4/1996 Cone, II .
- D. 386,911 12/1997 Perego .
- D. 393,372 4/1998 Turner .
- D. 428,715 \* 8/2000 Brevi ..... D6/339
- 3,633,242 \* 1/1972 Wasofsky .
- 3,987,875 \* 10/1976 Szabo .
- 4,053,129 \* 10/1977 Graff .
- 4,082,349 4/1978 Ballenger .
- 4,339,842 \* 7/1982 Fontana et al. .
- 4,582,359 4/1986 Wise et al. .
- 4,700,430 \* 10/1987 Raftery .
- 4,731,900 \* 3/1988 Frobose .
- 4,763,868 \* 8/1988 Teich .
- 5,001,808 \* 3/1991 Chung .
- 5,332,241 \* 7/1994 Rho ..... 297/344.14
- 5,347,682 \* 9/1994 Edgerton, Jr. .
- 5,806,922 \* 9/1998 Mendelovich ..... 297/130
- 5,810,432 9/1998 Haut et al. .

- 5,820,207 \* 10/1998 Wang ..... 297/148
- 5,823,615 10/1998 Haut .
- 5,992,932 \* 11/1999 Kain et al. .... 297/153
- 6,010,184 \* 1/2000 Lee et al. .... 297/130
- 6,082,814 \* 7/2000 Celestina-Krevh et al. .... 297/130

**OTHER PUBLICATIONS**

Kindercraft Products, Gaychrome Catalog, KidSitter undated.  
 Calico Industries Inc., Calico Industries Catalog, Convertible II High Chairs and High Chairs, p. 74, Apr. 1998.  
 Caddie International, Caddie Resto-Baby, p. 29 undated.  
 Rubbermaid Commercial Products Catalog, Convertible II High Chairs, p. 40, 2000.  
 Prince Castle, Inc., High Chairs undated.  
 Koala Products, Inc., Infant/Toddler High Chair undated.  
 Smart Products, Inc., High Chair undated.

\* cited by examiner

*Primary Examiner*—Doris V. Coles

*Assistant Examiner*—Mimosa De

(74) *Attorney, Agent, or Firm*—Foley & Lardner

(57) **CLAIM**

The ornamental design for a high chair, as shown and described.

**DESCRIPTION**

FIG. 1 is a perspective view of a high chair showing our new design;  
 FIG. 2 is a front elevation view thereof;  
 FIG. 3 is a back elevation view thereof;  
 FIG. 4 is a left-side elevation view thereof;  
 FIG. 5 is a right-side elevation view thereof;  
 FIG. 6 is a top plan view thereof;  
 FIG. 7 is a bottom plan view thereof; and,  
 FIG. 8 is a perspective view of the high chair including a removable tray.  
 The ornamental design which is claimed is shown in solid lines in the drawings. The broken lines in the drawings are for illustrative purposes only and form no part of the claimed design.

**1 Claim, 8 Drawing Sheets**

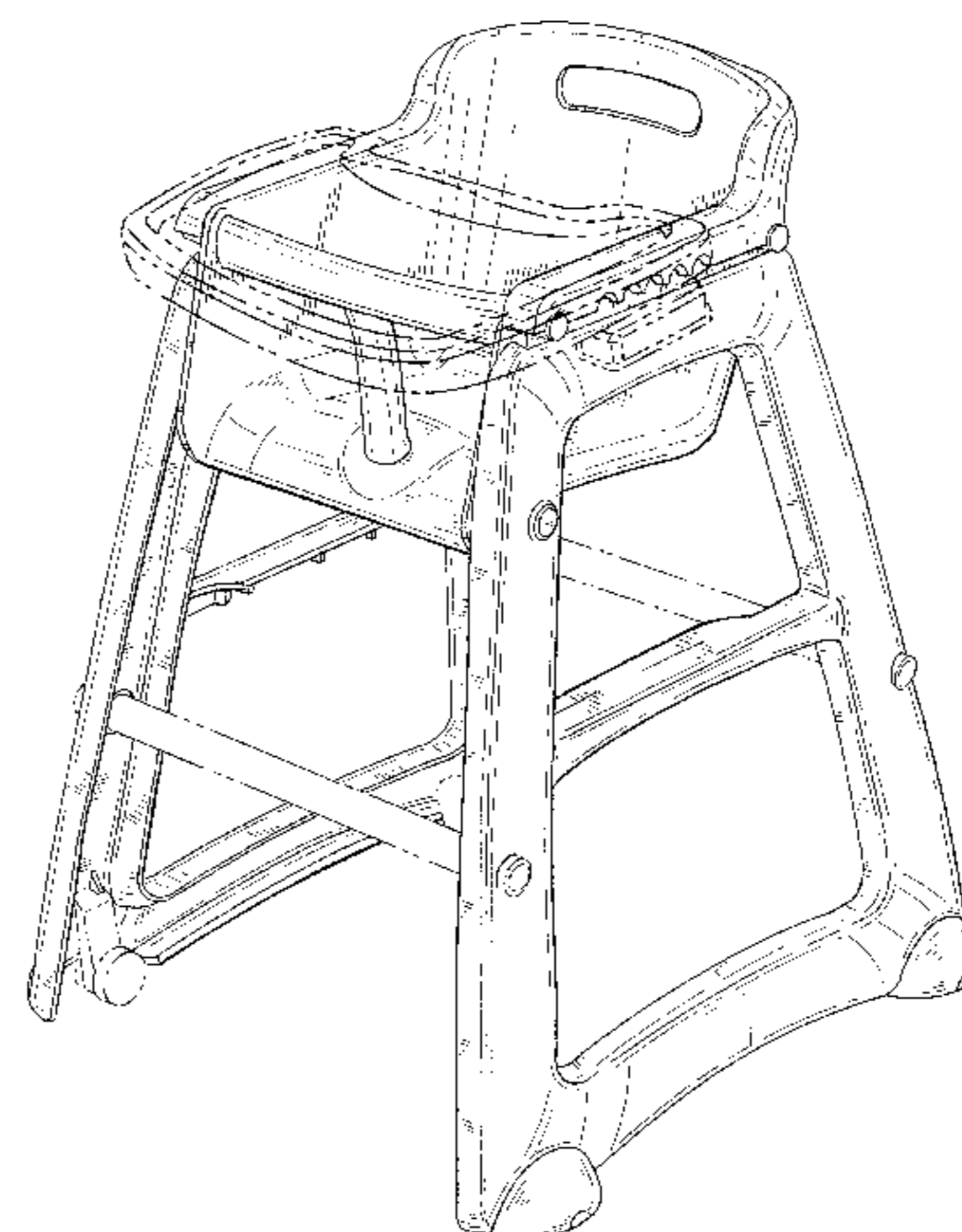
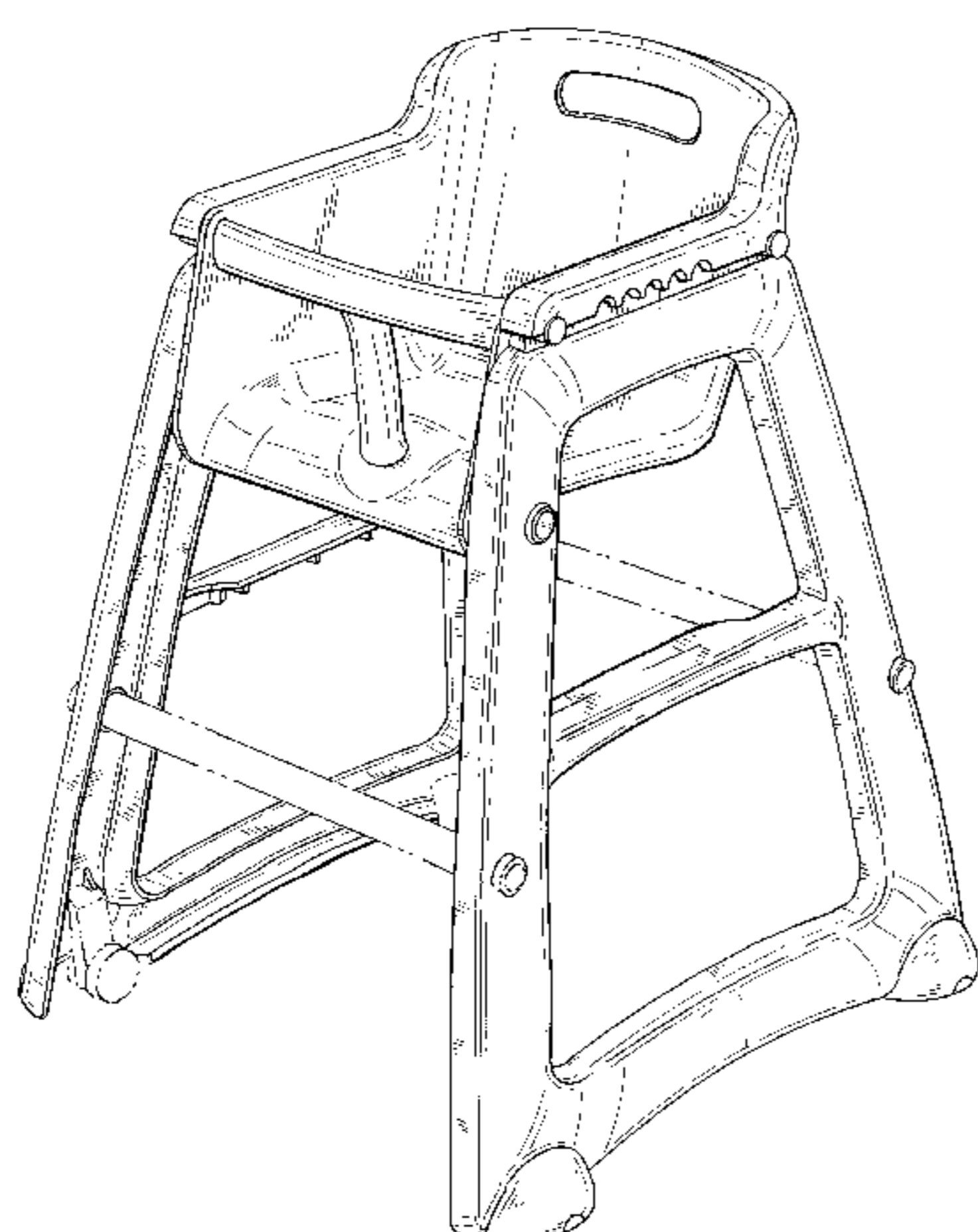


FIG. 1

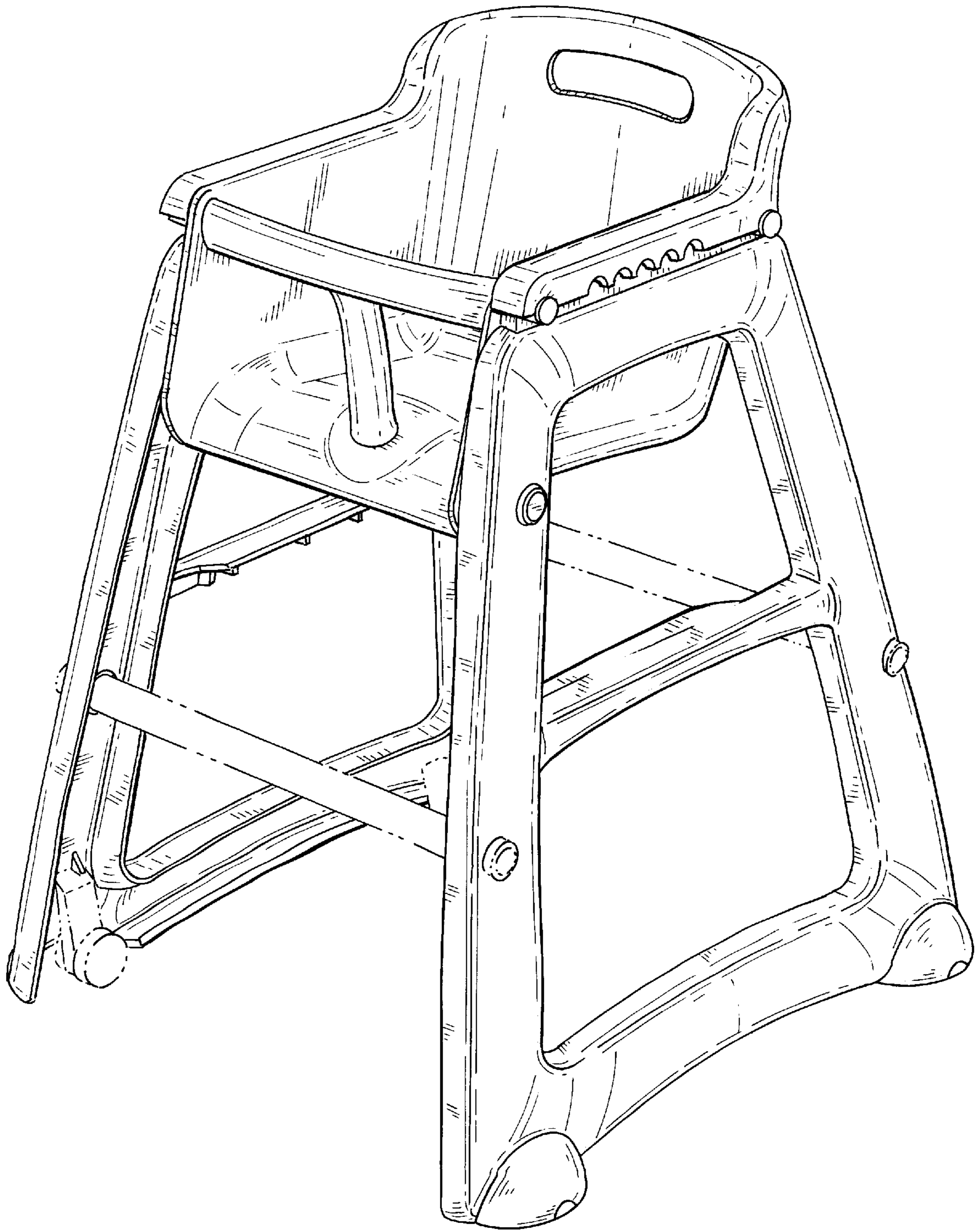


FIG. 2

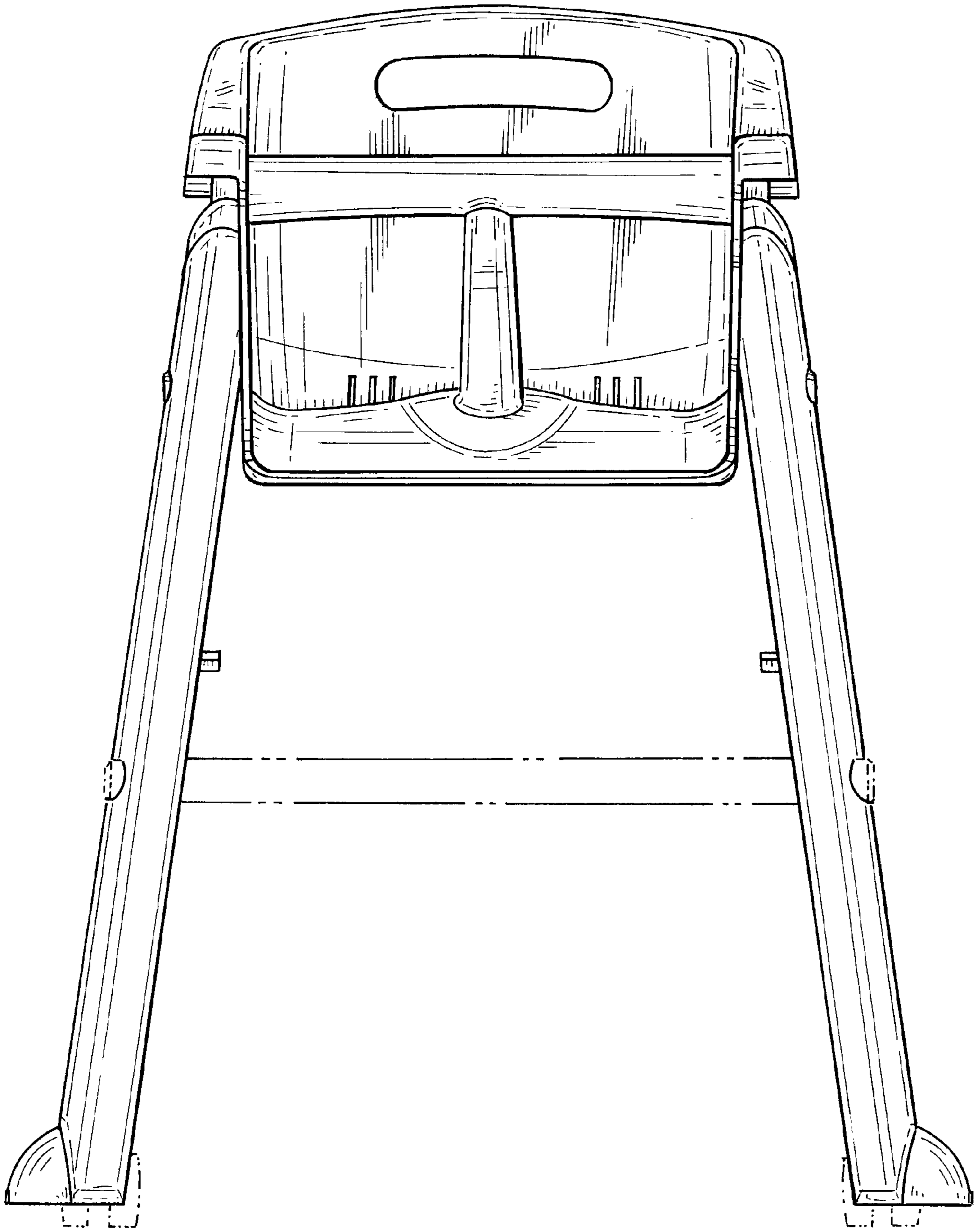


FIG. 3

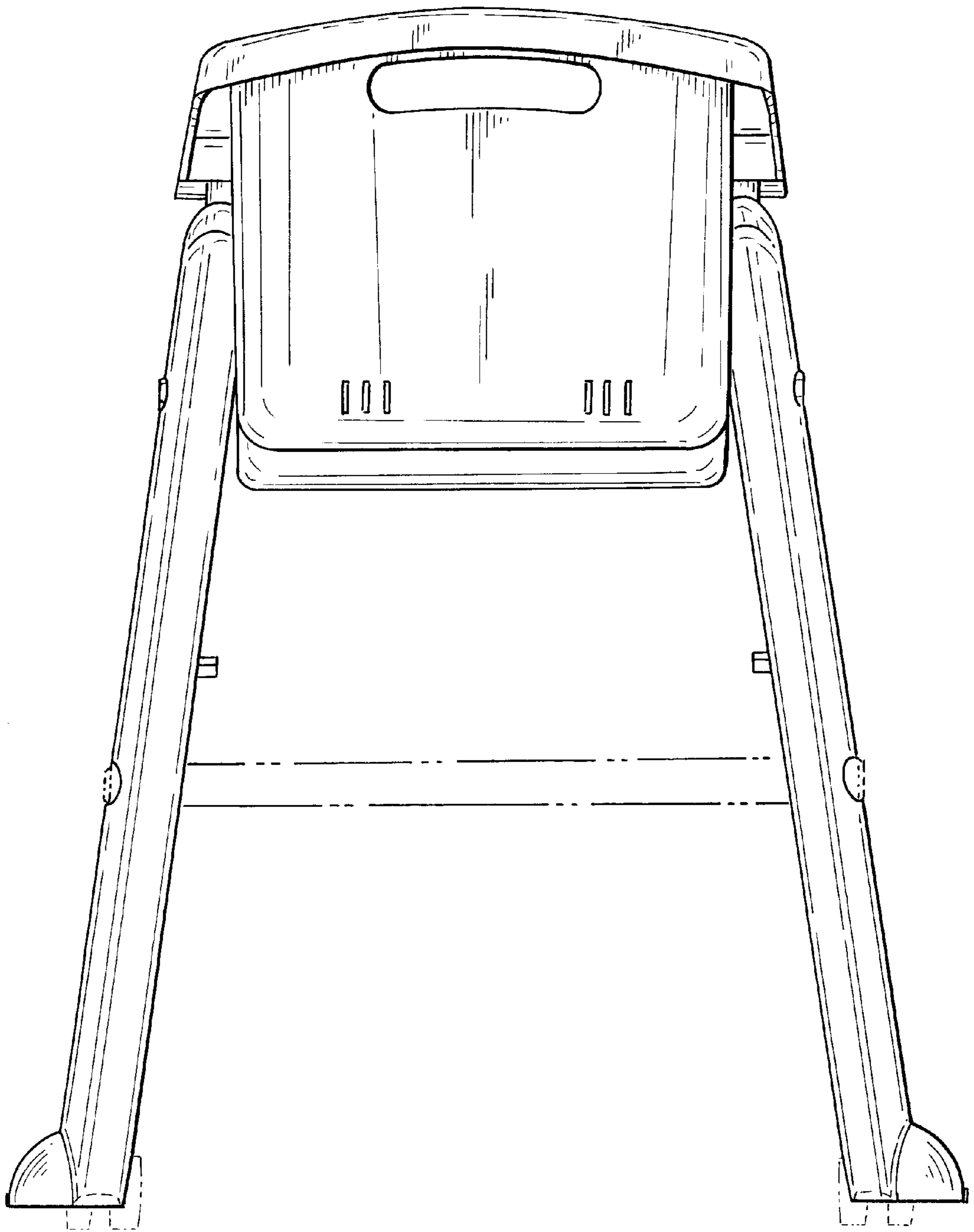


FIG. 4

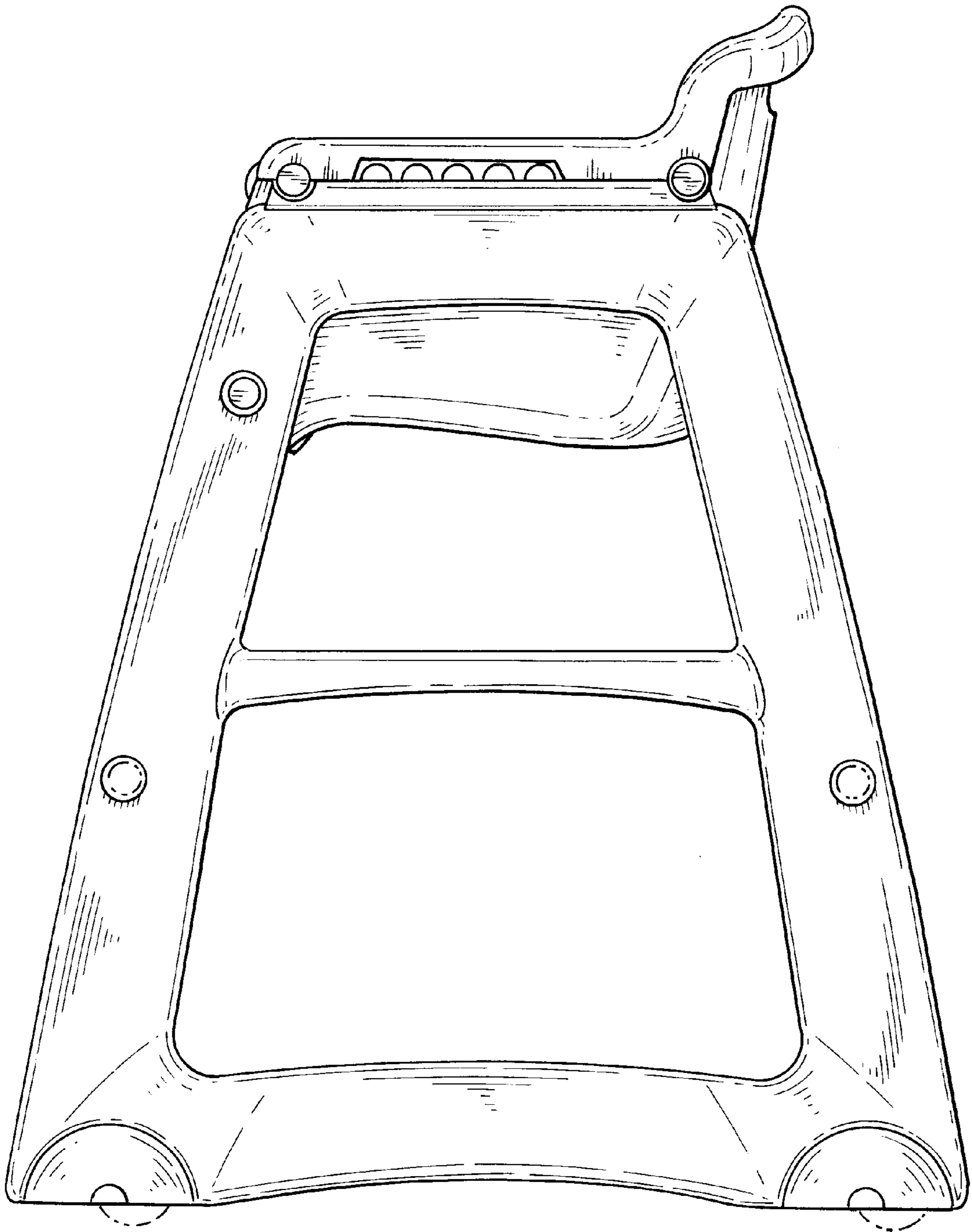


FIG. 5

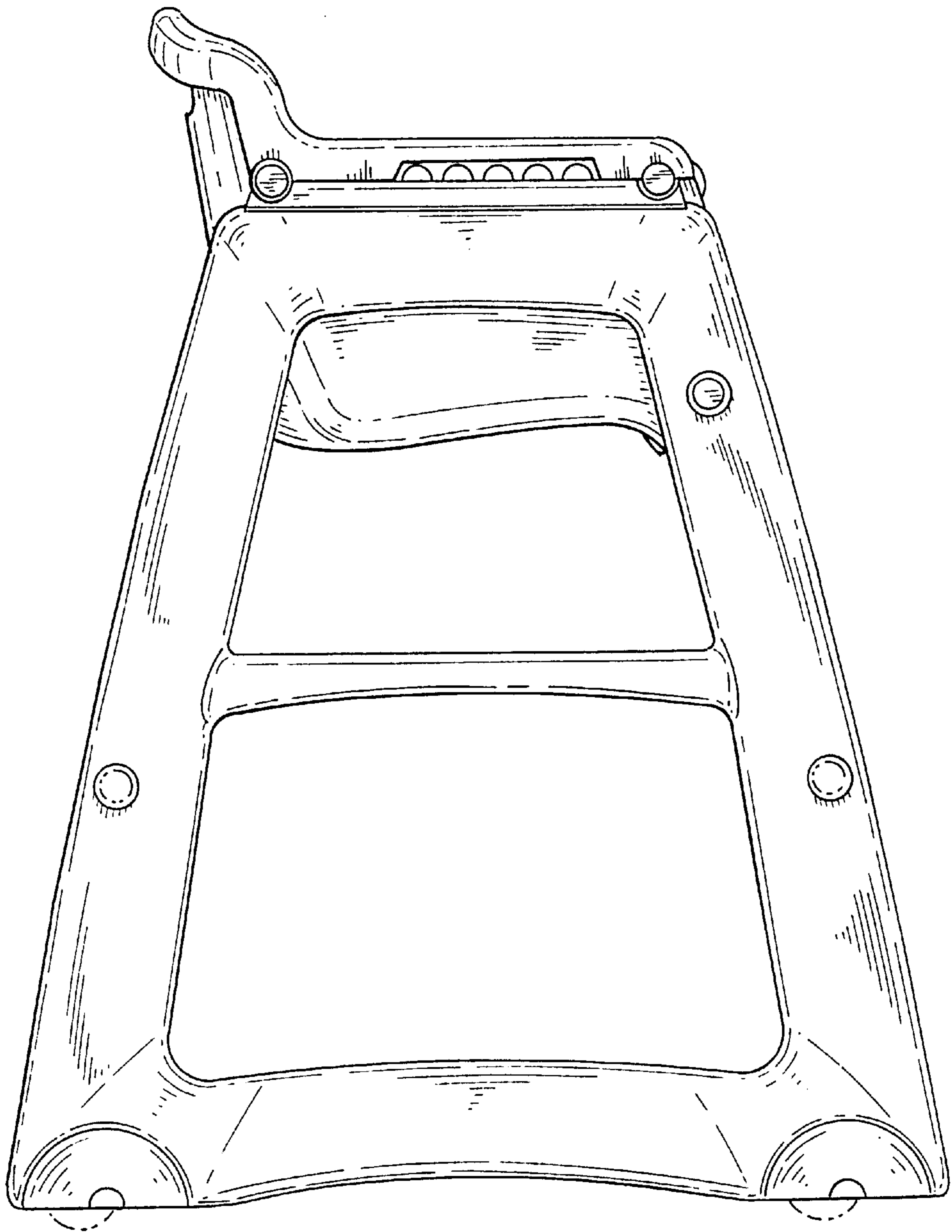


FIG. 6

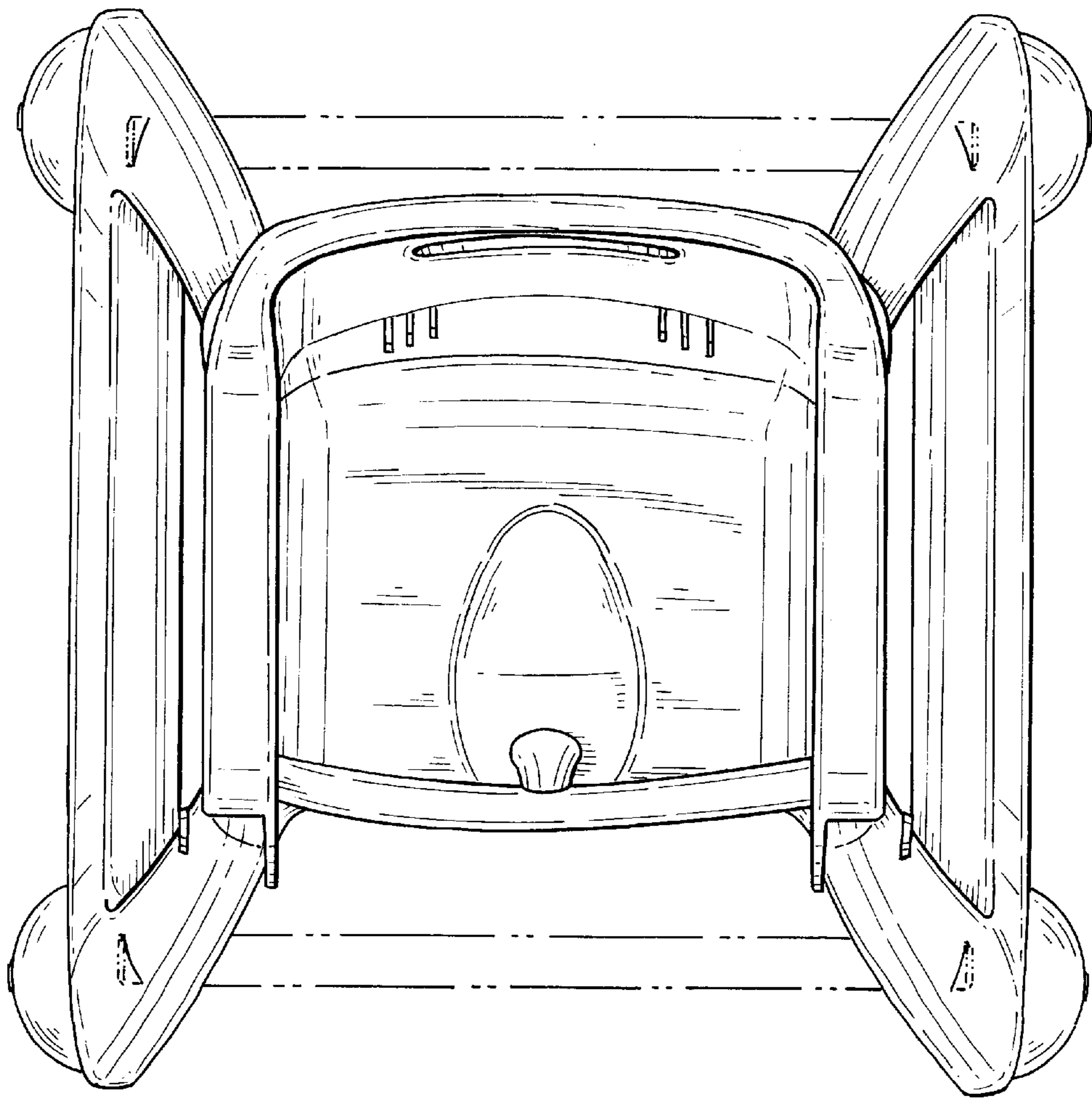


FIG. 7

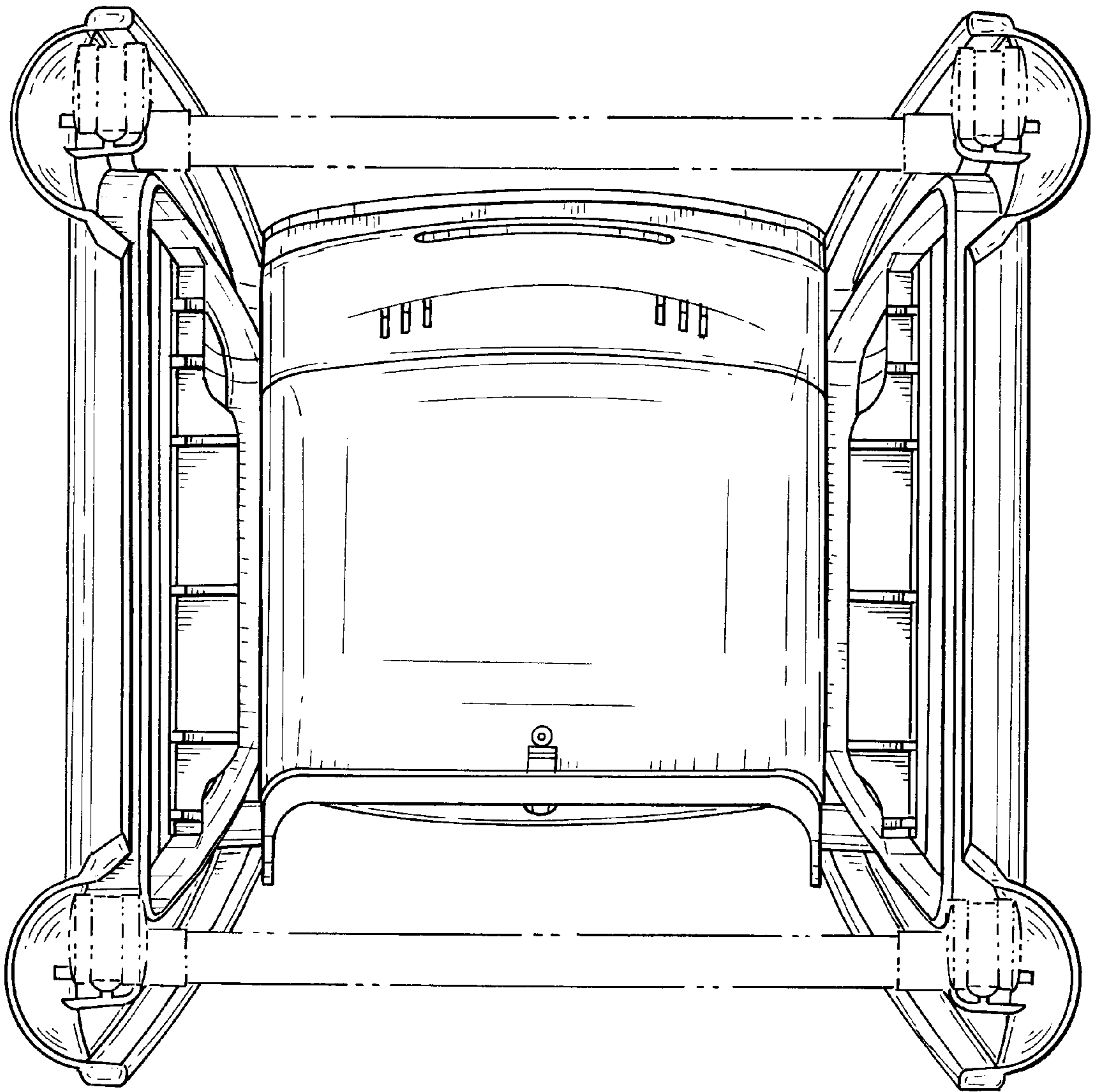




FIG. 8

