



US00D442788S

(12) **United States Design Patent**
Nye et al.

(10) **Patent No.:** **US D442,788 S**

(45) **Date of Patent:** **** May 29, 2001**

- (54) **COMBINED TABLE WITH NESTING BENCHES**
- (75) Inventors: **Stephen F. Nye**, Syracuse; **L. Curtis Strong**, Clearfield, both of UT (US)
- (73) Assignee: **Lifetime Products, Inc.**, Clearfield, UT (US)
- (**) Term: **14 Years**
- (21) Appl. No.: **29/097,006**
- (22) Filed: **Nov. 25, 1998**

Related U.S. Application Data

- (63) Continuation of application No. 09/150,448, filed on Sep. 9, 1998.
- (51) **LOC (7) Cl.** **06-01**
- (52) **U.S. Cl.** **D6/337**
- (58) **Field of Search** D6/334, 337, 381, D6/384, 480, 500, 501, 502; 297/157.1, 158.3, 158.4, 239

3,262,734	*	7/1966	Kuks	297/158.3
3,273,936		9/1966	Deavers	297/159
3,276,815		10/1966	Cardy	297/159
3,574,393		4/1971	Hughes	.	
3,580,632	*	5/1971	Seymour	297/158.4
3,672,719		6/1972	Haukedahl	297/118
3,885,829		5/1975	Haeger	.	
3,994,527		11/1976	Nikitits et al.	297/159
4,047,754	*	9/1977	Cathey	297/158.3
4,052,100		10/1977	Nikitits et al.	297/159
4,064,812		12/1977	Commanda	108/36
4,111,482		9/1978	Jones	297/159
4,131,311		12/1978	Nikitits et al.	297/159
4,330,151	*	5/1982	Healey	297/158.3
4,537,443		8/1985	Bray	.	
4,653,804		3/1987	Yoo et al.	297/159
4,826,244		5/1989	Choi	297/159
4,883,314		11/1989	Sakong	297/159
5,314,231		5/1994	Otterbacher	297/159
5,752,450	*	5/1998	Roesner	297/157.1

FOREIGN PATENT DOCUMENTS

49-3062	10/1967	(JP)	.
48-9858	2/1973	(JP)	.
50-84303U	12/1973	(JP)	.
3025644U	12/1995	(JP)	.

(56) **References Cited**

U.S. PATENT DOCUMENTS

Re. 18,207	9/1931	Soltesz	.	
D. 243,043	*	1/1977	Rogers D6/337
D. 327,779	*	7/1992	Jensen et al. D6/337
D. 369,912	*	5/1996	Noll D6/337
2,109,869		3/1938	Ross 155/123
2,279,122		4/1942	Kovalchuk 311/90
2,452,169		10/1948	Wells 155/123
2,522,642		9/1950	Schmidt 155/124
2,524,198		10/1950	La Rue 155/123
2,568,622	*	9/1951	Hagan D6/337
2,579,934		12/1951	Krasney 311/83
2,647,562		8/1953	Hoffar 155/124
2,721,778	*	10/1955	Wilson 297/158.4
2,748,837		6/1956	Beller 155/124
2,752,987		7/1956	Smithers 155/124
2,811,197		10/1957	Nimmo 155/124
2,825,390		3/1958	Post 155/124
3,028,197	*	4/1962	Wilson 297/239

OTHER PUBLICATIONS

“Portable Table and Chair Set” informational brochure, Brookstone®, Nashua, New Hampshire, undated.

* cited by examiner

Primary Examiner—Doris V. Coles
Assistant Examiner—Mimosa De
(74) *Attorney, Agent, or Firm*—Madson & Metcalf

(57) **CLAIM**

The ornamental design for a combined table with nesting benches, as shown and described.

DESCRIPTION

FIG. 1 is a perspective view of a combined table with nesting benches showing a first preferred embodiment of our new design;

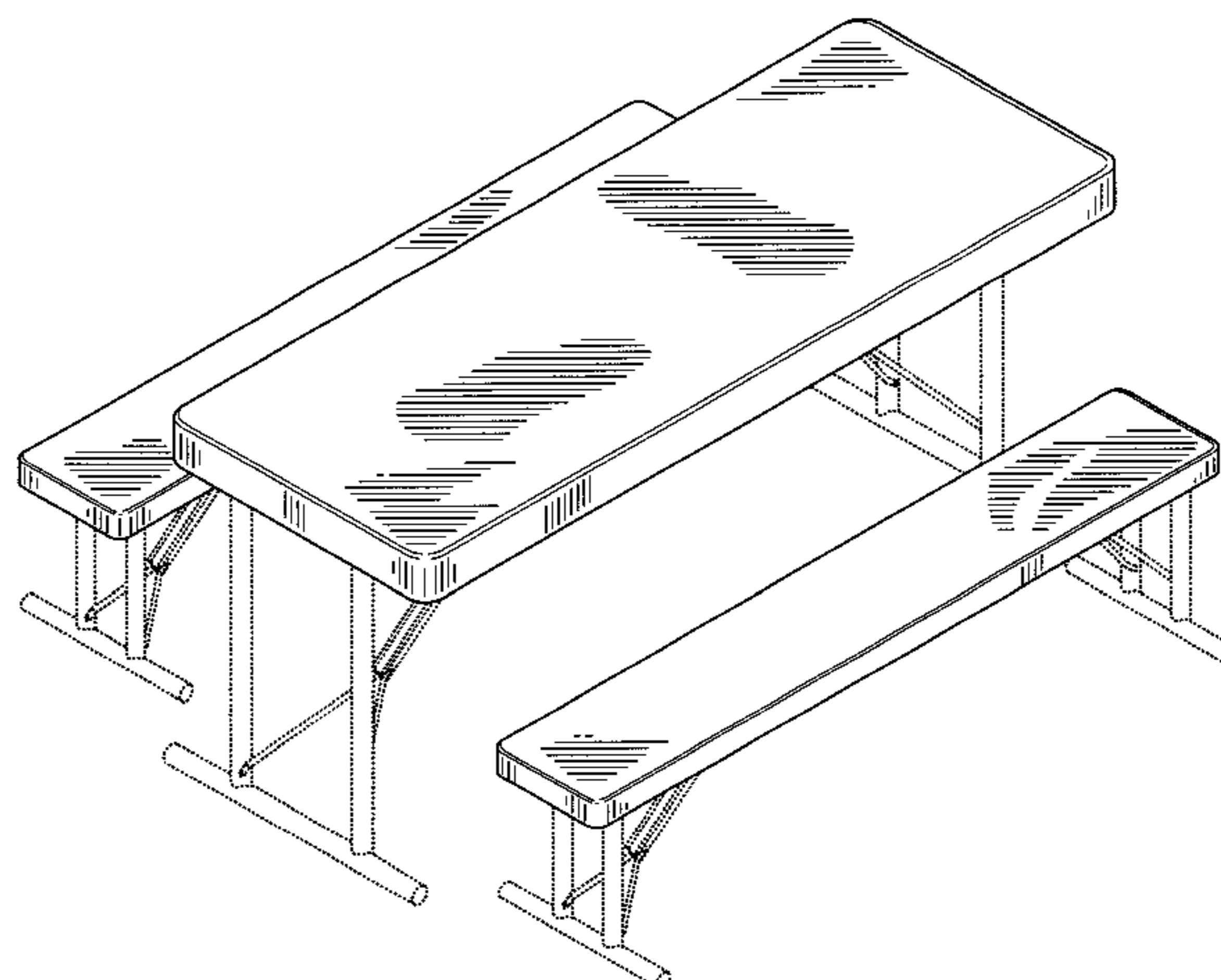


FIG. 2 is a right side elevational view of the embodiment of FIG. 1;

FIG. 3 is a left side elevational view of the embodiment of FIG. 1;

FIG. 4 is a front elevational view of the embodiment of FIG. 1;

FIG. 5 is a rear elevational view of the embodiment of FIG. 1;

FIG. 6 is a top plan view of the embodiment of FIG. 1;

FIG. 7 is a bottom plan view of the embodiment of FIG. 1;

FIG. 8 is a perspective view of the combined table with nesting benches of FIG. 1 showing one bench deployed and one bench nested in relation to the table;

FIG. 9 is right side elevational view of FIG. 8;

FIG. 10 is a left side elevational view of FIG. 8;

FIG. 11 is a front elevational view of FIG. 8;

FIG. 12 is a rear elevational view of FIG. 8;

FIG. 13 is a top plan view of FIG. 8;

FIG. 14 is a bottom perspective view of FIG. 8; and,

FIG. 15 is a bottom perspective view of the combined table with nesting benches of FIG. 1 showing both benches nested in relation to the table and with the legs in folded condition.

The broken line showing of the structure in the drawing is for illustrative purposes only and forms no part of the claimed design.

1 Claim, 11 Drawing Sheets

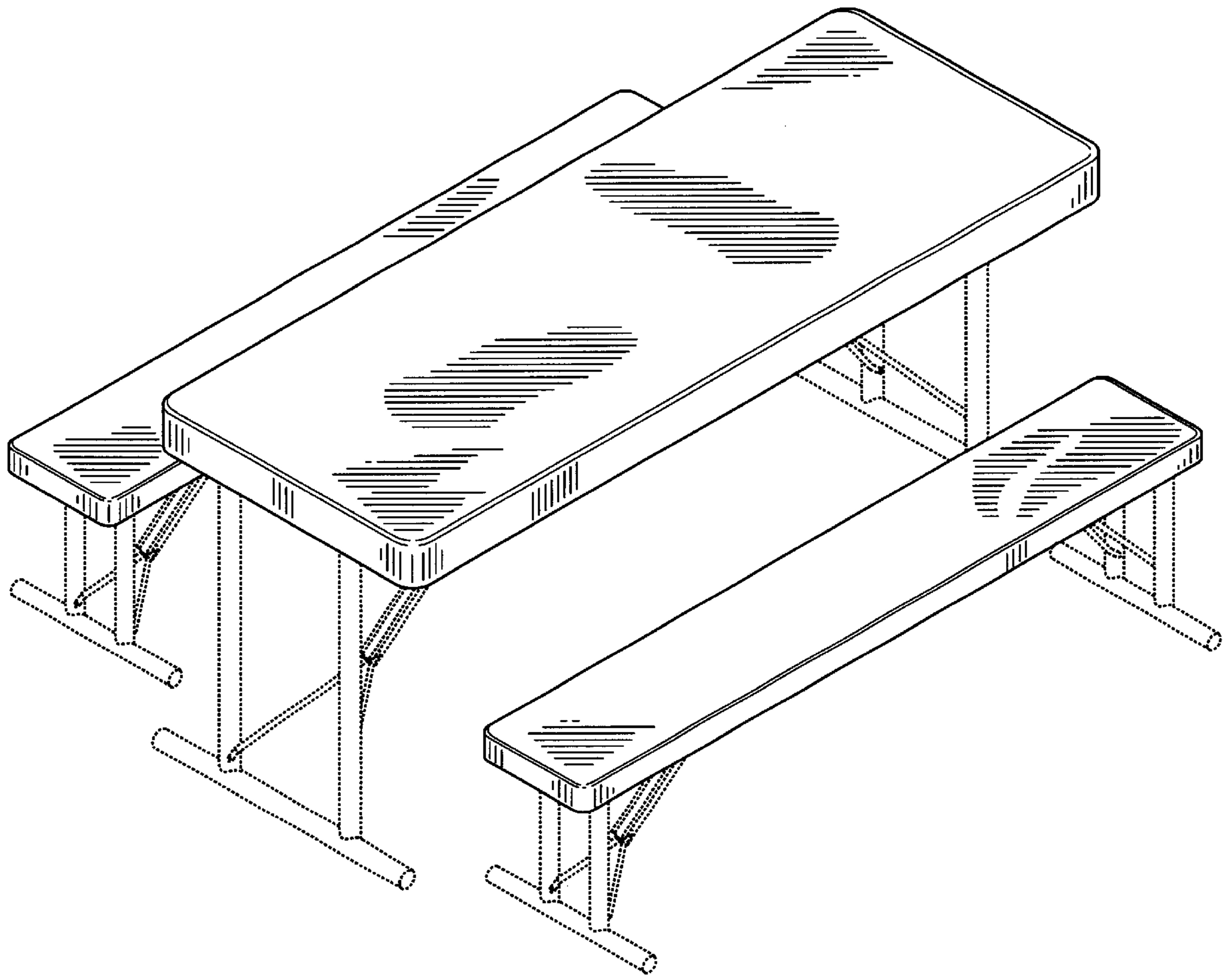


Fig. 1

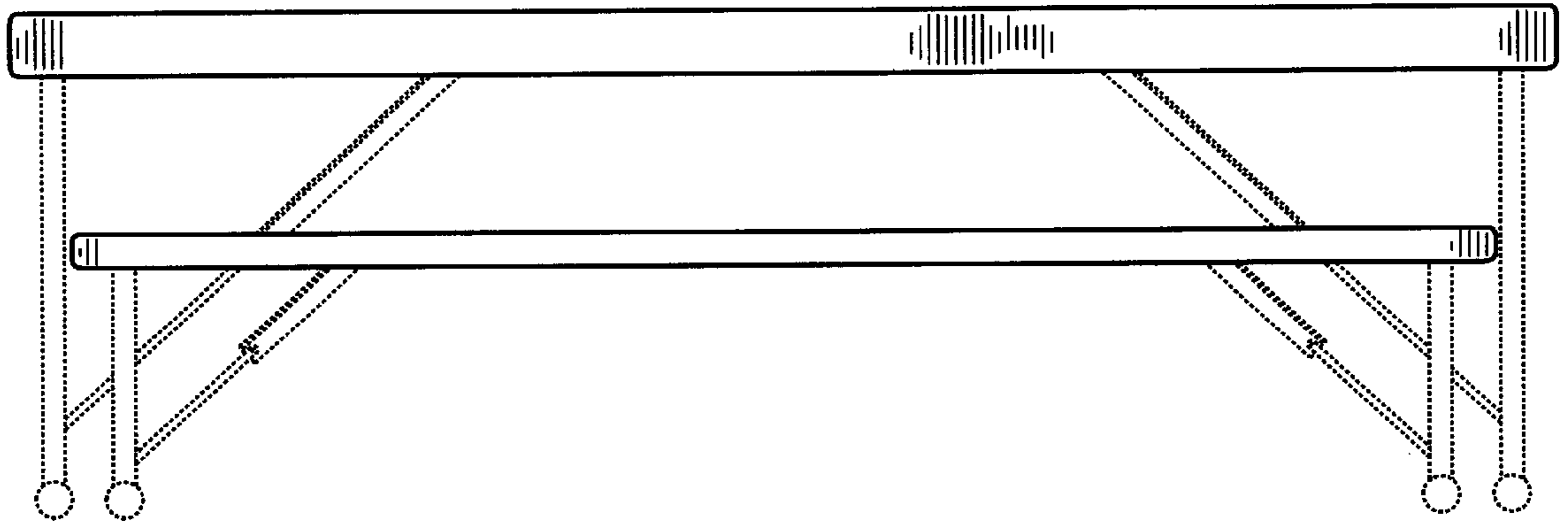


Fig. 2

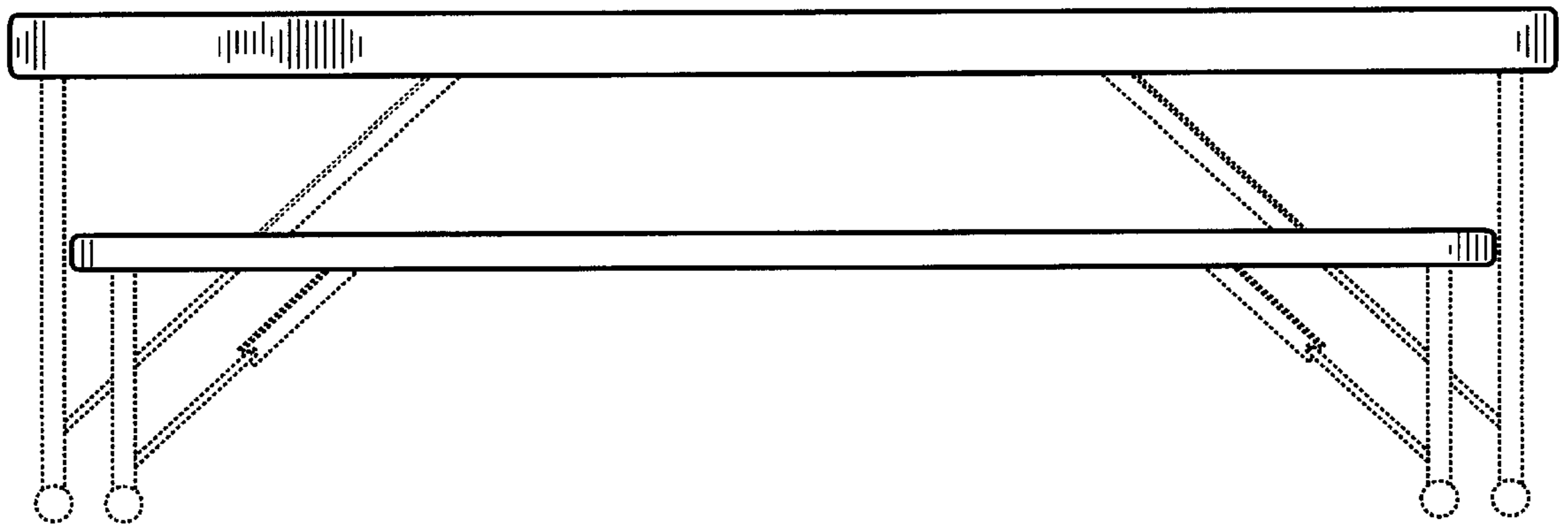


Fig. 3

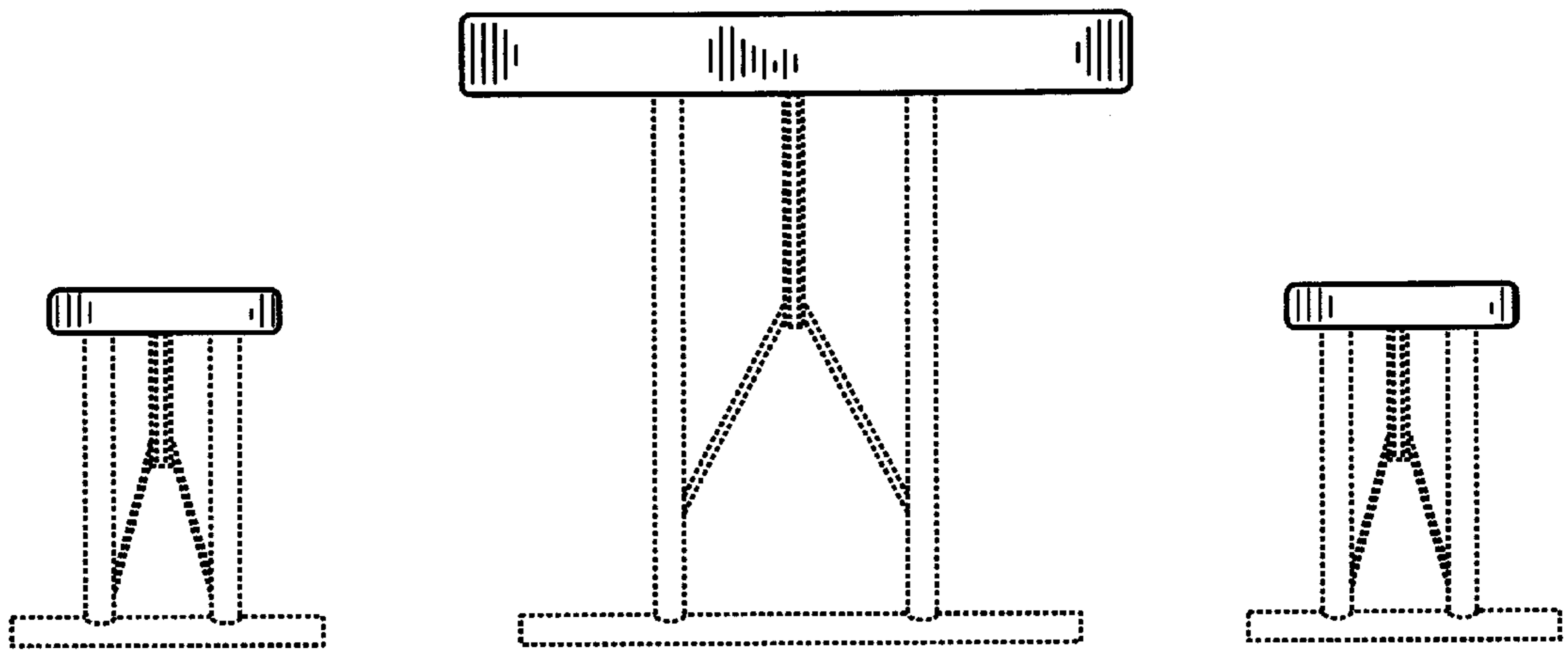


Fig. 4

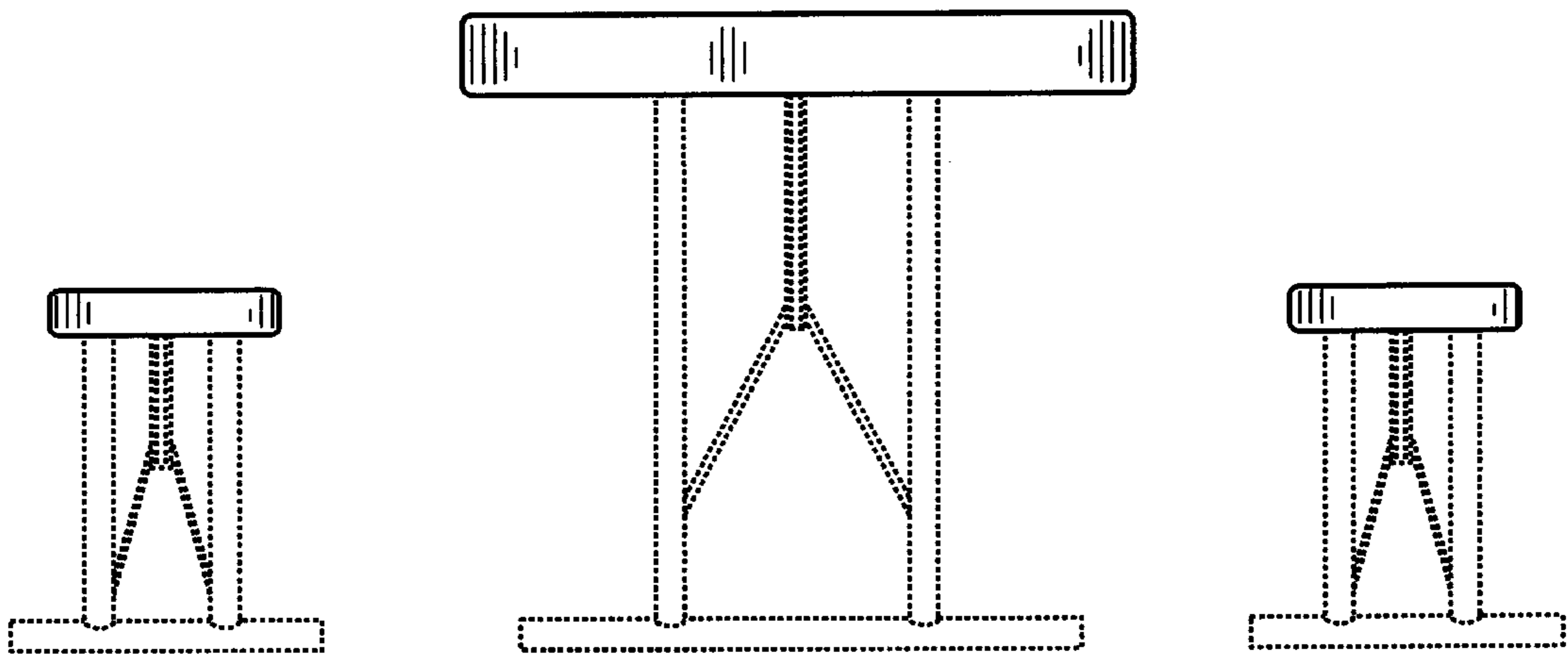


Fig. 5

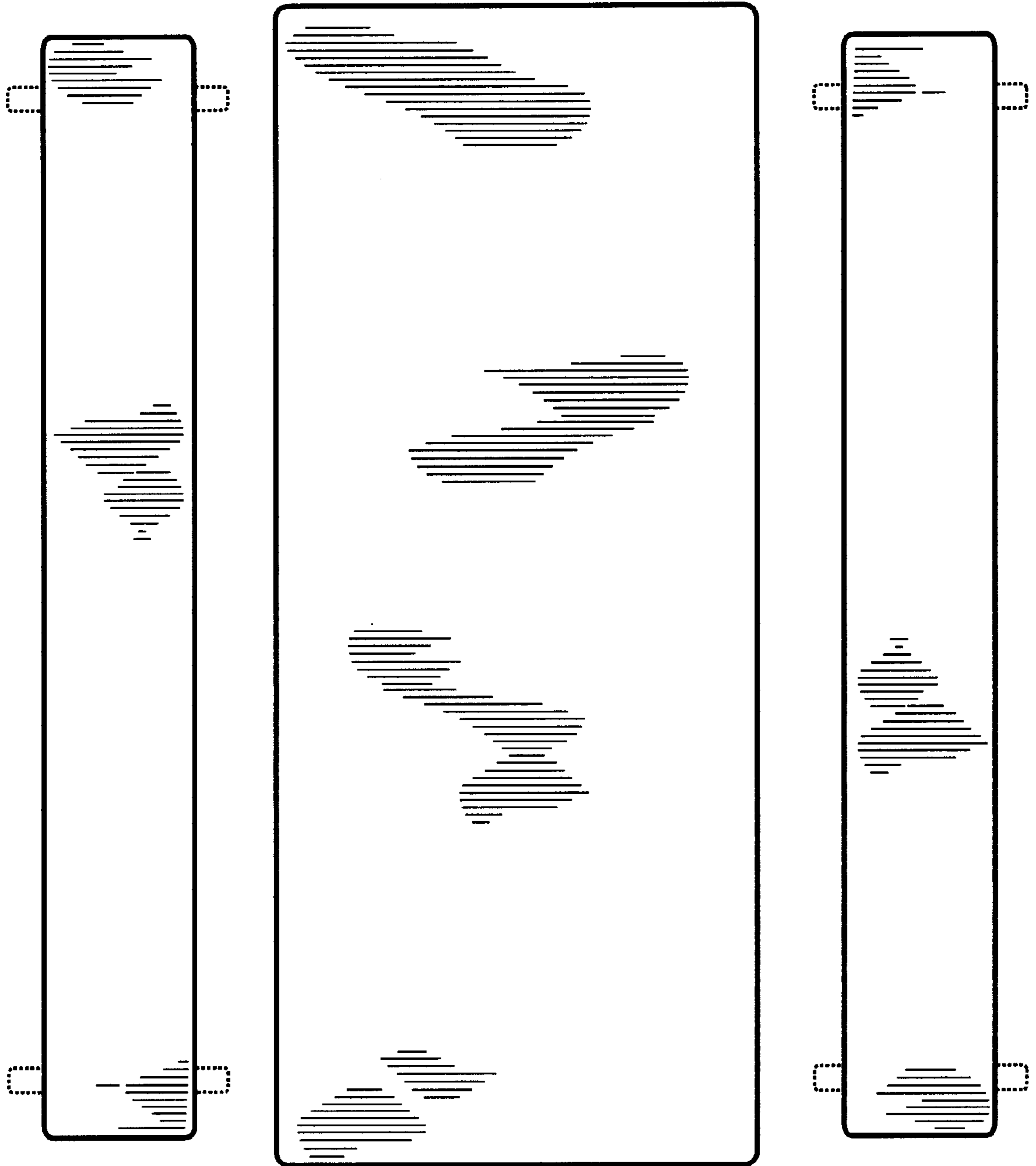


Fig. 6

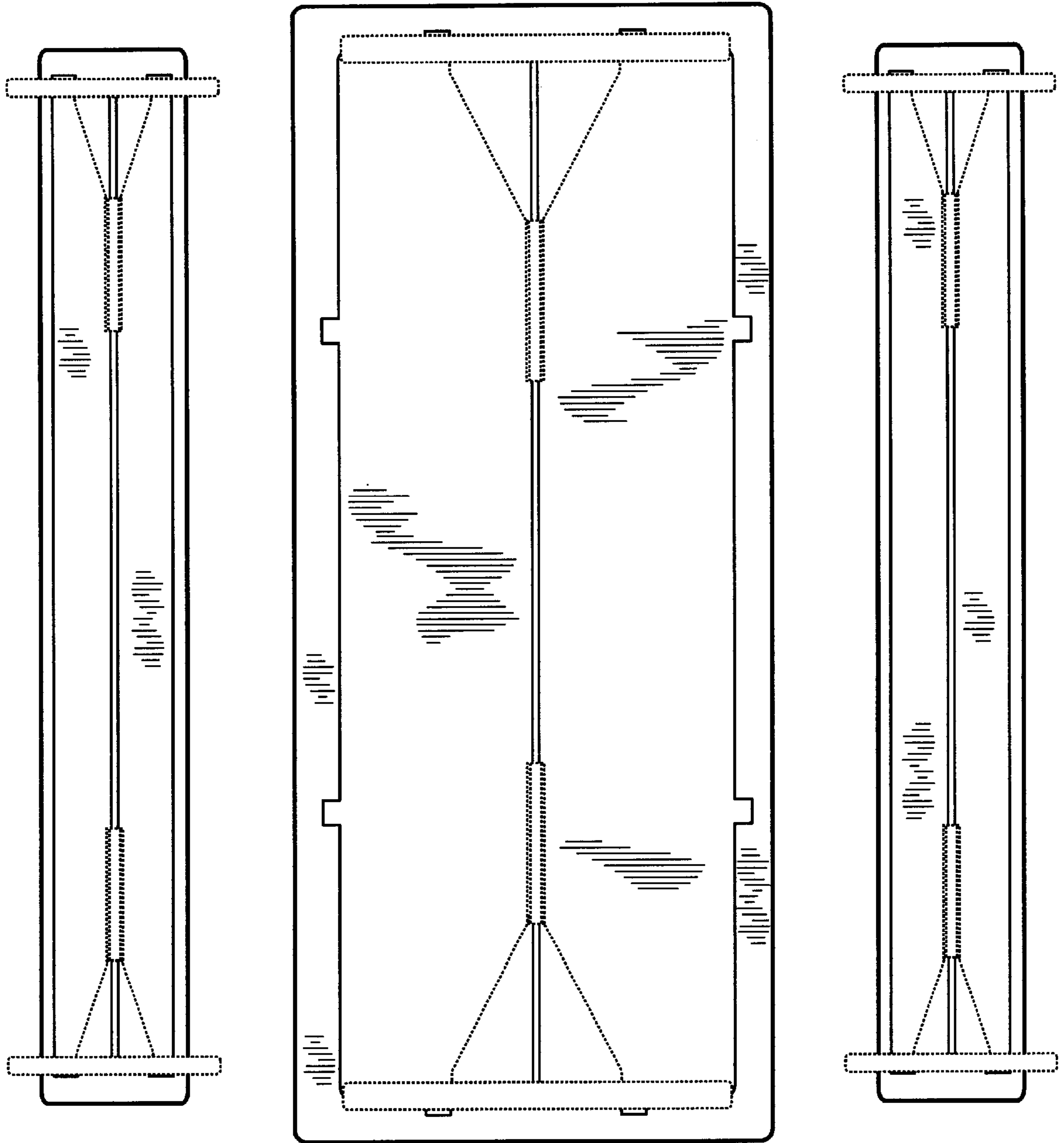


Fig. 7

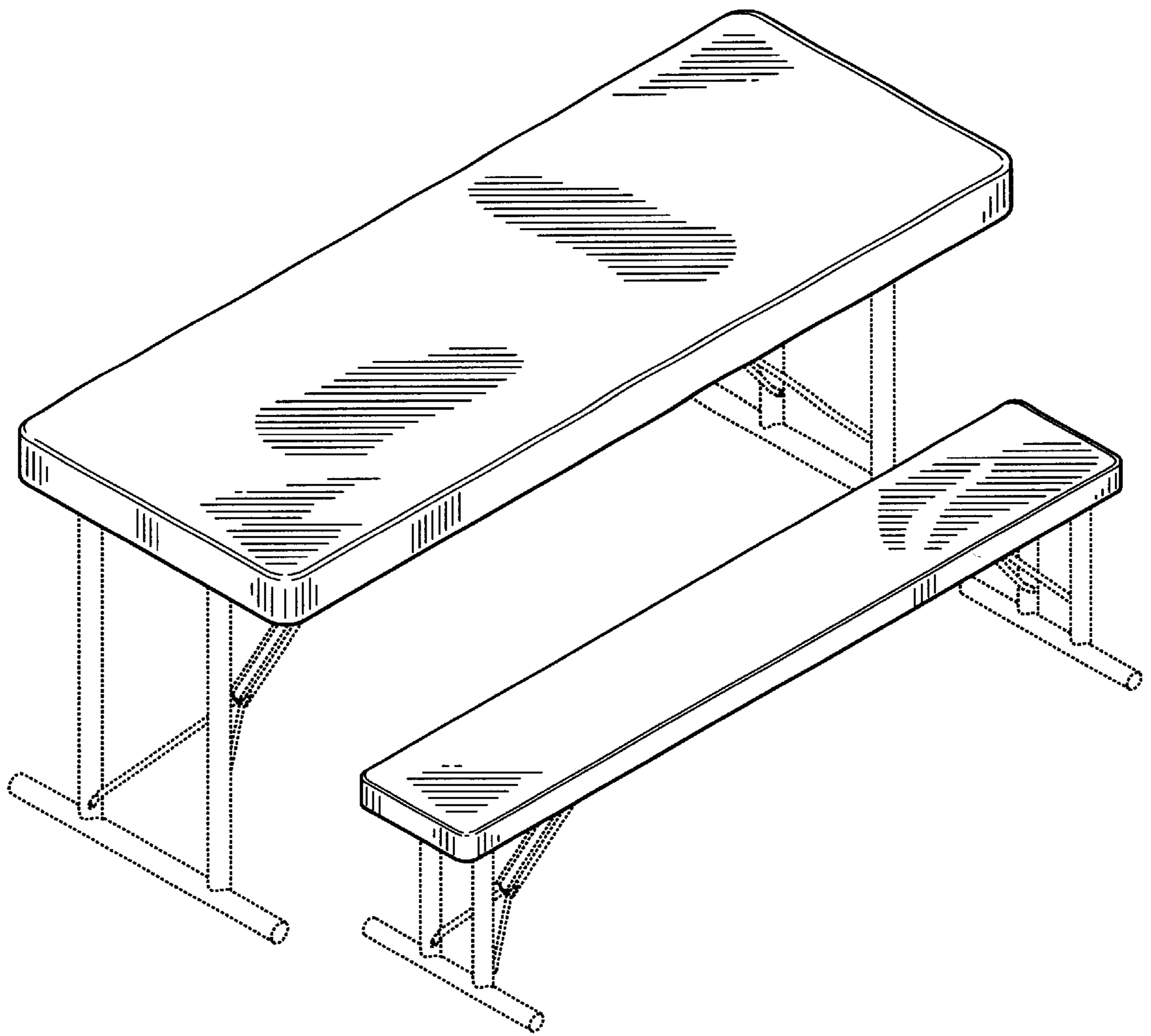


Fig. 8

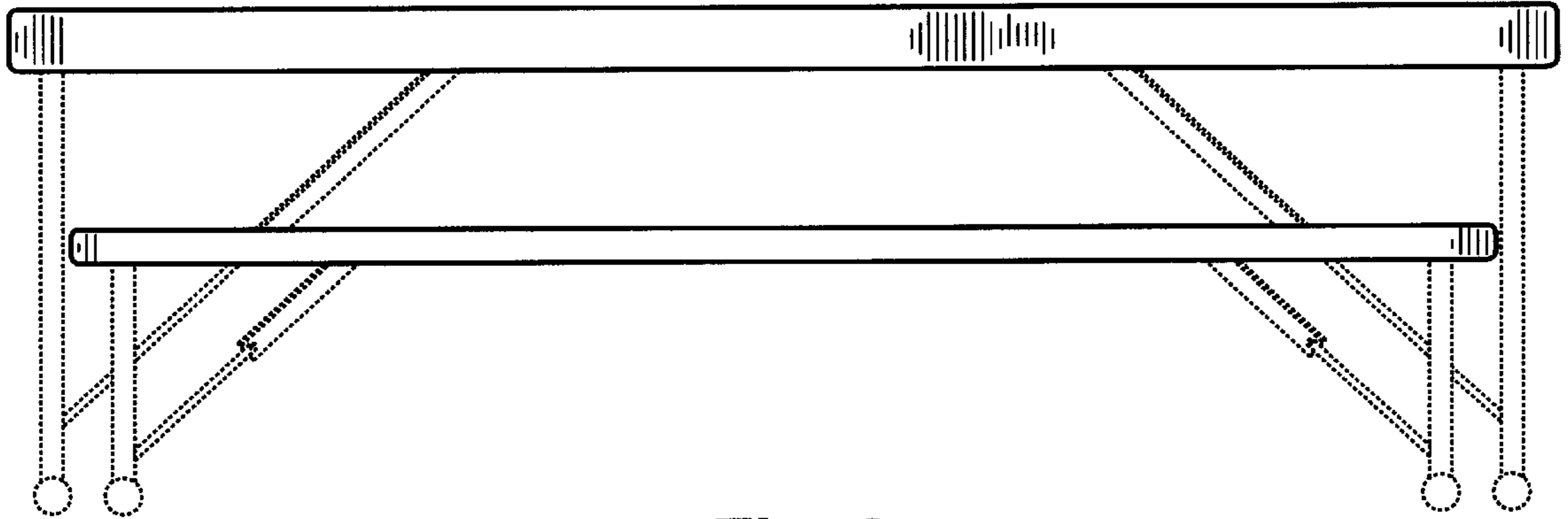


Fig. 9

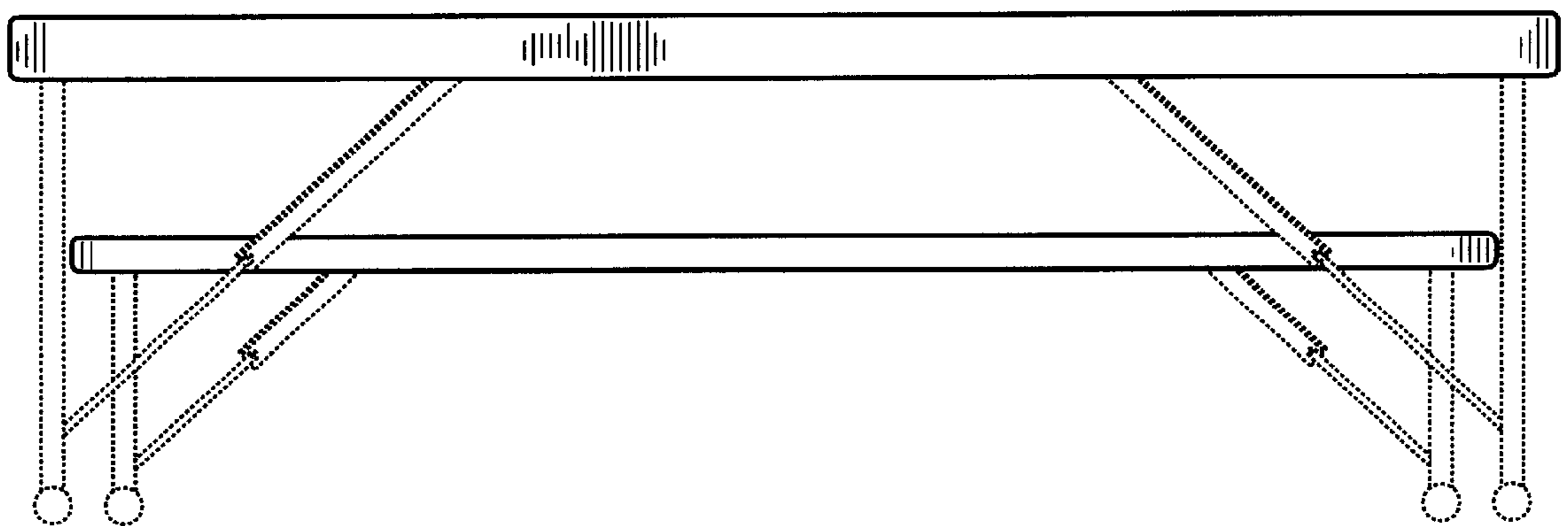


Fig. 10

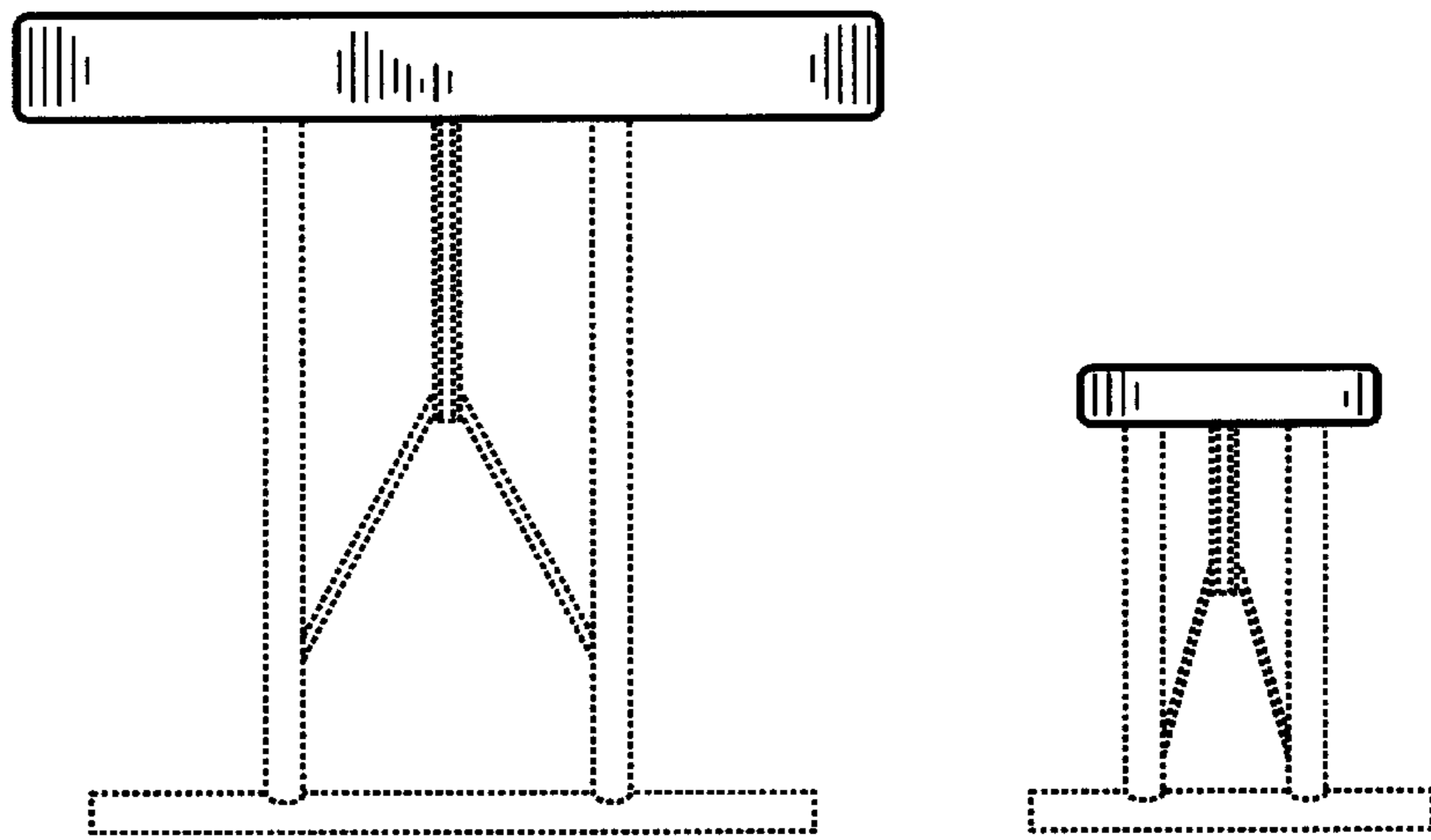


Fig. 11

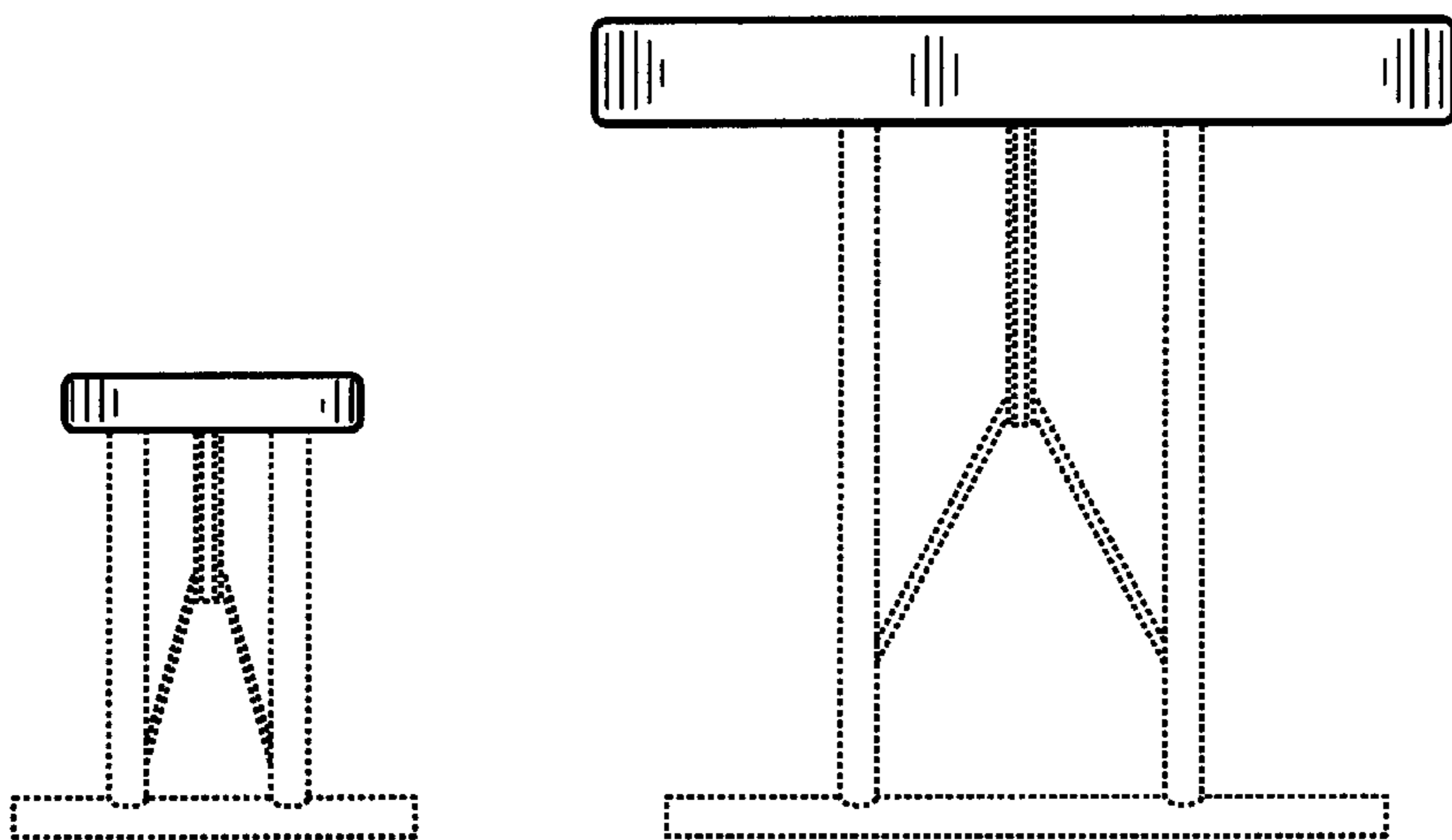


Fig. 12

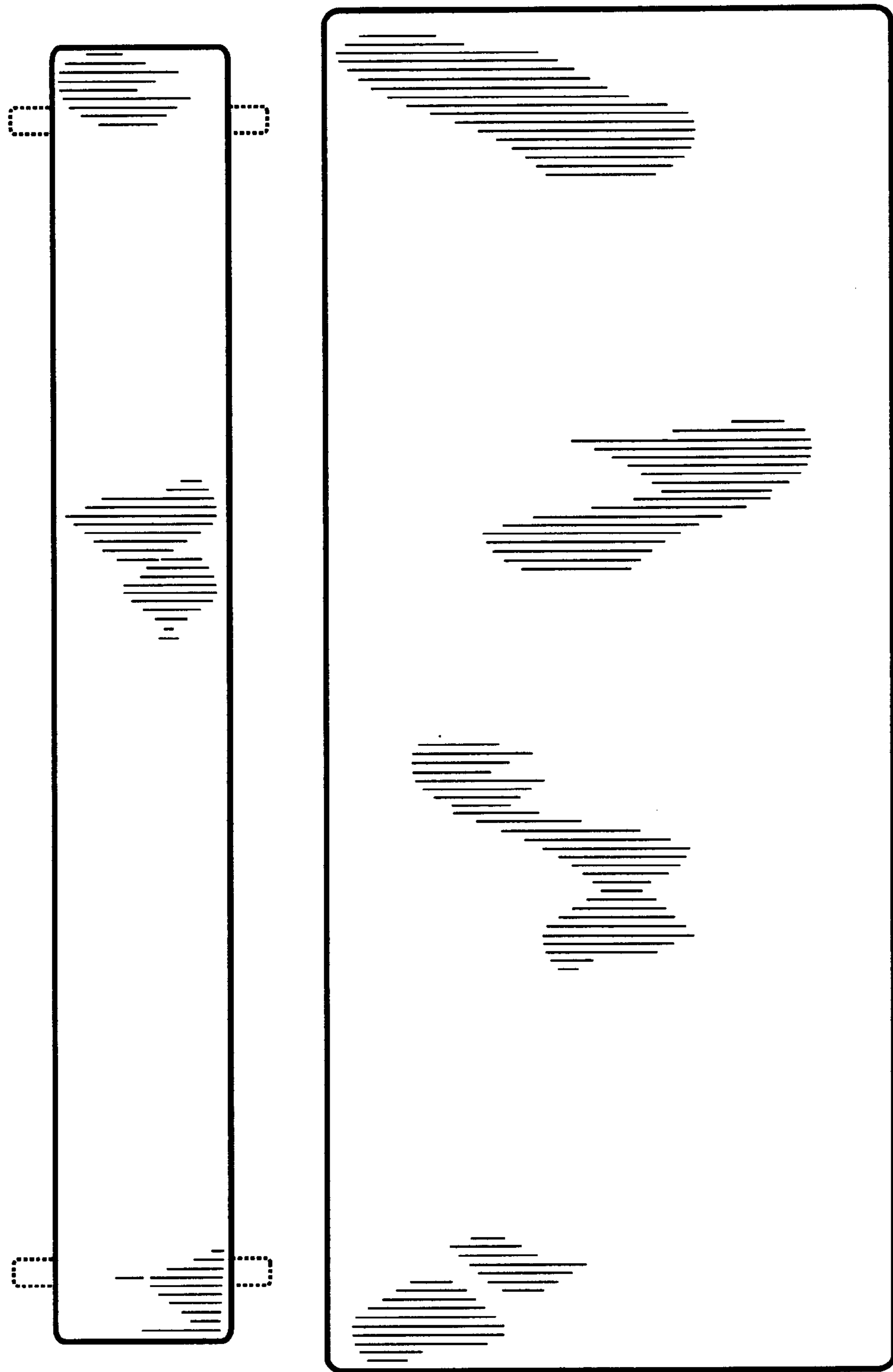


Fig. 13

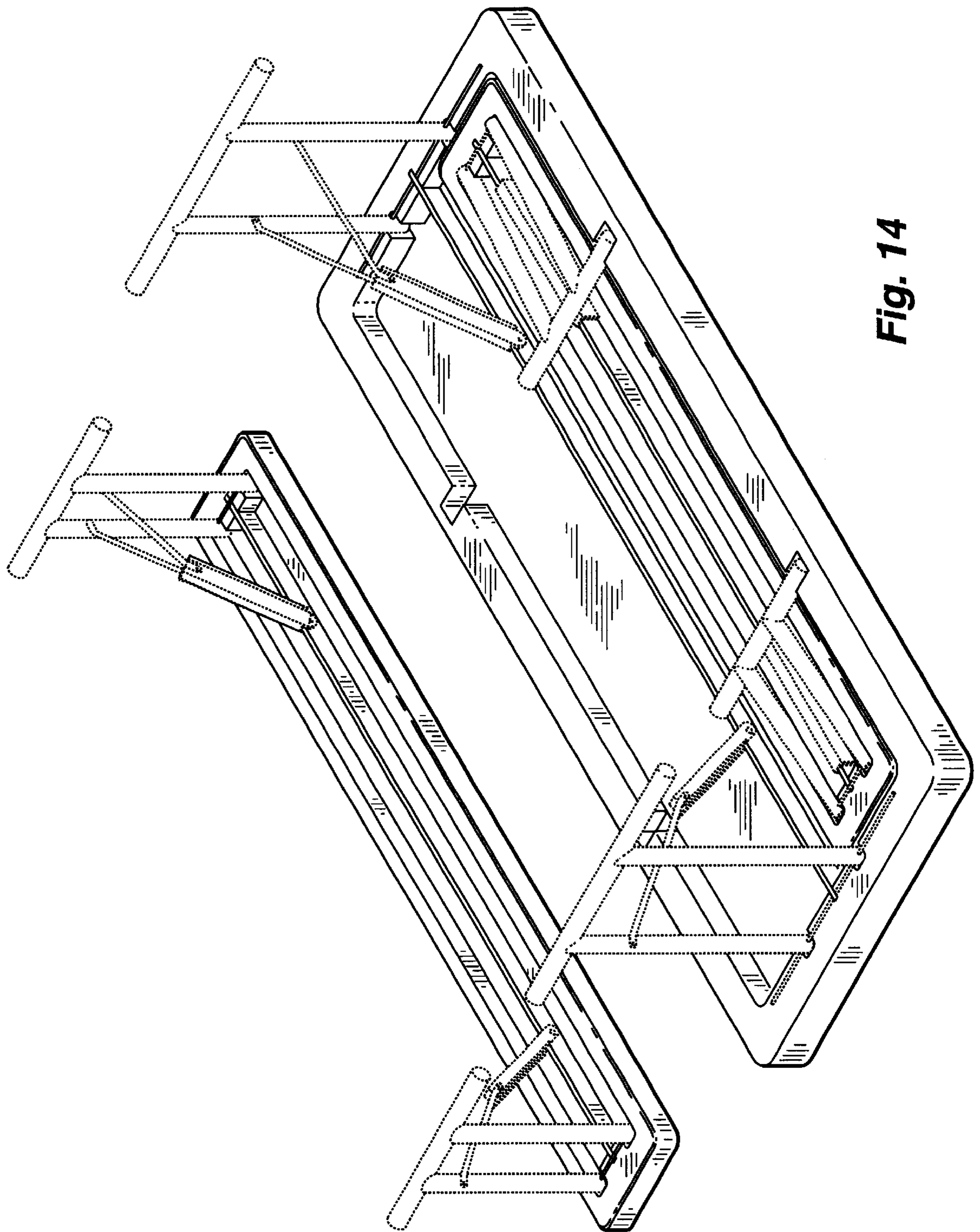


Fig. 14

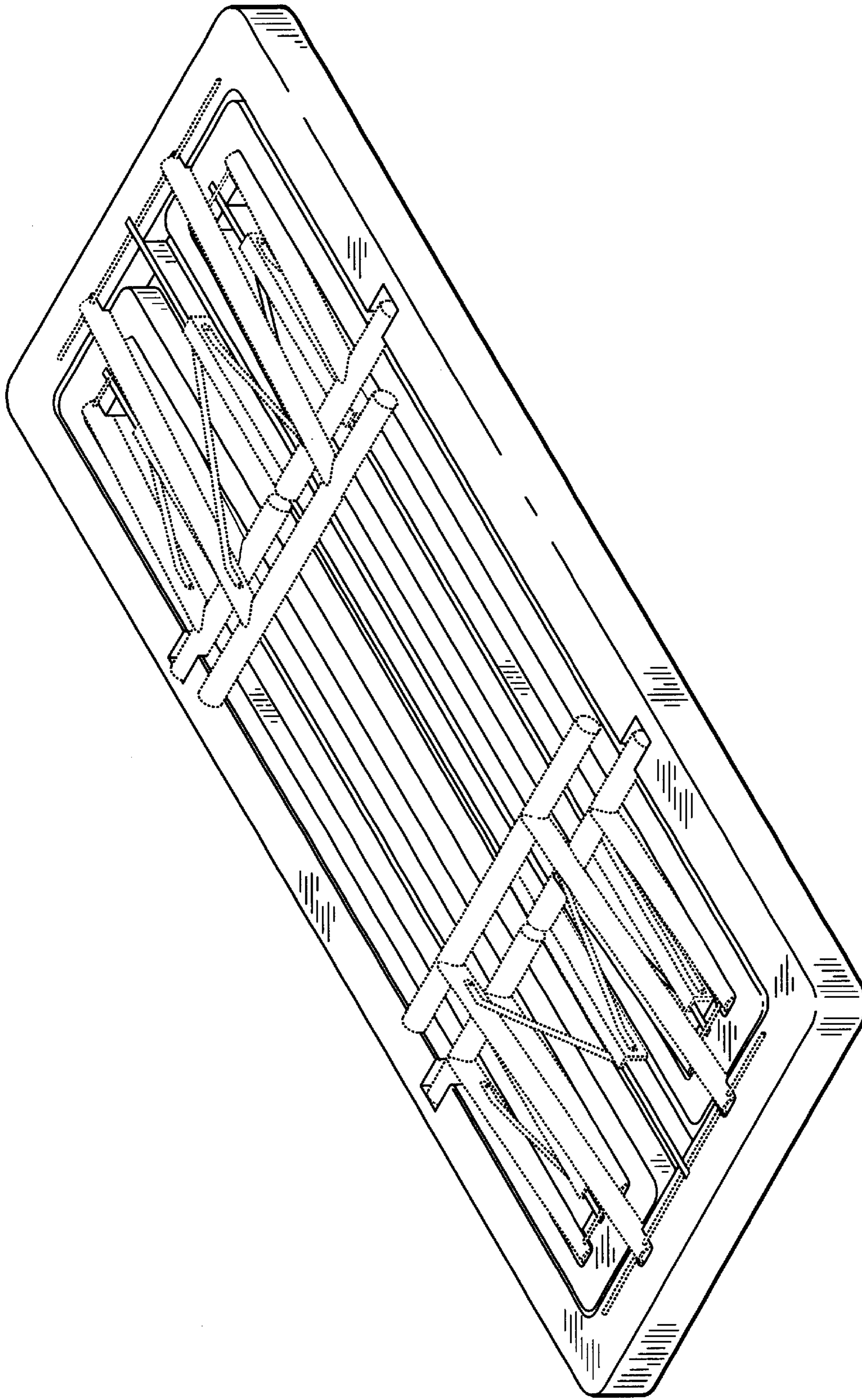


Fig. 15