



US00D442787S

(12) **United States Design Patent**
Hutton

(10) **Patent No.:** **US D442,787 S**

(45) **Date of Patent:** **** May 29, 2001**

(54) **CHAIR**

(75) **Inventor:** **John Hutton**, West Islip, NY (US)

(73) **Assignee:** **Donghia Furniture/Textiles Ltd.**, New York, NY (US)

(**) **Term:** **14 Years**

(21) **Appl. No.:** **29/114,691**

(22) **Filed:** **Nov. 29, 1999**

(51) **LOC (7) Cl.** **06-01**

(52) **U.S. Cl.** **D6/334**

(58) **Field of Search** D6/334, 335, 364,
D6/371, 379, 500, 501, 502; 297/445.1

(56) **References Cited**

U.S. PATENT DOCUMENTS

- D. 227,210 * 6/1973 Winrow D6/334
- D. 318,576 * 7/1991 Fister et al. D6/334
- D. 329,543 * 9/1992 Shields D6/334
- D. 367,364 * 2/1996 Lewis D6/334

- D. 379,269 * 5/1997 Hutton D6/334
- D. 394,558 * 5/1998 Hutton D6/334
- D. 418,986 * 1/2000 Natuzzi et al. D6/334
- D. 423,244 * 4/2000 Hutton D6/334 X
- D. 431,117 * 9/2000 Hutton D6/334

* cited by examiner

Primary Examiner—Gary D. Watson

(74) *Attorney, Agent, or Firm*—Heslin & Rothenberg, P.C.

(57) **CLAIM**

The ornamental design for a chair, as shown and described.

DESCRIPTION

FIG. 1 is a front elevational view of the chair comprising my new design;

FIG. 2 is a right side elevational view thereof, the opposite side elevational view being a mirror image thereof;

FIG. 3 is a top plan view thereof; and,

FIG. 4 is a rear elevational view thereof.

The broken lines shown are for illustrative purposes only and form no part of the claimed design.

1 Claim, 1 Drawing Sheet

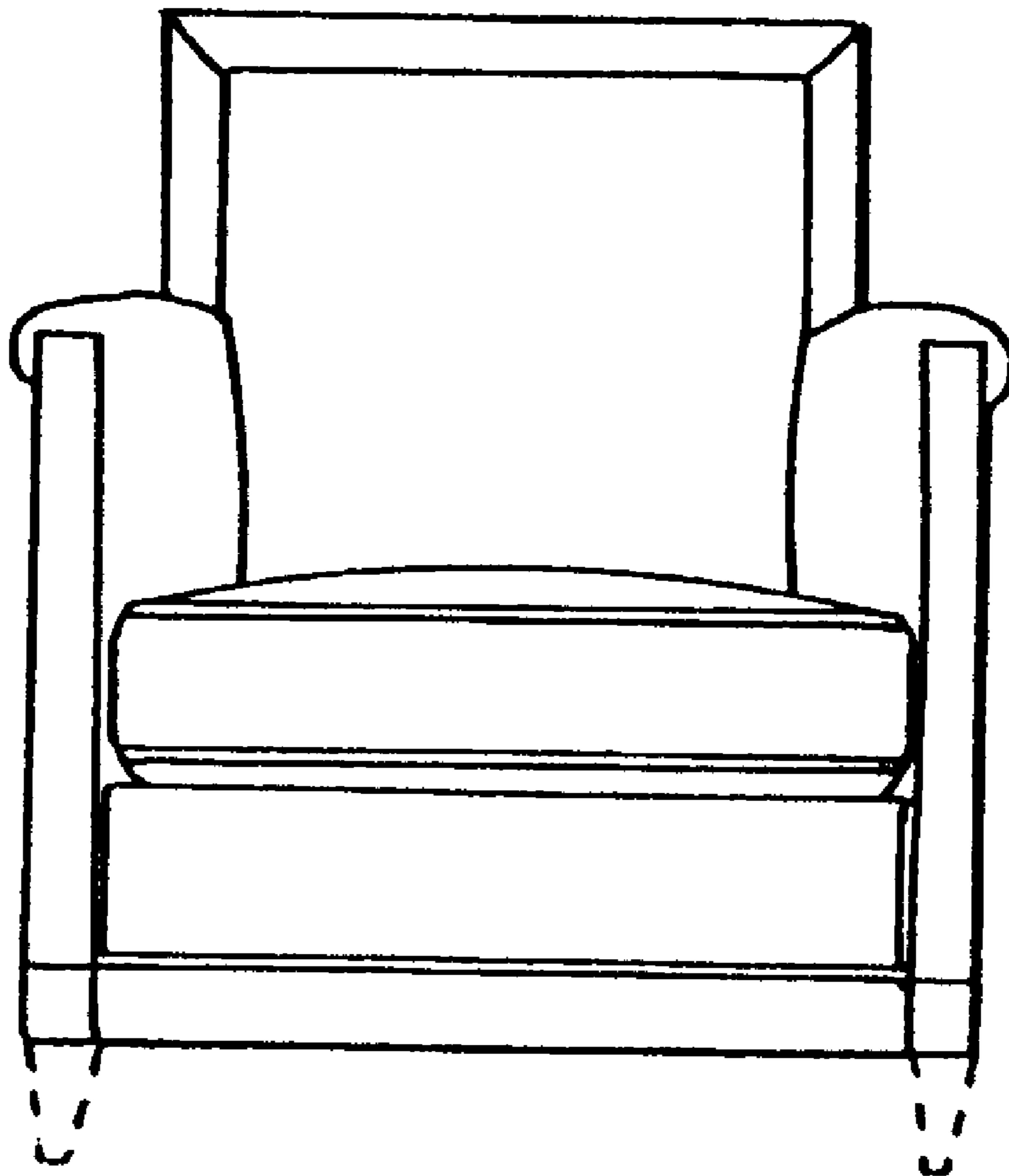


FIG. 3

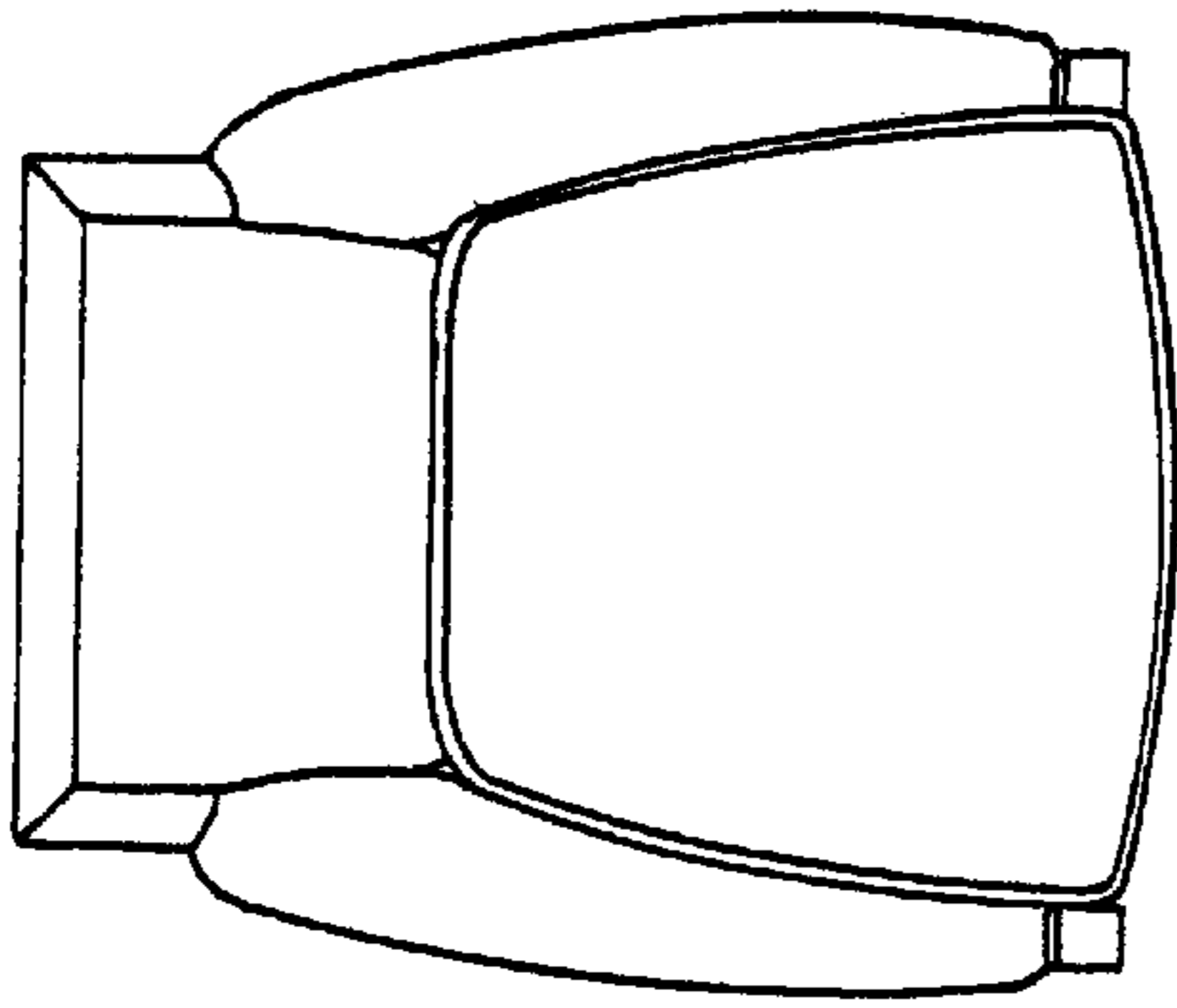


FIG. 1

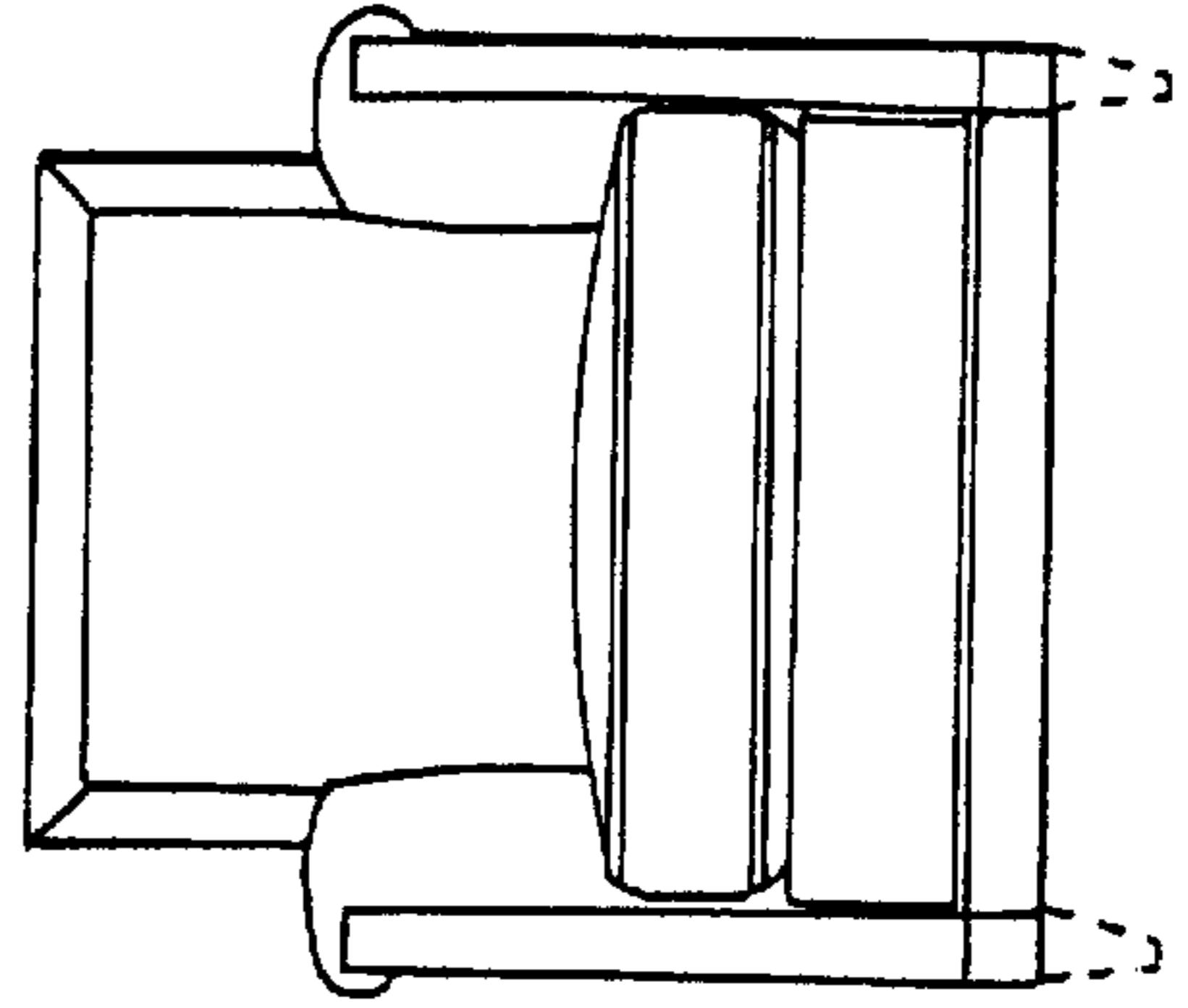


FIG. 2

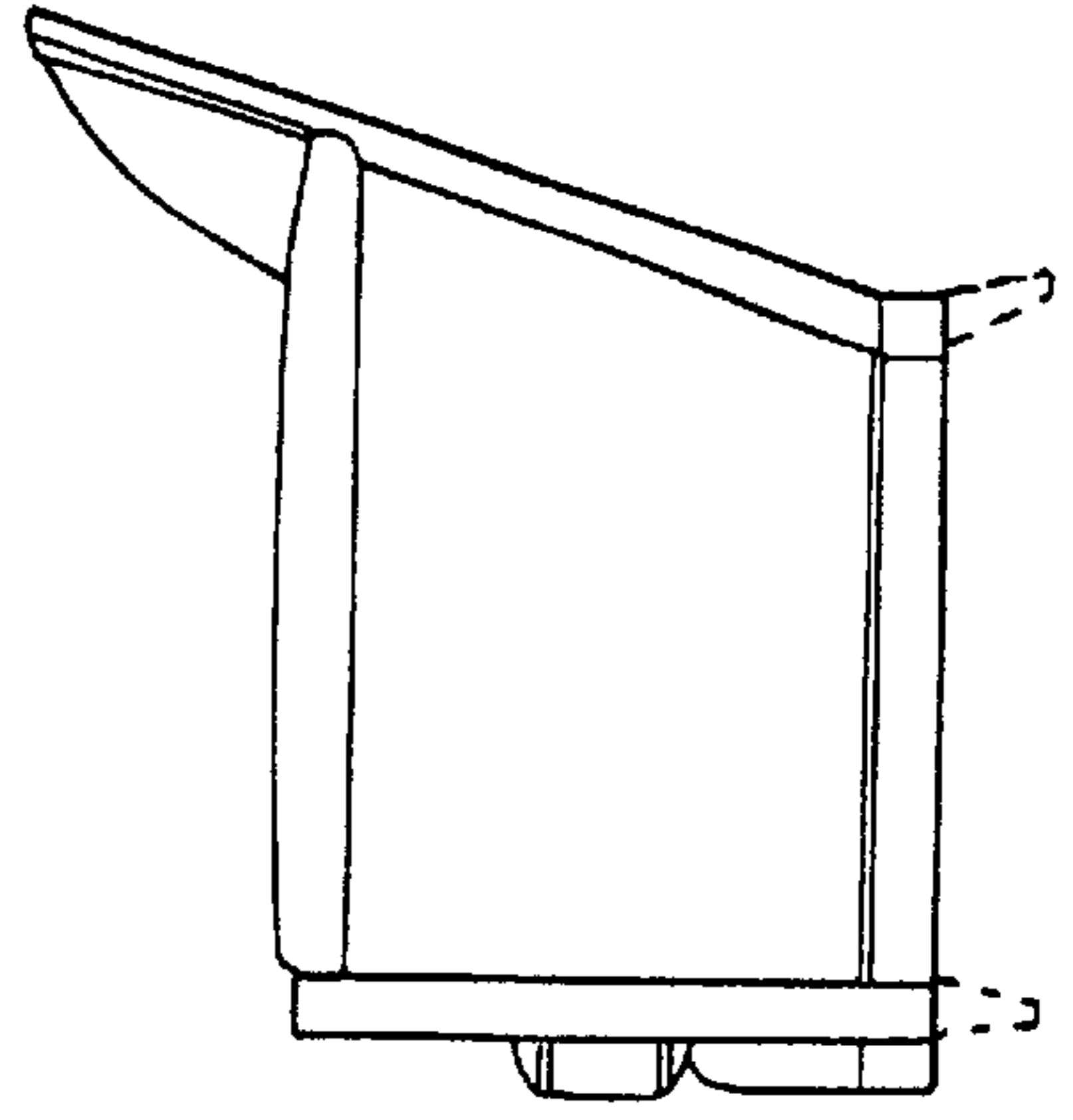


FIG. 4

