



US00D442783S

(12) **United States Design Patent**
Pratt et al.

(10) **Patent No.:** **US D442,783 S**

(45) **Date of Patent:** **** May 29, 2001**

(54) **GOLF BAG TOP**

D. 436,731 * 1/2001 Craft D3/220

* cited by examiner

(75) Inventors: **Michael J. Pratt**, Draper; **Joseph F. Novak**, Salt Lake City; **Andrew Cimini**, West Jordan, all of UT (US)

Primary Examiner—Louis S. Zarfaz

Assistant Examiner—Catherine R. Oliver

(73) Assignee: **Ogio International**, Bluffdale, UT (US)

(74) *Attorney, Agent, or Firm*—Kirton & McConkie; Michael F. Krieger

(**) Term: **14 Years**

(57) **CLAIM**

(21) Appl. No.: **29/128,045**

The ornamental design for a golf bag top, as shown and described.

(22) Filed: **Aug. 17, 2000**

DESCRIPTION

(51) **LOC (7) Cl.** **03-99**

(52) **U.S. Cl.** **D3/320**

(58) **Field of Search** D3/320, 255, 259;
206/315.2–315.8; 248/96

FIG. 1 is a perspective view of the golf bag top;

FIG. 2 is a left side view of the golf bag top; the right side view is a mirror image of FIG. 2;

FIG. 3 is a top plan view of the golf bag top;

FIG. 4 is a rear elevational view of the golf bag top; and,

FIG. 5 is a front elevational view of the golf bag top.

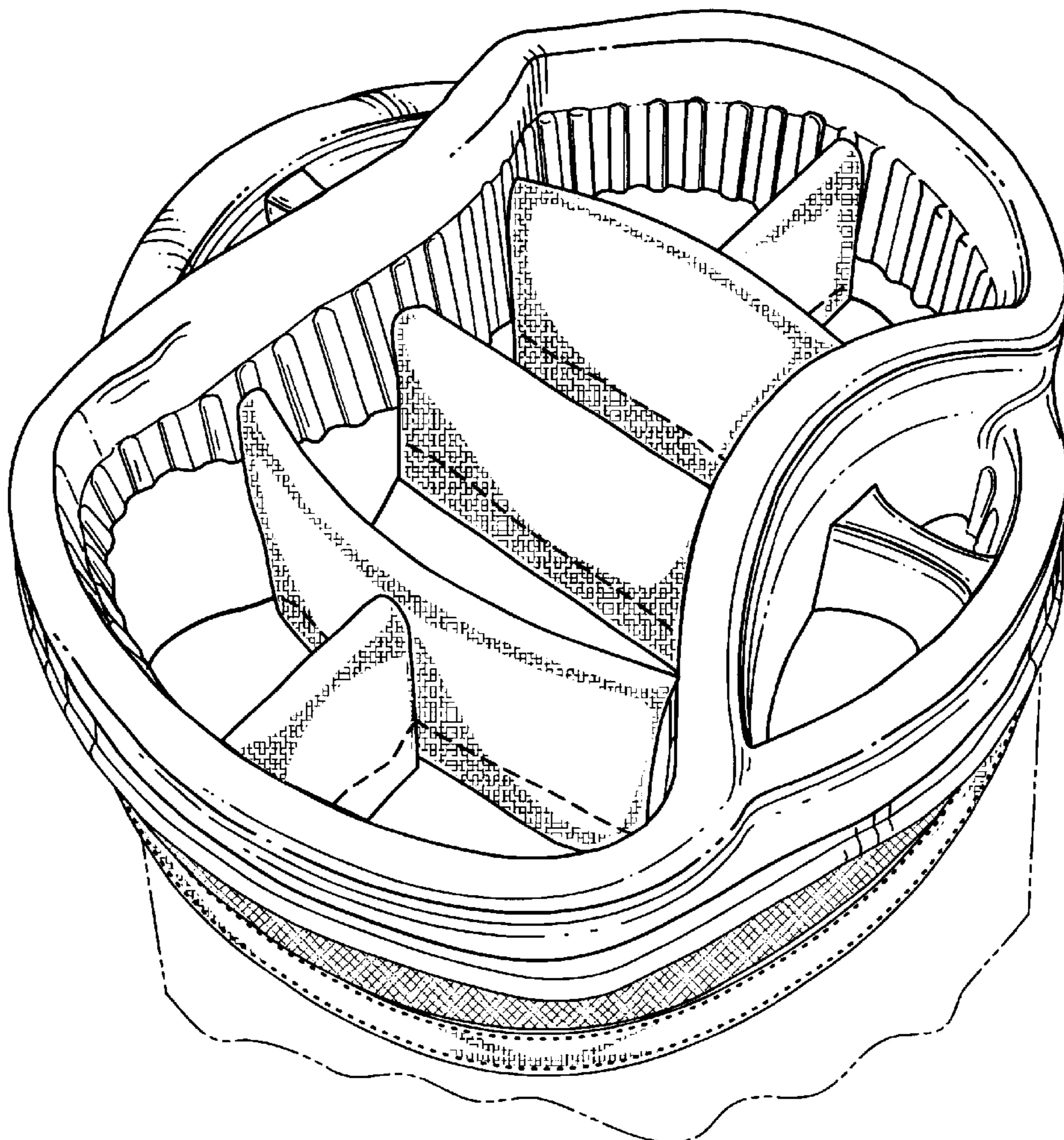
The broken line showing of environment in the drawings is for illustrative purposes only and forms no part of the claimed design.

(56) **References Cited**

U.S. PATENT DOCUMENTS

- D. 402,469 * 12/1998 Suk D3/320
- D. 422,789 * 4/2000 Sundara et al. D3/320
- D. 431,111 * 9/2000 Ryan D3/320

1 Claim, 3 Drawing Sheets



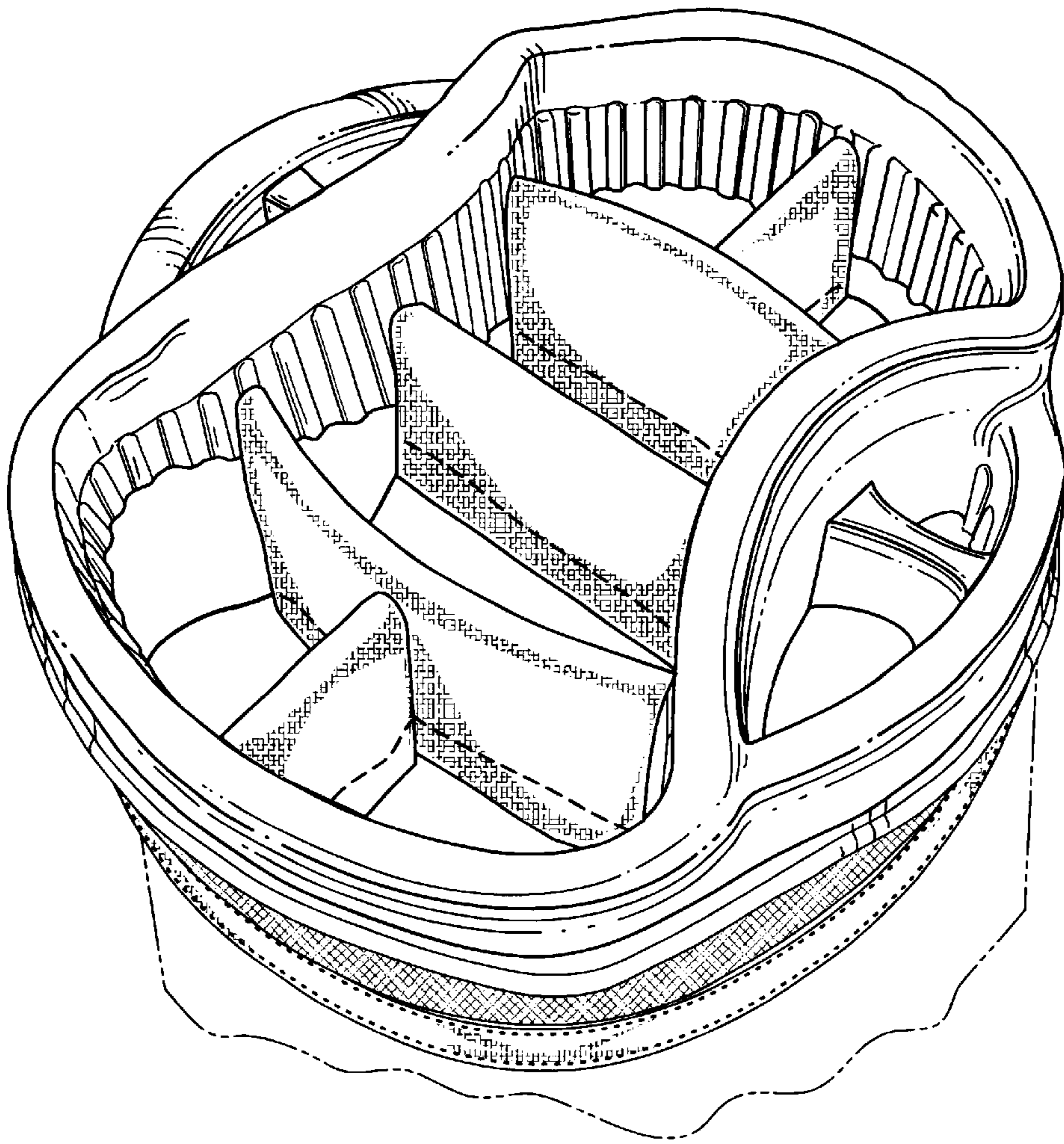


FIG. 1

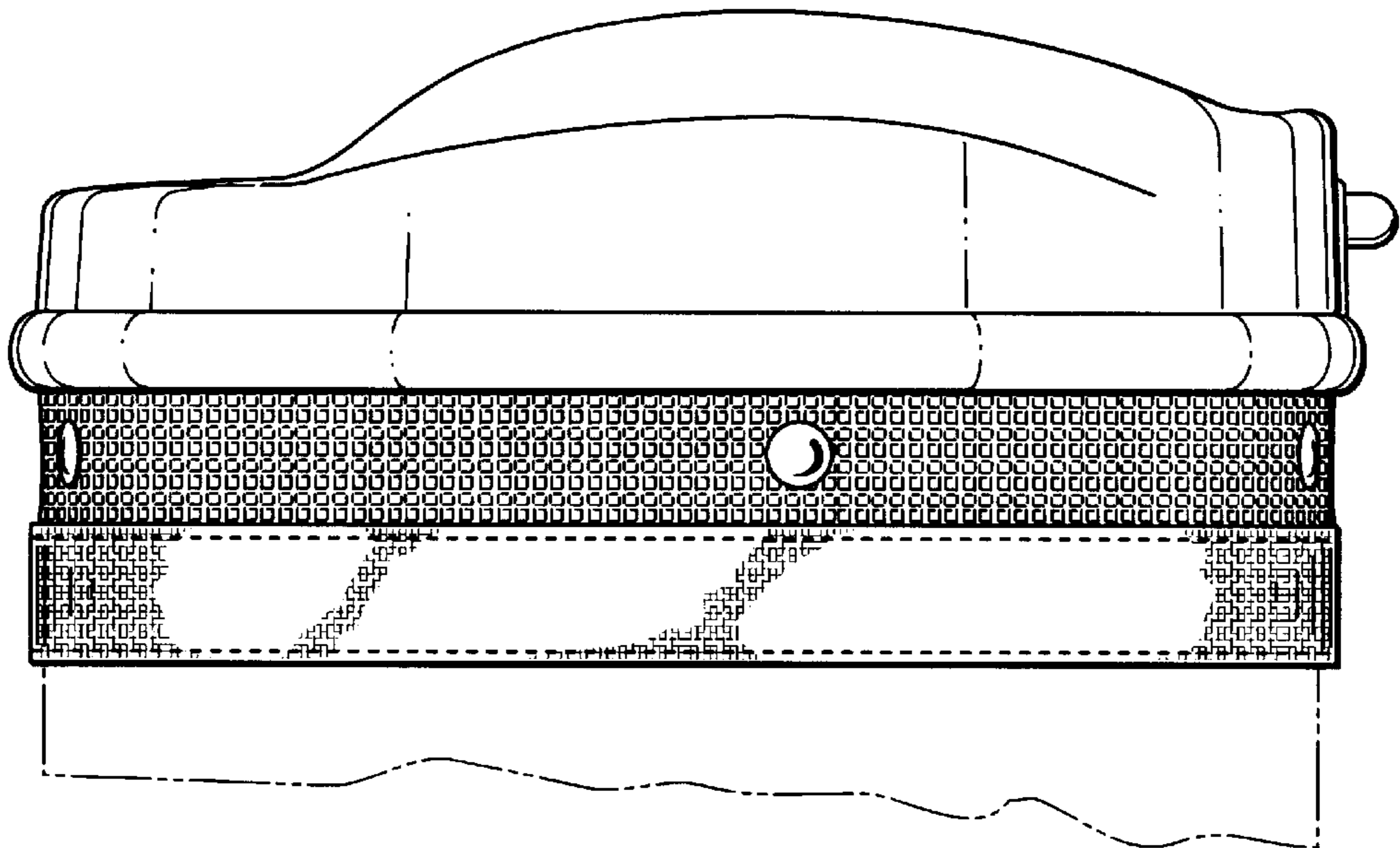


FIG. 2

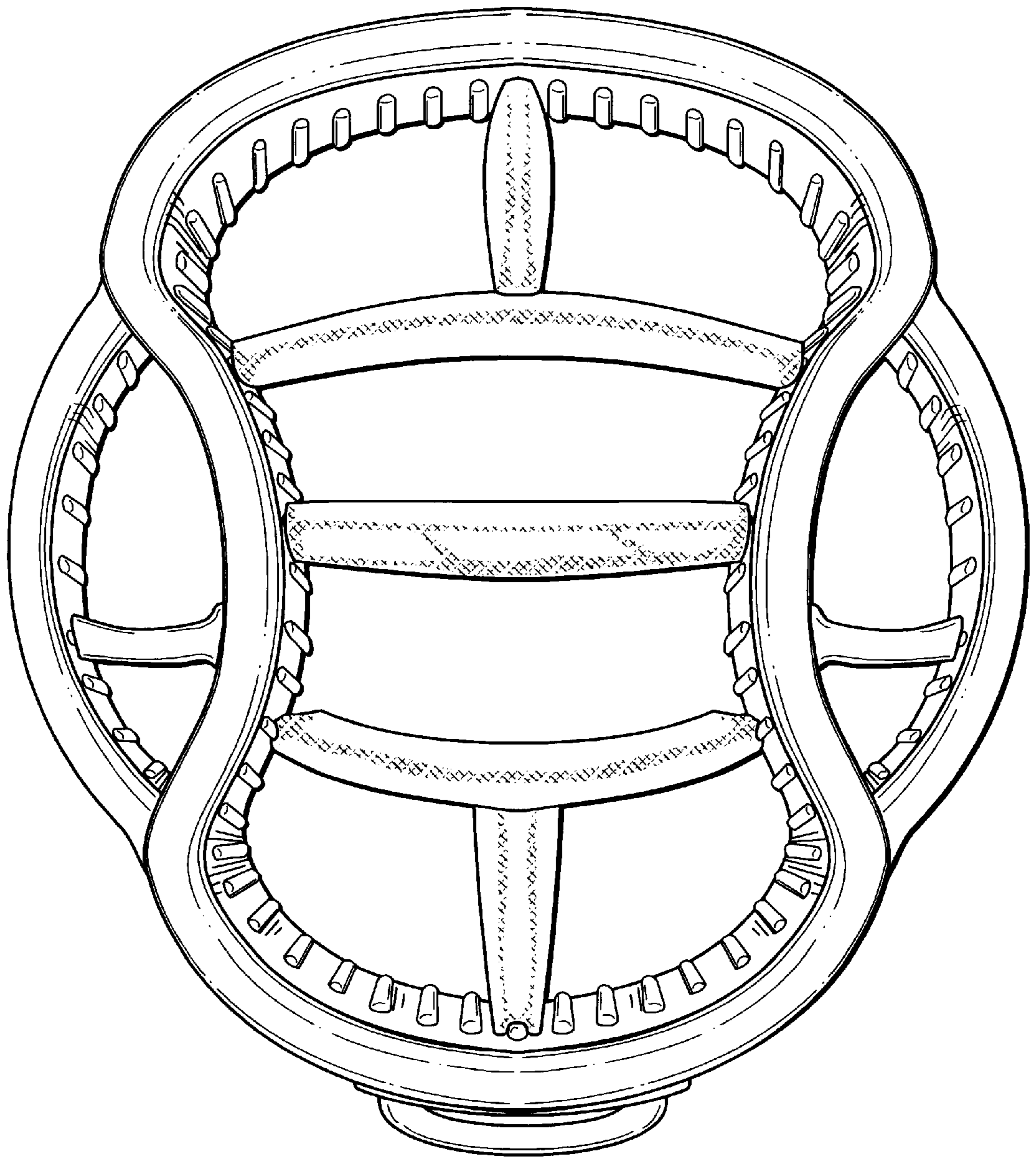


FIG. 3

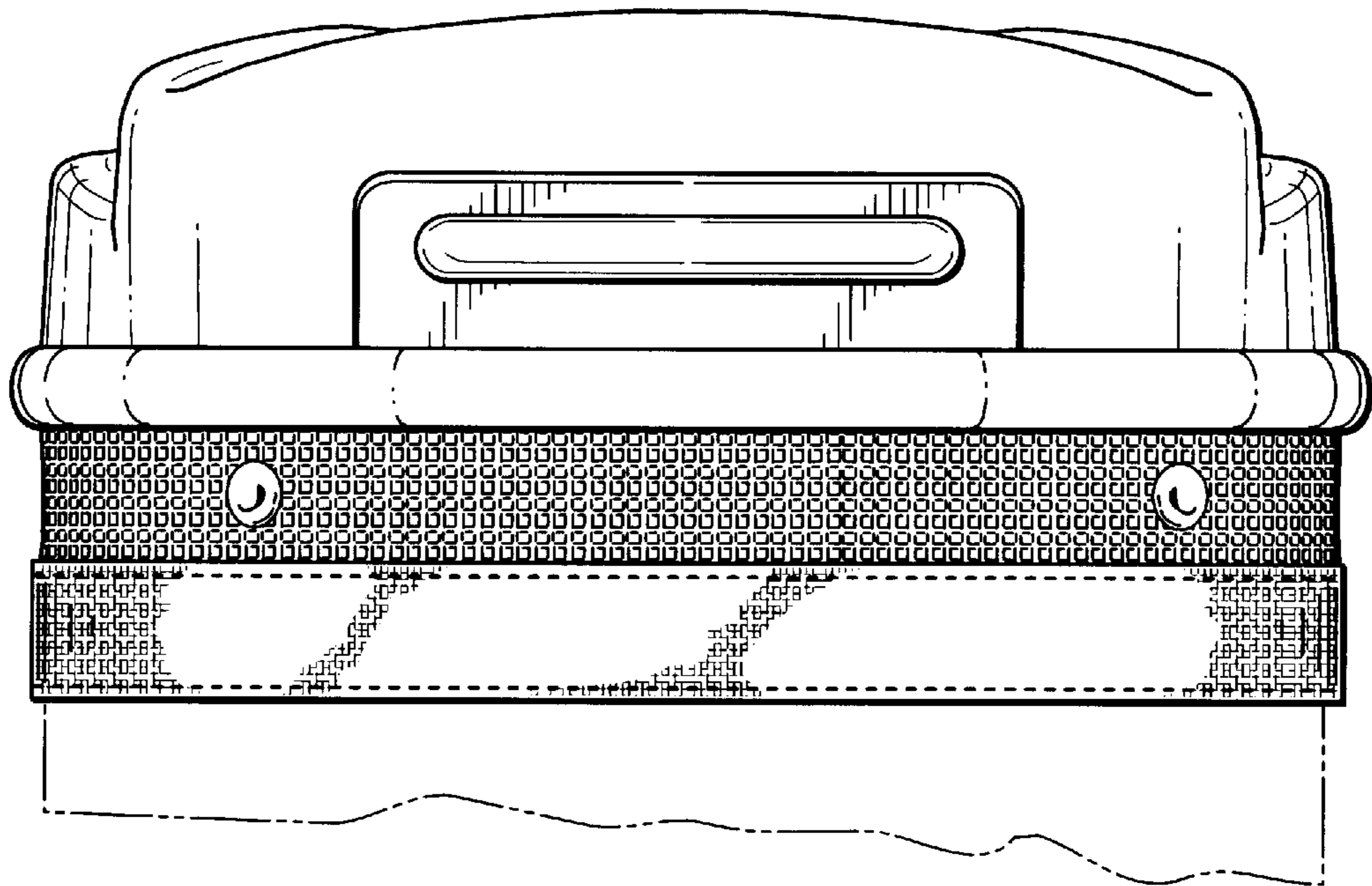


FIG. 4

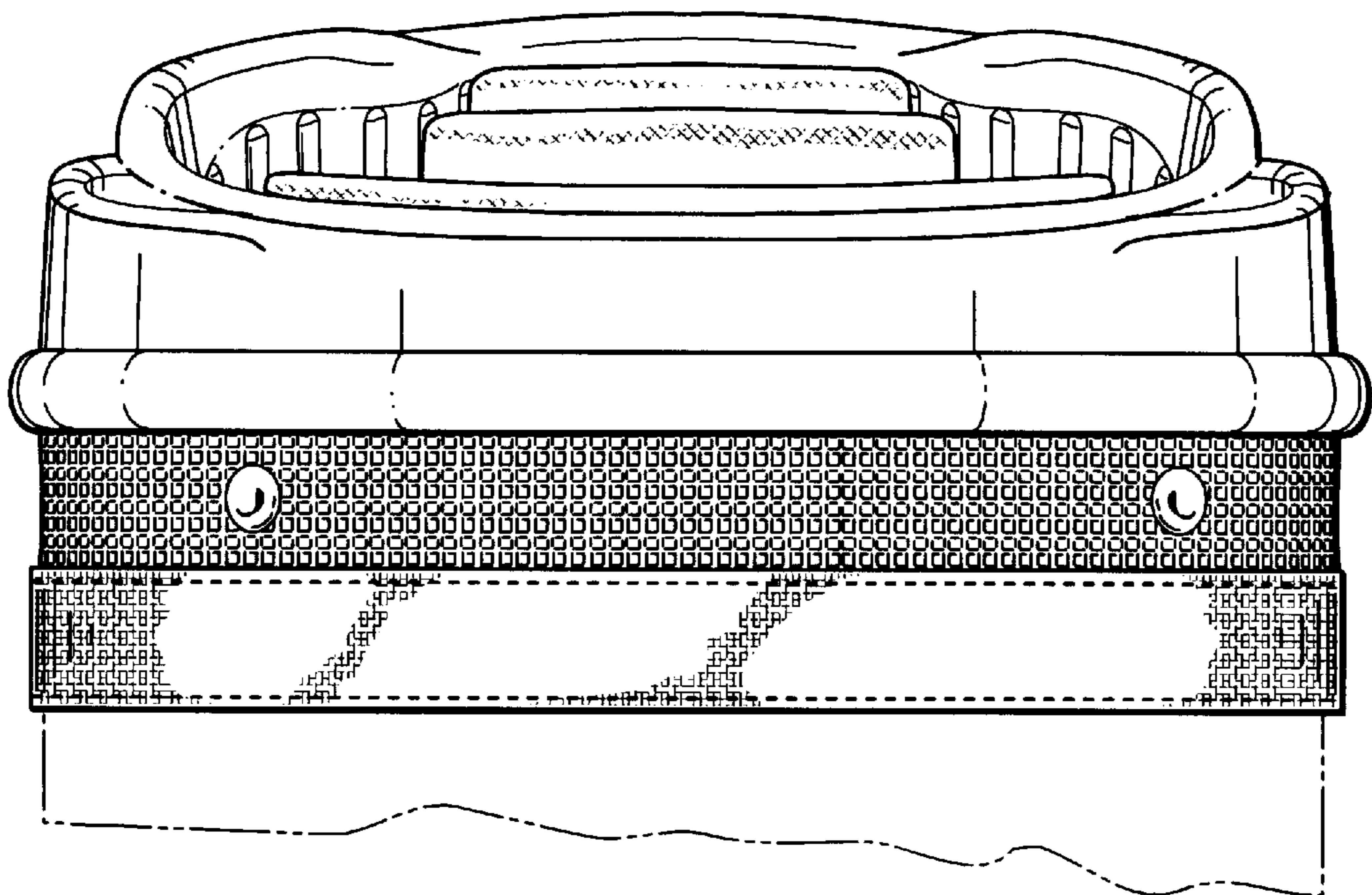


FIG. 5