



US00D442782S

(12) **United States Design Patent** (10) **Patent No.:** **US D442,782 S**  
**Hersh et al.** (45) **Date of Patent:** **\*\* May 29, 2001**

(54) **EXTERIOR COMPARTMENT OF A HANDBAG FOR AN ARTICLE SUCH AS A MOBILE PHONE, EYEGLASSES OR THE LIKE**

(75) Inventors: **Ahron Hersh**, Brooklyn, NY (US); **Chi Yueh Chen**, Taipei (TW)

(73) Assignee: **Rosetti Handbags and Accessories Ltd.**, New York, NY (US)

(\*\*) Term: **14 Years**

(21) Appl. No.: **29/102,260**

(22) Filed: **Mar. 19, 1999**

(51) **LOC (7) Cl.** ..... **03-99**

(52) **U.S. Cl.** ..... **D3/319**

(58) **Field of Search** ..... D3/230-234, 279, D3/243, 300, 303, 318, 319, 321, 324, 326, 284, 283, 228; 150/100, 107, 109.1 R, 119, 152; 190/109-111, 112; 383/907; 224/654, 655, 657, 658, 236, 901.6

(56) **References Cited**

**U.S. PATENT DOCUMENTS**

D. 240,090	*	5/1976	Siegel	.....	D3/243
D. 291,844	*	9/1987	Gerver et al.	.....	D3/284
D. 293,506	*	1/1988	Kappel et al.	.....	D3/283 X
D. 307,827	*	5/1990	Kim	.....	D3/279
D. 307,828	*	5/1990	Kim	.....	D3/279
D. 308,135	*	5/1990	Kim	.....	D3/279
D. 312,350	*	11/1990	Diaz	.....	D3/230
D. 332,696	*	1/1993	Kendrick	.....	D3/243
D. 340,131	*	10/1993	Cassidy, IV	.....	D3/284 X
D. 361,658	*	8/1995	Martin	.....	D3/228
D. 371,457	*	7/1996	Jacobs	.....	D3/231
D. 405,266	*	2/1999	Chisholm	.....	D3/303
D. 411,659	*	6/1999	Karton	.....	D3/226
2,562,499	*	7/1951	Lifton	.....	190/111

\* cited by examiner

*Primary Examiner*—Louis S. Zarfaz  
*Assistant Examiner*—Robert A. Delehanty

(74) *Attorney, Agent, or Firm*—Hoffmann & Baron, LLP

(57) **CLAIM**

The ornamental design for exterior compartment of a handbag for an article such as a mobile phone, eyeglasses or the like, as shown and described.

**DESCRIPTION**

FIG. 1 is a top and left side perspective view of a first embodiment of an exterior compartment of a handbag for an article such as a mobile phone, eyeglasses or the like shown open in opposition of use;

FIG. 2 is an enlarged top plan view thereof shown in a closed position;

FIG. 3 is a front view thereof;

FIG. 4 is a left side view thereof, the right side being a mirror image;

FIG. 5 is a bottom plan view thereof;

FIG. 6 is a top and left side perspective view of a second embodiment of an exterior compartment of a handbag for an article such as a mobile phone, eyeglasses or the like shown open in position of use;

FIG. 7 is an enlarged top plan view thereof shown in a closed position;

FIG. 8 is a front view thereof;

FIG. 9 is a left side view thereof, the right side being a mirror image;

FIG. 10 is a bottom plan view thereof;

FIG. 11 is a top and left side perspective view of a third embodiment of an exterior compartment of a handbag for an article such as a mobile phone, eyeglasses or the like shown open in position of use;

FIG. 12 is an enlarged top plan view thereof shown in a closed position;

FIG. 13 is a front elevational view thereof;

FIG. 14 is a left side view thereof, the right side being a mirror image;

FIG. 15 is a bottom plan view thereof;

FIG. 16 is a top and left side perspective view of a fourth embodiment of an exterior compartment of a handbag for an article such as a mobile phone, eyeglasses or the like shown open in position of use;

FIG. 17 is an enlarged top plan view thereof shown in a closed position;

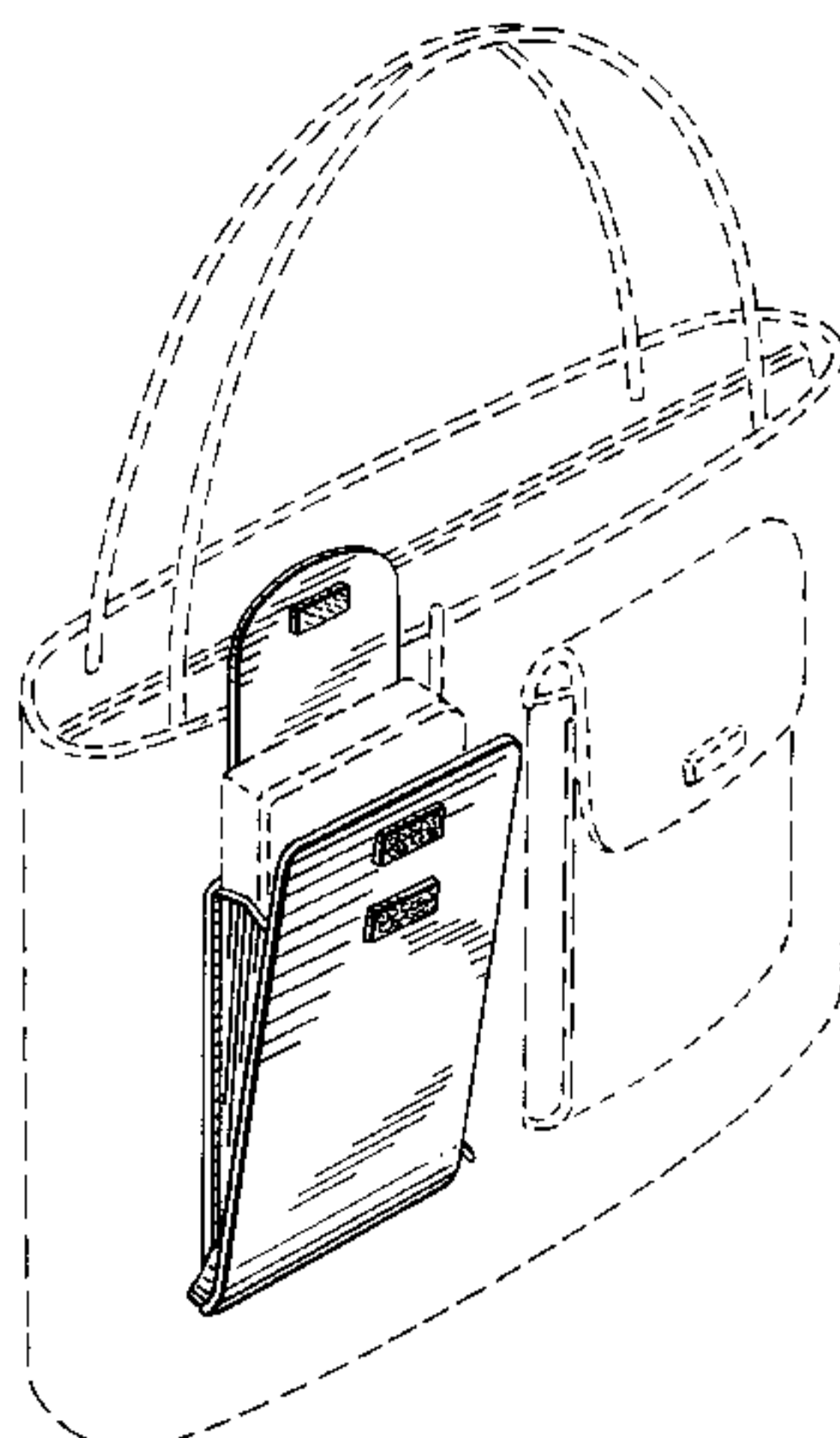
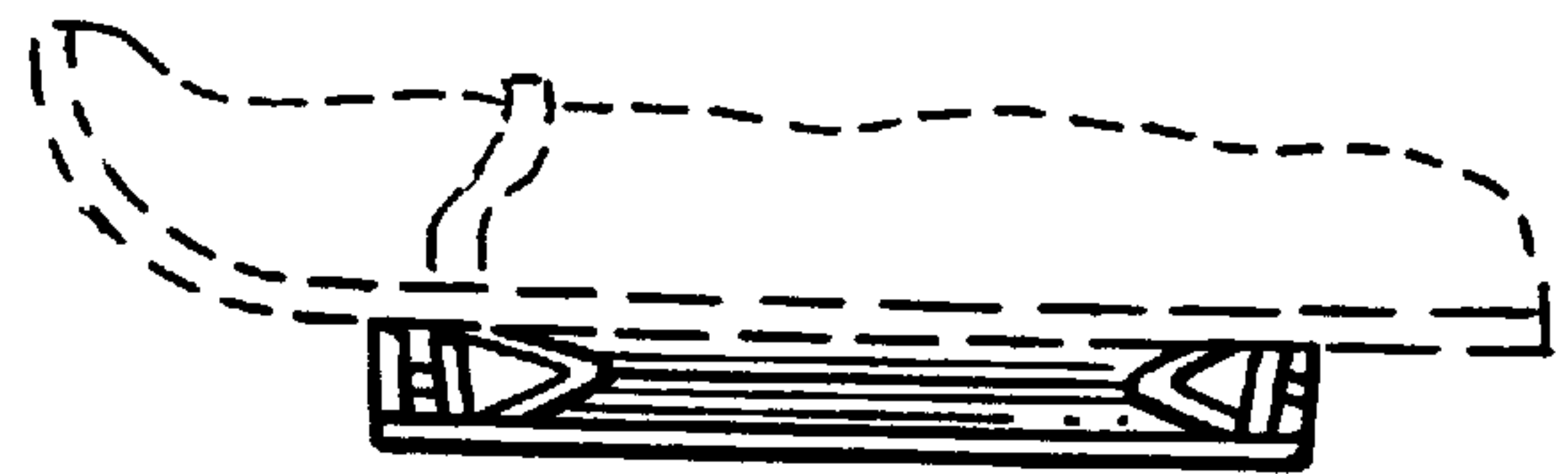
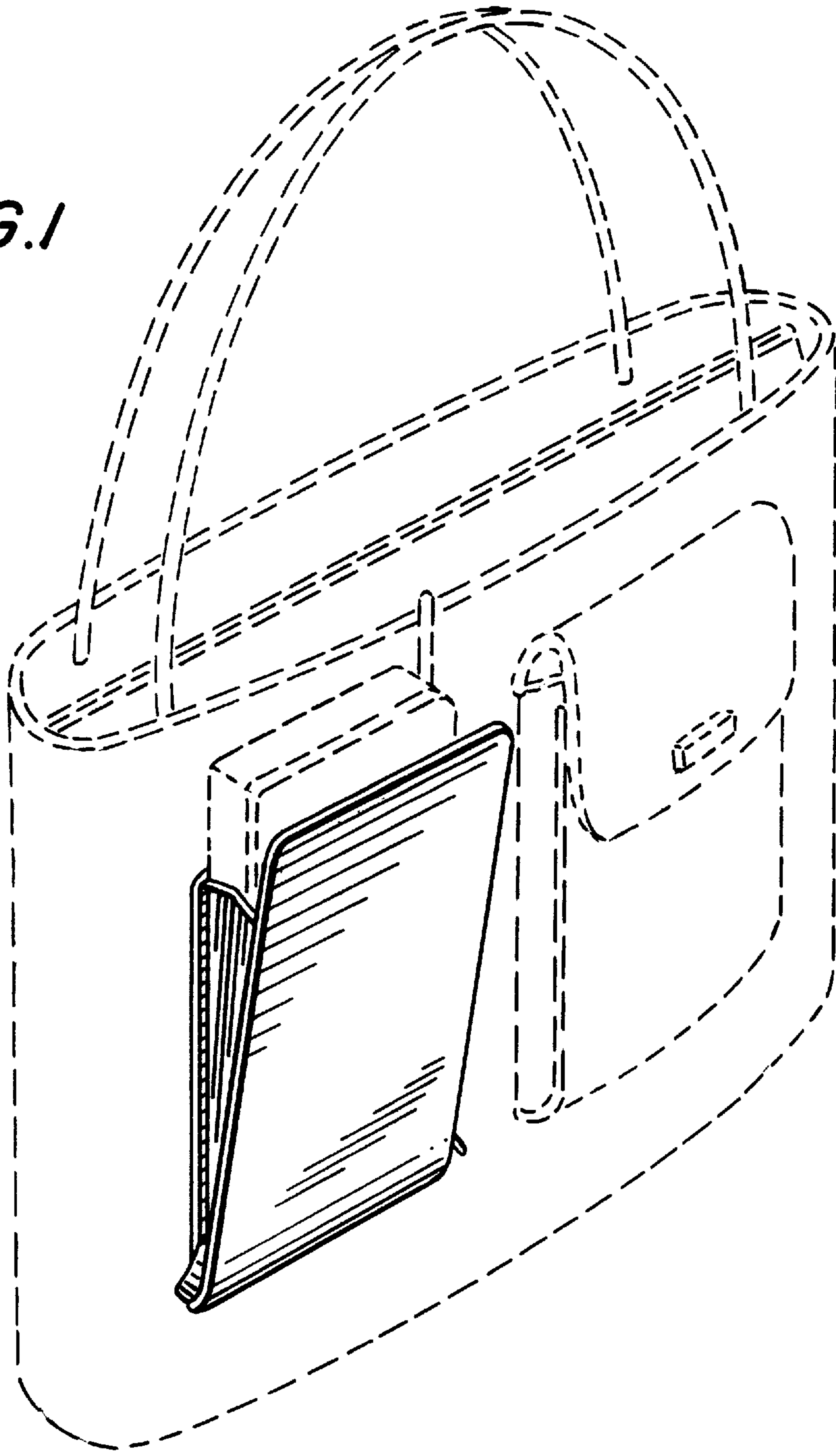


FIG. 18 is a front elevational view thereof;  
FIG. 19 is a left side view thereof, the right side being a mirror image;  
FIG. 20 is a bottom plan view thereof;  
FIG. 21 is a top and left side perspective view of a fifth embodiment of an exterior compartment of a handbag for an article such as a mobile phone, eyeglasses or the like shown open in position of use;  
FIG. 22 is an enlarged top plan view thereof shown in a closed position;  
FIG. 23 is a front elevational view thereof;  
FIG. 24 is a left side view thereof, the right side being a mirror image;  
FIG. 25 is a bottom plan view thereof;  
FIG. 26 is a top and left side perspective view of a sixth embodiment of an exterior compartment of a handbag for an article such as a mobile phone, eyeglasses or the like shown open in position of use;  
FIG. 27 is an enlarged top plan view thereof shown in a closed position;  
FIG. 28 is a front elevational view thereof;  
FIG. 29 is a left side view thereof, the right side being a mirror image;  
FIG. 30 is a bottom plan view thereof;  
FIG. 31 is a top and left side perspective view of a seventh embodiment of an exterior compartment of a handbag for an article such as a mobile phone, eyeglasses or the like shown open in position of use;  
FIG. 32 is a front elevational view thereof shown in a closed position;

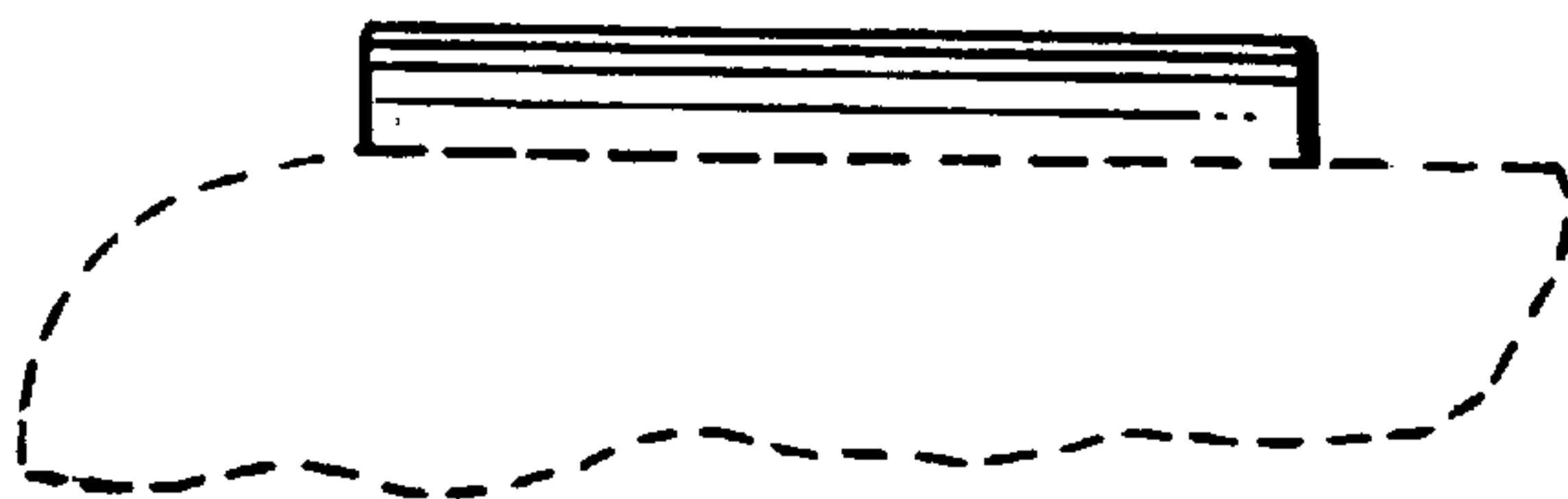
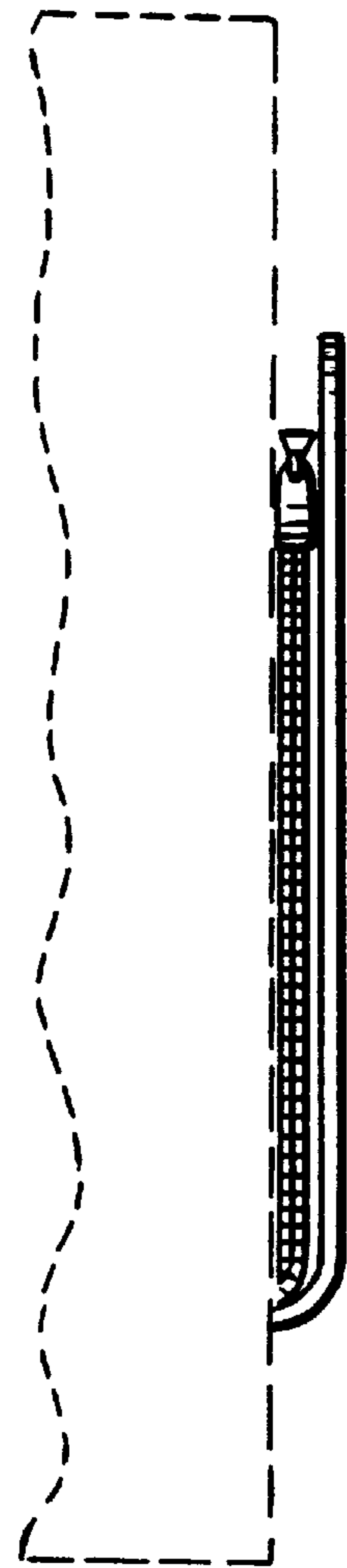
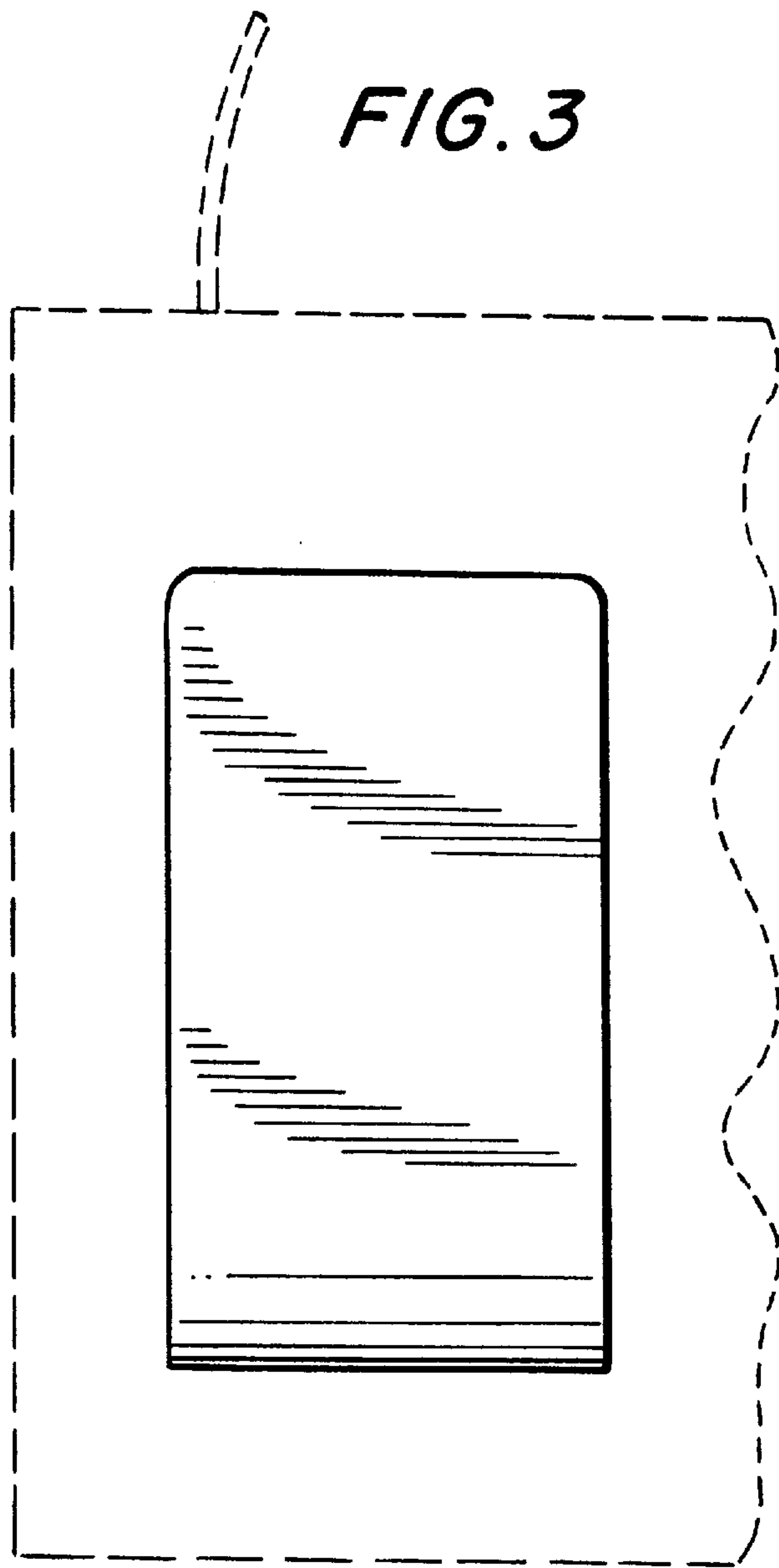
FIG. 33 is a top plan view thereof;  
FIG. 34 is a left side view thereof, the right side being a mirror image;  
FIG. 35 is a bottom plan view thereof;  
FIG. 36 is a top and right side perspective view of an eighth embodiment of an exterior compartment of a handbag for an article such as a mobile phone, eyeglasses or the like shown open in position of use;  
FIG. 37 is a front elevational view thereof;  
FIG. 38 is a top plan view thereof;  
FIG. 39 is a left side view thereof, the right side being a mirror image;  
FIG. 40 is a bottom plan view thereof;  
FIG. 41 is a top and right side perspective view of a ninth embodiment of an exterior compartment of a handbag for an article such as a mobile phone, eyeglasses or the like shown open in position of use;  
FIG. 42 is an enlarged top plan view thereof shown in a closed position.  
FIG. 43 is a top plan view of the compartment shown in FIG. 42 in the closed condition, with a portion of the handbag shown in dotted lines for environmental purposes only;  
FIG. 44 is a left side view thereof, the right side being a mirror image; and,  
FIG. 45 is a bottom plan view thereof.  
The broken line showing of a handbag is for illustrative purposes only and forms no part of the claimed design.

**1 Claim, 16 Drawing Sheets**

*FIG. 1*

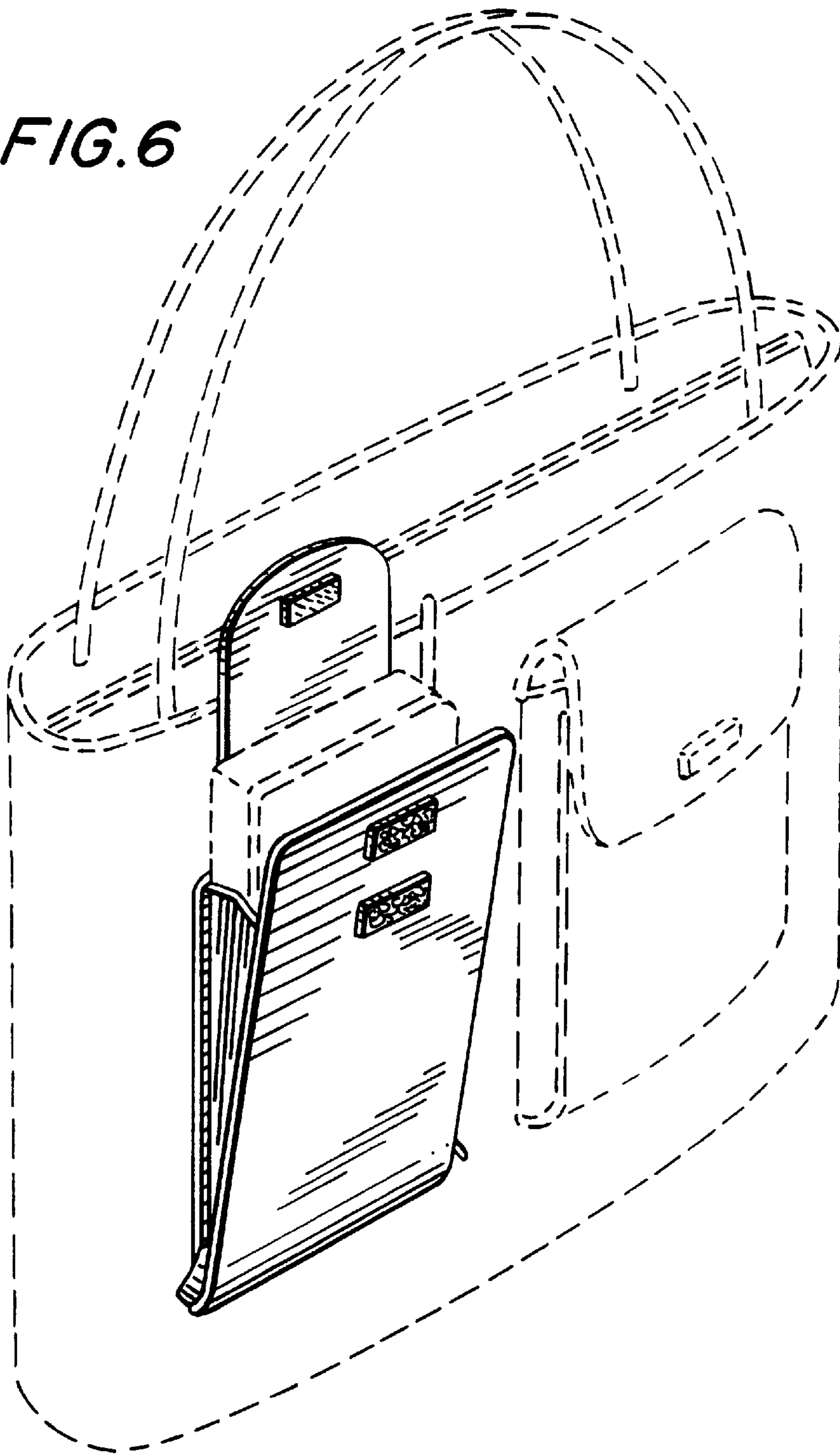


*FIG. 2*

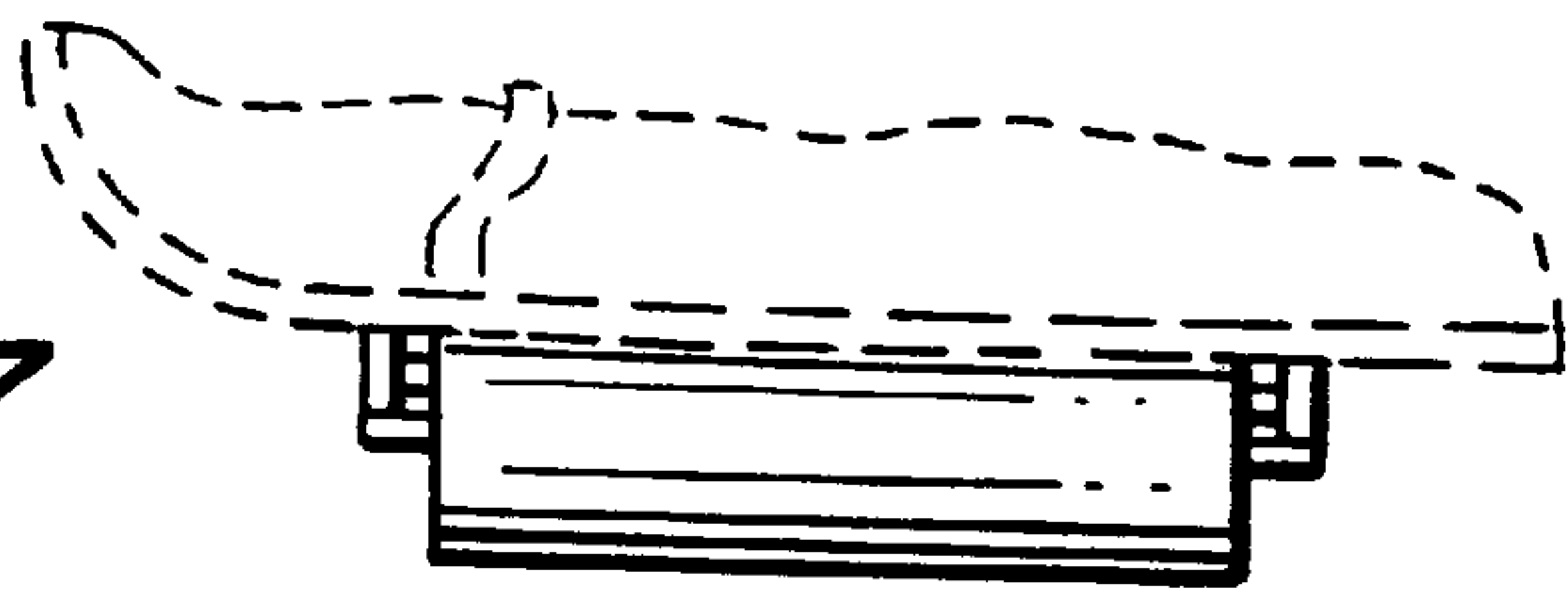




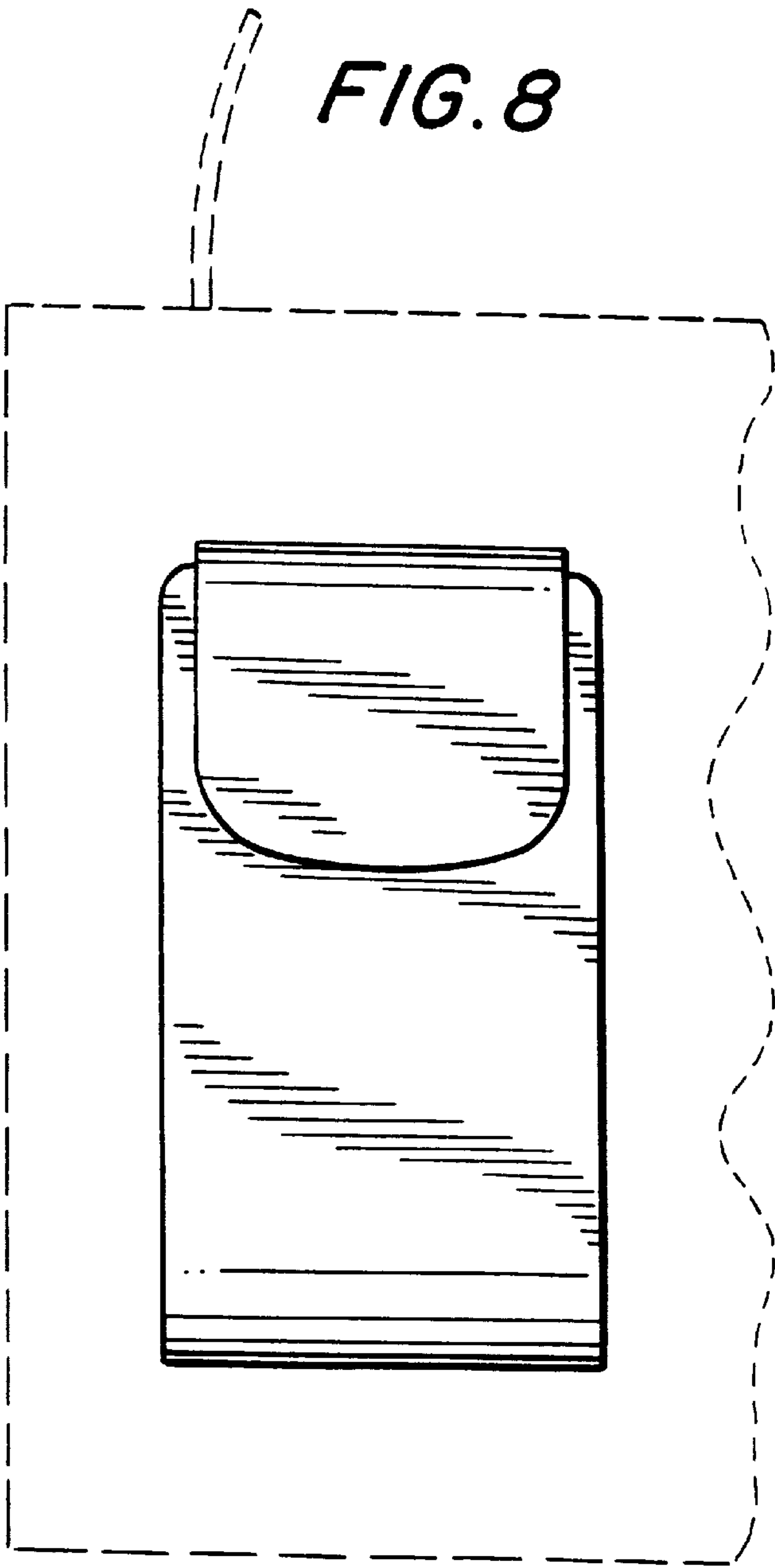
**FIG. 6**



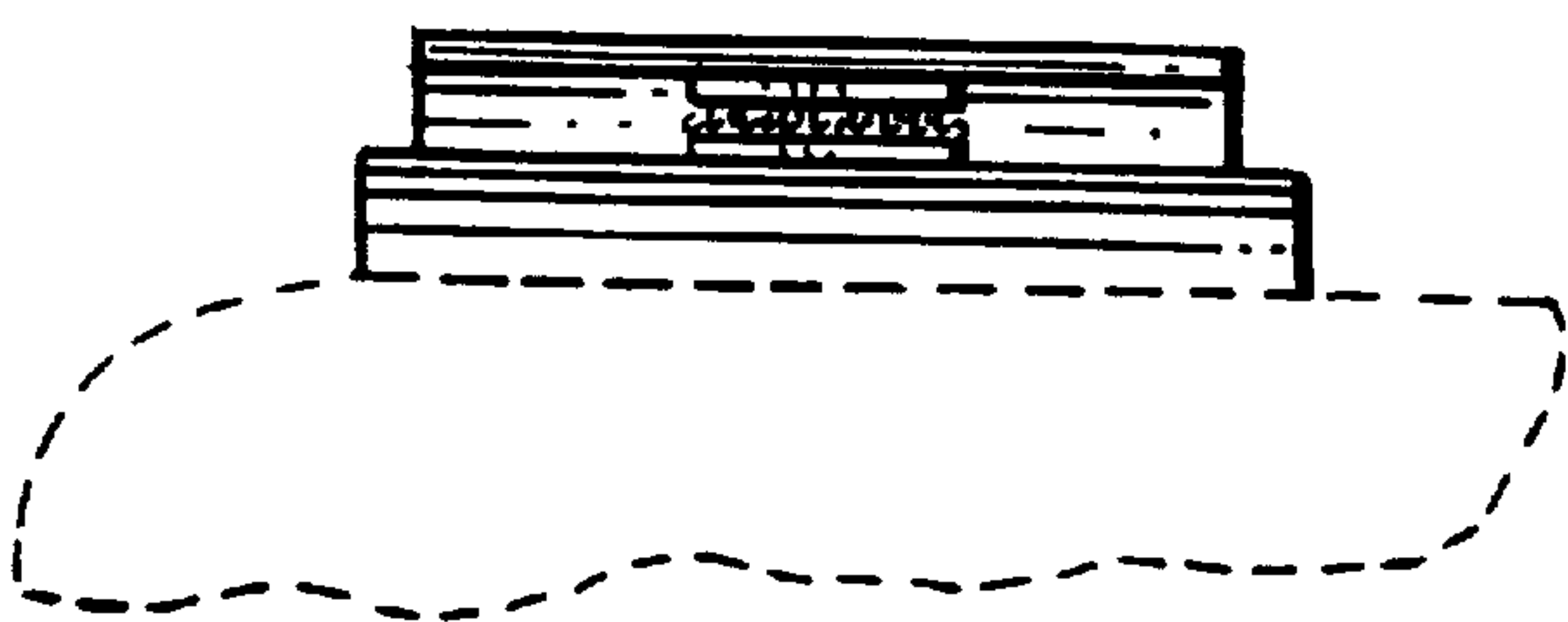
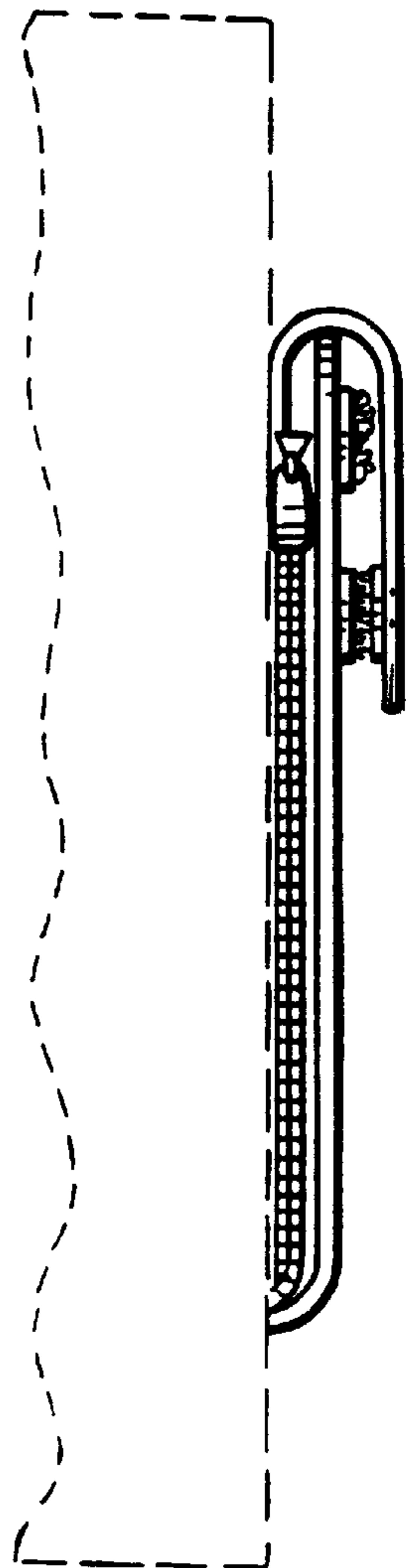
**FIG. 7**



*FIG. 8*

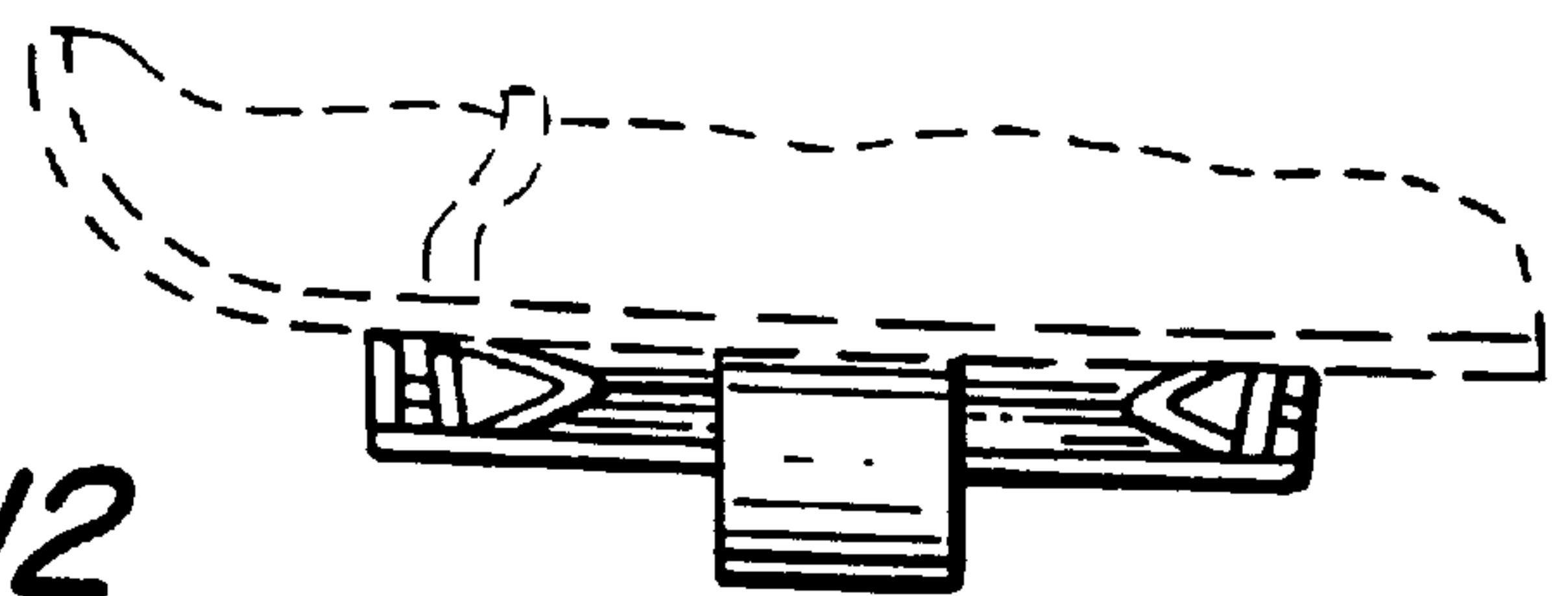
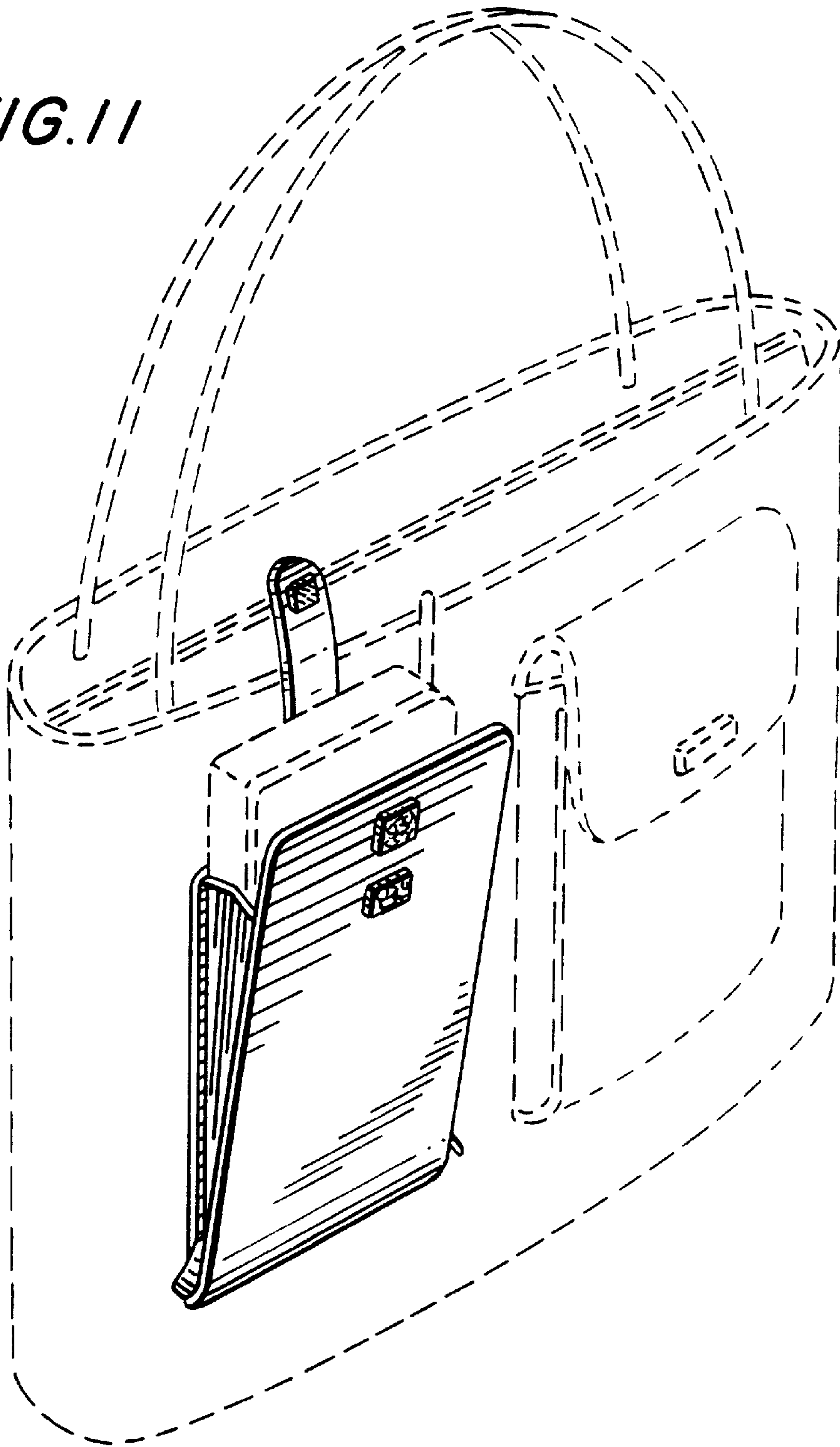


*FIG. 9*



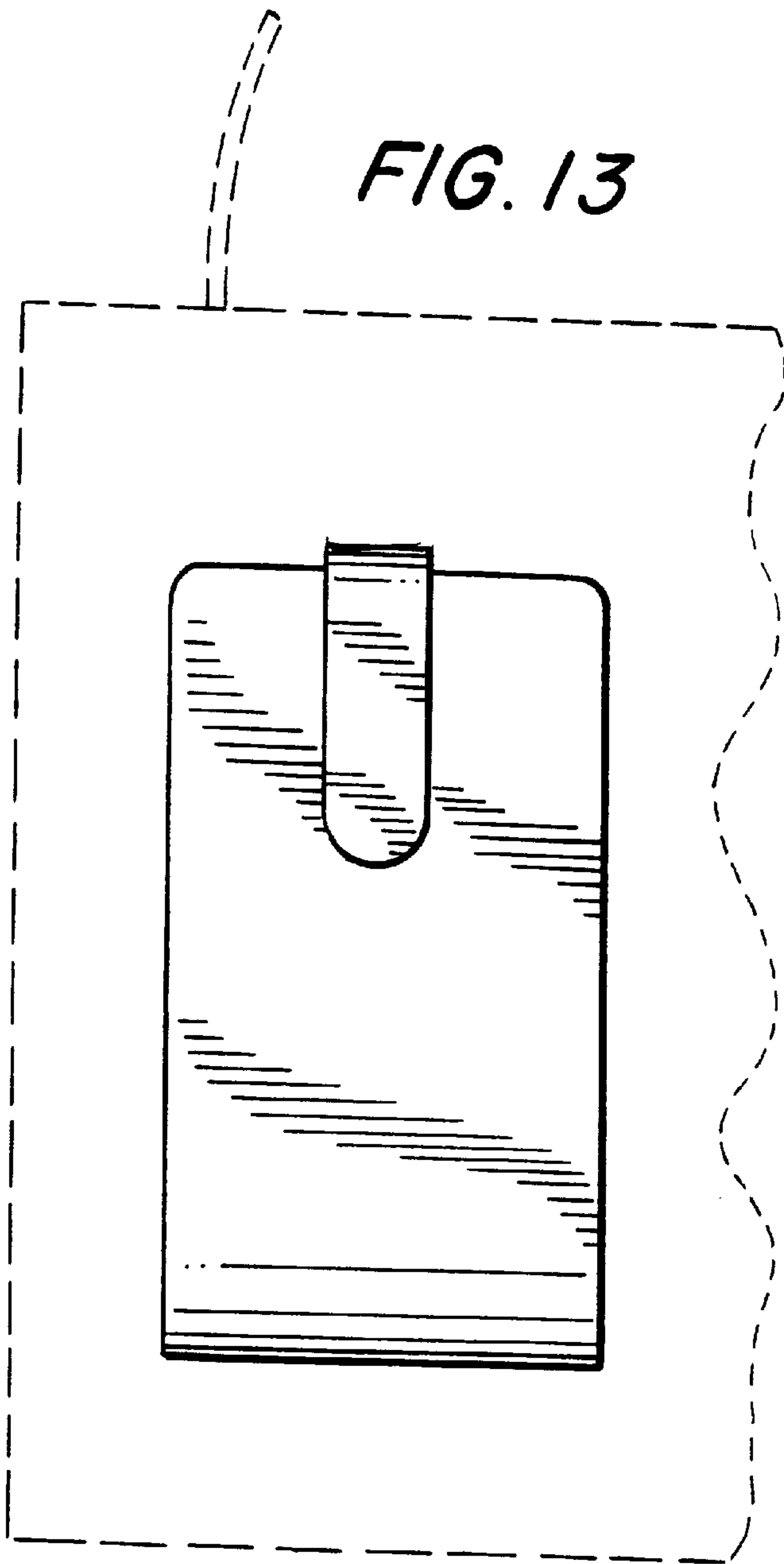
*FIG. 10*

*FIG. 11*

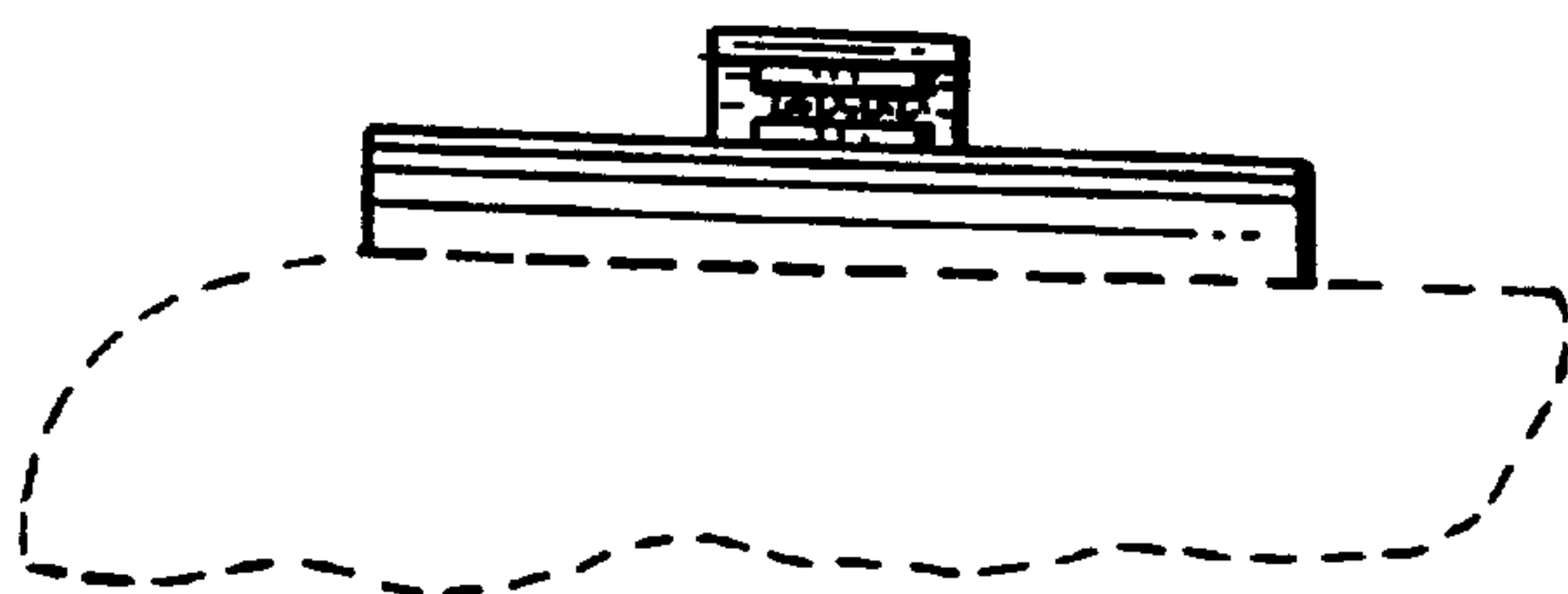
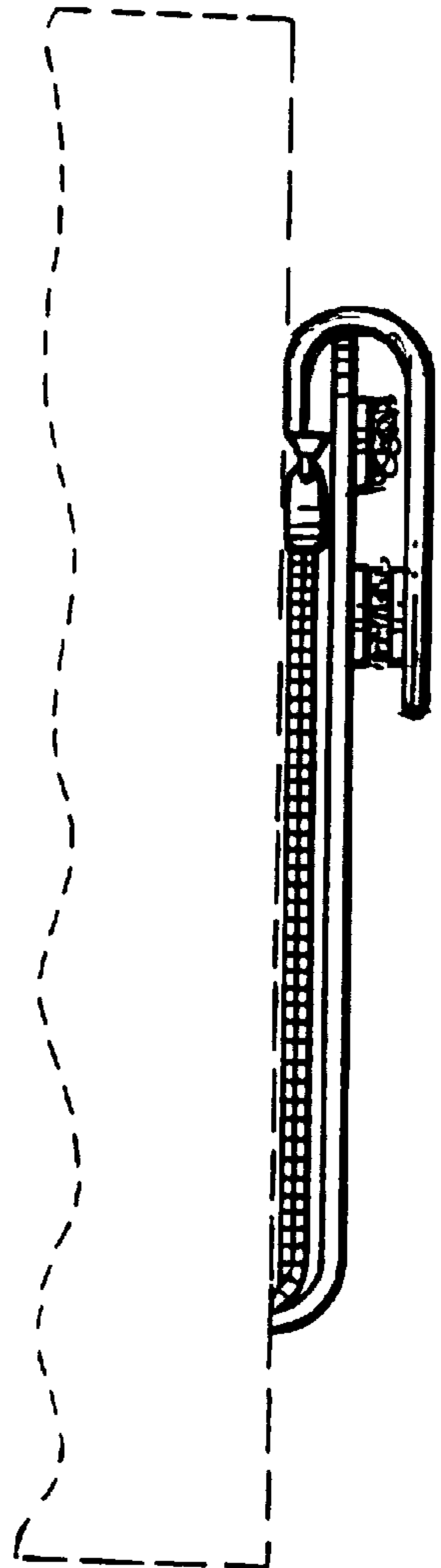


*FIG. 12*

*FIG. 13*



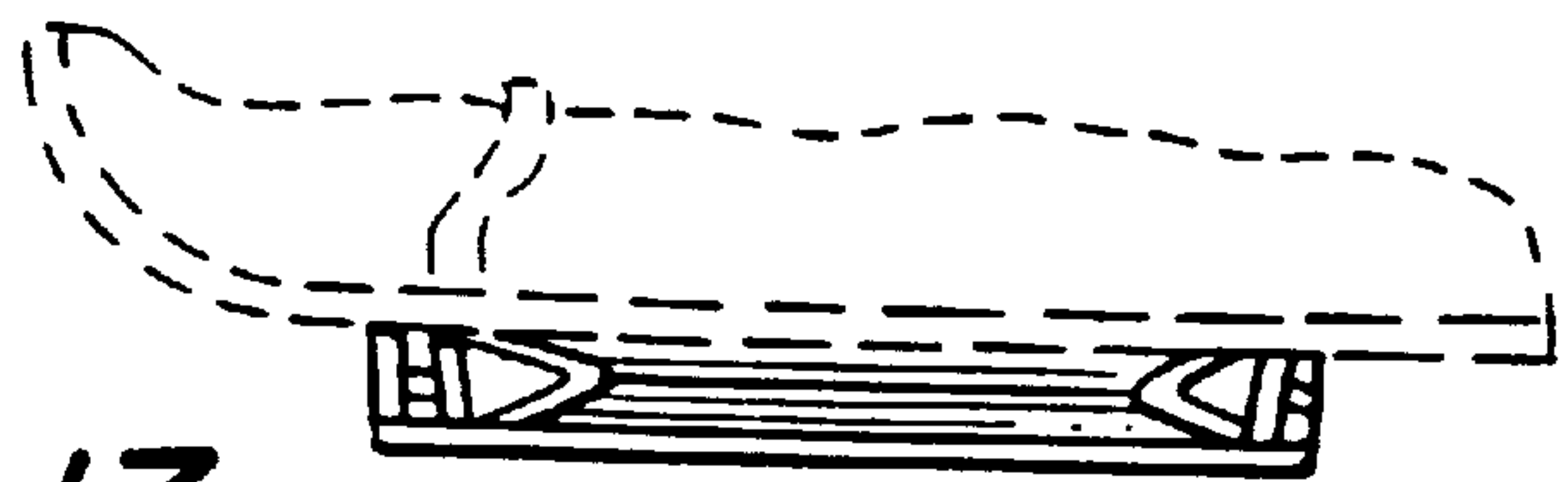
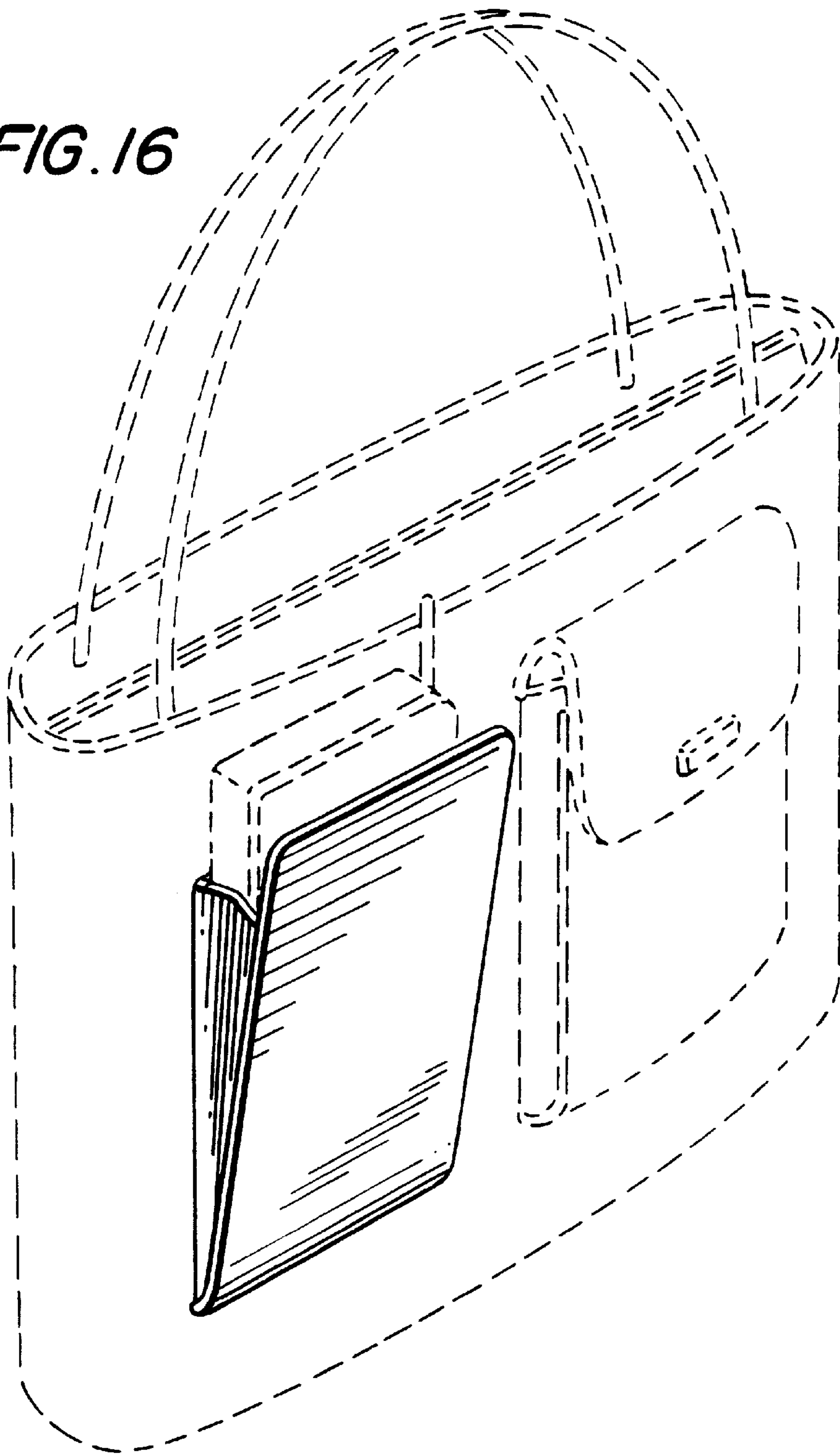
*FIG. 14*



*FIG. 15*

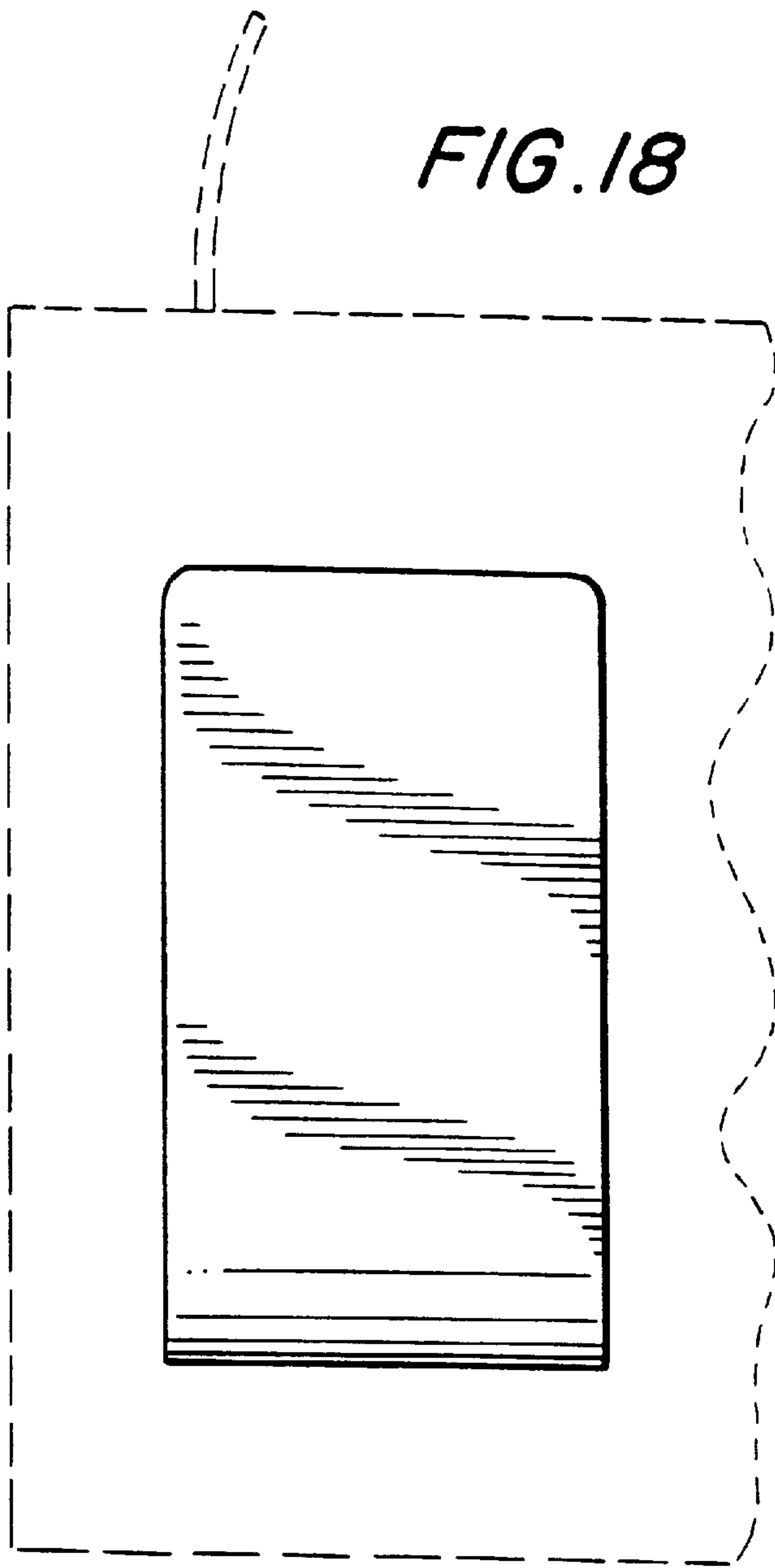


**FIG. 16**

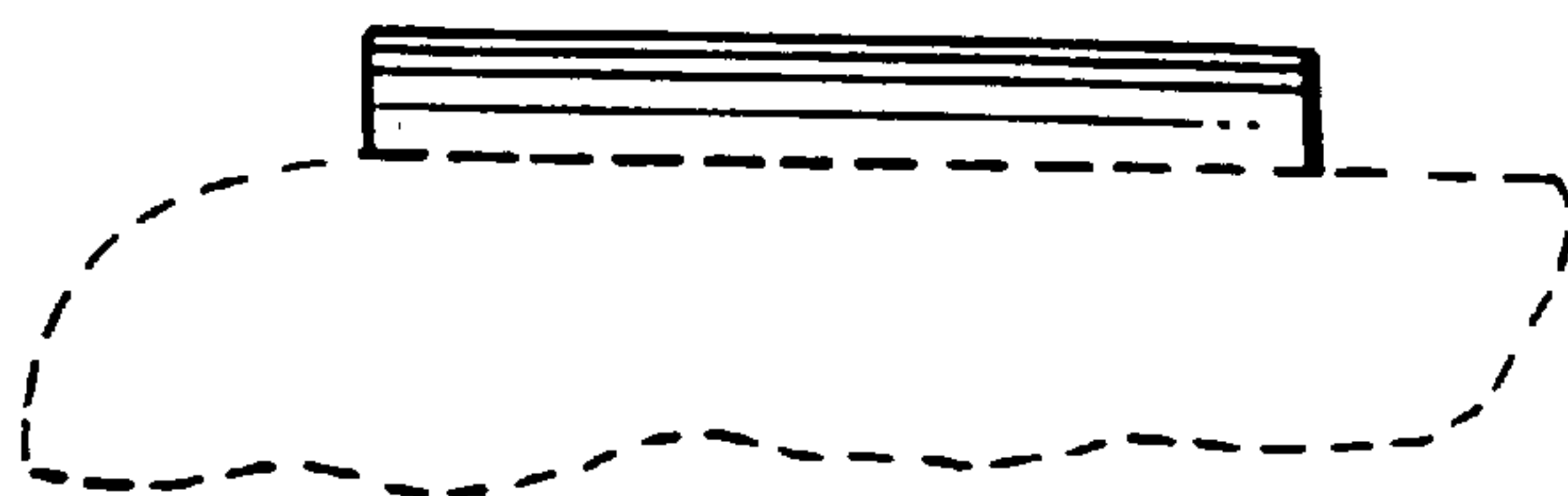
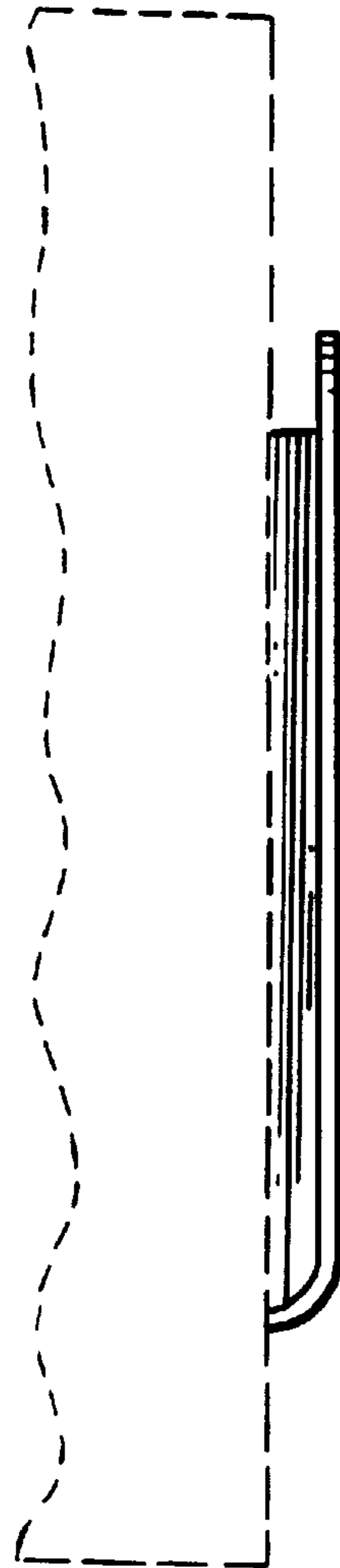


**FIG. 17**

*FIG. 18*



*FIG. 19*



*FIG. 20*

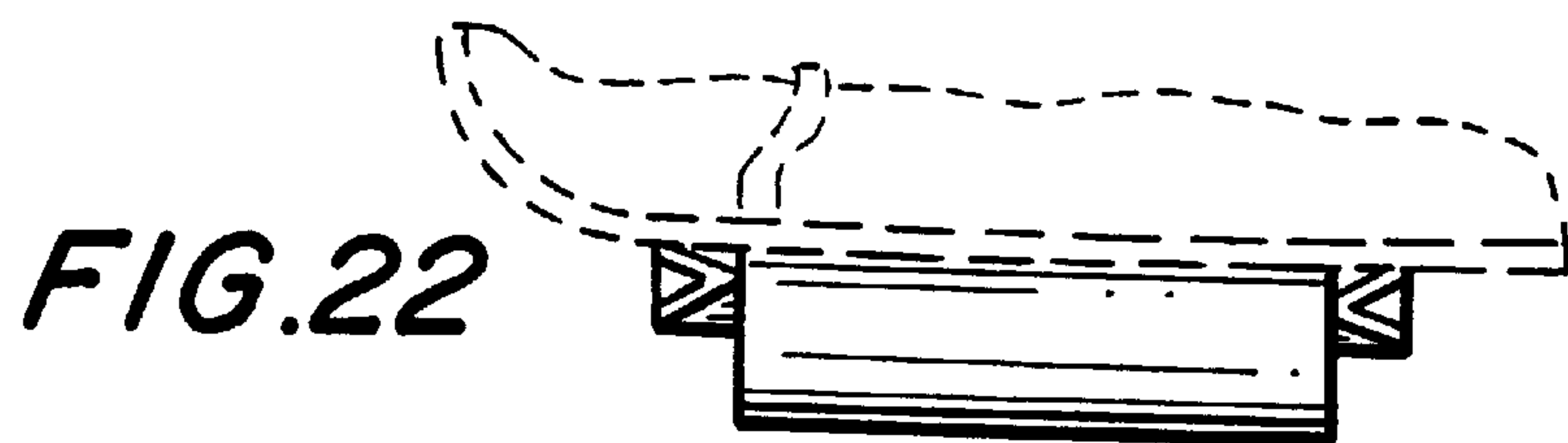
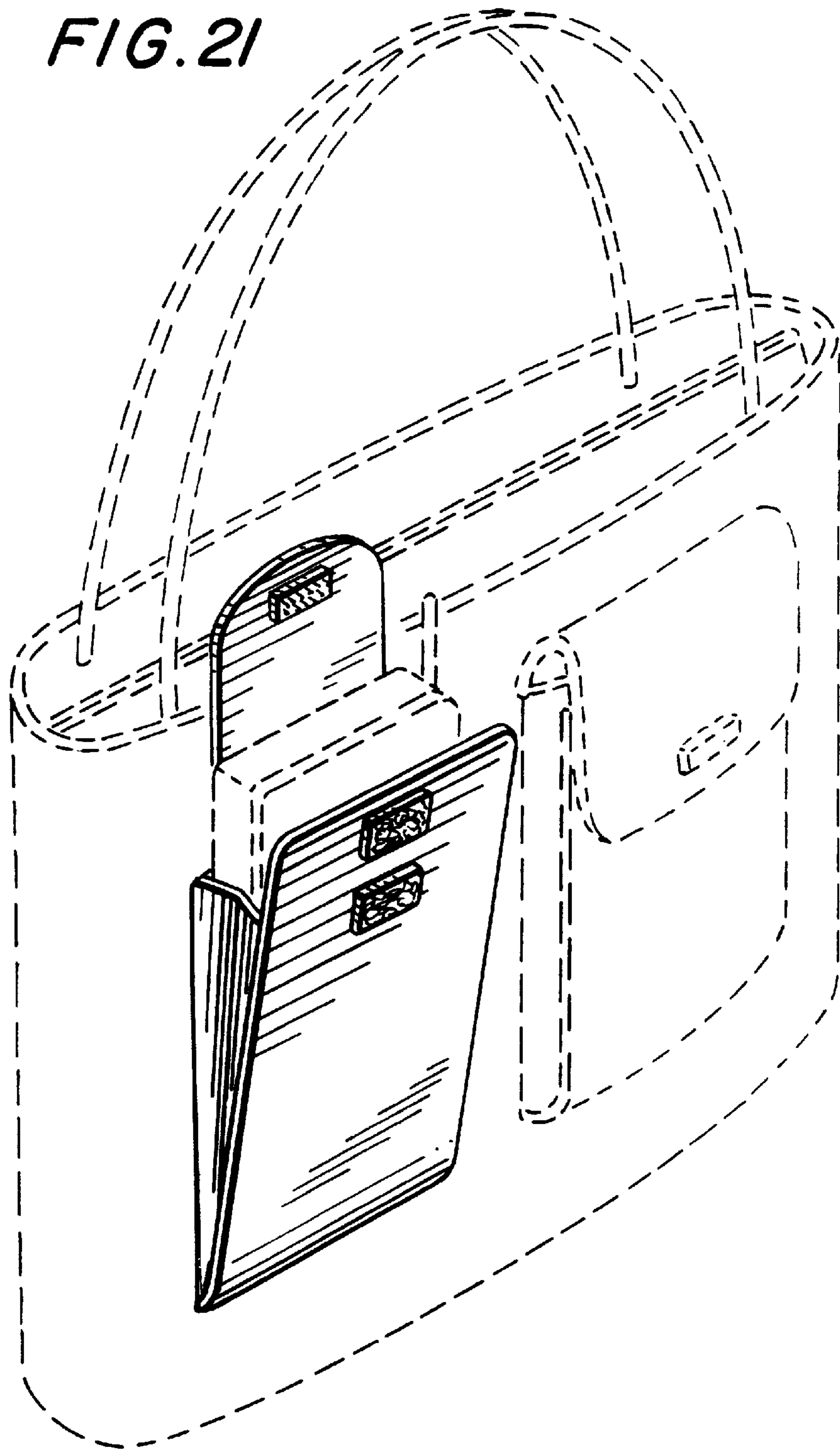


FIG. 23

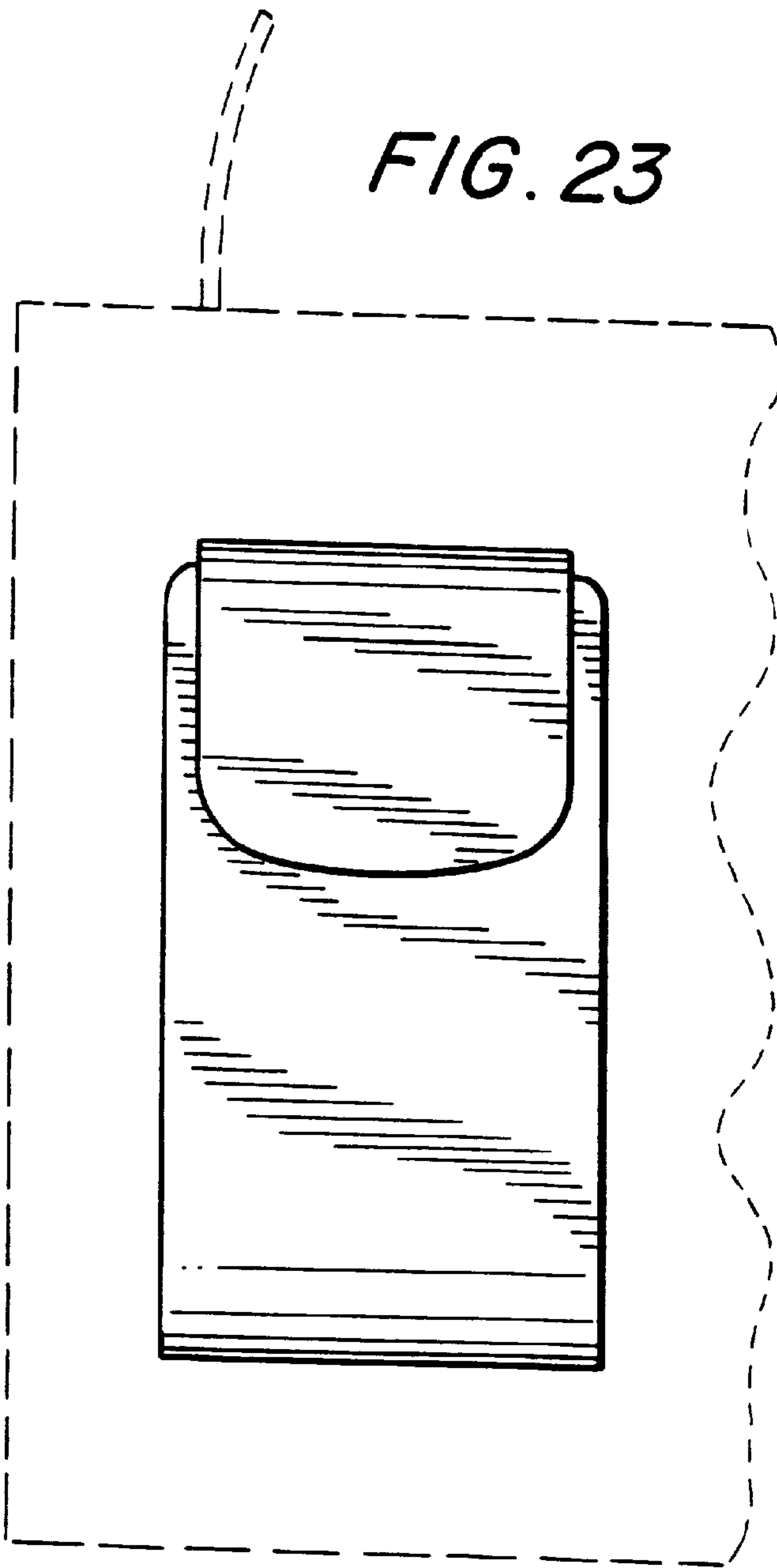


FIG. 24

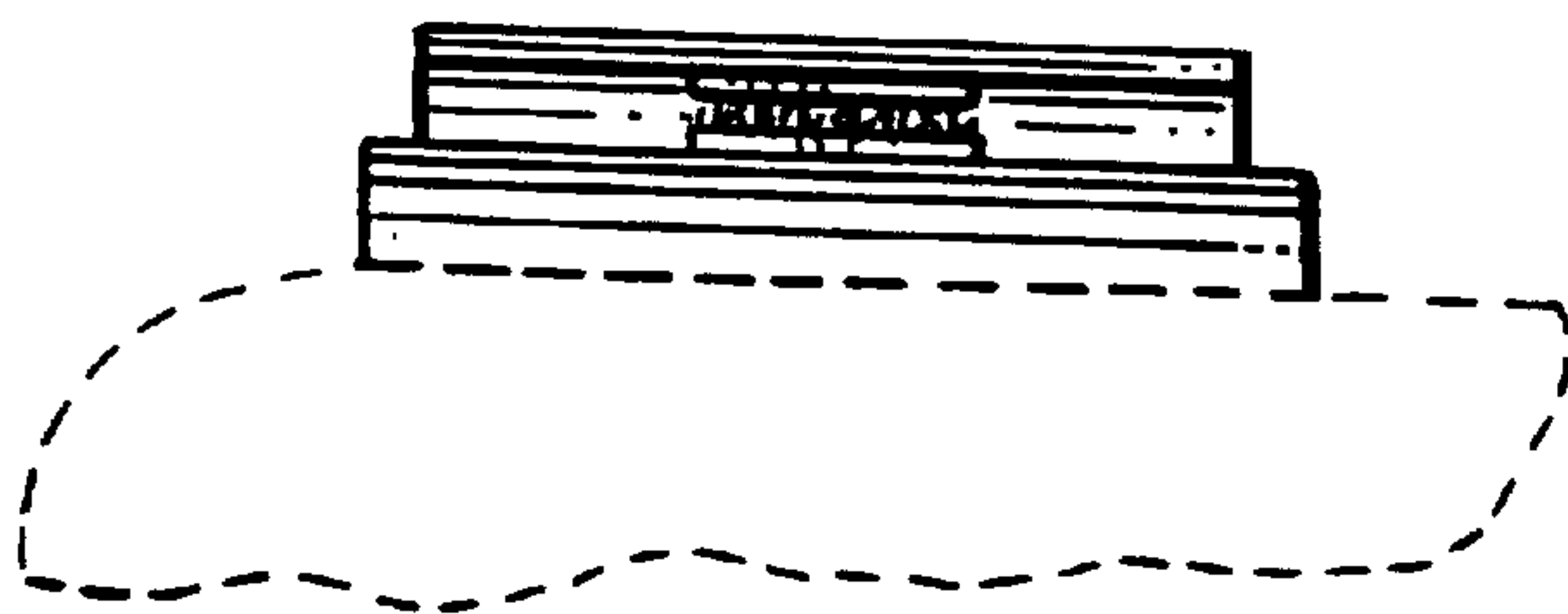
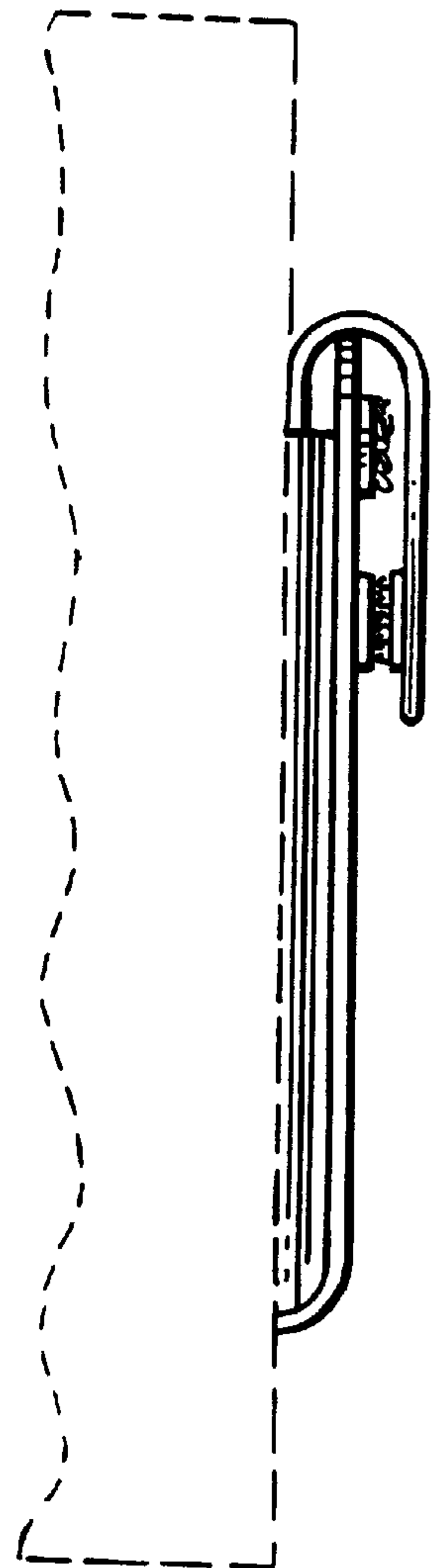
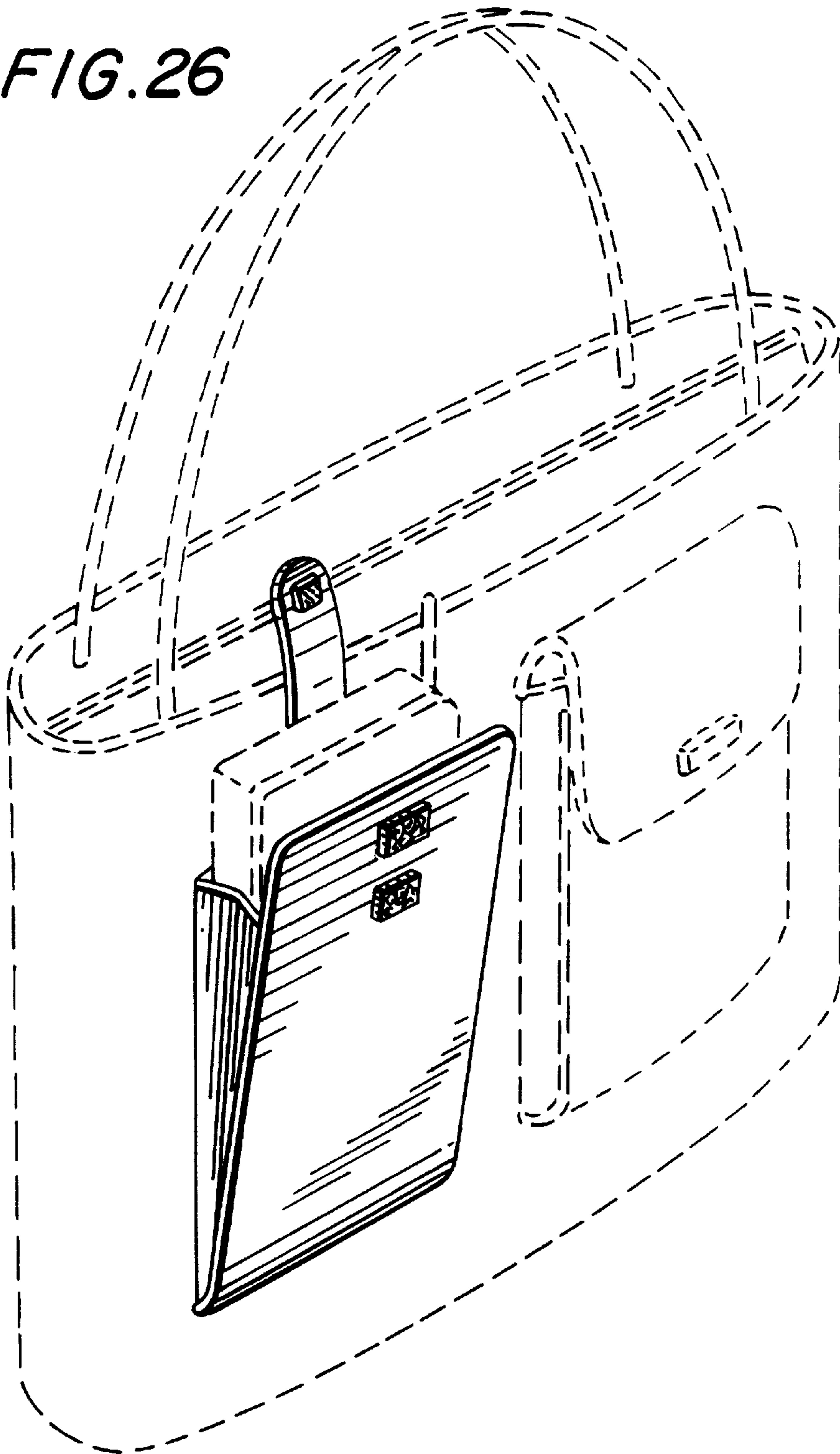
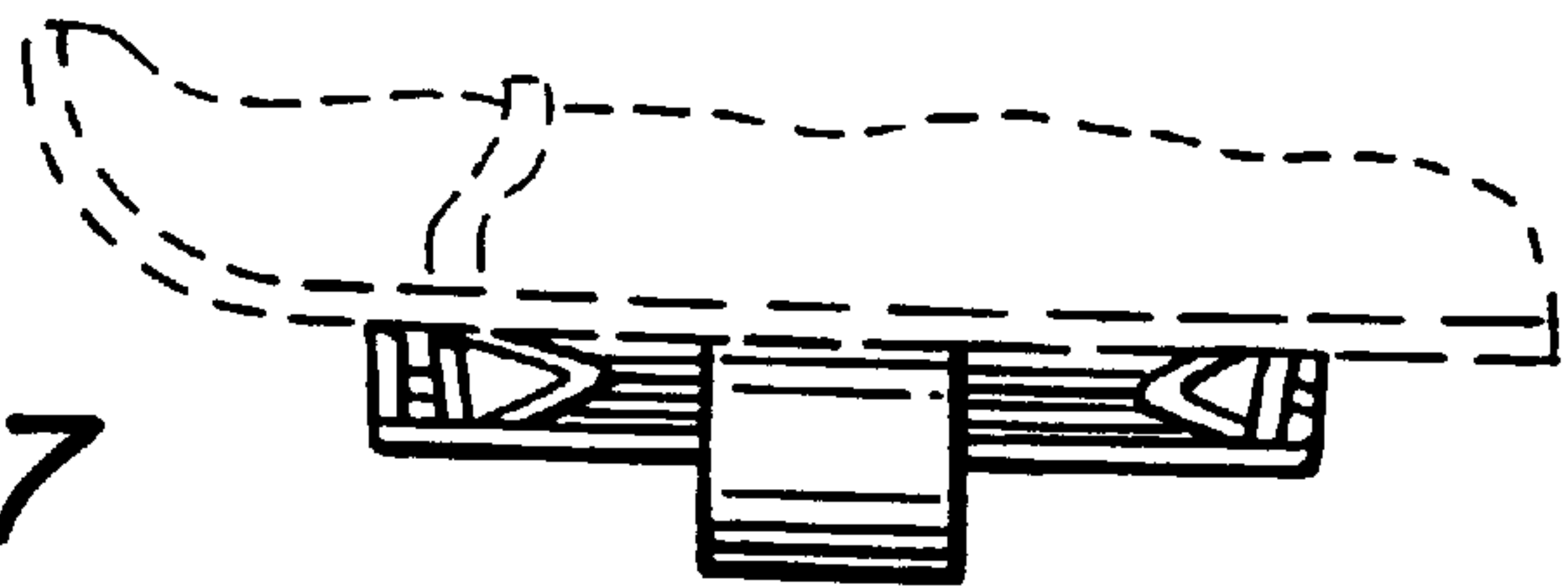


FIG. 25

*FIG. 26*

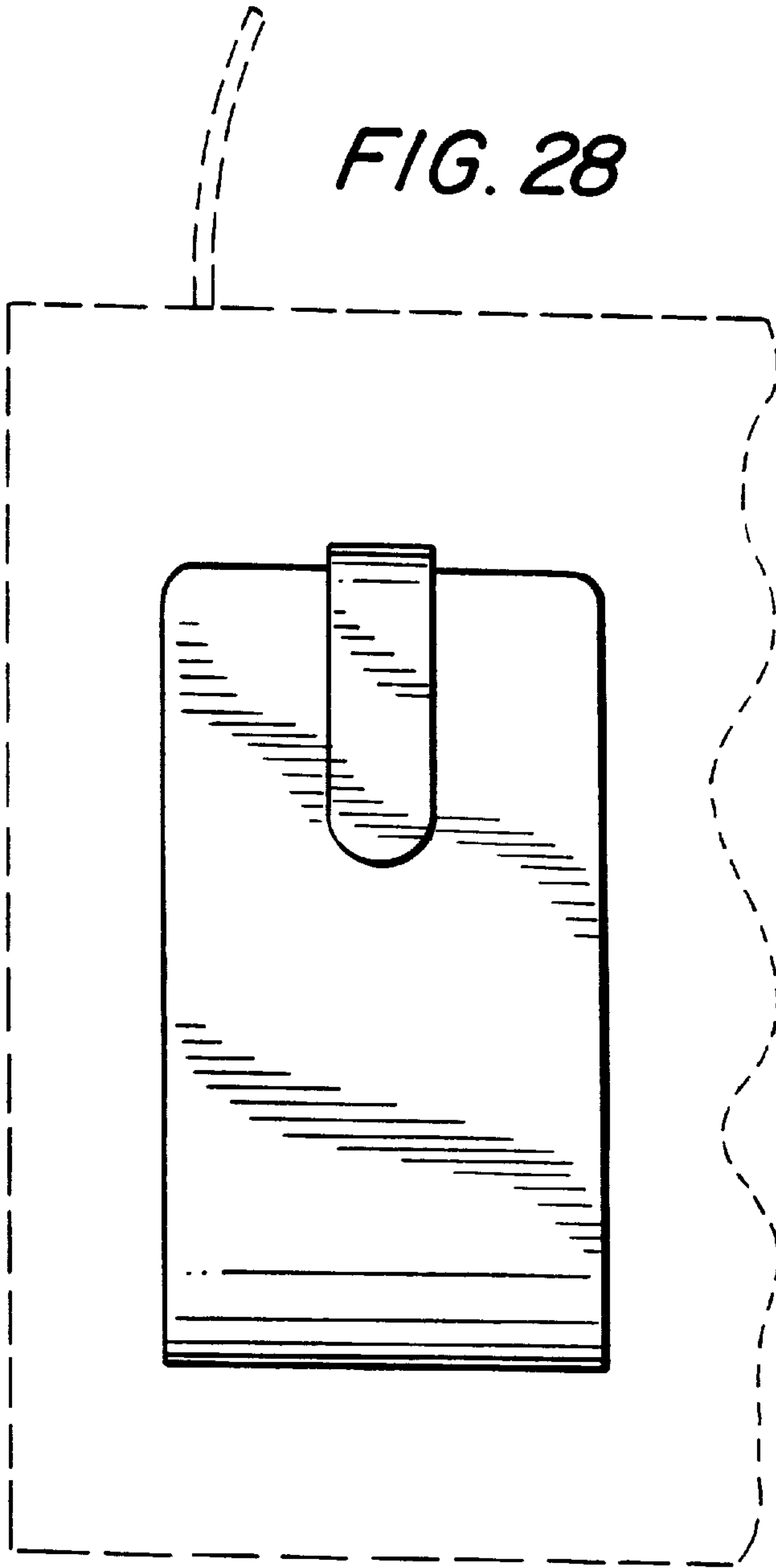


*FIG. 27*

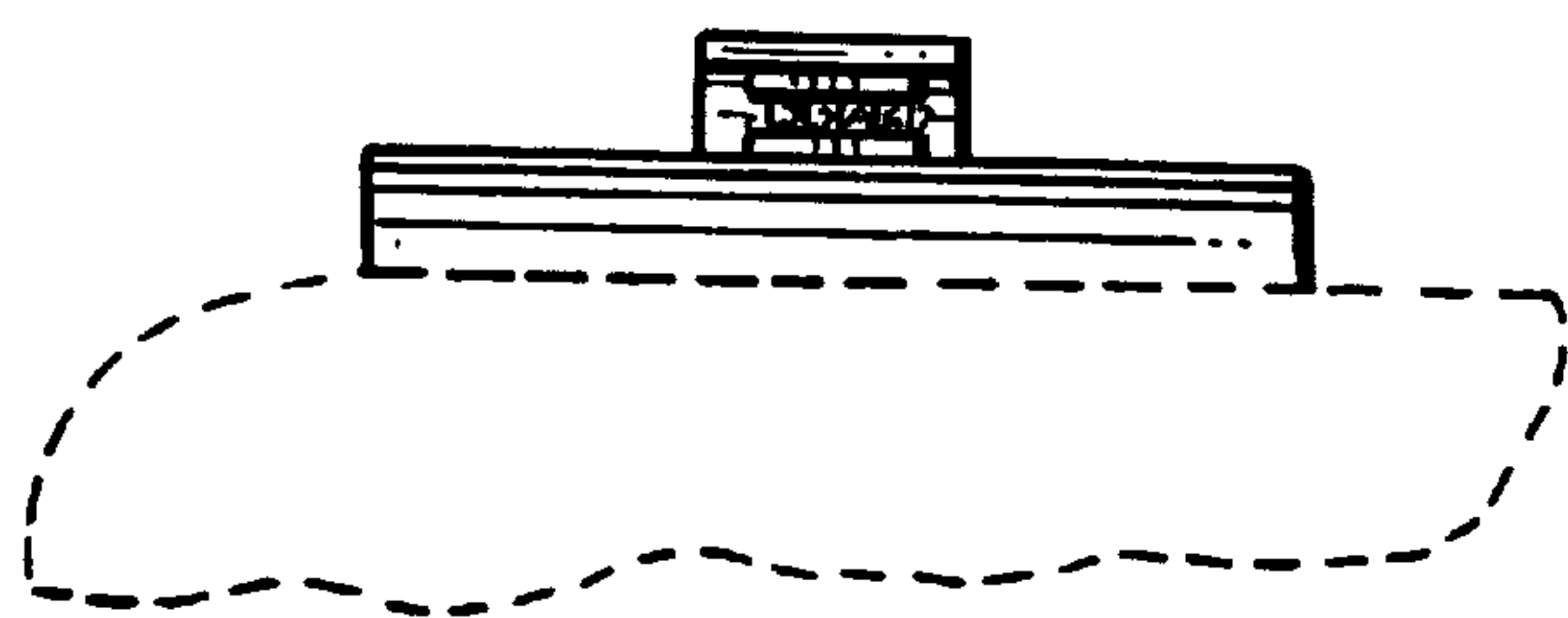
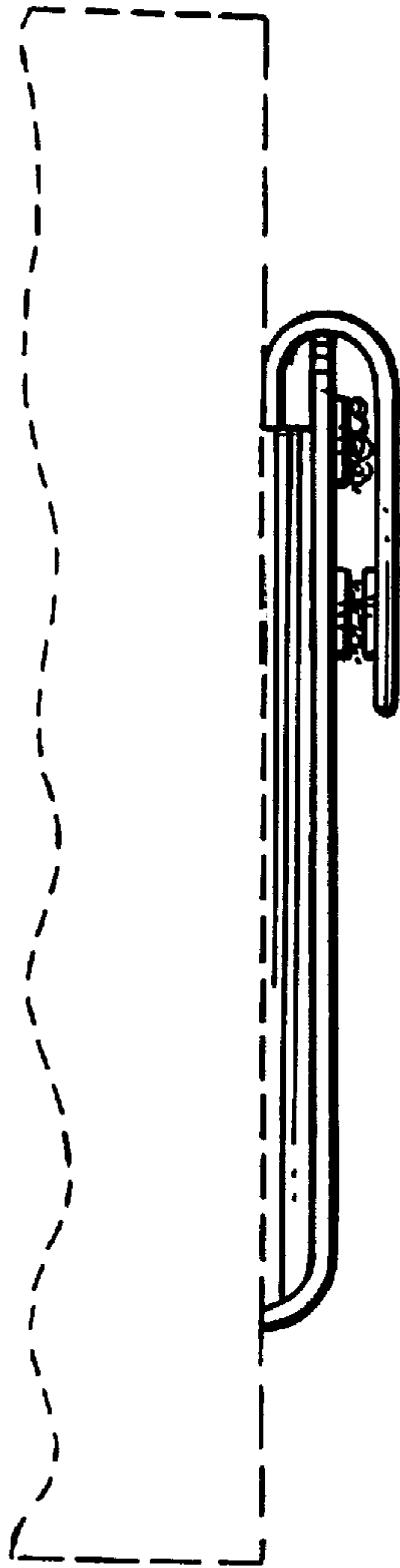




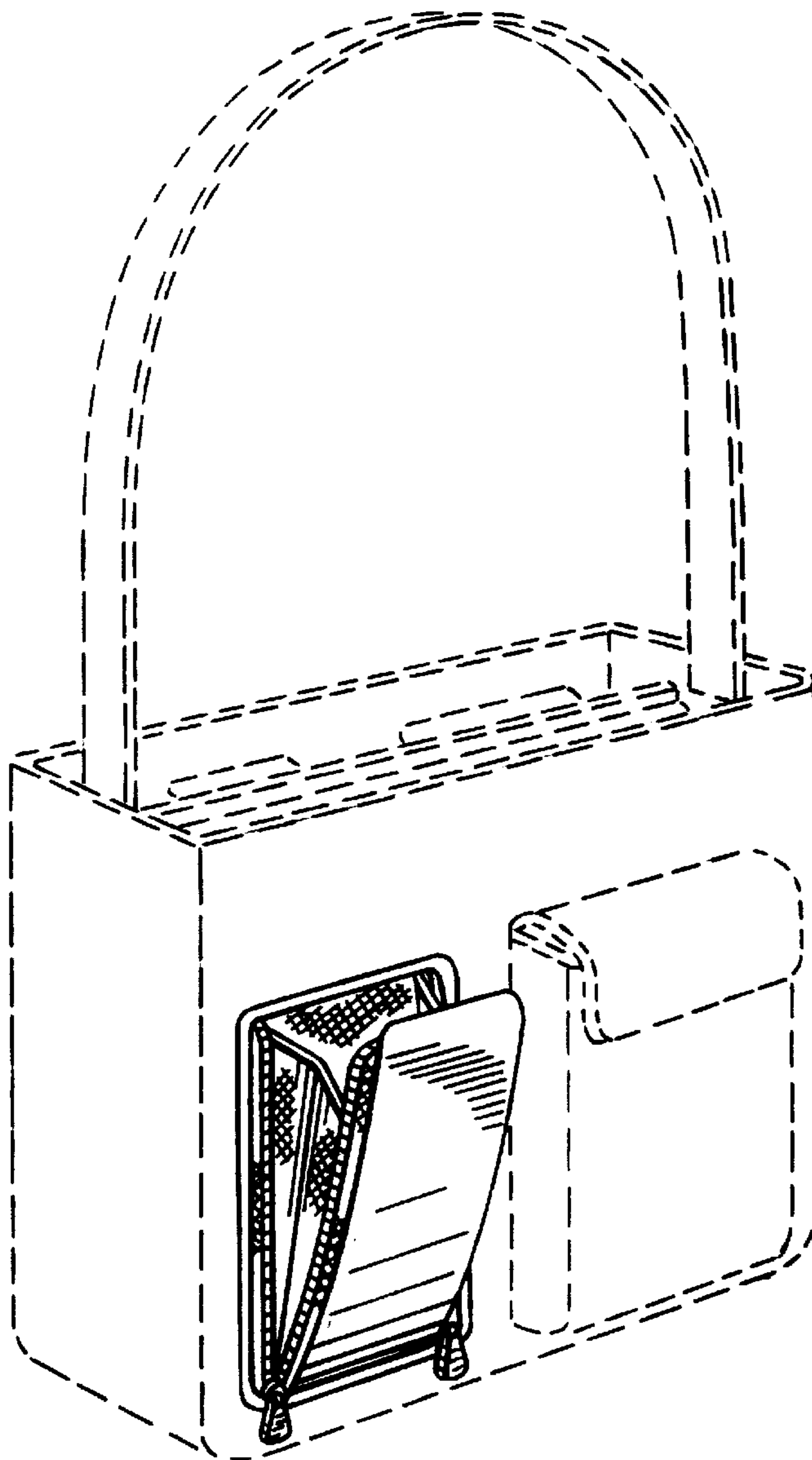
*FIG. 28*



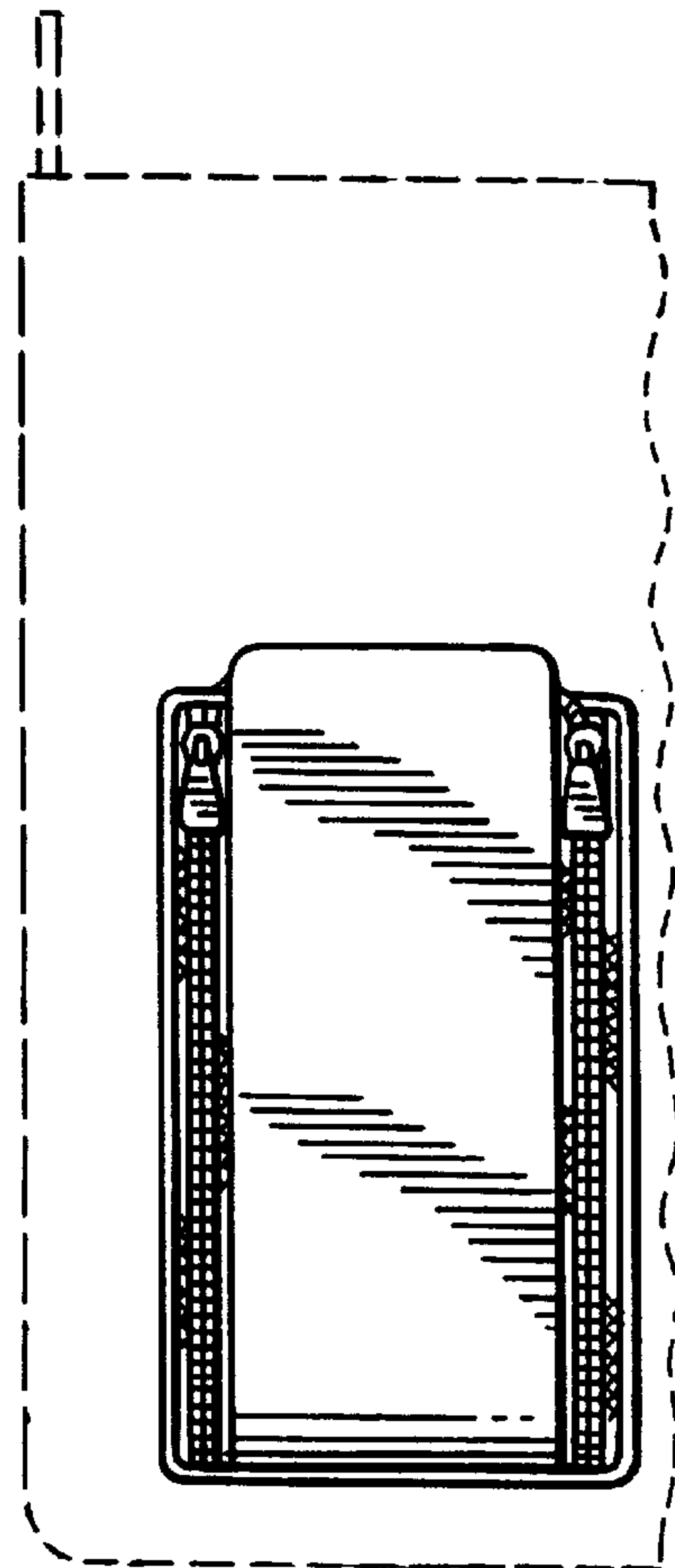
*FIG. 29*



*FIG. 30*

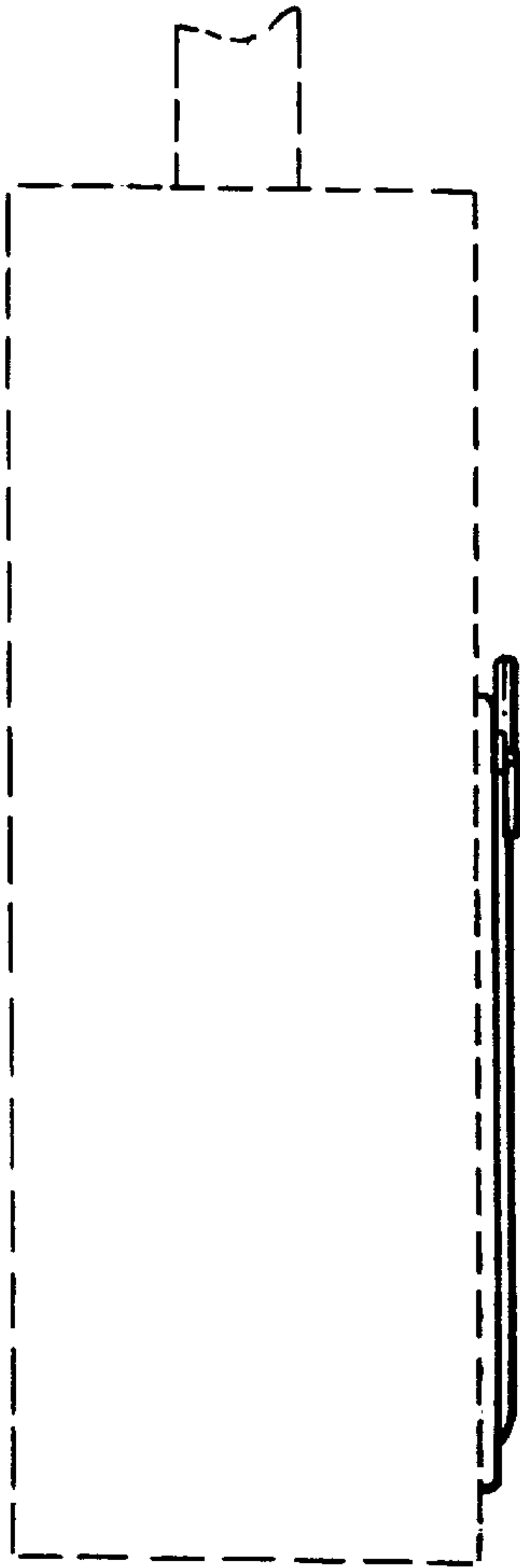
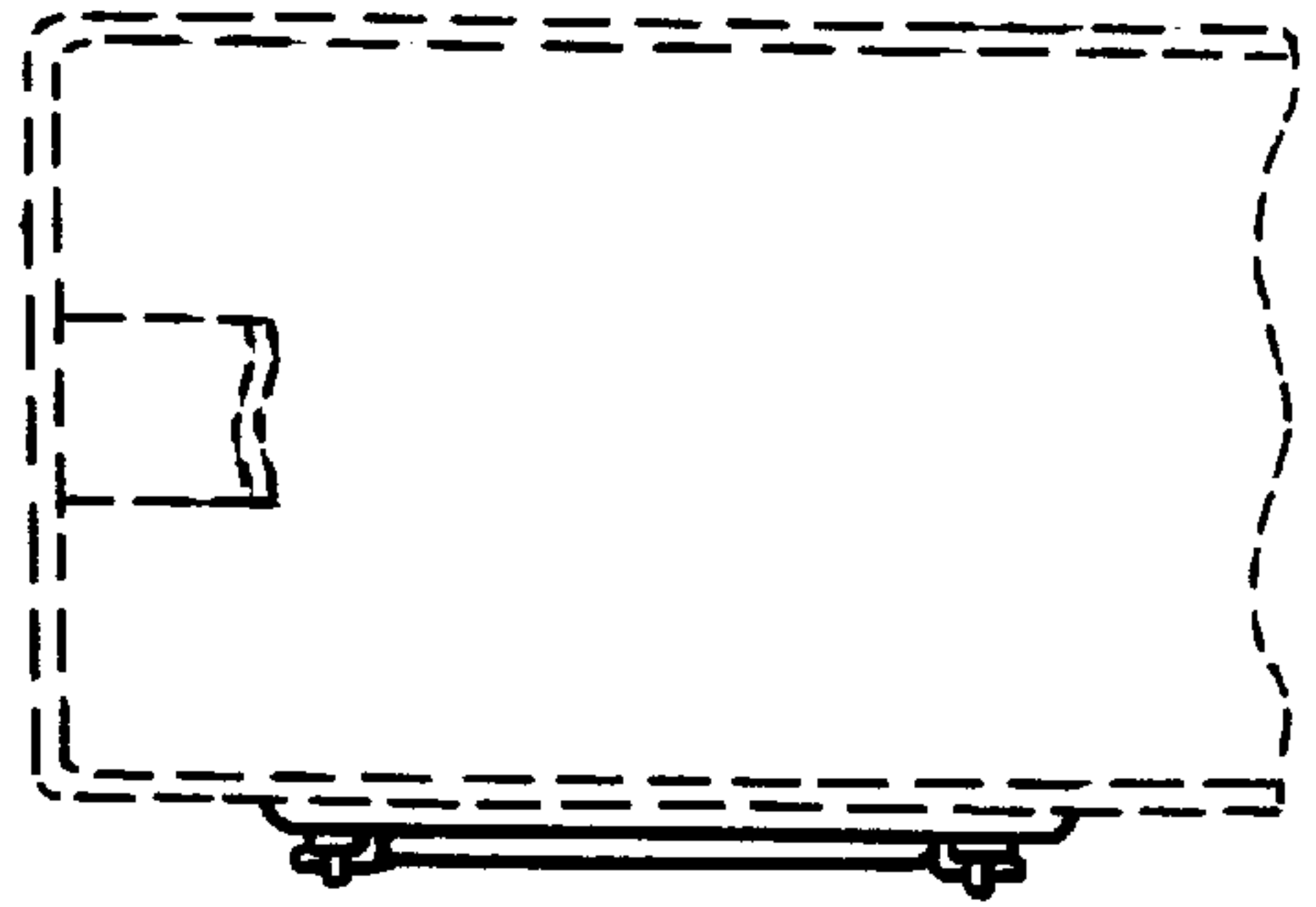


*FIG. 31*



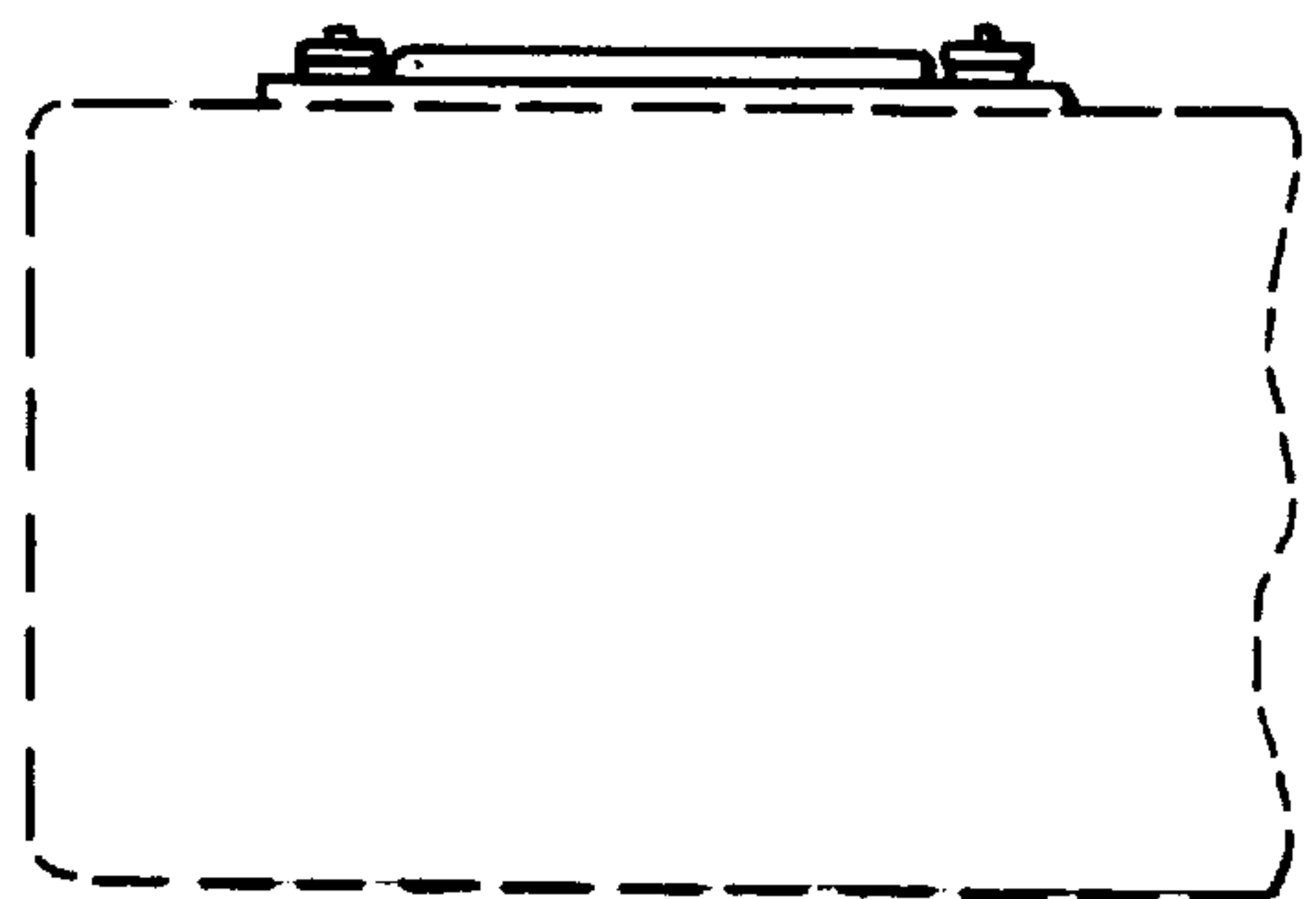
*FIG. 32*

*FIG. 33*

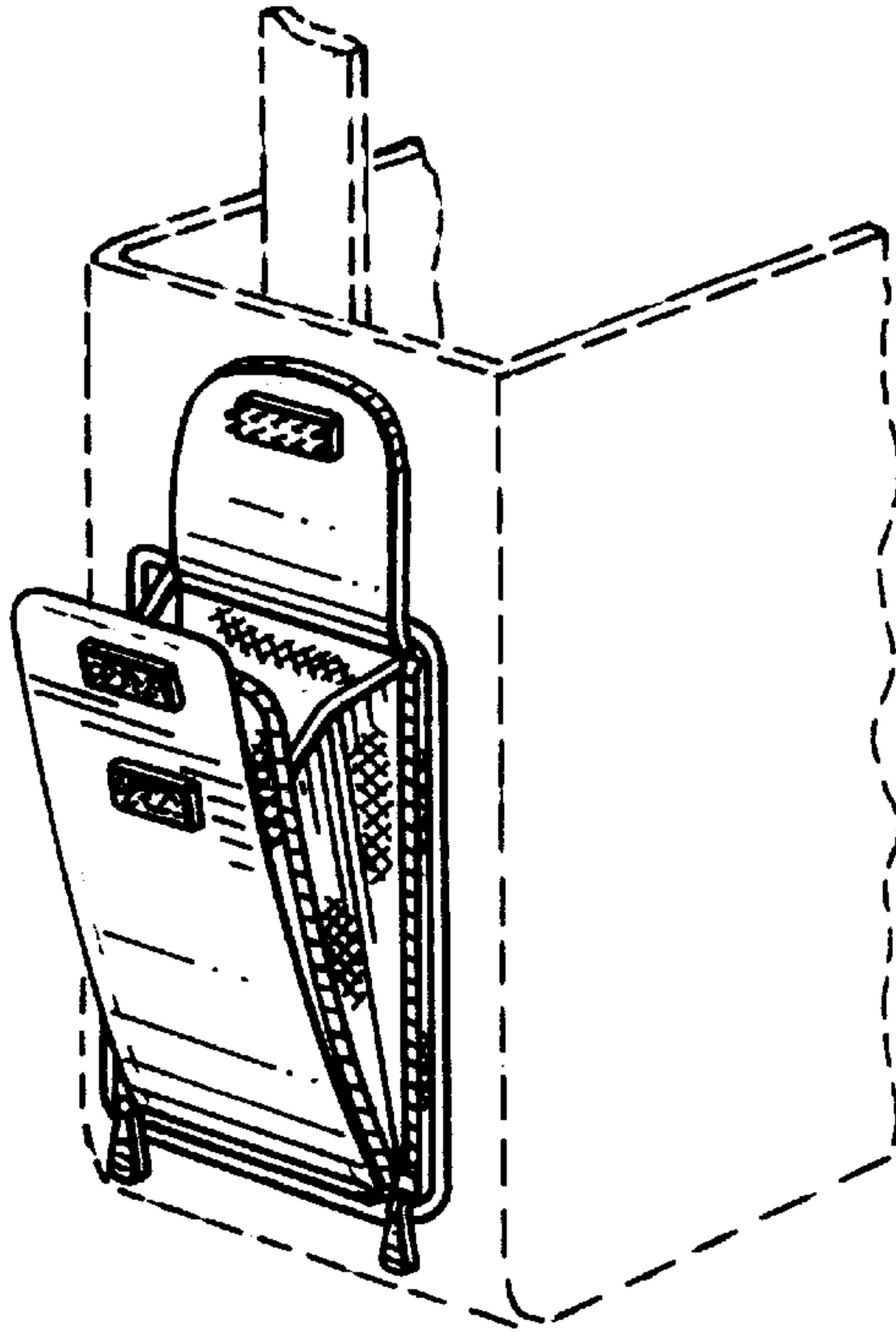


*FIG. 34*

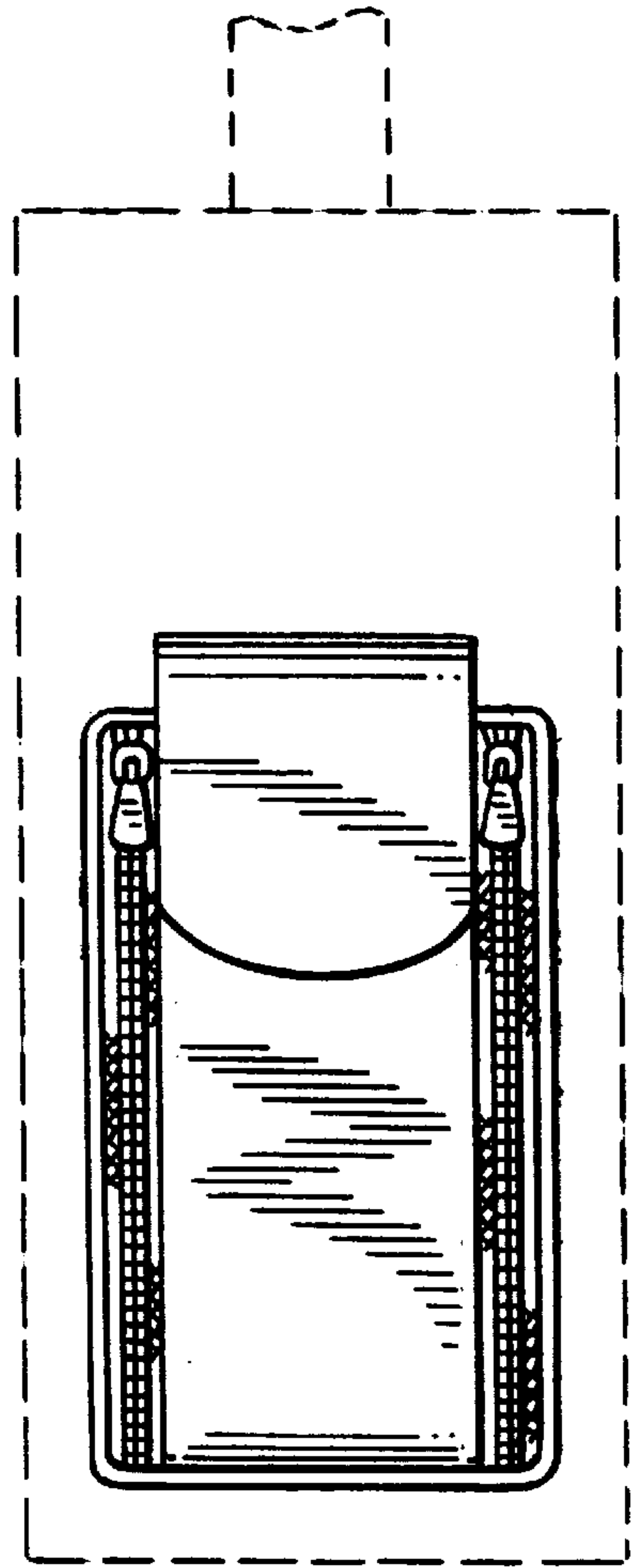
*FIG. 35*



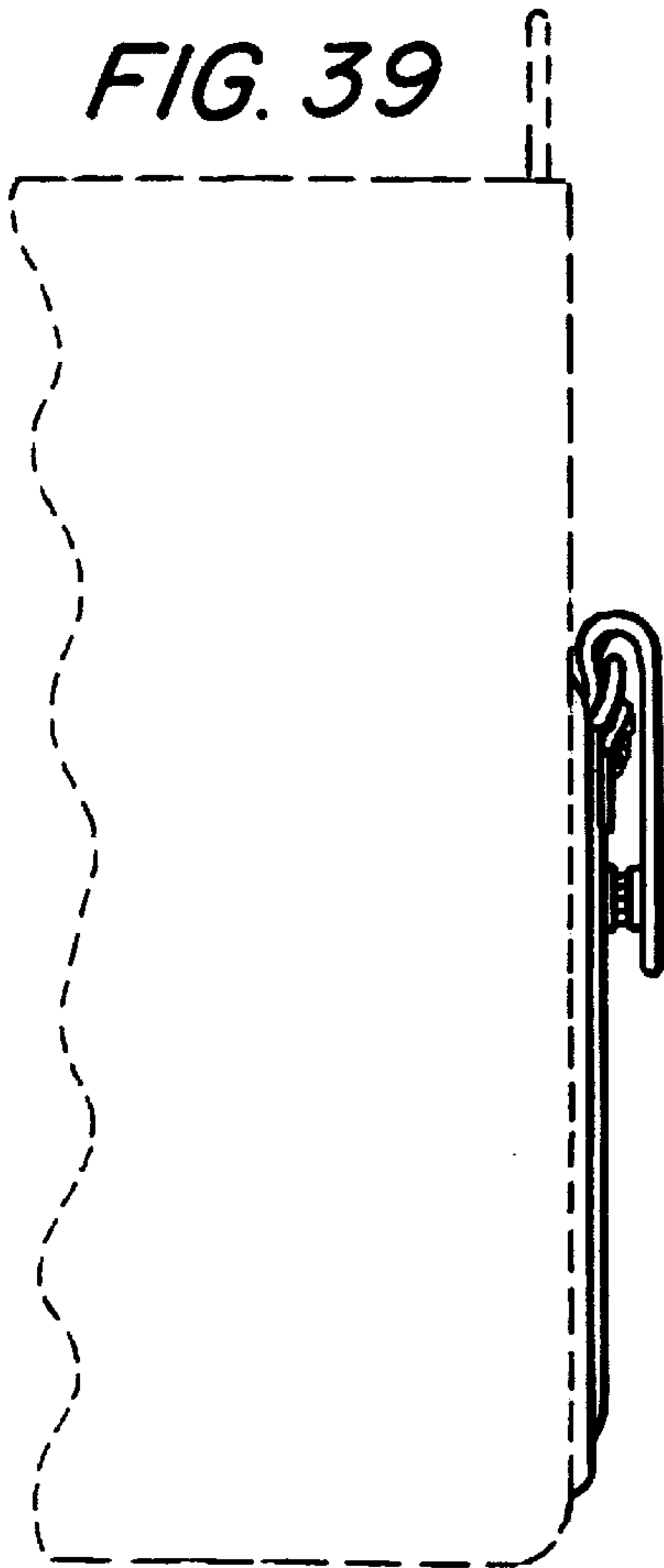
*FIG. 36*



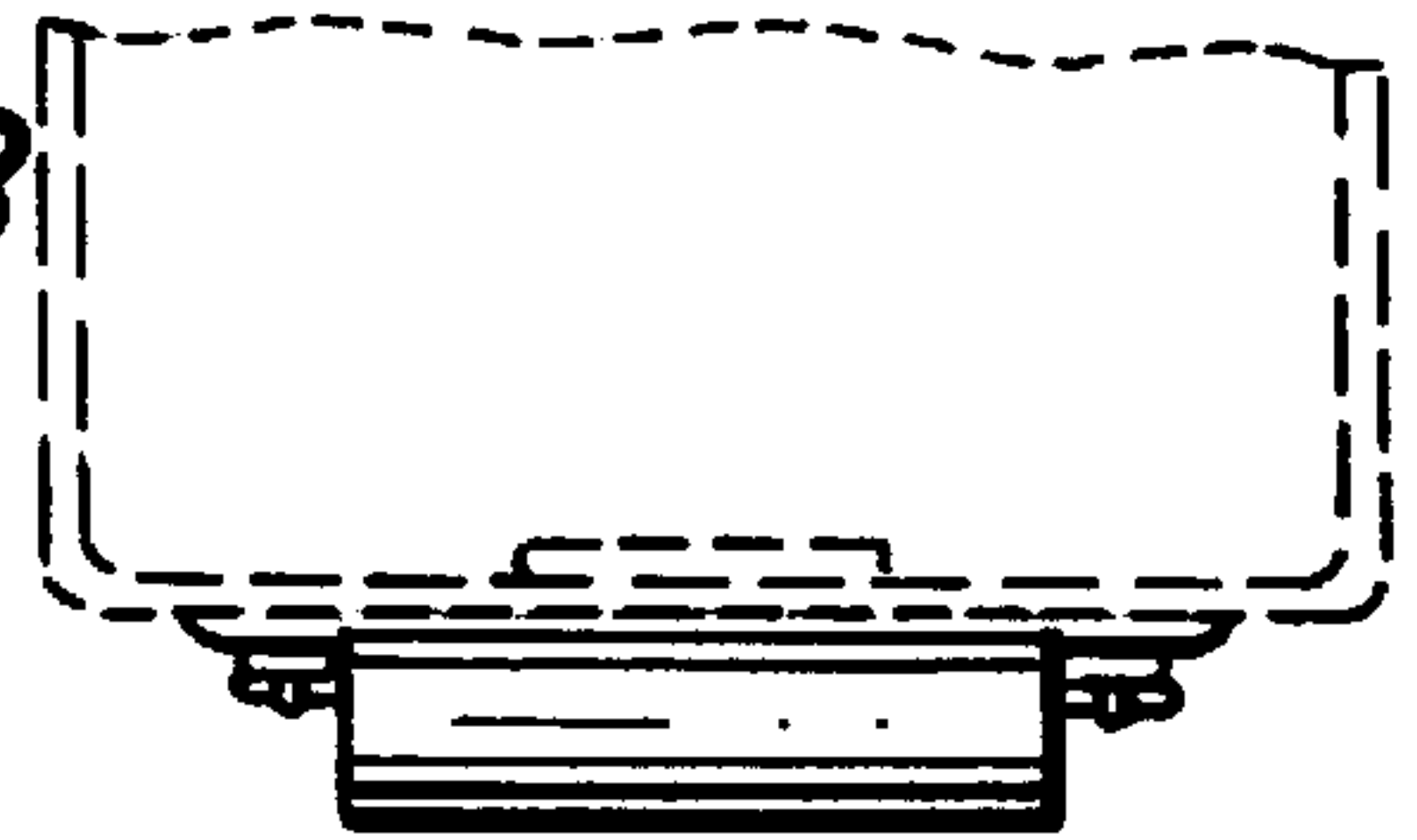
*FIG. 37*



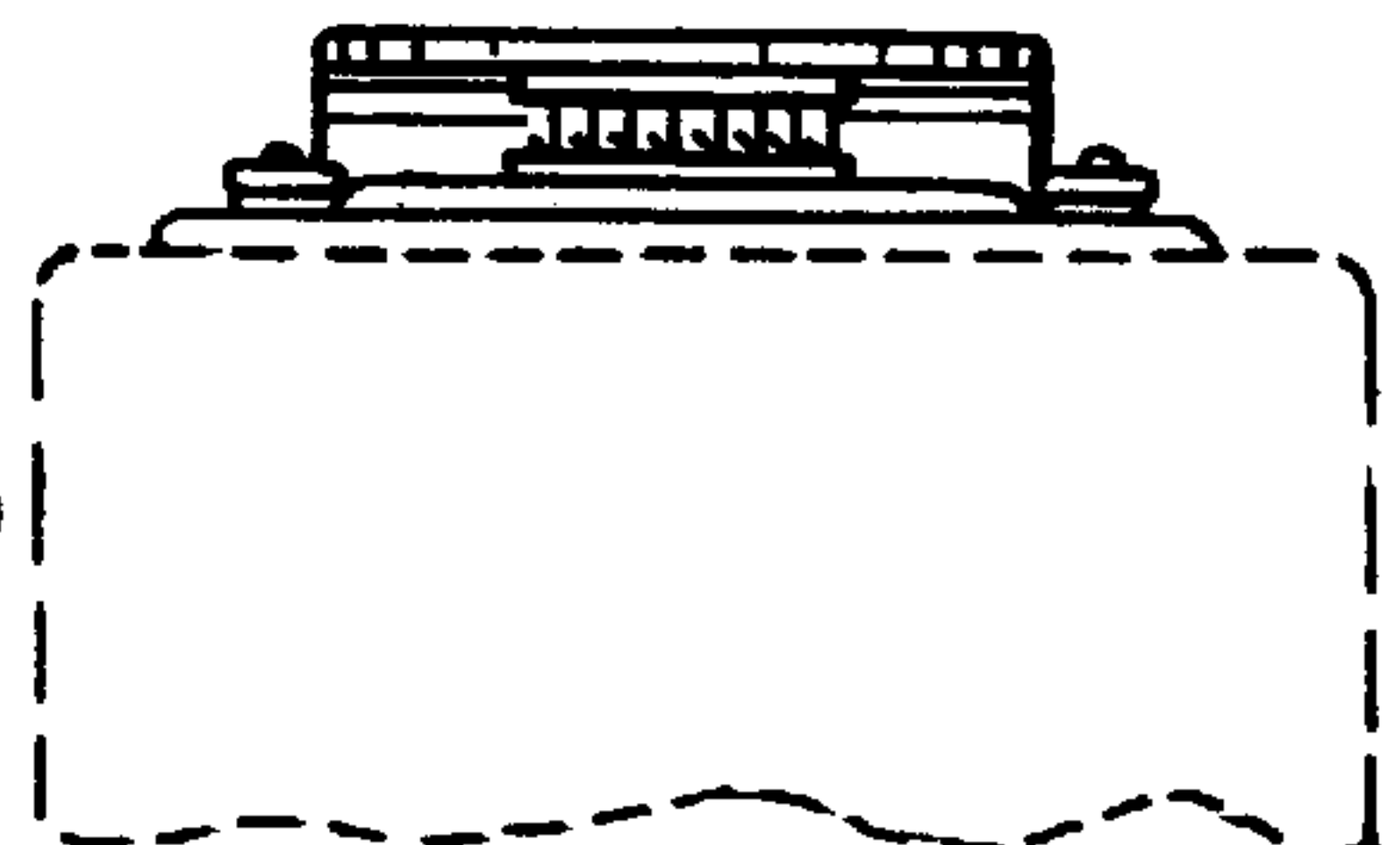
*FIG. 39*



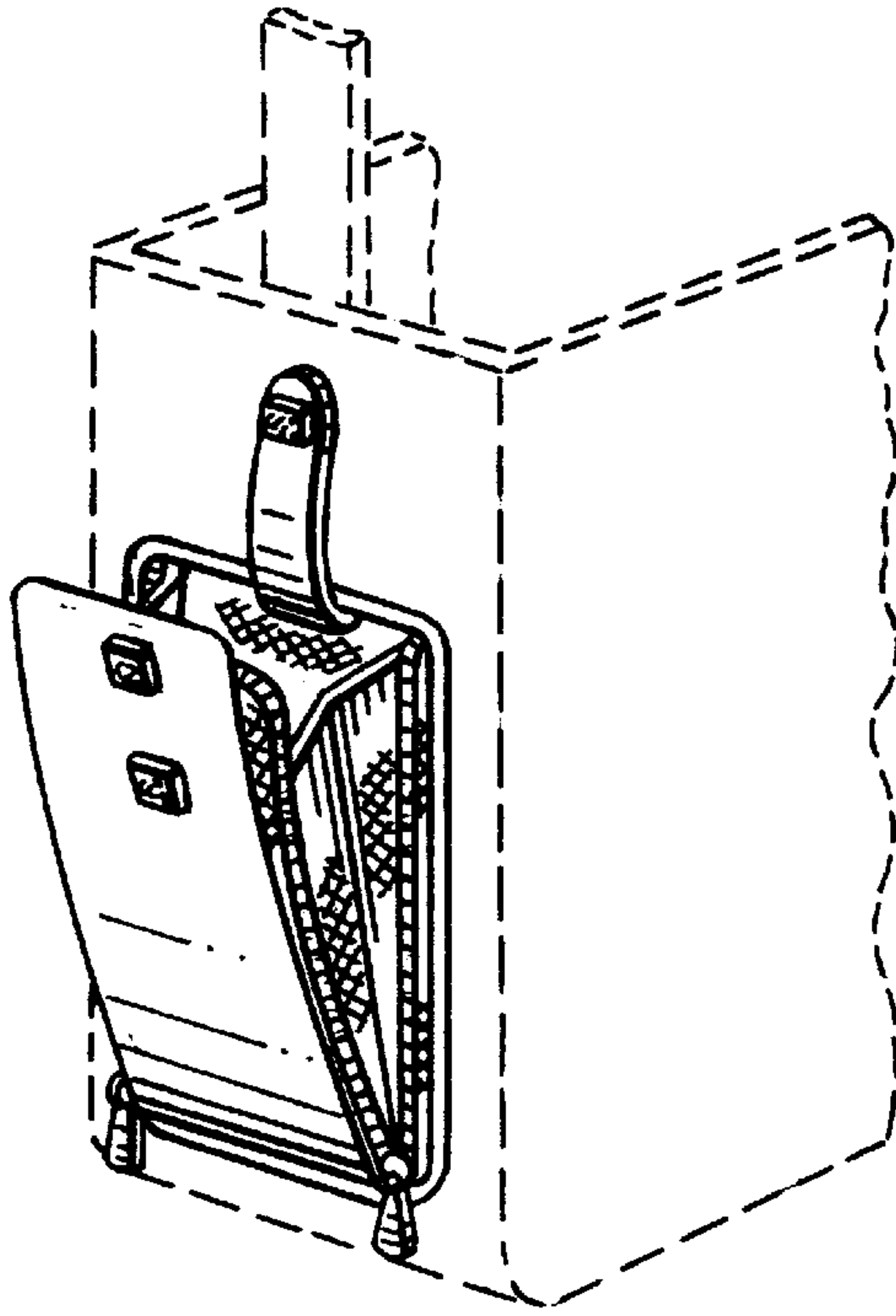
*FIG. 38*



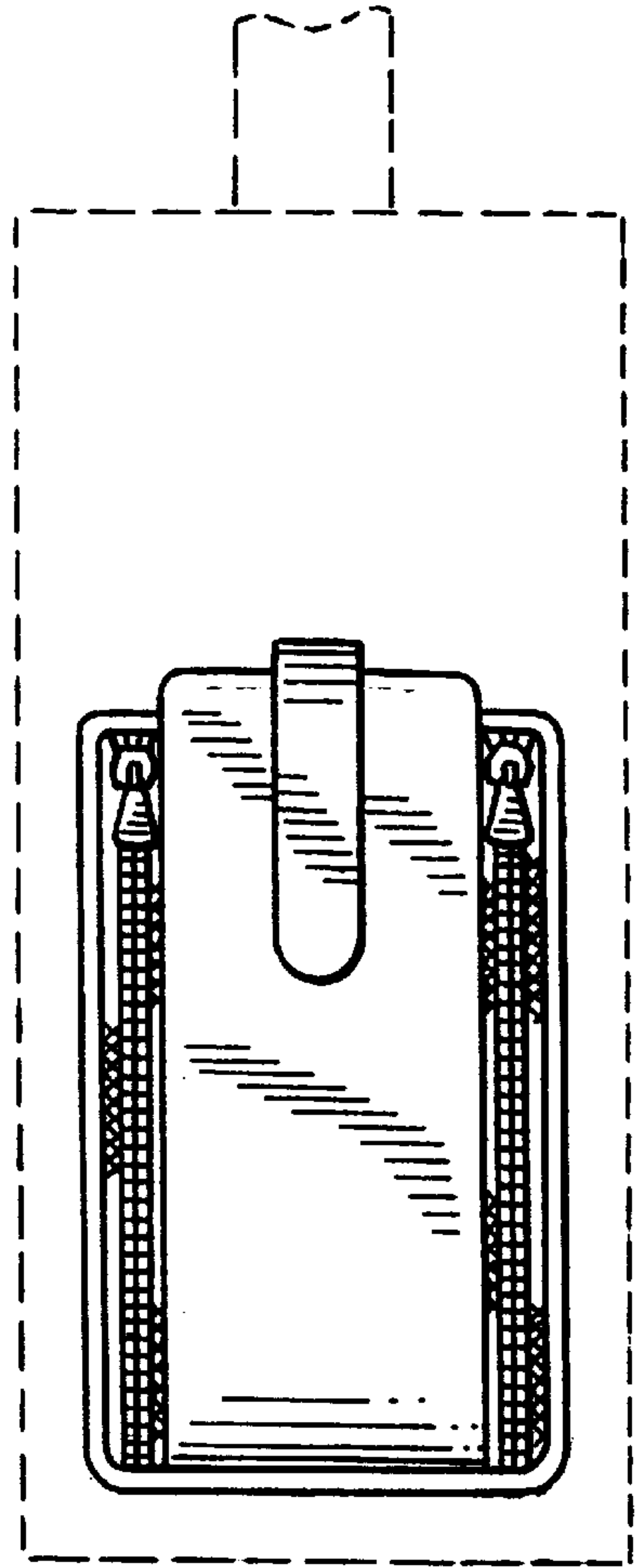
*FIG. 40*



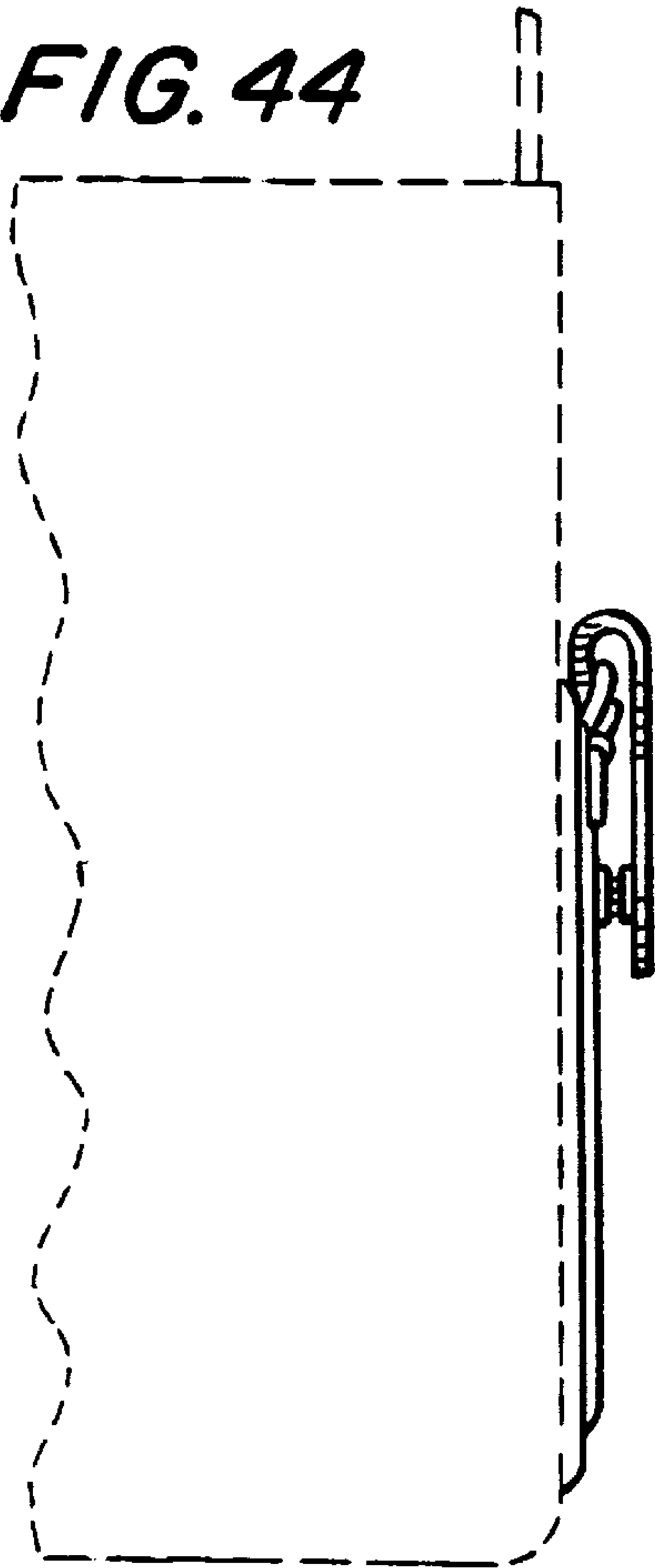
*FIG. 41*



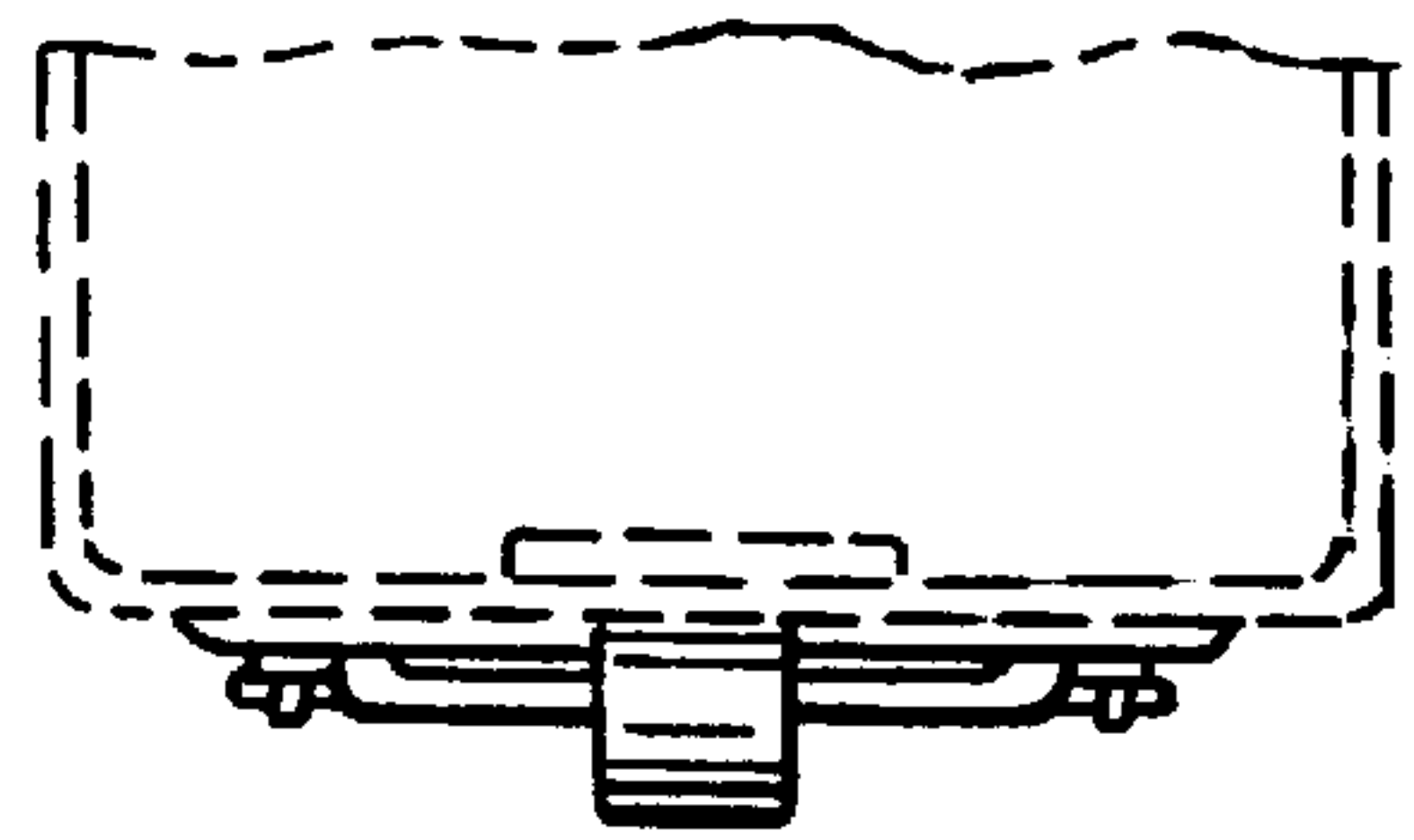
*FIG. 42*



*FIG. 44*



*FIG. 43*



*FIG. 45*

