



US00D442781S

(12) **United States Design Patent**
Snider

(10) **Patent No.:** **US D442,781 S**

(45) **Date of Patent:** **** May 29, 2001**

(54) **ARTICLE CARRIER**

FOREIGN PATENT DOCUMENTS

(75) Inventor: **Gregory S. Snider**, Bel Air, MD (US)

81 12 879	10/1981	(DE) .
85 01 388	4/1985	(DE) .
87 05 604	6/1987	(DE) .
38 25 195 A1	4/1989	(DE) .
299 01 393		
U1	5/1999	(DE) .
0 348 694 B1	8/1995	(EP) .
WO 93/02586	2/1993	(WO) .

(73) Assignee: **Black & Decker Inc.**, Newark, DE (US)

(**) Term: **14 Years**

(21) Appl. No.: **29/117,833**

(22) Filed: **Jan. 31, 2000**

(51) **LOC (7) Cl.** **03-01**

(52) **U.S. Cl.** **D3/299; D3/303**

(58) **Field of Search** D3/290, 299, 273, D3/283, 226, 228, 230; 224/901, 904, 914, 236, 240; 150/134, 143; 206/576

OTHER PUBLICATIONS

Camera Case.
Nite Ize ® Pock-Its Utility Holster—Website Information (3 pages).

(List continued on next page.)

Primary Examiner—Raphael Barkai
(74) *Attorney, Agent, or Firm*—Harness, Dickey & Pierce, P.L.C.

(56) **References Cited**

U.S. PATENT DOCUMENTS

D. 236,556	8/1975	Di Paola .	
D. 239,985	5/1976	Artz .	
D. 239,986	5/1976	Artz .	
D. 245,947	10/1977	Finley .	
D. 266,205	9/1982	Berman .	
D. 288,624 *	3/1987	Hoard	D3/299
D. 291,627	9/1987	Collins .	
D. 292,843	11/1987	Frezza .	
D. 306,654	3/1990	Brown .	
D. 323,937 *	2/1992	Solomon	D3/299
D. 331,318 *	12/1992	Abel et al.	D3/299
D. 333,913 *	3/1993	Tuman	D3/285
D. 348,542 *	7/1994	Cannella	D3/299
D. 348,776	7/1994	Anderson .	
D. 364,038	11/1995	Stanchin .	
D. 368,581	4/1996	Cincotta .	
D. 375,629 *	11/1996	Chen	D3/283
D. 378,633	4/1997	Granito .	
D. 384,810	10/1997	Kopel .	
D. 387,906 *	12/1997	Petty	D3/285

(List continued on next page.)

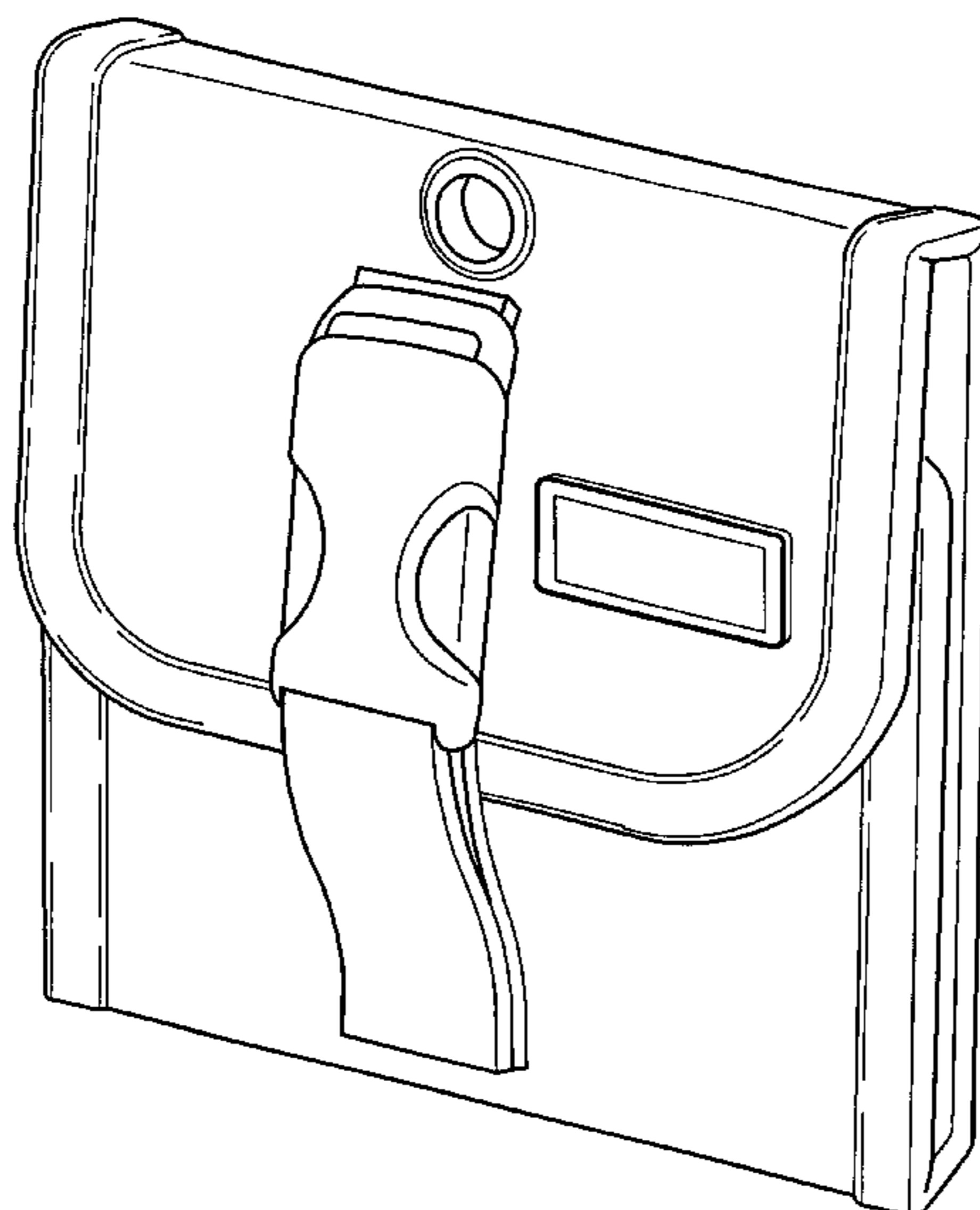
(57) **CLAIM**

The ornamental design for an article carrier, as shown and described.

DESCRIPTION

FIG. 1 is a front exterior perspective view of an article carrier, in accordance with the ornamental design, illustrated in its closed configuration;
FIG. 2 is a front view thereof;
FIG. 3 is a rear view thereof;
FIG. 4 is a first side view thereof;
FIG. 5 is a second side view thereof;
FIG. 6 is a top view thereof;
FIG. 7 is a bottom view thereof; and,
FIG. 8 is a front view similar to that of FIG. 2, but with the article carrier illustrated in its open configuration.
The broken lines shown in FIG. 8 is for illustrative purposes only and forms no part of the claimed design.

1 Claim, 4 Drawing Sheets



U.S. PATENT DOCUMENTS

D. 410,331 * 6/1999 Hamilton D3/230
1,506,926 9/1924 Gunter .
2,413,580 12/1946 Perry .
3,749,233 7/1973 McCormick, Jr. .
3,949,916 4/1976 Yount .
3,955,609 5/1976 Siegel .
4,047,650 9/1977 Domingos .
4,101,025 7/1978 Jordan .
4,648,505 3/1987 Belmondo .
4,773,535 9/1988 Cook .
4,921,153 5/1990 Smith .
5,002,401 3/1991 Blackman .
5,139,143 8/1992 Pond .
5,423,404 6/1995 Shaw .
5,711,469 1/1998 Gormley et al. .

OTHER PUBLICATIONS

Nite Ize ® Mini Pock-Its Utility Holster—Website Information (3 pages).
Nite-Ize Mini Pock-Its Utility Holster and packaging (6 photographs).
Nite Ize Pock-Its and packaging (7 photographs).
Duluth Tool Chisel Roll Cotton—Website Information (1 page).
Duluth Wrench Roll—Website Information (1 page).
Duluth Cotton Wrench Roll; DuckWear Tool Roll; and Tool/Chisel Roll—Duluth Trading Co. (catalog p. 34).

* cited by examiner

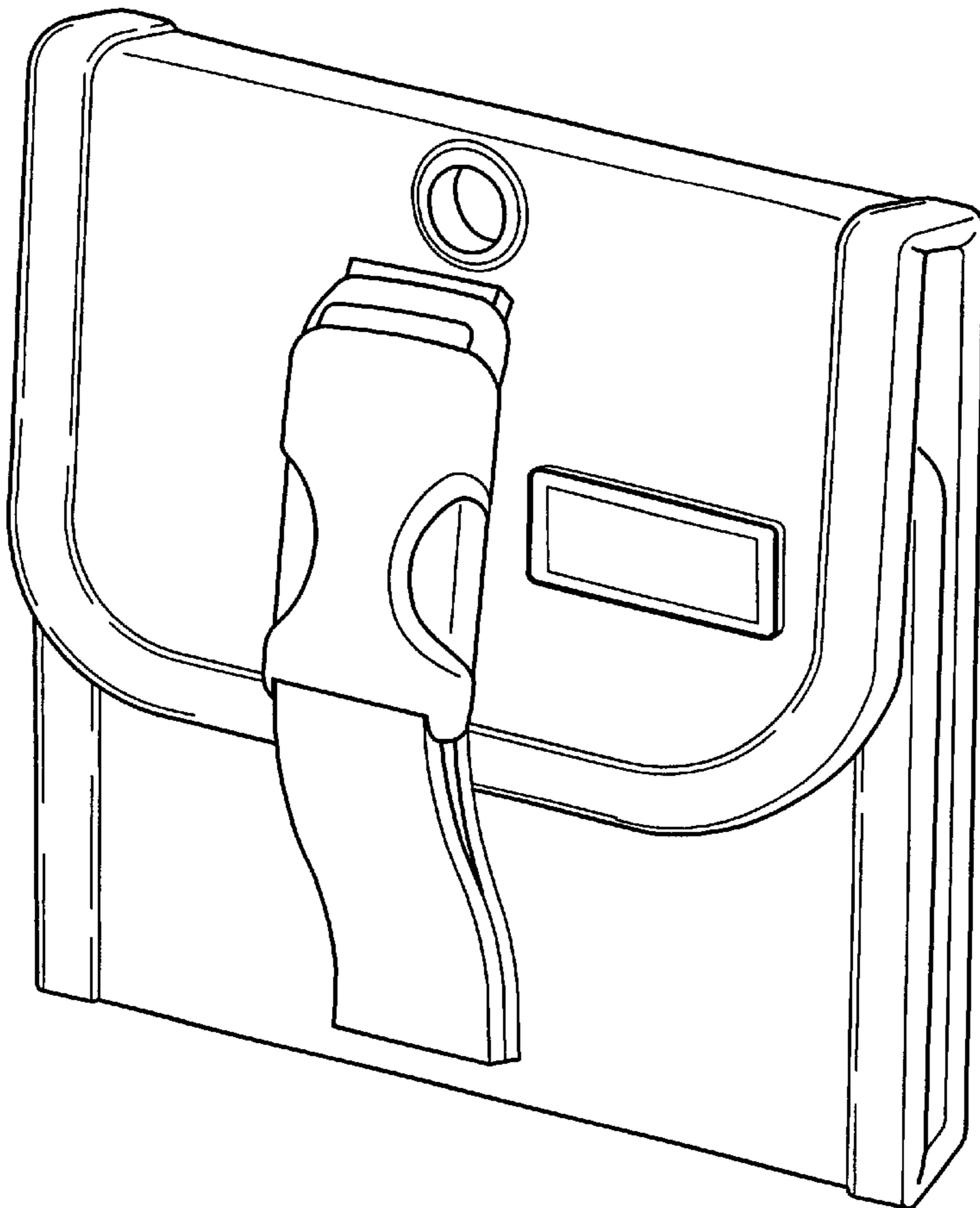


Figure - 1

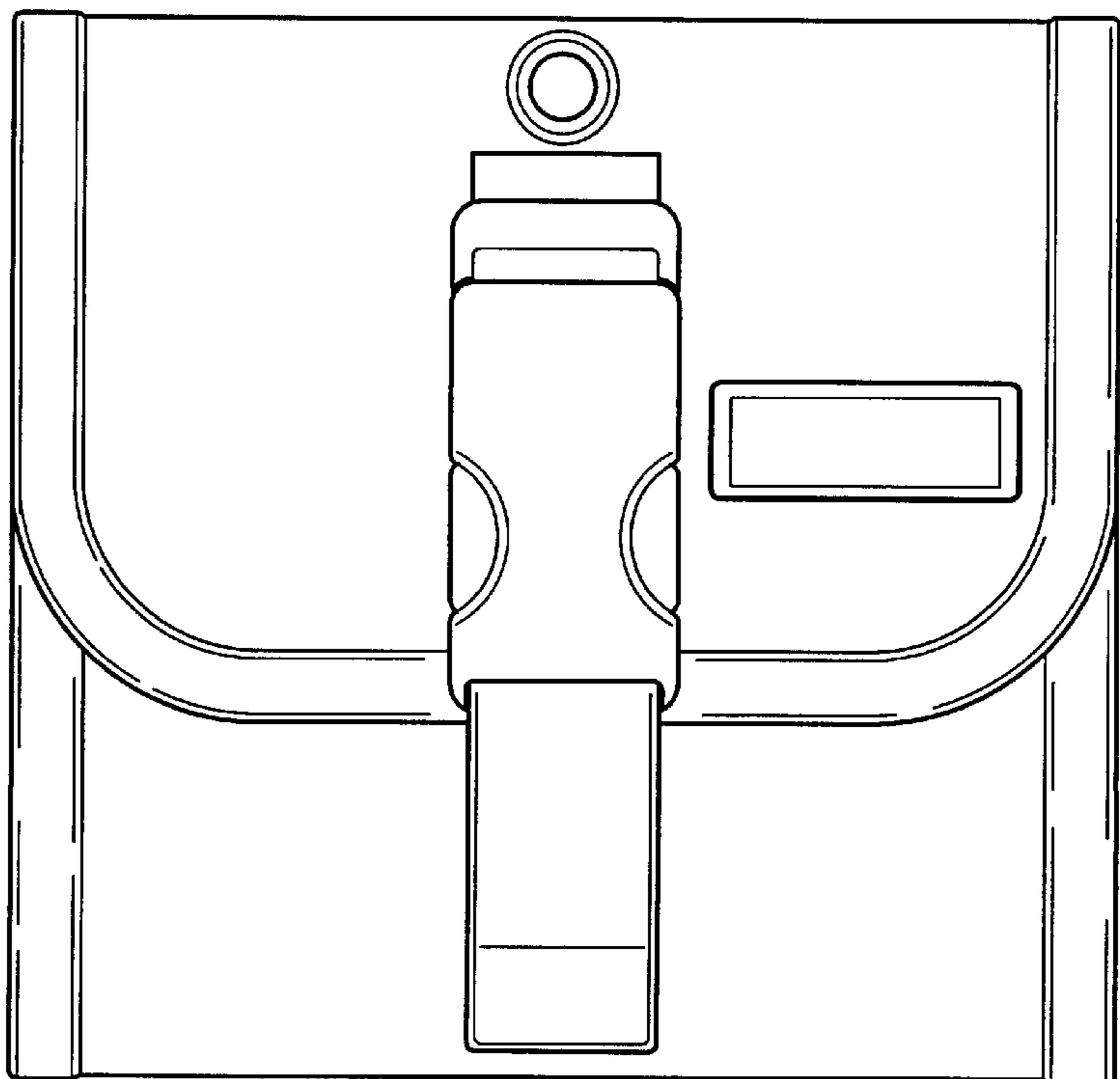


Figure - 2

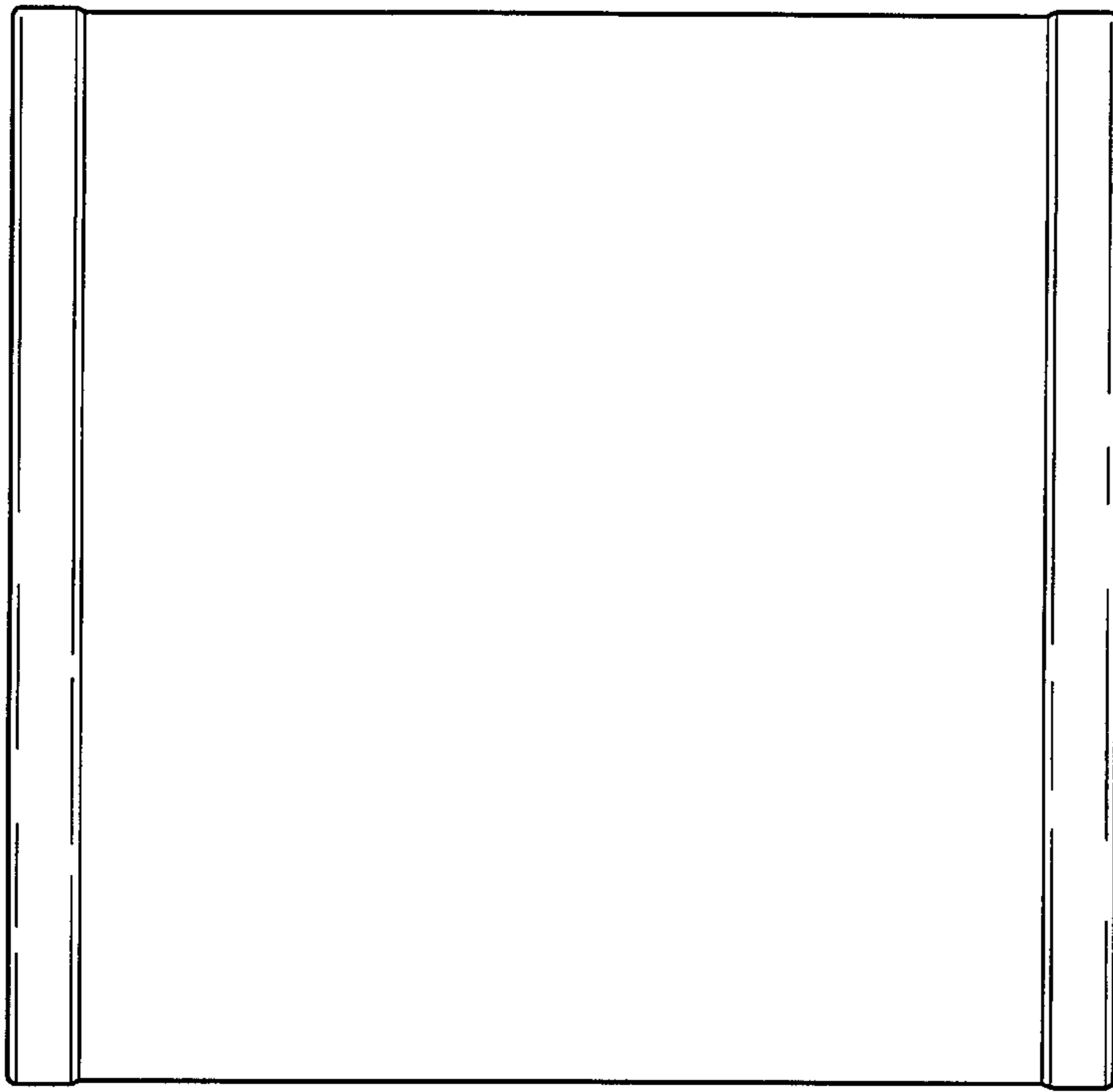


Figure - 3

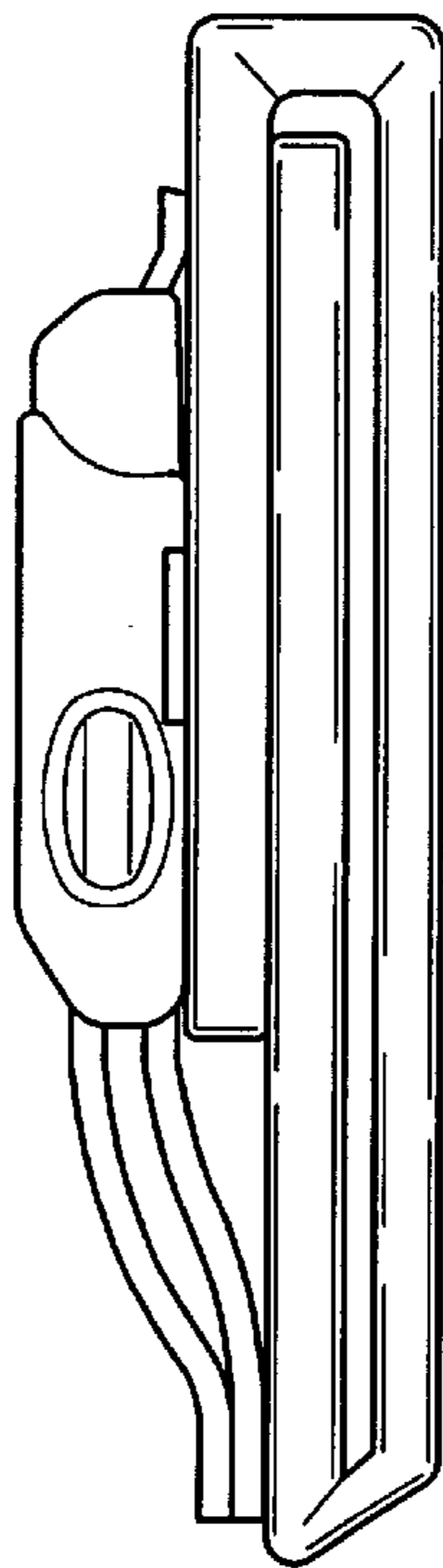


Figure - 4

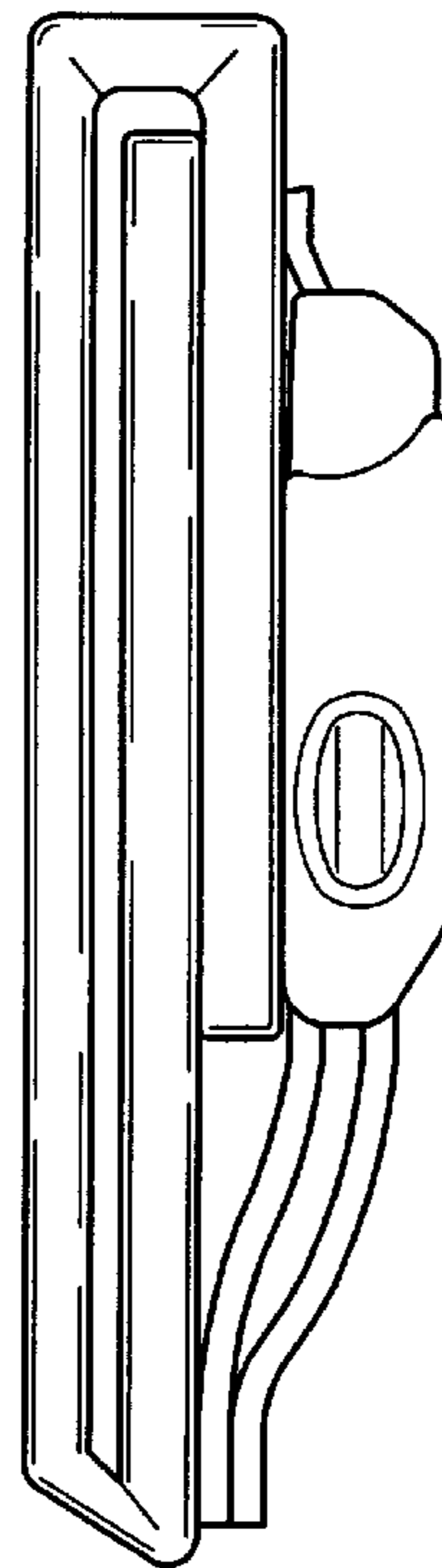


Figure - 5

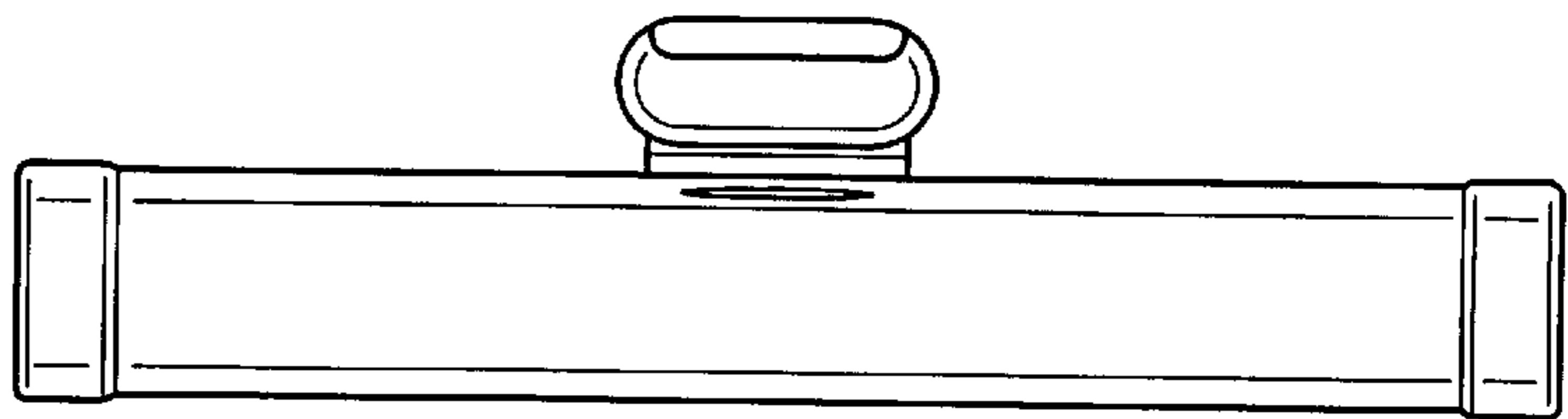


Figure - 6

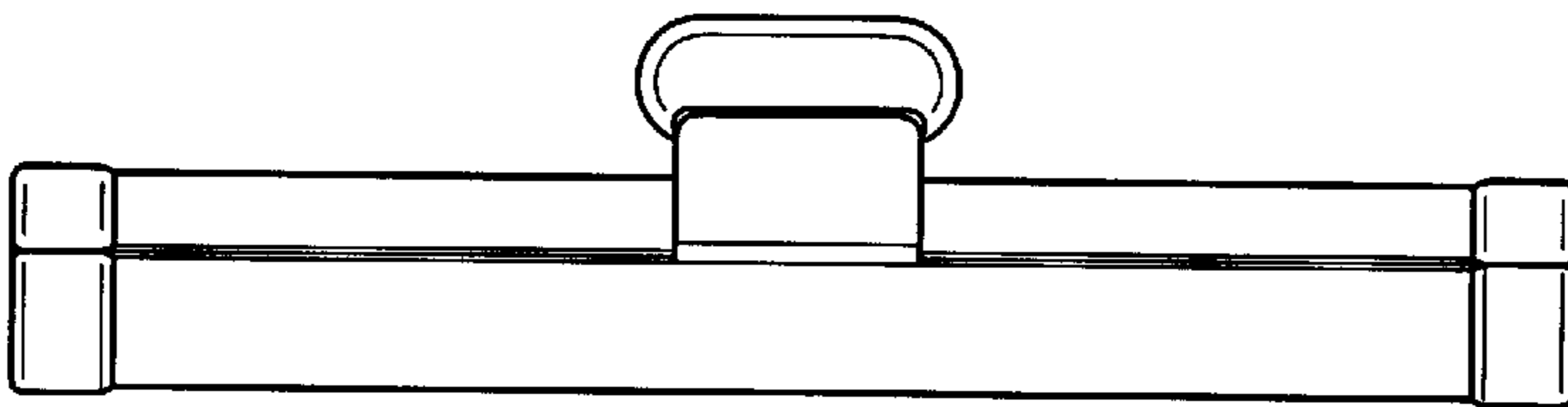


Figure - 7

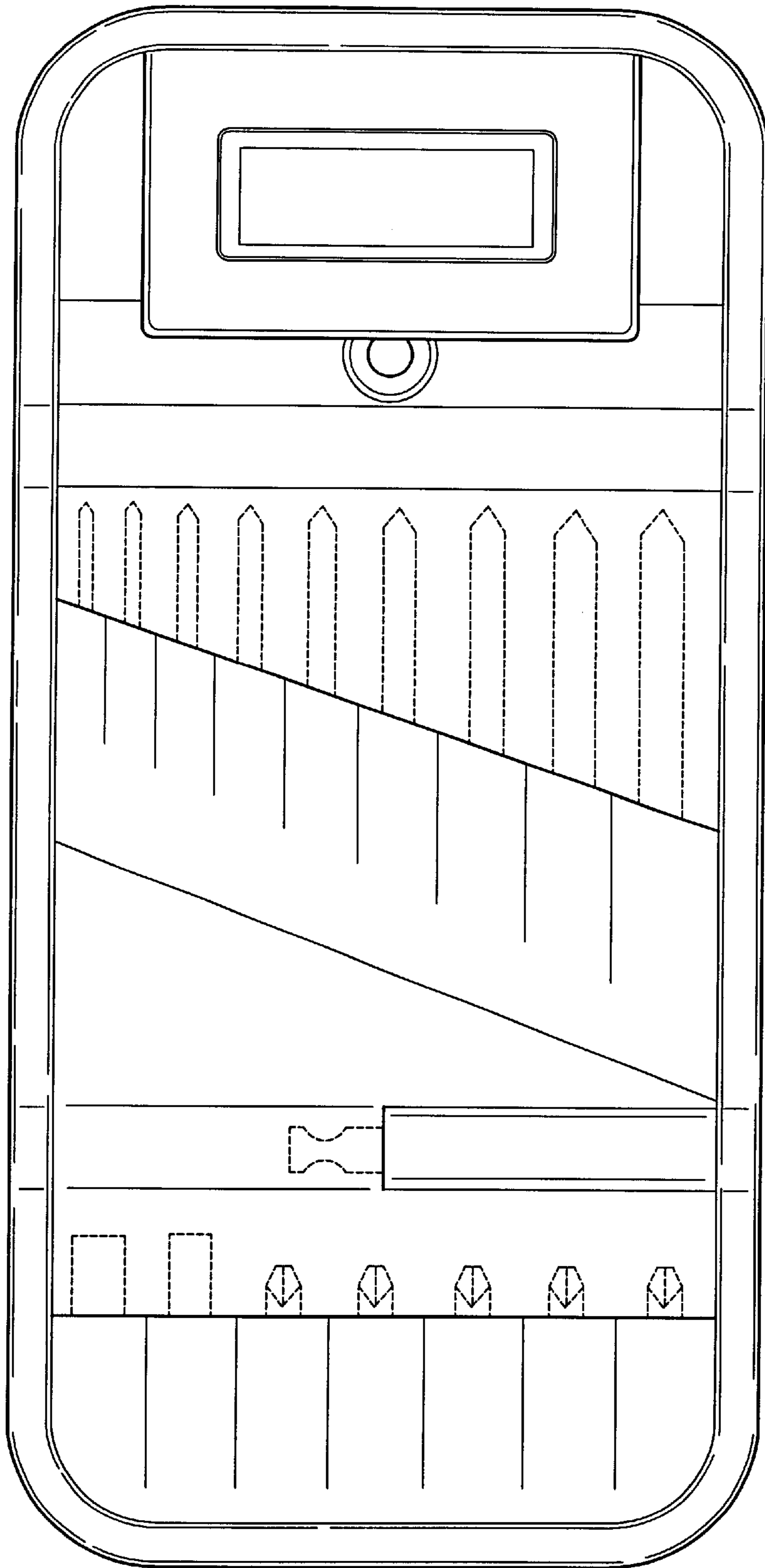


Figure - 8