



US00D442779S

(12) **United States Design Patent**
Koefeldt et al.

(10) **Patent No.:** **US D442,779 S**

(45) **Date of Patent:** **** May 29, 2001**

(54) **CRATE FOR BOTTLES**

(75) Inventors: **Gerald R. Koefeldt**, Seal Beach;
Donald L. Bell, Redondo Beach, both
of CA (US)

(73) Assignee: **Rehrig Pacific Company**, Los Angeles,
CA (US)

(**) Term: **14 Years**

(21) Appl. No.: **29/132,569**

(22) Filed: **Nov. 10, 2000**

(51) **LOC (7) Cl.** **03-01**

(52) **U.S. Cl.** **D3/273; D3/294**

(58) **Field of Search** D3/272, 273, 294,
D3/276, 905; D9/420, 423, 424; 206/508,
519, 506, 511; 22/819, 826, 315

(56) **References Cited**

U.S. PATENT DOCUMENTS

D. 257,528	*	11/1980	Cherry	D3/272
D. 271,343	*	11/1983	Miller	D3/272
D. 306,264	*	2/1990	Malmanger	D9/432
D. 326,775	*	6/1992	Skillius	D3/905
D. 408,142	*	4/1999	Song	D3/291

4,391,386	*	7/1983	Moret	220/819
4,620,644	*	11/1986	Miller	220/826
4,685,567	*	8/1987	Webb	206/506
5,328,048	*	7/1994	Stein	220/334
5,351,814		10/1994	Apps	.	
5,673,791	*	10/1997	Jamison	206/508
5,975,300		11/1999	Gale	206/433

* cited by examiner

Primary Examiner—Philip S. Hyder

(74) *Attorney, Agent, or Firm*—Brooks & Kushman P.C.

(57) **CLAIM**

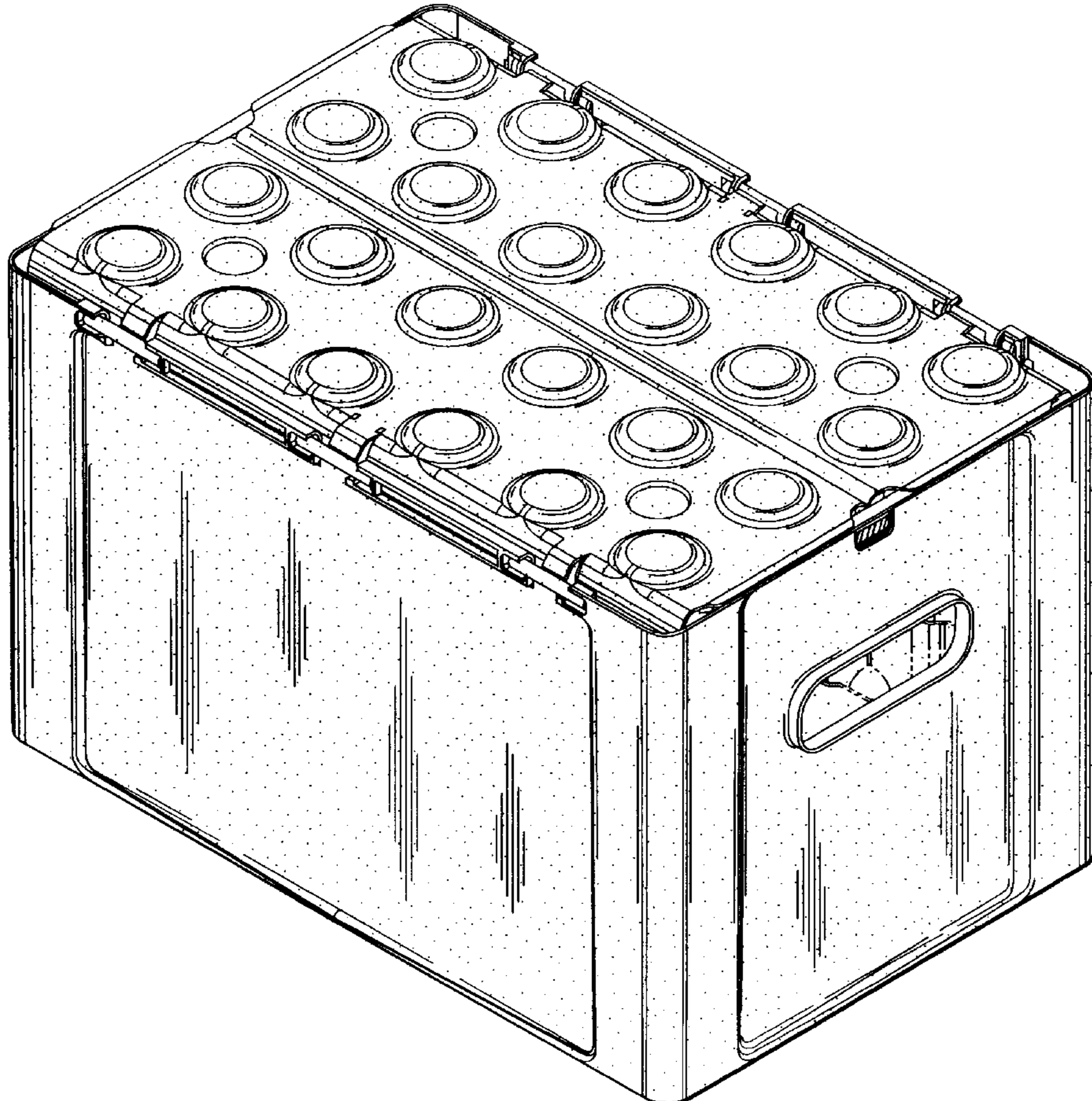
The ornamental design for a crate for bottles, as shown and described.

DESCRIPTION

FIG. 1 is a perspective view of the crate;
FIG. 2 is a top plan view of the crate;
FIG. 3 is a front elevational view of the crate, the rear
elevational view being a mirror image thereof;
FIG. 4 is a left side elevational view of the crate, the right
side elevational view being a mirror image thereof; and,
FIG. 5 is a bottom plan view of the crate.

The broken lines of FIGS. 1, 4 and 5 are for illustrative
purposes only and form no part of the claimed design.

1 Claim, 5 Drawing Sheets



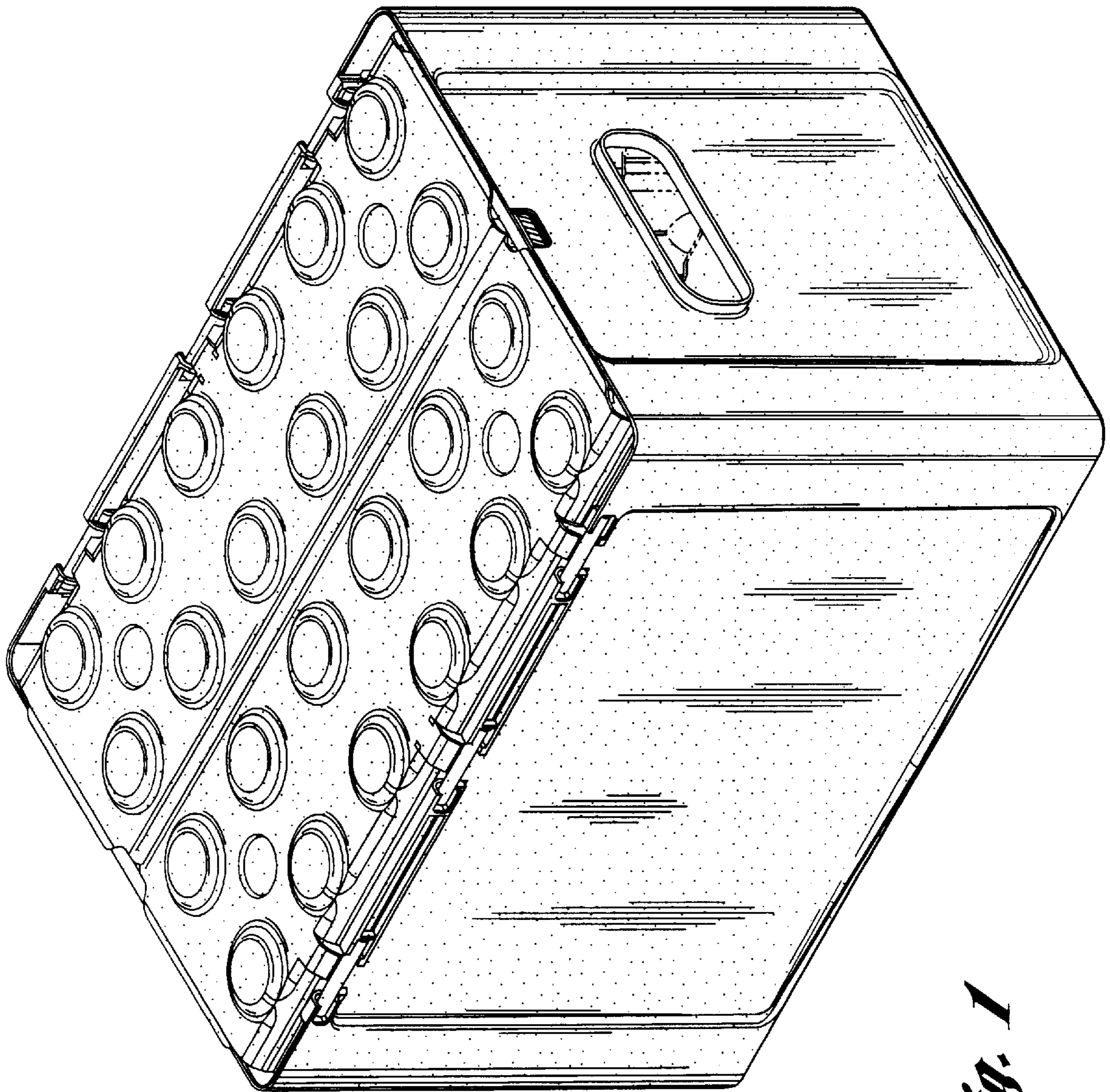


Fig. 1

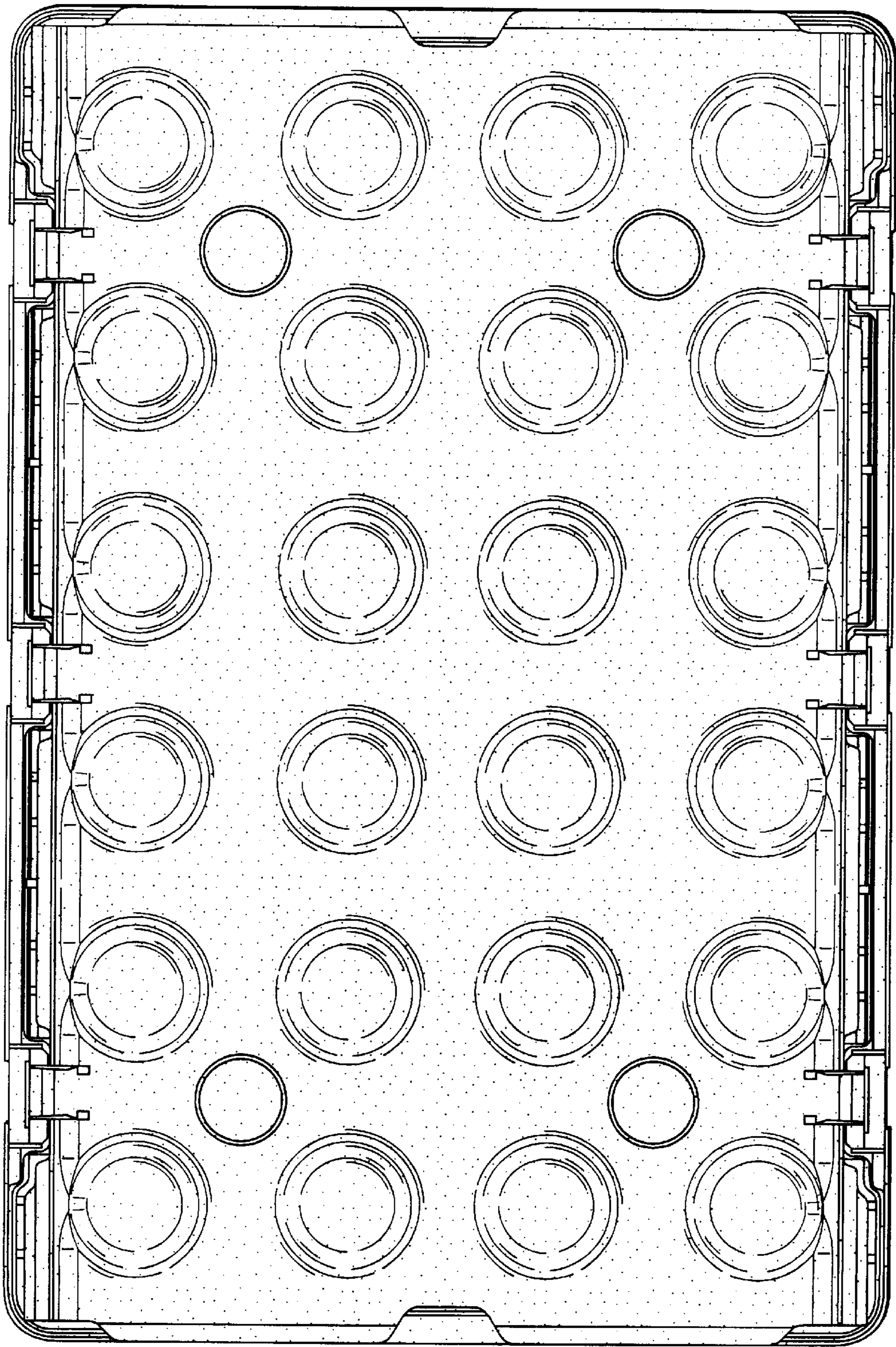


Fig. 2

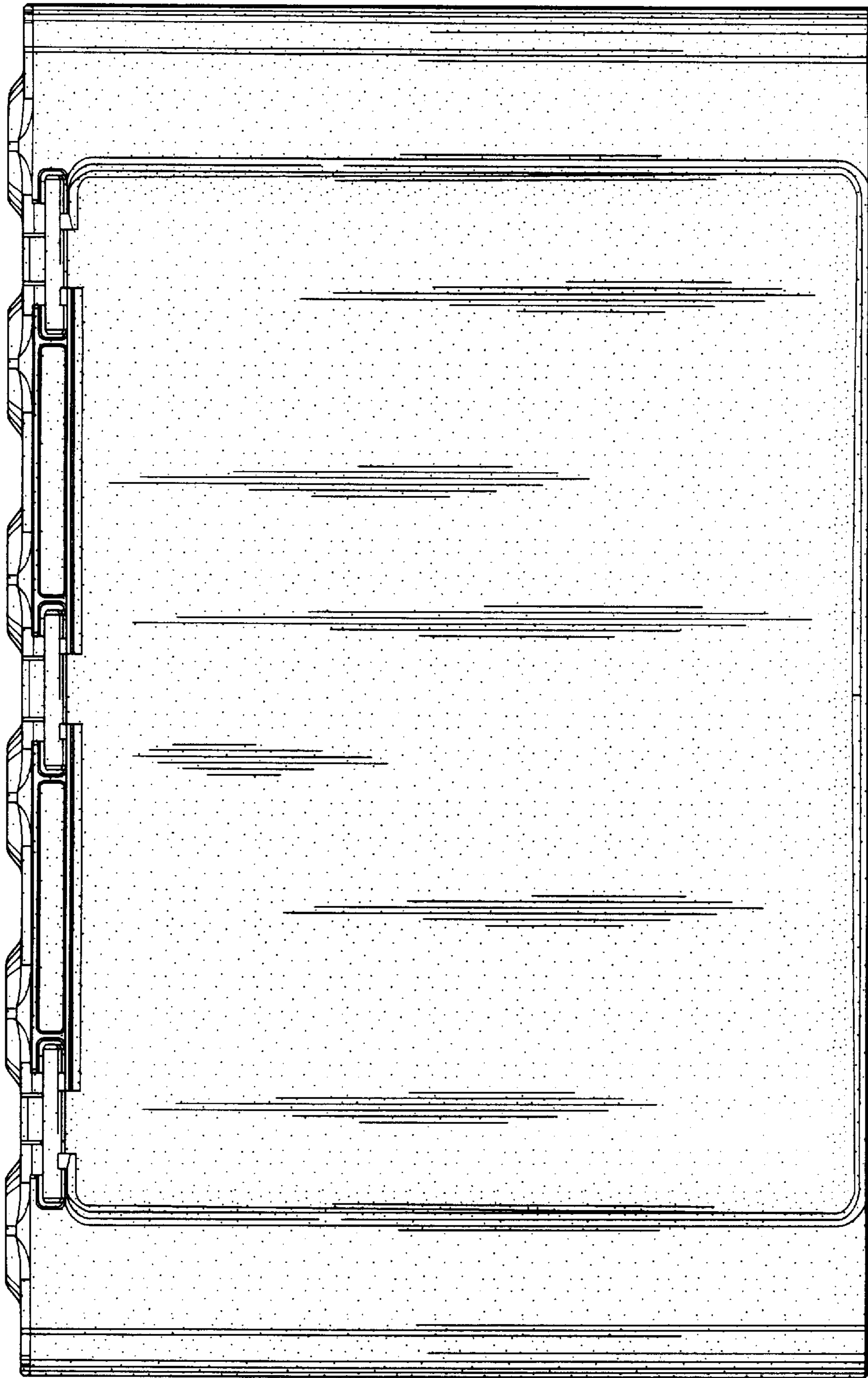


Fig. 3

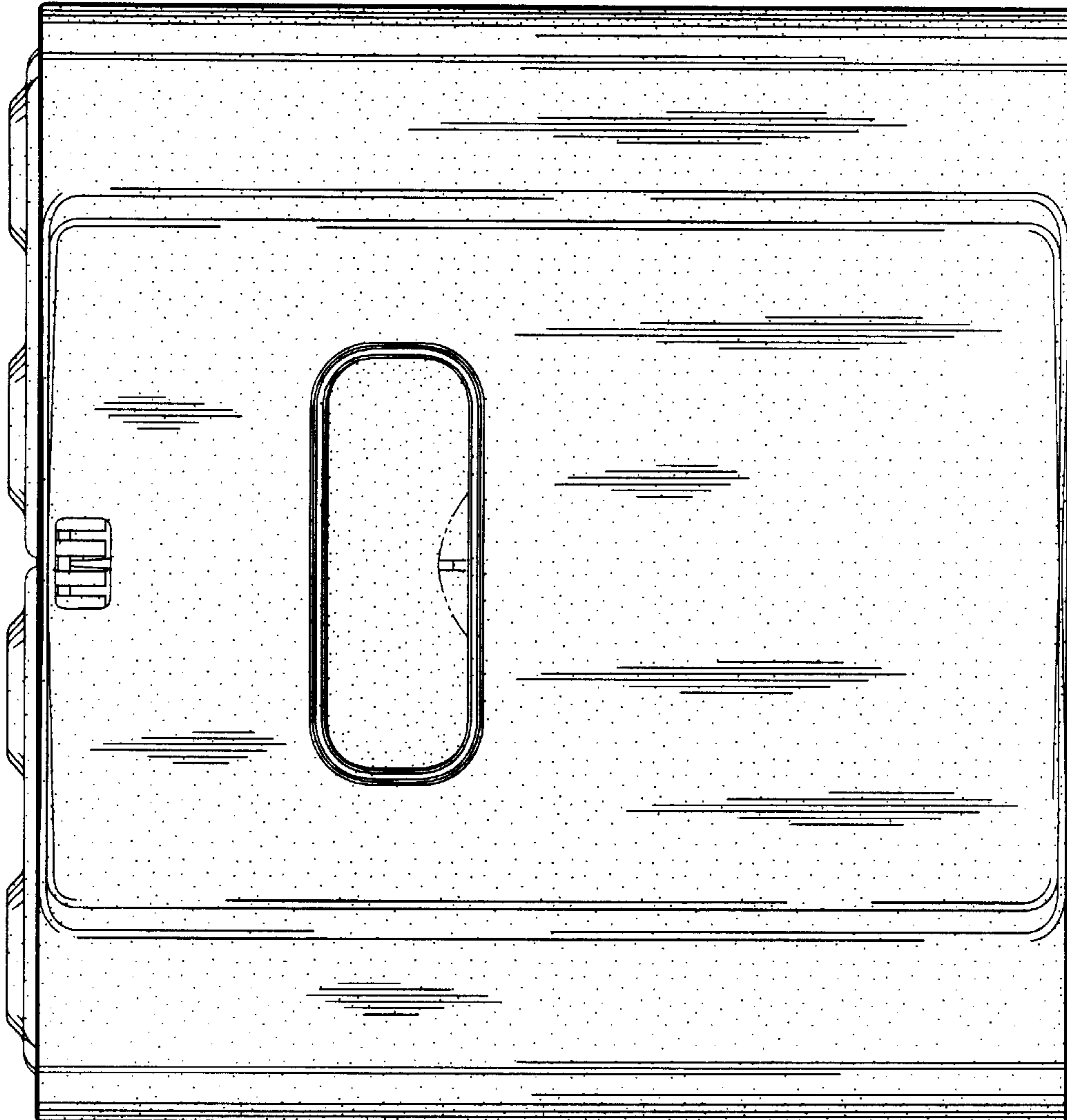


Fig. 4

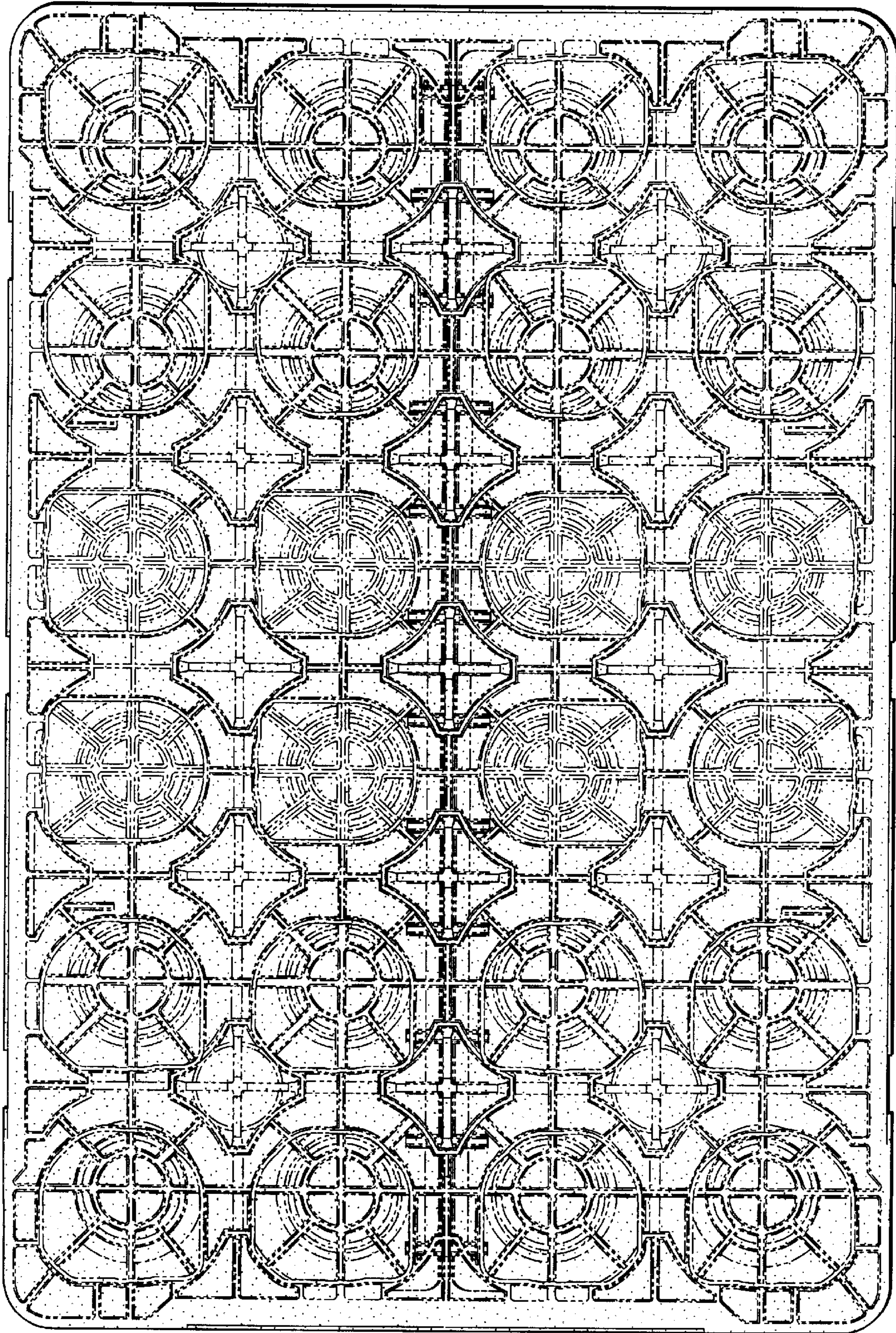


Fig. 5