



US00D442777S

(12) **United States Design Patent**
Smith

(10) **Patent No.:** **US D442,777 S**

(45) **Date of Patent:** **** May 29, 2001**

(54) **CARRYING CASE**

(75) **Inventor:** **Richard D Smith**, Torrance, CA (US)

(73) **Assignee:** **A.L.S. Industries, Inc.**, Torrance, CA (US)

(**) **Term:** **14 Years**

(21) **Appl. No.:** **29/130,987**

(22) **Filed:** **Oct. 12, 2000**

(51) **LOC (7) Cl.** **03-01**

(52) **U.S. Cl.** **D3/226**

(58) **Field of Search** D3/226, 224, 218,
D3/215, 219; 224/240, 245, 236, 908, 909;
D6/407, 631-634

(56) **References Cited**

U.S. PATENT DOCUMENTS

- D. 351,061 * 10/1994 Coons D3/219
- D. 411,659 * 6/1999 Karton D3/226

- D. 434,897 * 12/2000 Hillman D3/218
- D. 435,169 * 12/2000 Carver D3/226

* cited by examiner

Primary Examiner—Louis S. Zarfes

Assistant Examiner—Catherine R. Oliver

(74) *Attorney, Agent, or Firm*—Marshall A. Lerner, Esq.;
Finn T. Simmensen, Esq.; Kleinberg & Lerner, LLP

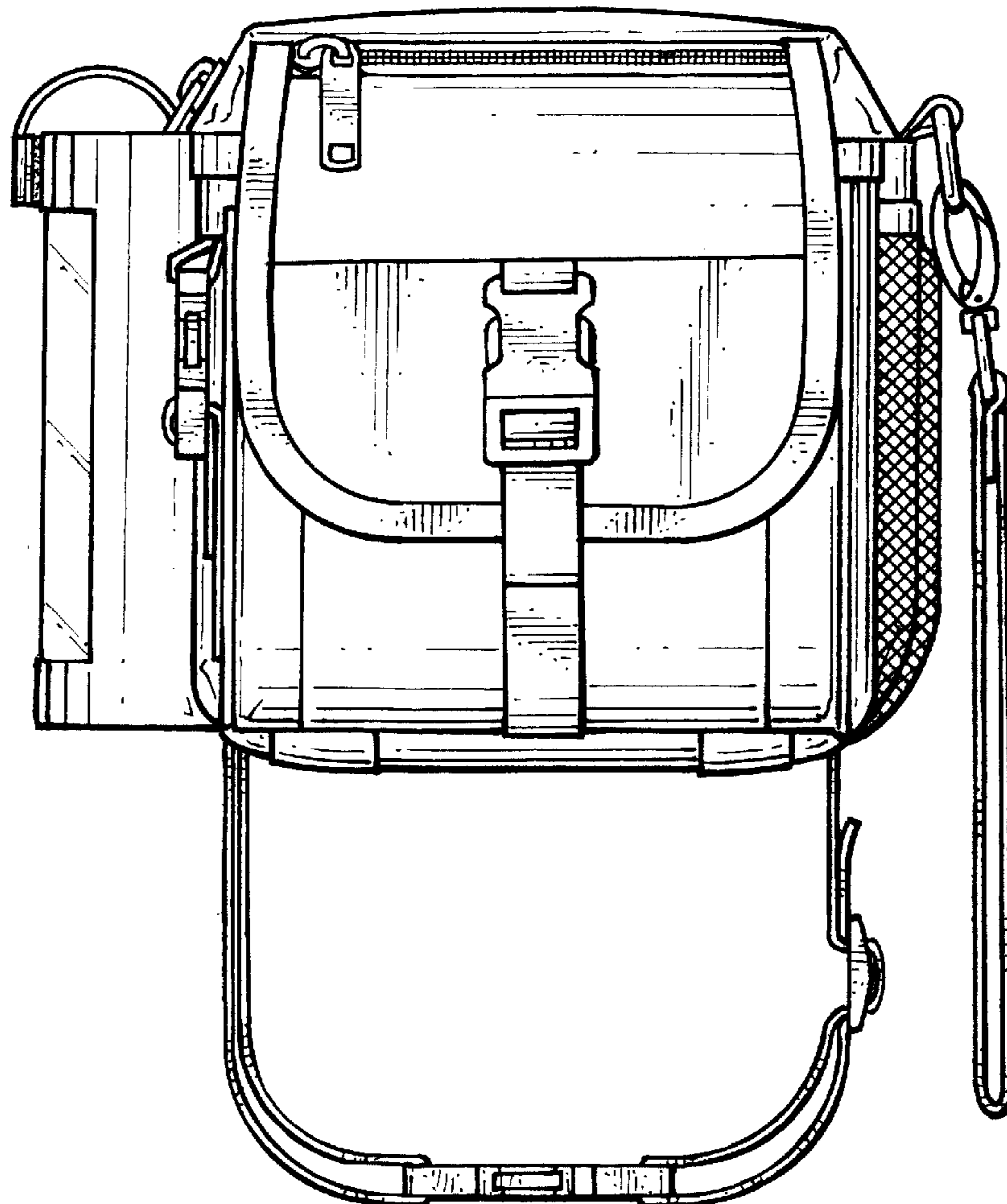
(57) **CLAIM**

The ornamental design for a carrying case, as shown and described.

DESCRIPTION

FIG. 1 is a front elevational view of the carrying case showing my new design;
FIG. 2 is a right side elevational view thereof;
FIG. 3 is a rear elevational view thereof;
FIG. 4 is a left side elevational view thereof;
FIG. 5 is a top plan view thereof; and,
FIG. 6 is a bottom plan view.

1 Claim, 3 Drawing Sheets



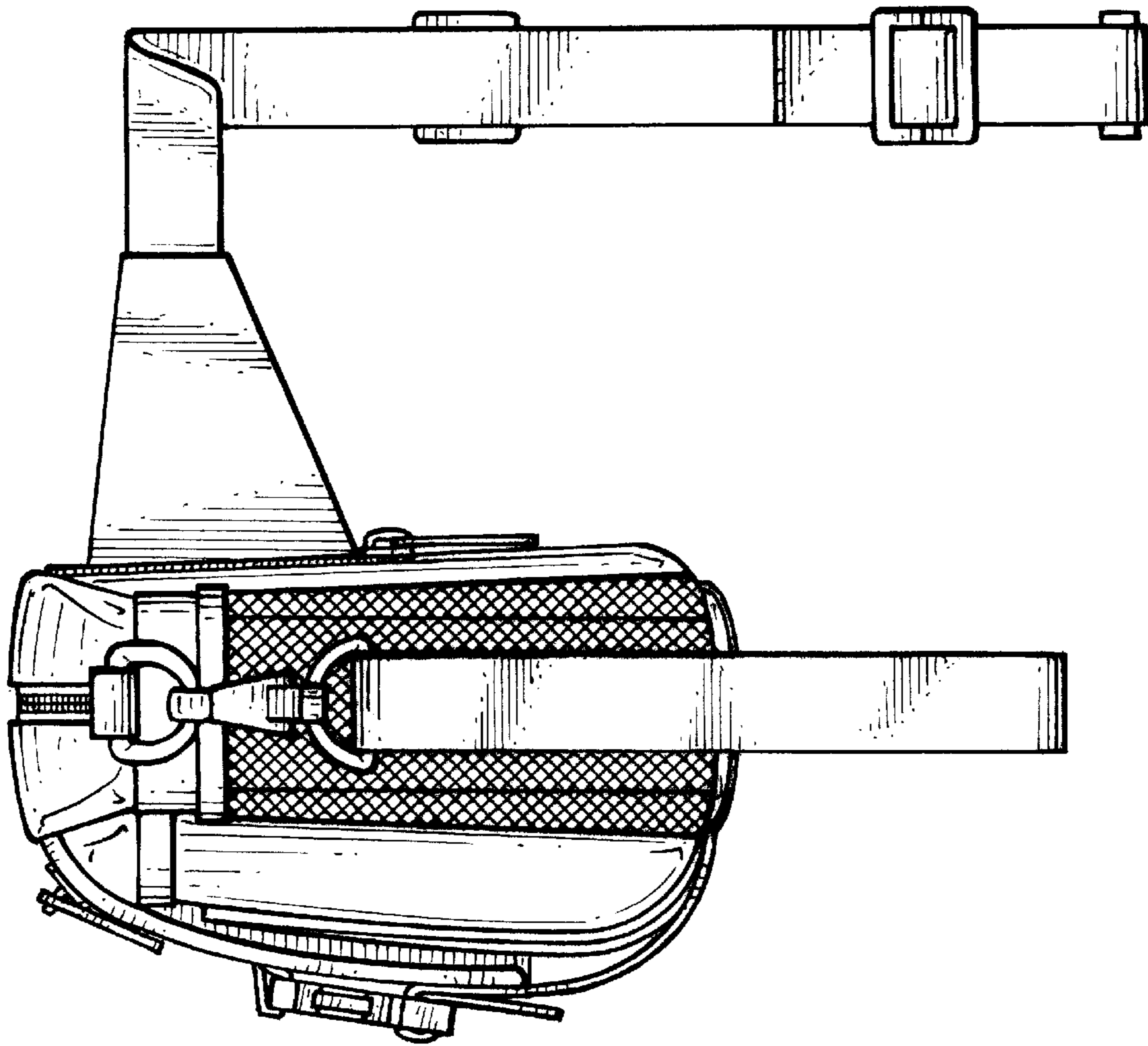


Fig. 2.

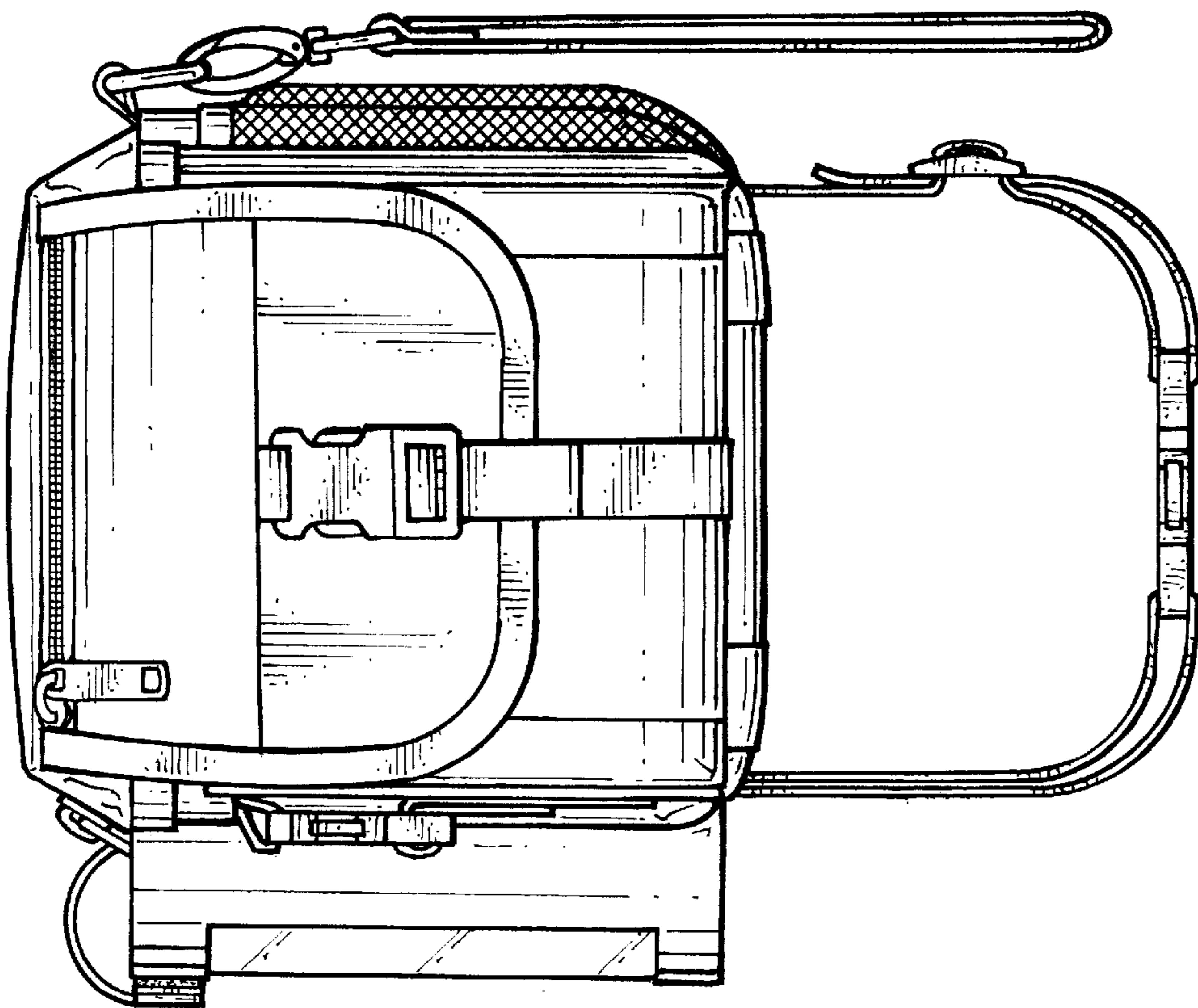


Fig. 1.

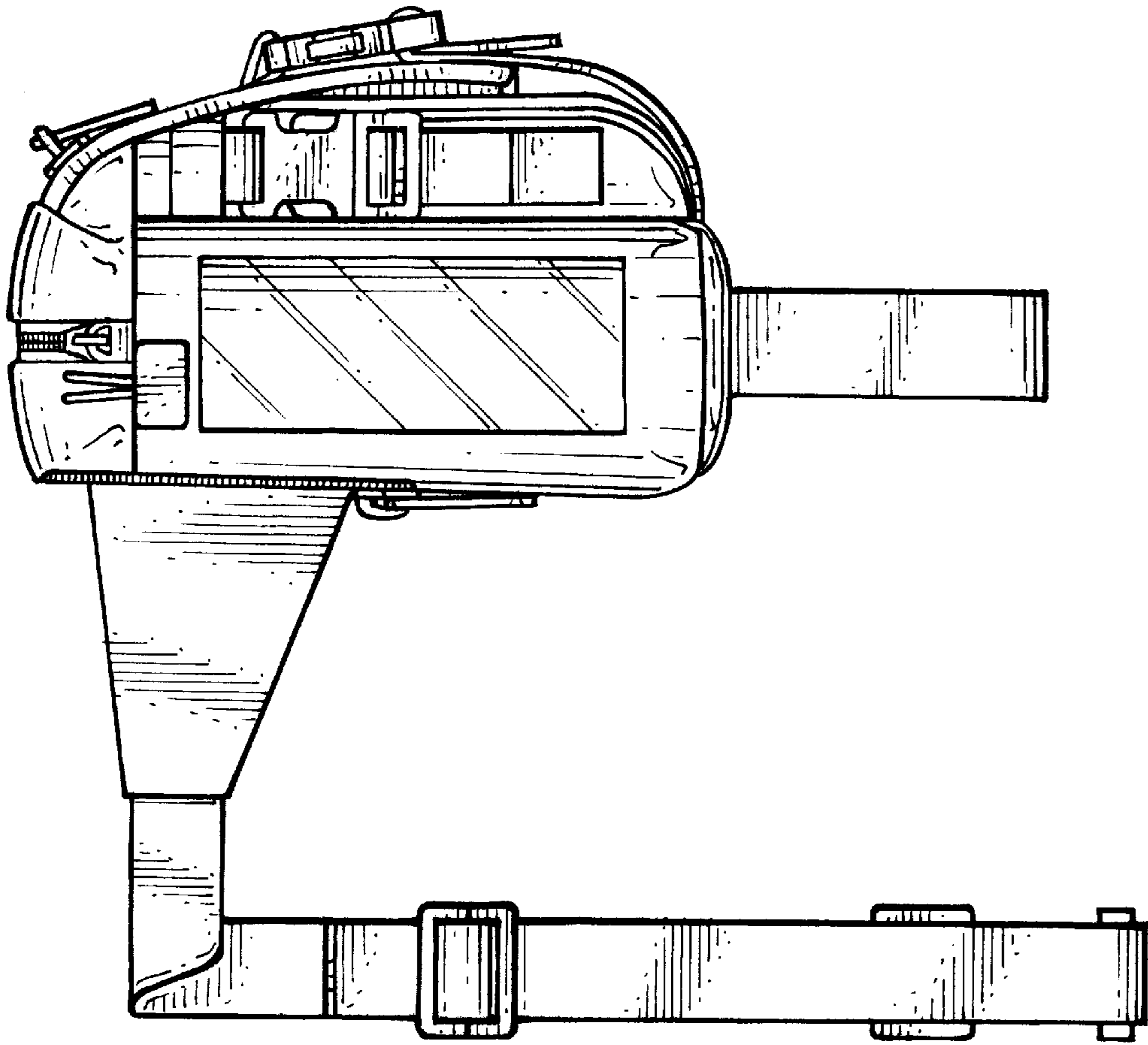


Fig. 4.

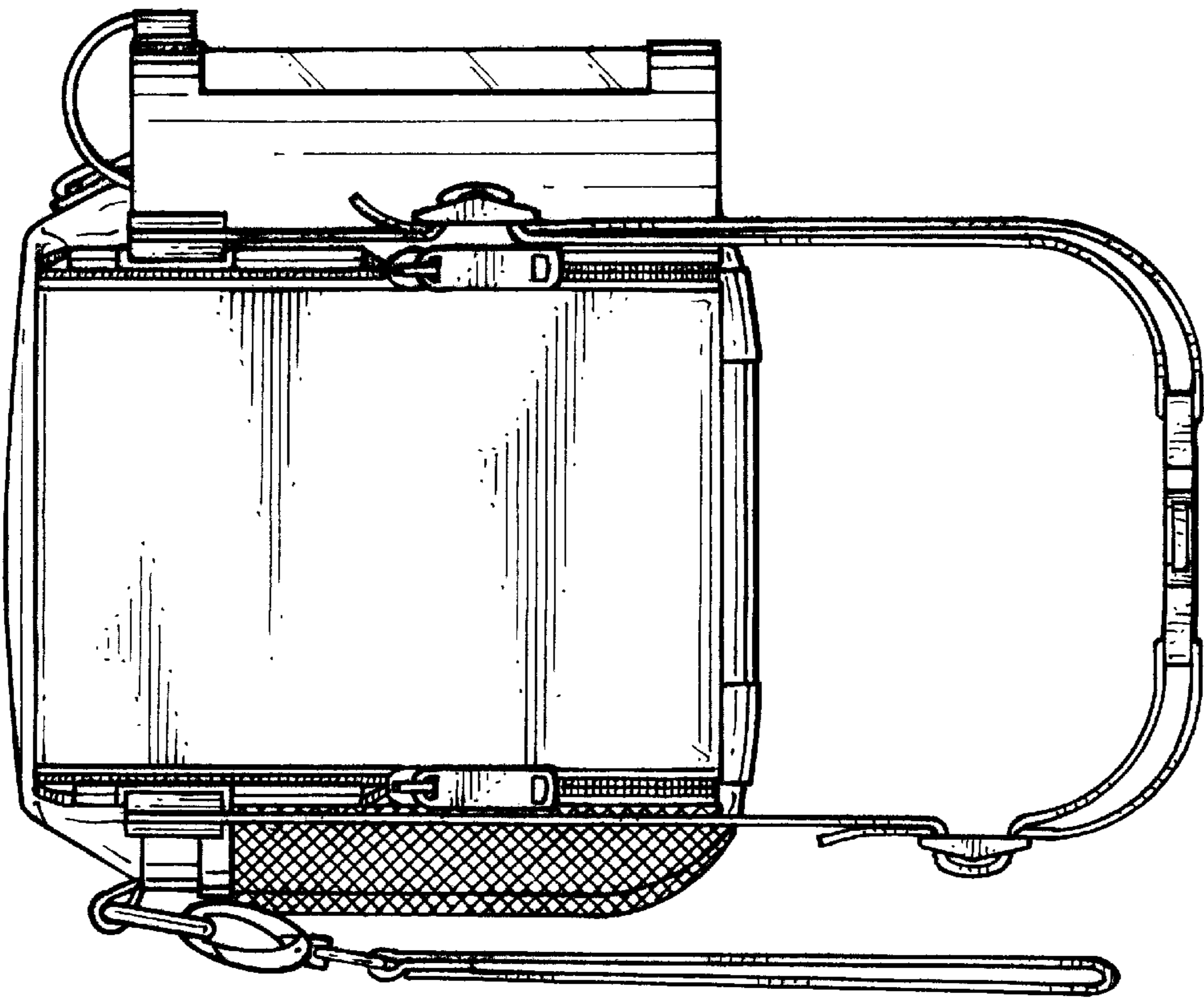


Fig. 3.

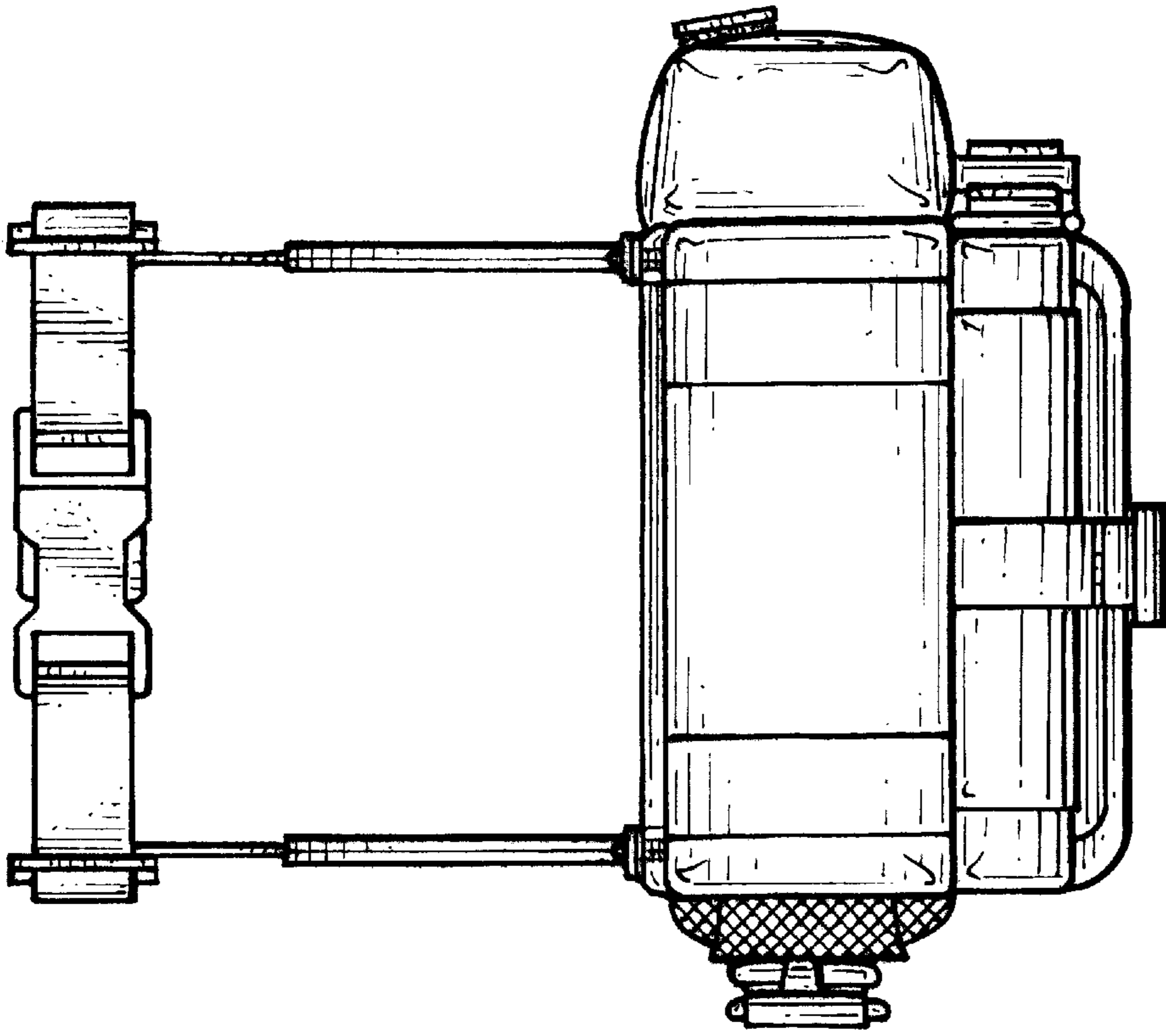


Fig. 6.

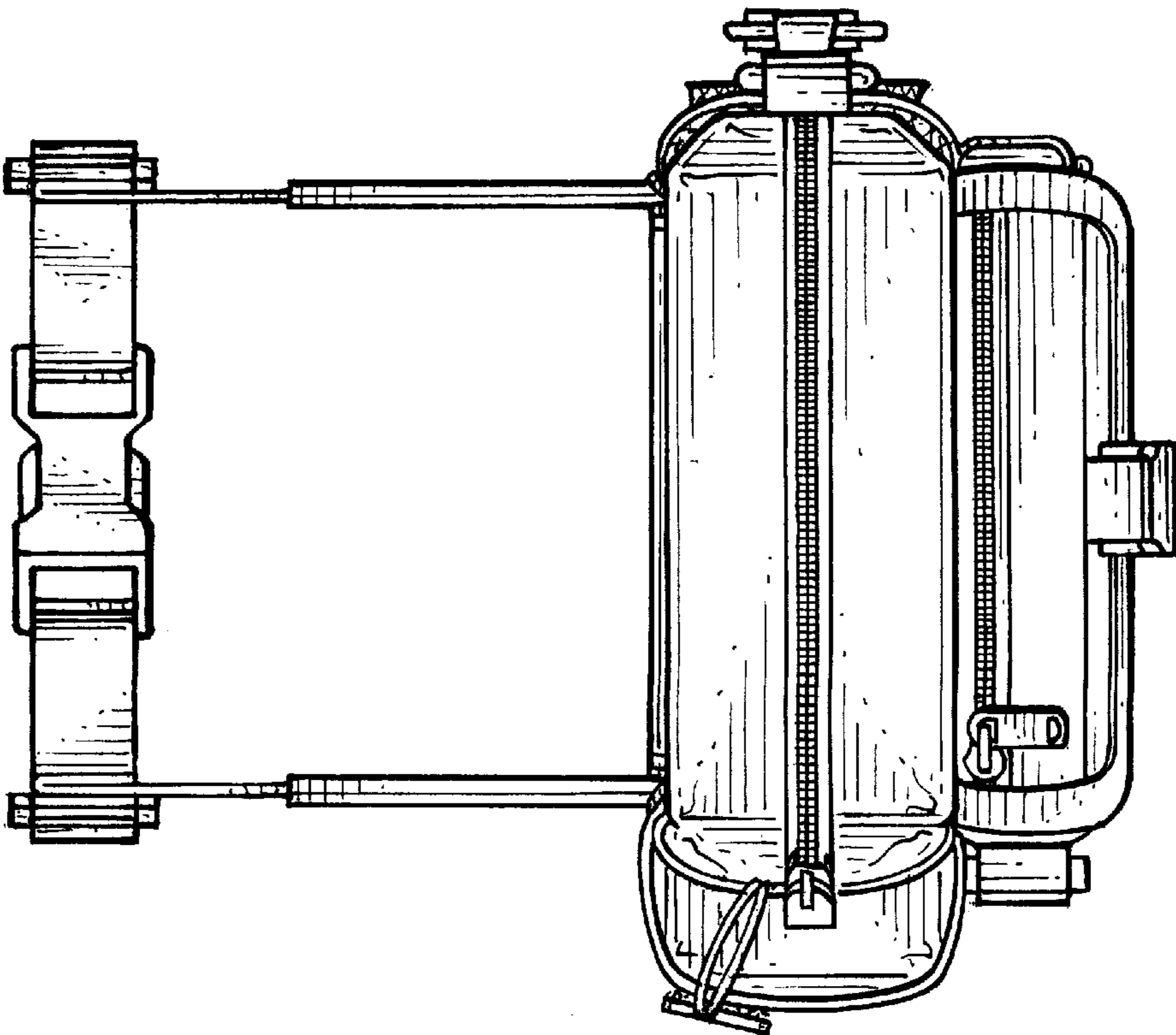


Fig. 5.