



US00D442764S

(12) **United States Design Patent**  
**Jimenez**

(10) **Patent No.:** **US D442,764 S**

(45) **Date of Patent:** **\*\* May 29, 2001**

(54) **ICE CREAM HOLDER**

3,351,258 \* 11/1967 Evantash ..... 426/135

(76) Inventor: **Matthew R. Jimenez**, 2121 Maxson Rd., El Monte, CA (US) 91733

\* cited by examiner

(\*\*) Term: **14 Years**

*Primary Examiner*—Freda Nunn

*Assistant Examiner*—Linda Brooks

(74) *Attorney, Agent, or Firm*—Edgar W. Averill, Jr.

(21) Appl. No.: **29/128,747**

(57) **CLAIM**

(22) Filed: **Aug. 30, 2000**

The ornamental design for an ice cream holder, as shown and described.

(51) **LOC (7) Cl.** ..... **01-01**

(52) **U.S. Cl.** ..... **D1/105**

(58) **Field of Search** ..... D1/101-105, 116, D1/118, 119; 426/100, 101, 104, 132-134, 138, 139; 220/592.12-592.14; 229/932, DIG. 7

**DESCRIPTION**

FIG. 1 is a perspective view showing the top and front of the ice cream holder showing our new design.

FIG. 2 is a front view thereof.

FIG. 3 is a top view thereof.

FIG. 4 is a bottom view thereof.

FIG. 5 is a front view of an alternate embodiment of the ice cream holder of FIG. 1.

FIG. 6 is a bottom view of the ice cream holder of FIG. 5; and,

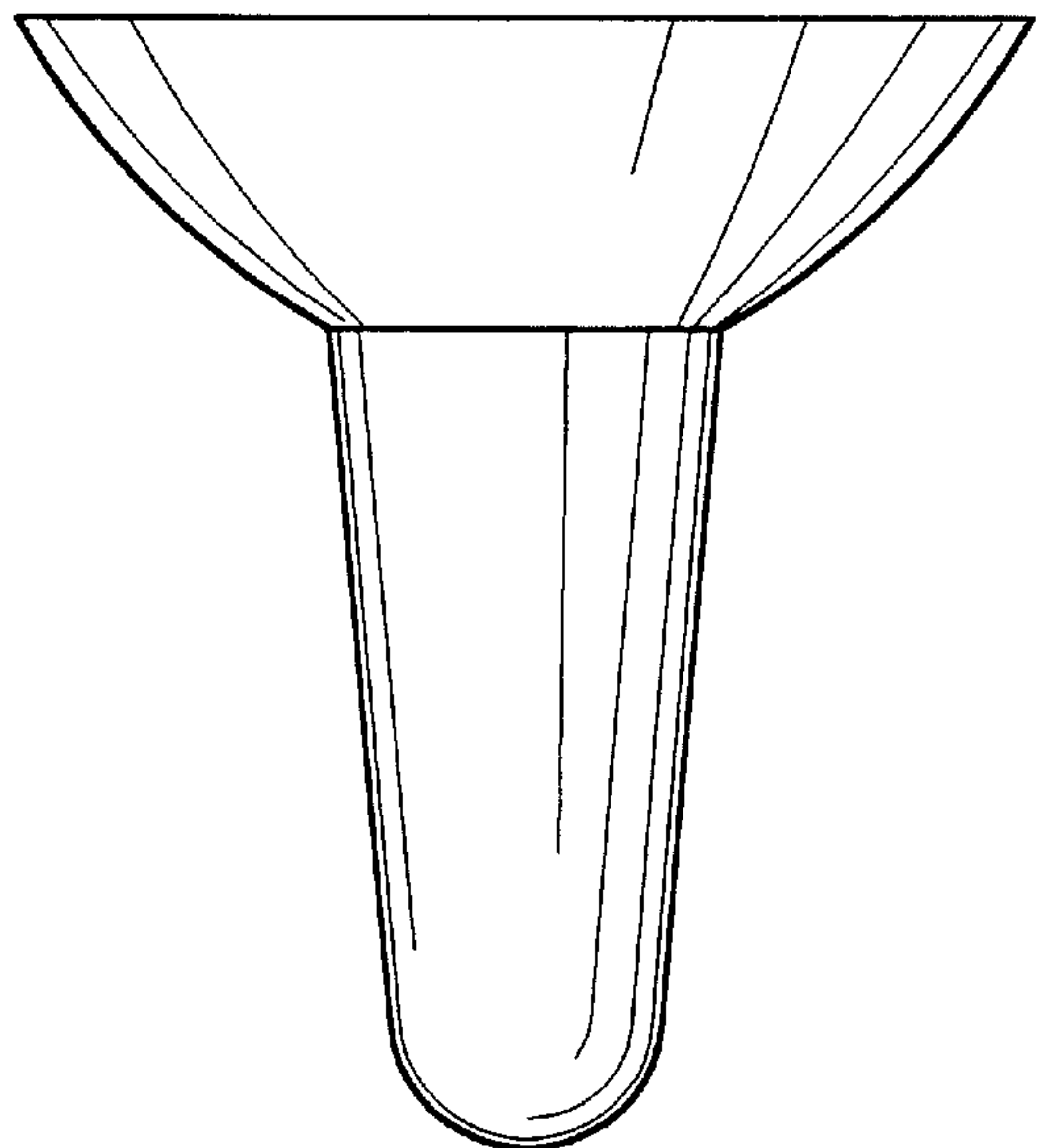
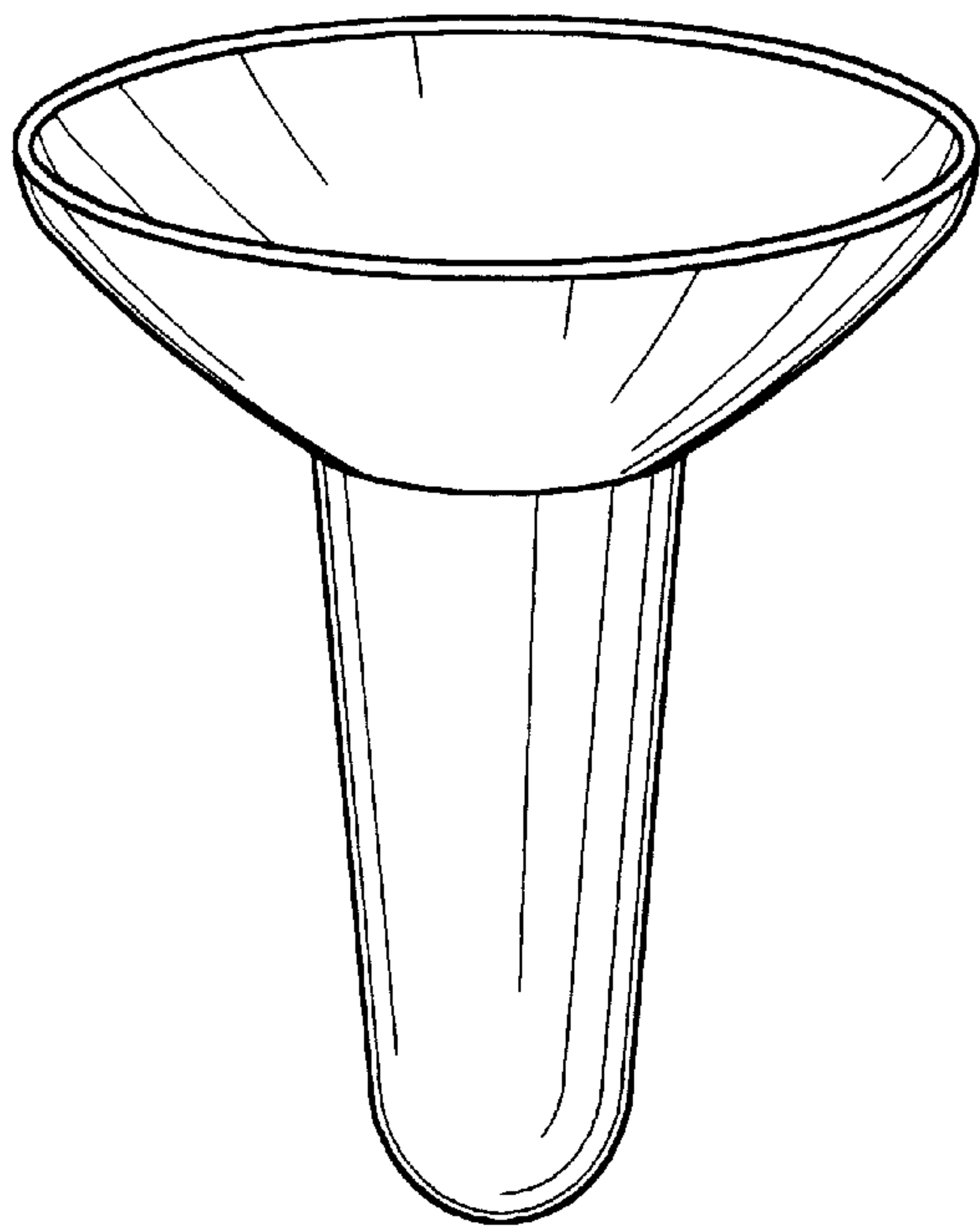
FIG. 7 is a top view of the ice cream holder of FIG. 5.

(56) **References Cited**

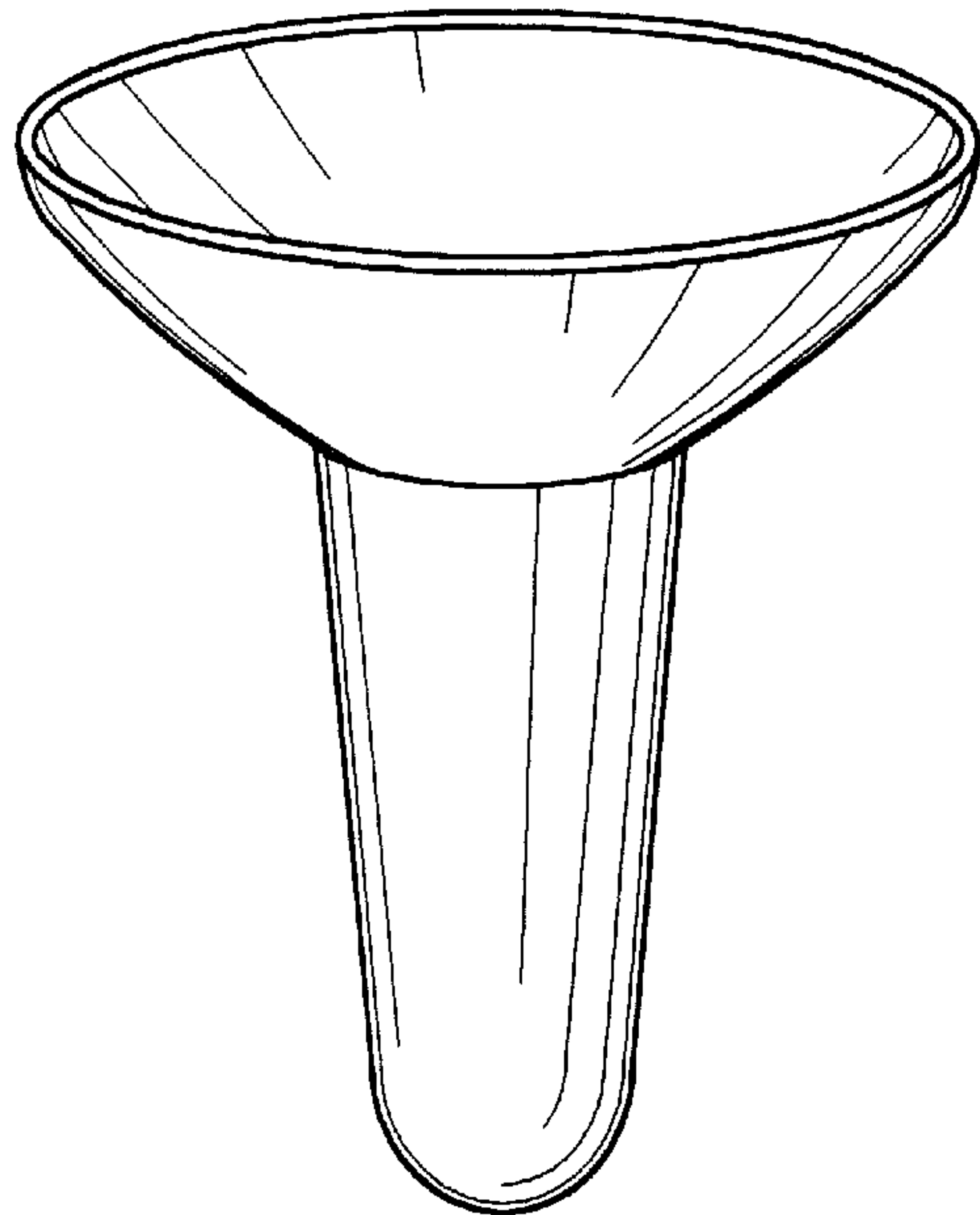
**U.S. PATENT DOCUMENTS**

D. 340,343	*	10/1993	Rizikow	.....	D1/118
D. 382,085	*	8/1997	Sotile	.....	D1/105
D. 391,036	*	2/1998	Sotile	.....	D1/105
D. 426,047	*	6/2000	Kurtz et al.	.....	D1/105
1,920,995	*	8/1933	Legge	.....	220/737
2,948,452	*	8/1960	Grogan et al.	.....	426/132

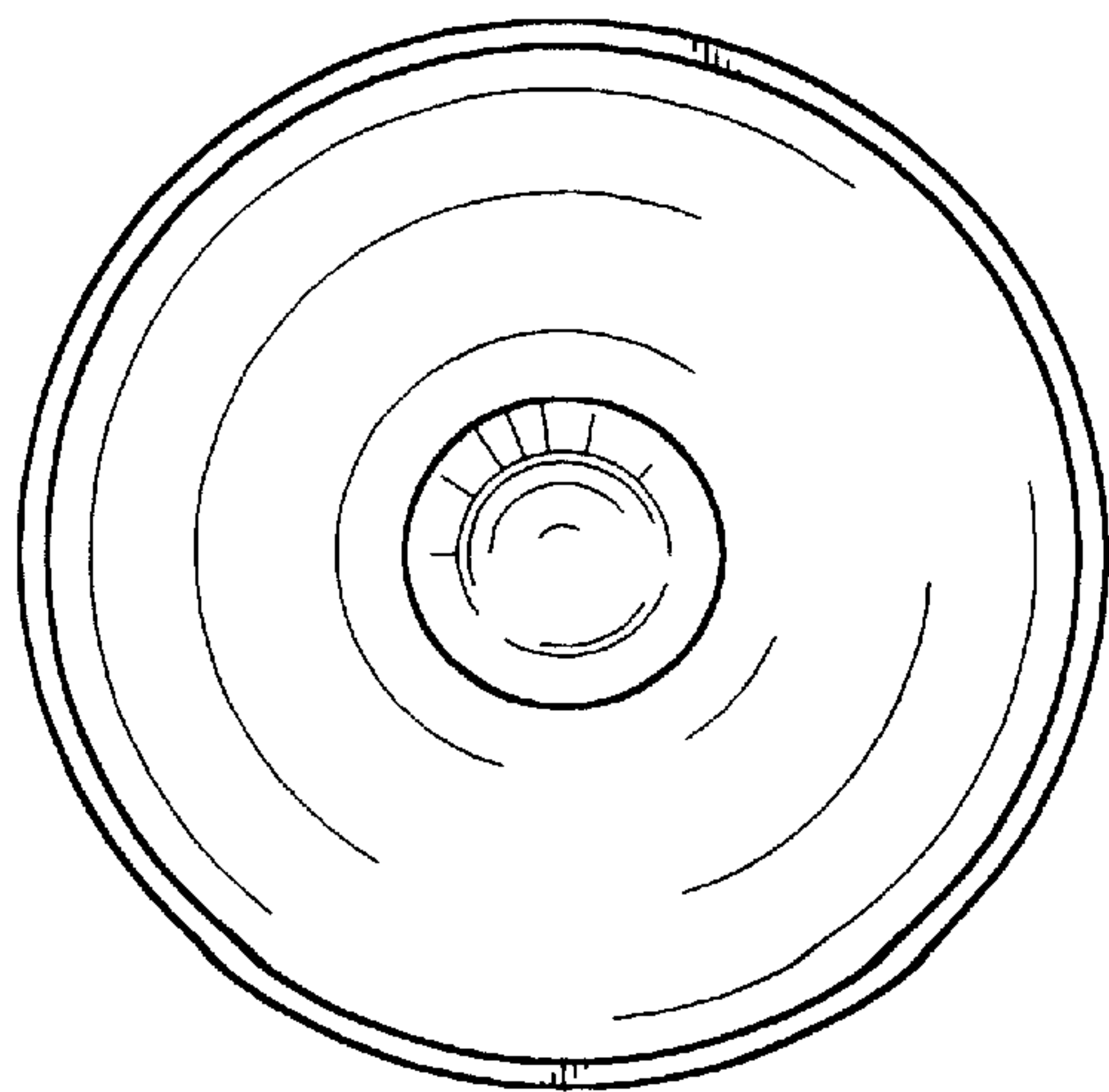
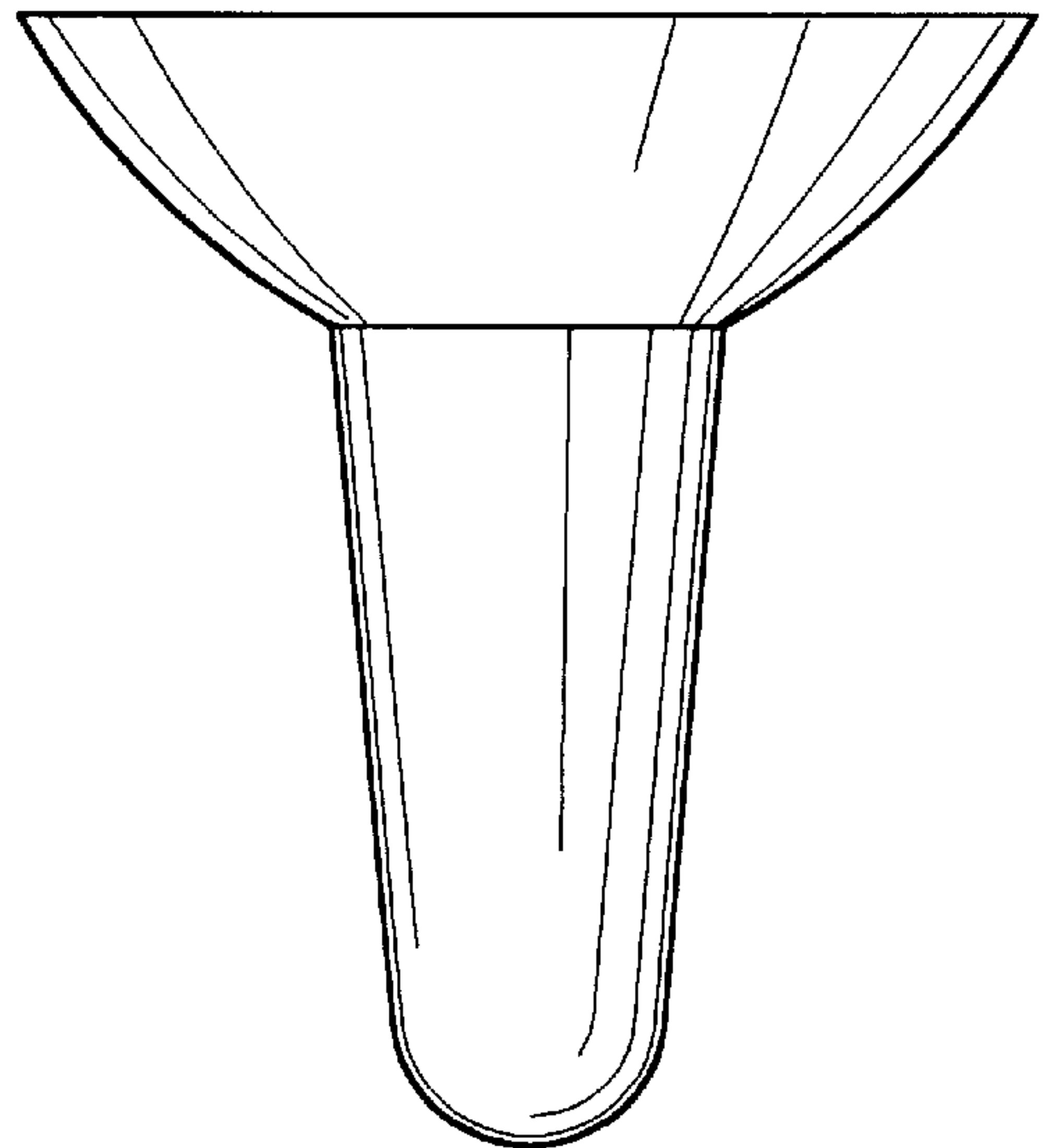
**1 Claim, 2 Drawing Sheets**



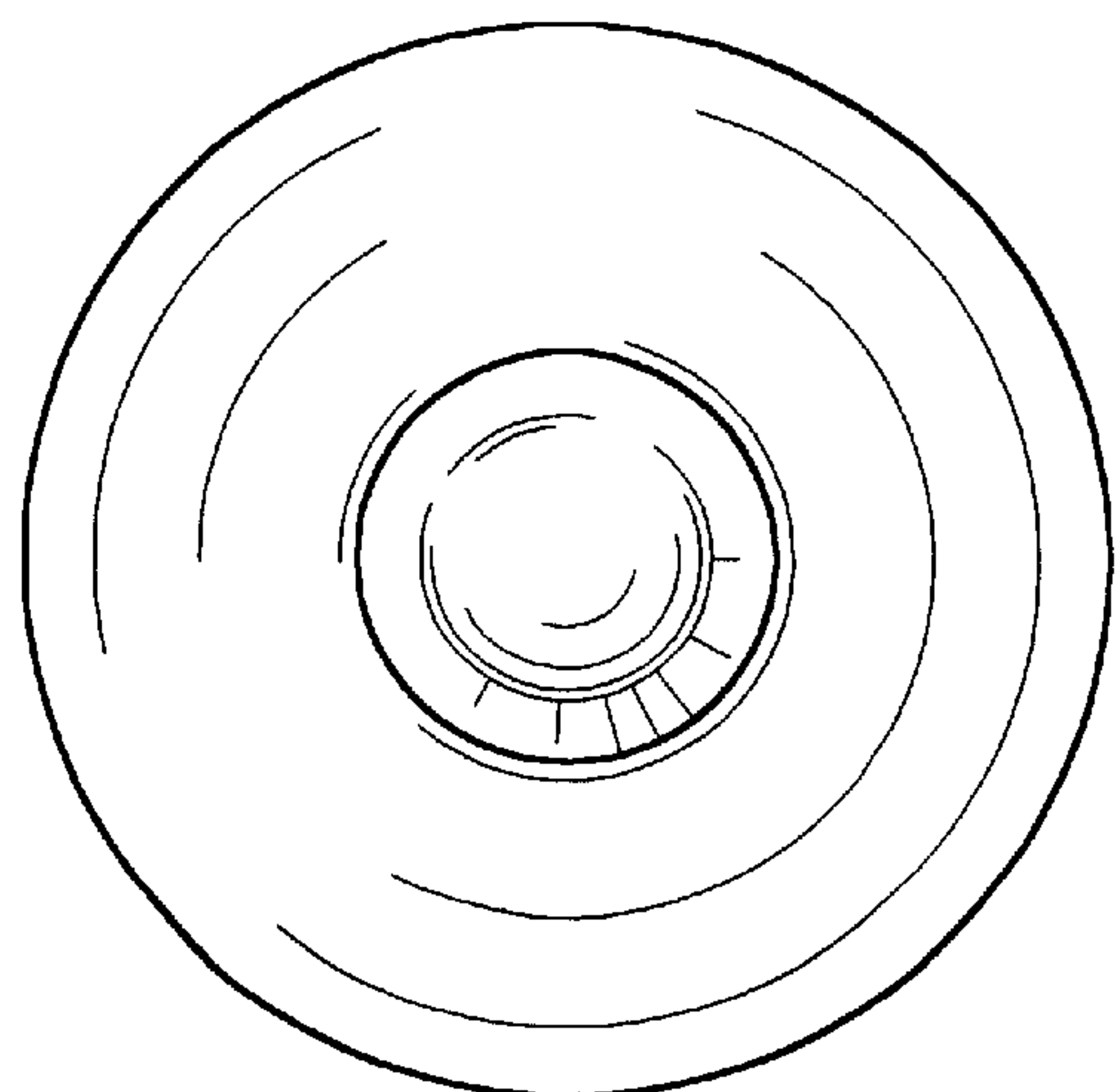
*FIG. 1*



*FIG. 2*

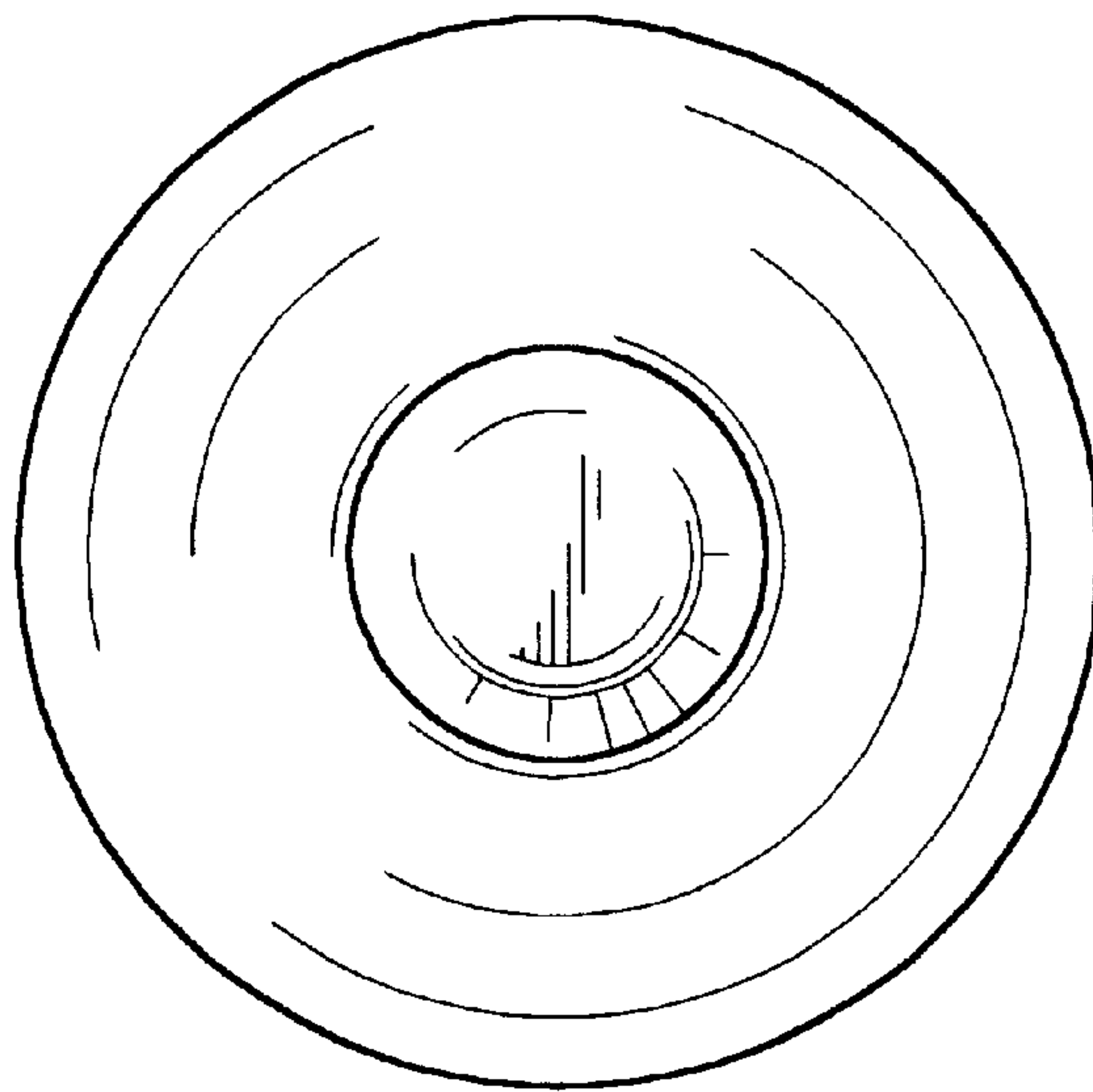
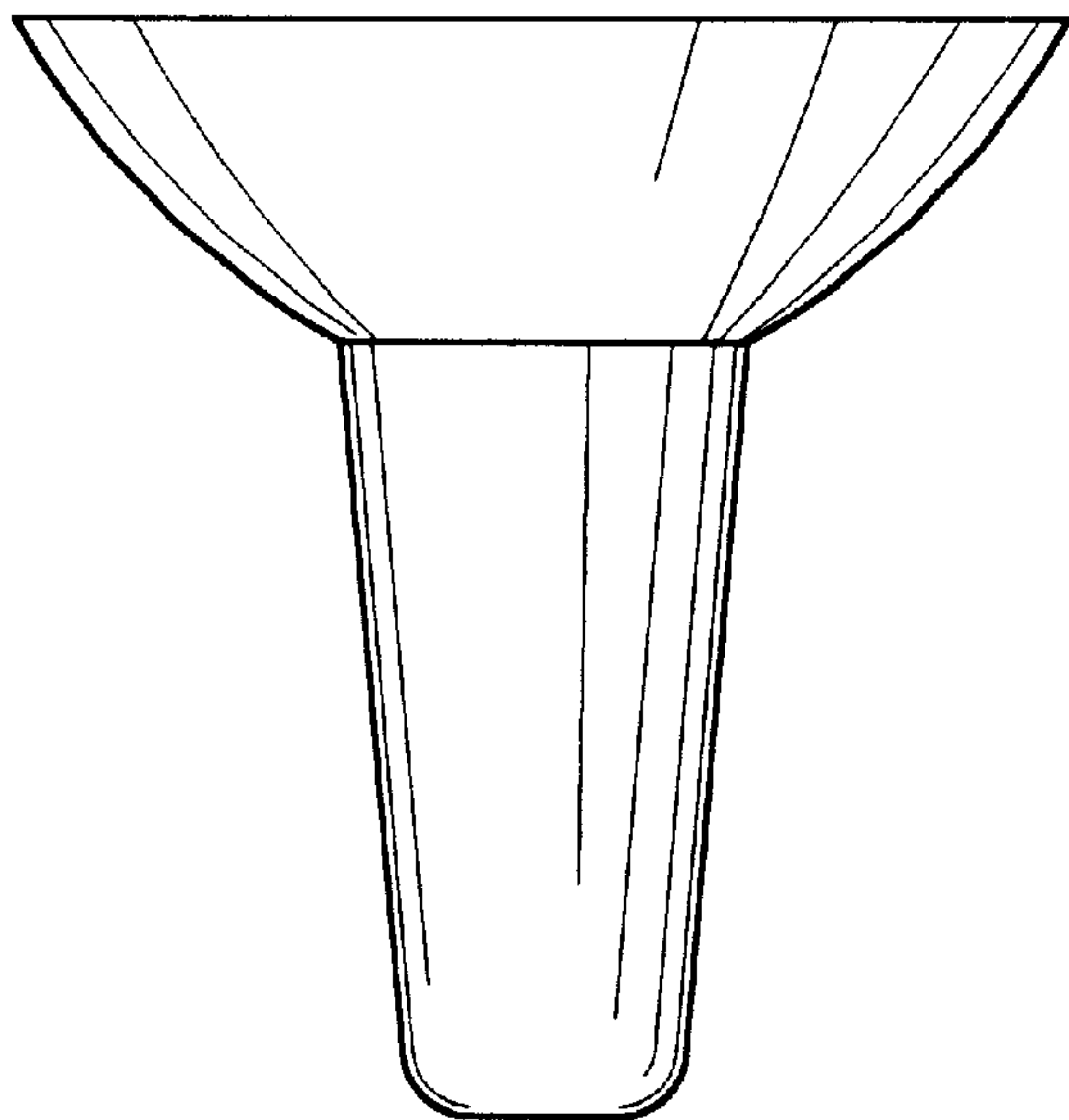


*FIG. 3*

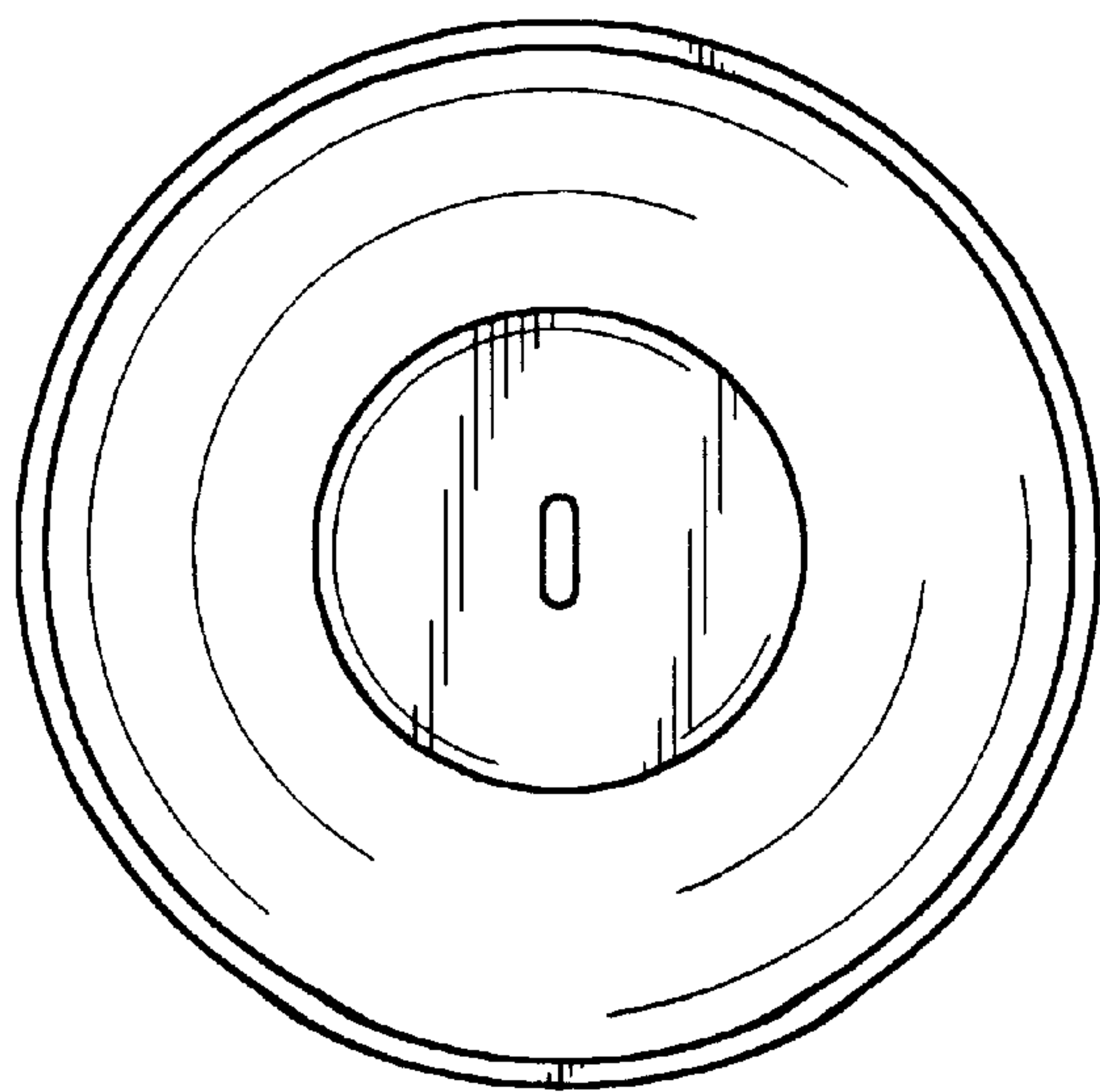


*FIG. 4*

*FIG. 5*



*FIG. 6*



*FIG. 7*