



US00D442756S

(12) **United States Design Patent**
Jarvis et al.

(10) **Patent No.:** **US D442,756 S**

(45) **Date of Patent:** **** May 22, 2001**

(54) **PORTABLE FOOD WARMER**

(75) Inventors: **Charles W. Jarvis**, Irvine; **Johannes Le**, Huntington Beach, both of CA (US)

(73) Assignee: **Cambro Manufacturing Company**, Huntington Beach, CA (US)

(**) Term: **14 Years**

(21) Appl. No.: **29/128,195**

(22) Filed: **Aug. 18, 2000**

(51) **LOC (7) Cl.** **12-02**

(52) **U.S. Cl.** **D34/19; D7/347**

(58) **Field of Search** D34/12-27; 280/79.2, 280/47.35, 47.26; D6/445, 446, 448; D7/347; 126/19 M, 19 R, 1 R

(56) **References Cited**

U.S. PATENT DOCUMENTS

- D. 355,517 * 2/1995 Campbell et al. D34/20
- D. 398,727 * 9/1998 Maddux et al. D34/19

- D. 411,678 * 6/1999 Di Paolo D34/21
- D. 414,589 * 9/1999 Wade D34/19
- 1,850,193 * 3/1932 Zahner 219/430

* cited by examiner

Primary Examiner—Kay H. Chin

(74) *Attorney, Agent, or Firm*—George F. Bethel

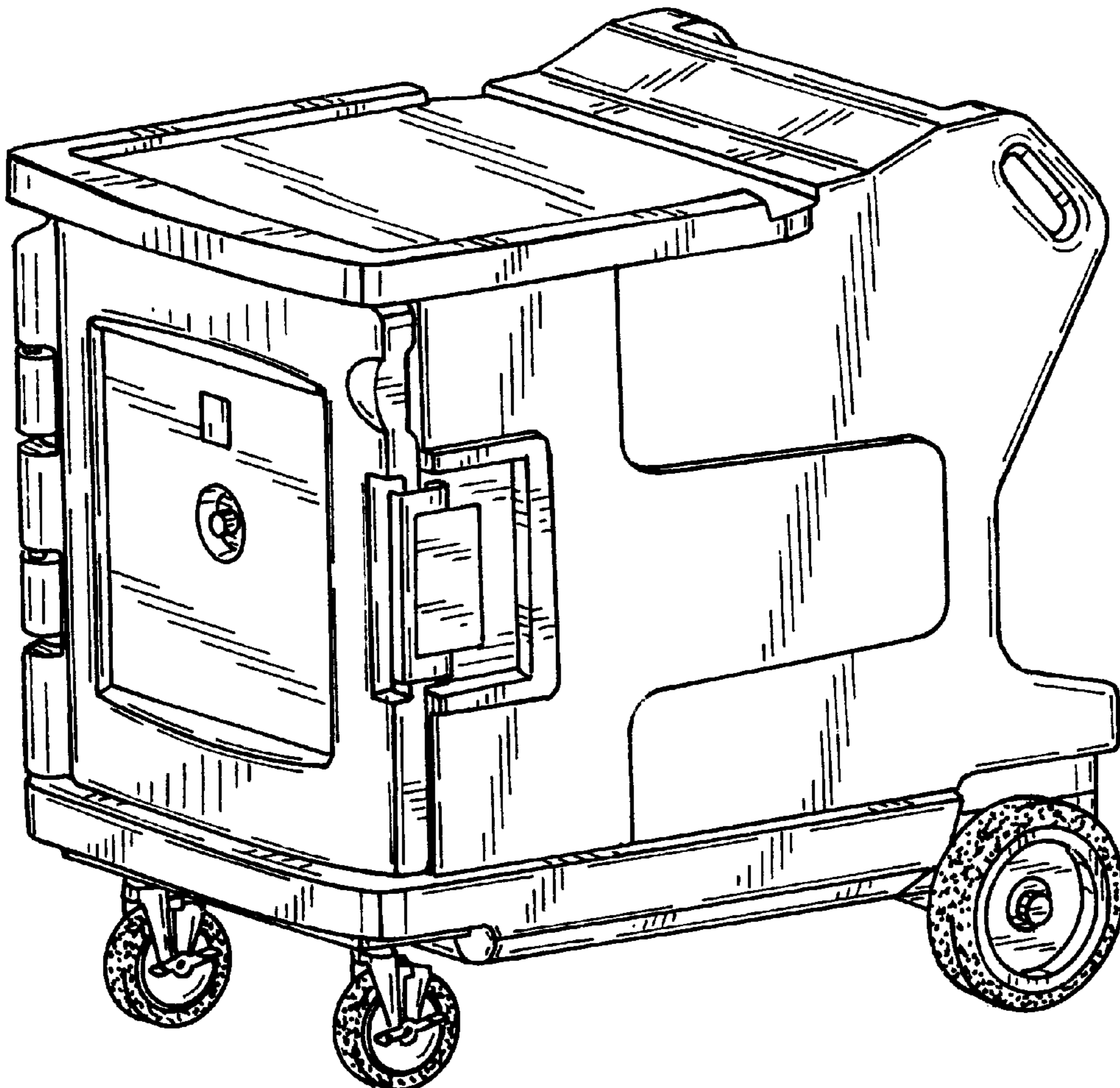
(57) **CLAIM**

We claim the ornamental design for a portable food warmer, as shown and described.

DESCRIPTION

FIG. 1 is a front perspective view of a portable food warmer showing our new design;
 FIG. 2 is a front elevational view thereof;
 FIG. 3 is a left side elevational view thereof;
 FIG. 4 is a top plan view thereof;
 FIG. 5 is a right side elevational view thereof;
 FIG. 6 is a rear elevational view thereof; and,
 FIG. 7 is a bottom plan view thereof.

1 Claim, 3 Drawing Sheets



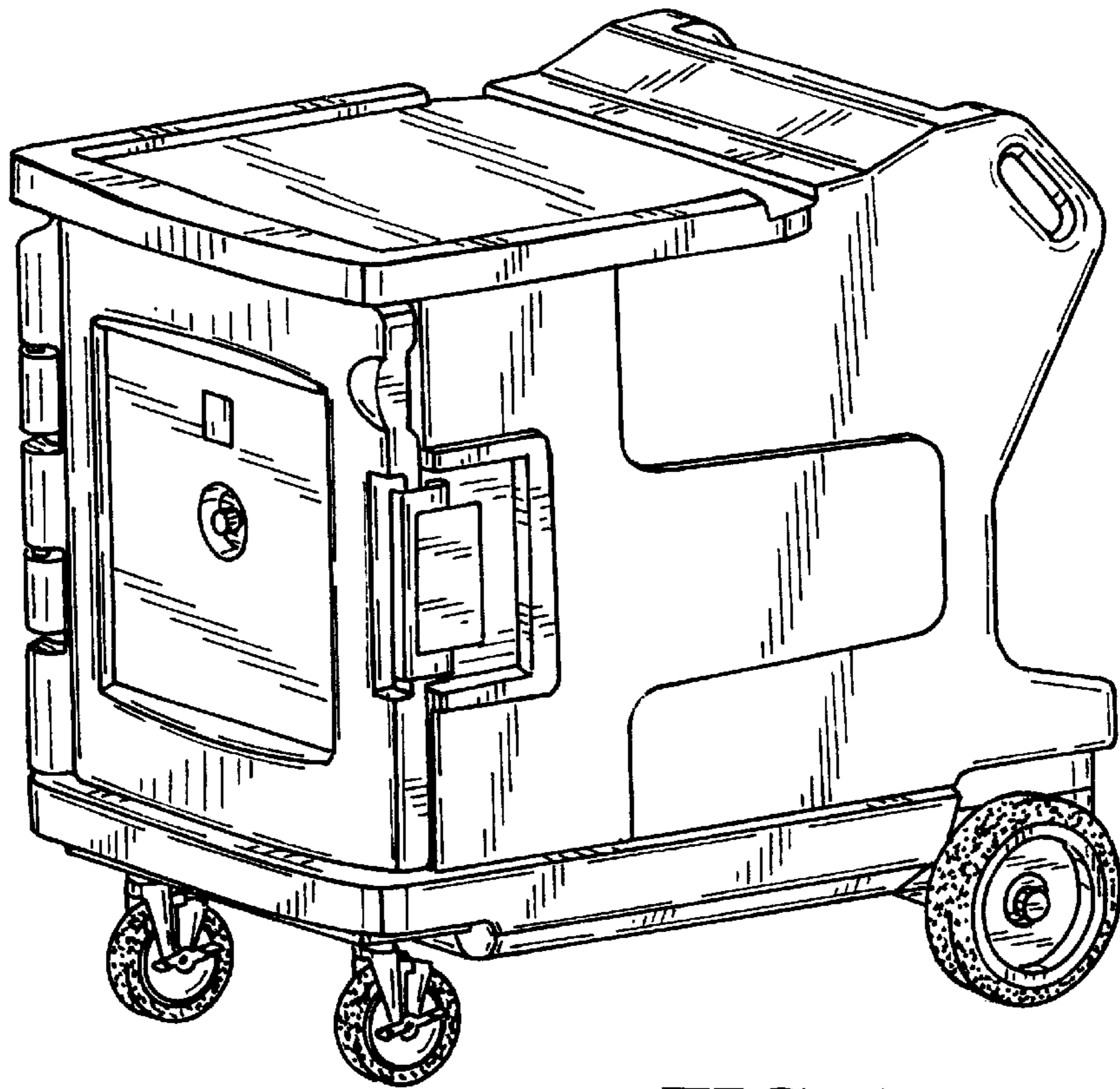


FIG. 1

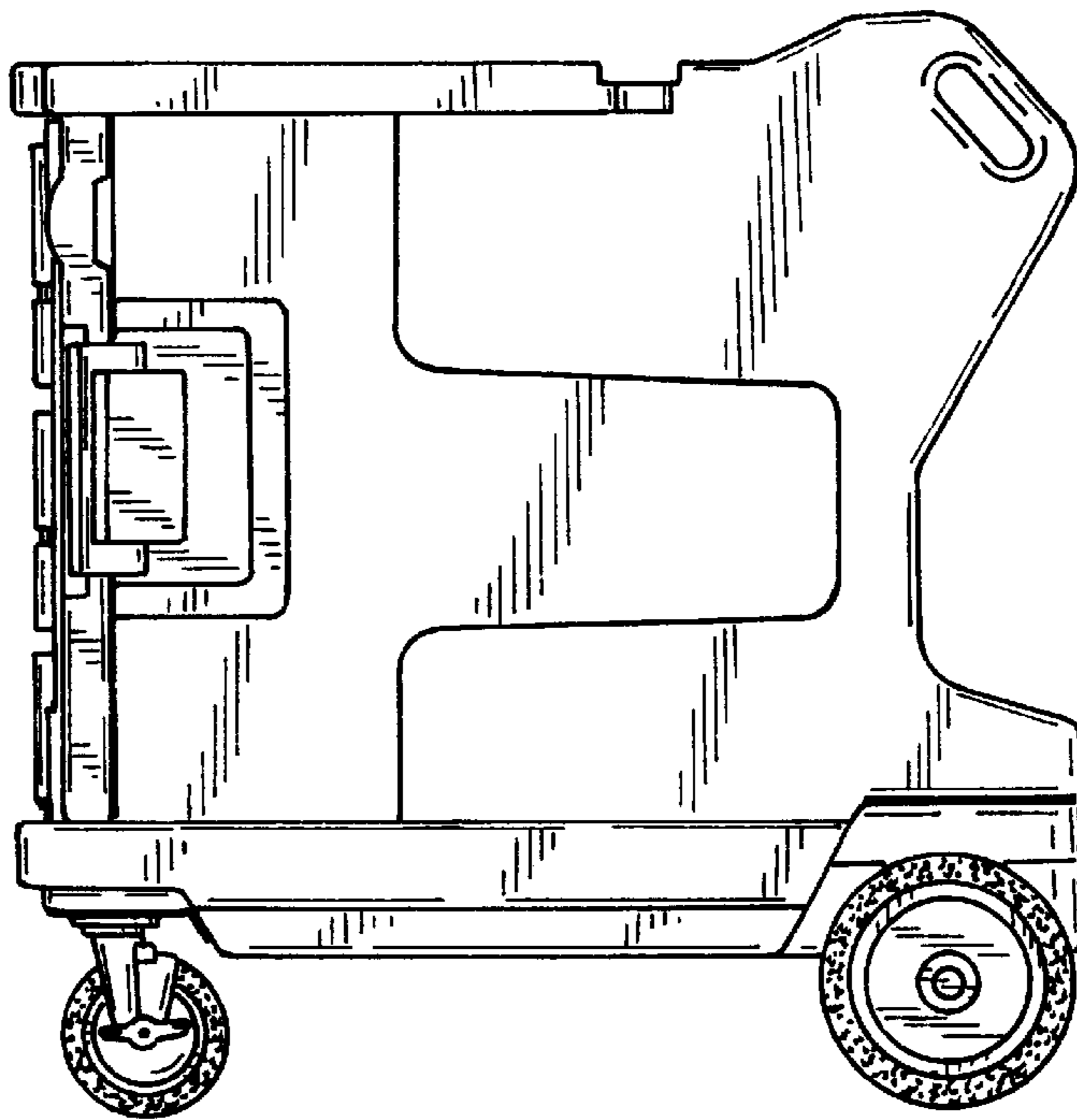


FIG. 3

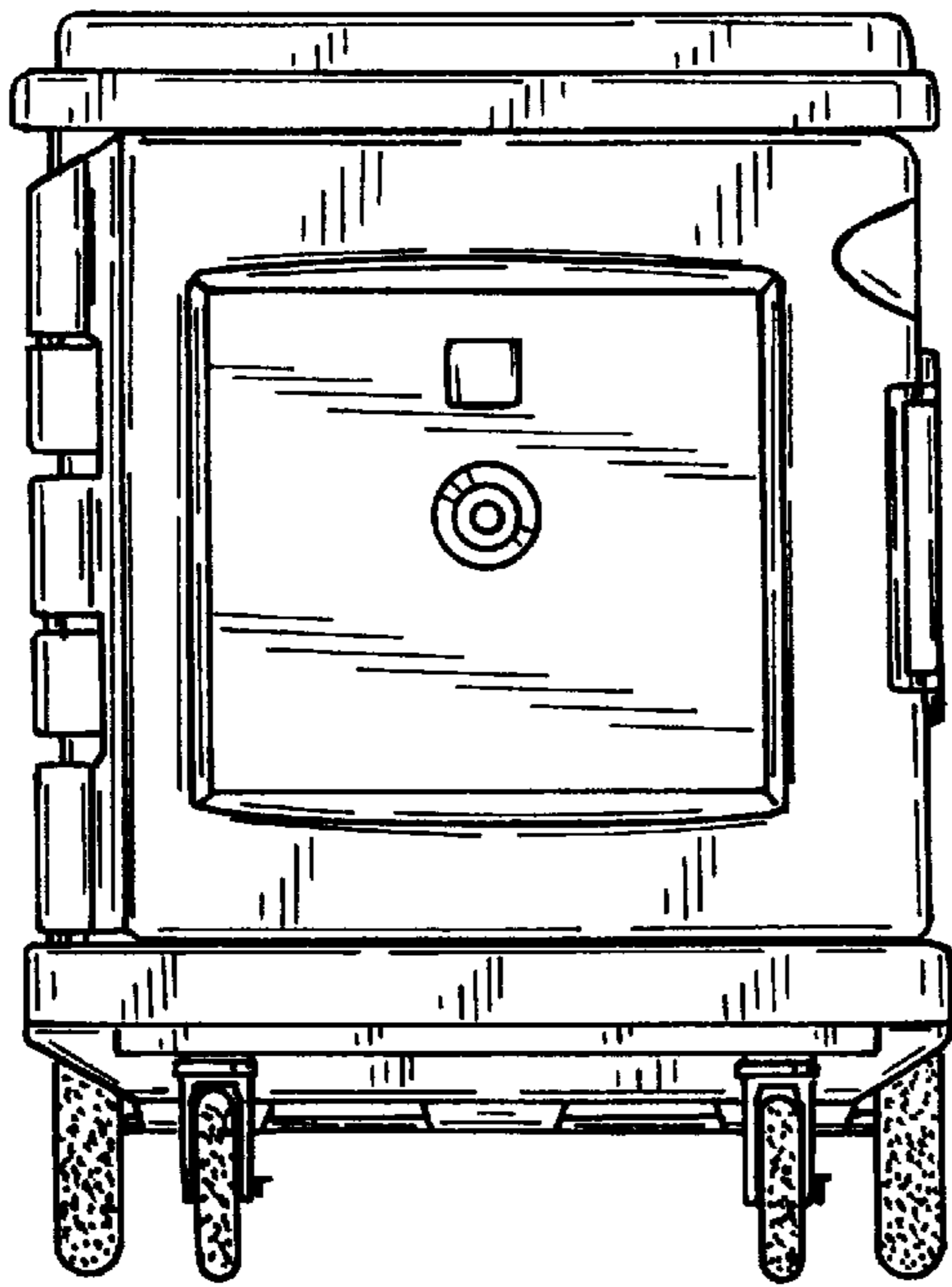


FIG. 2

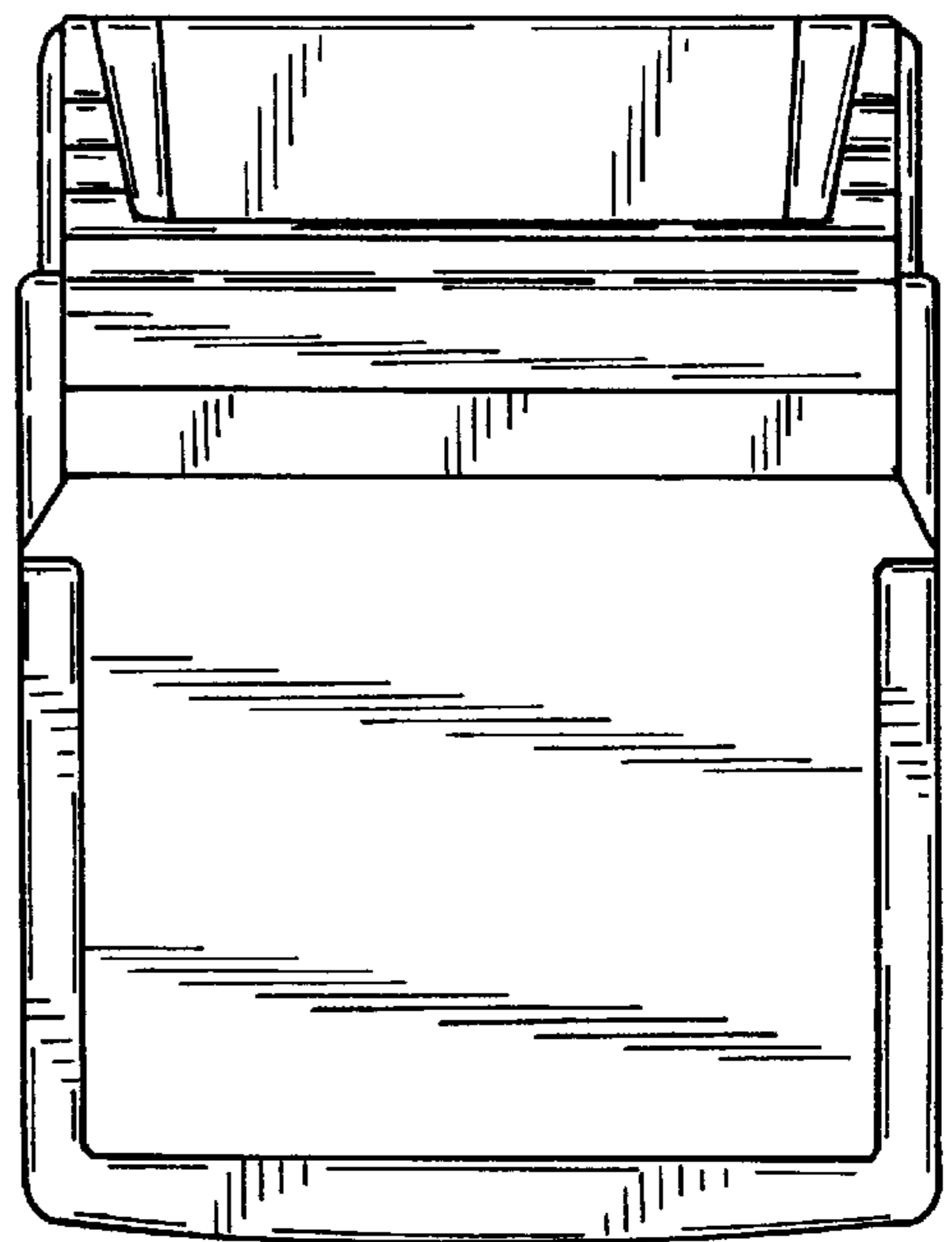


FIG. 4

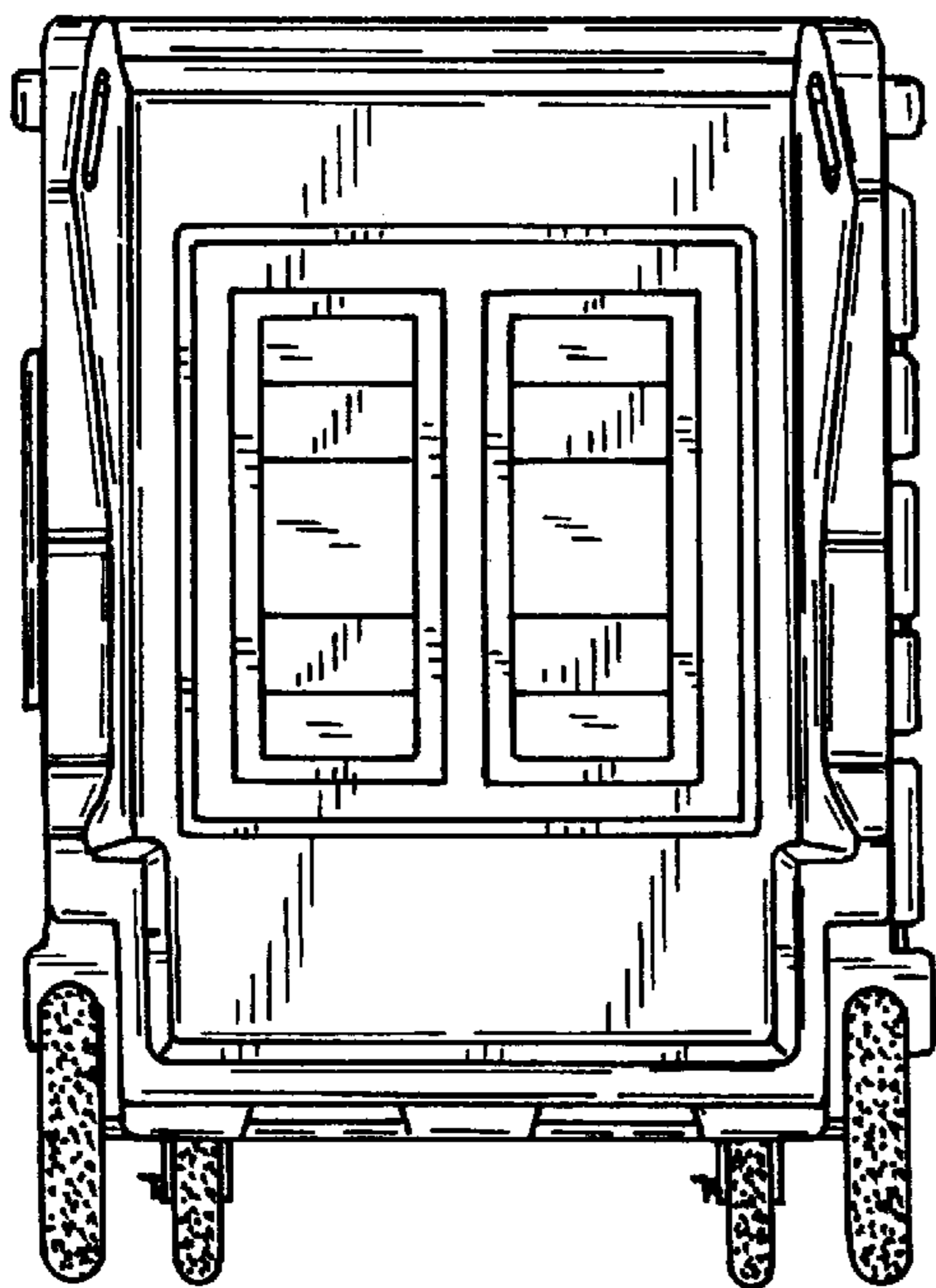


FIG. 6

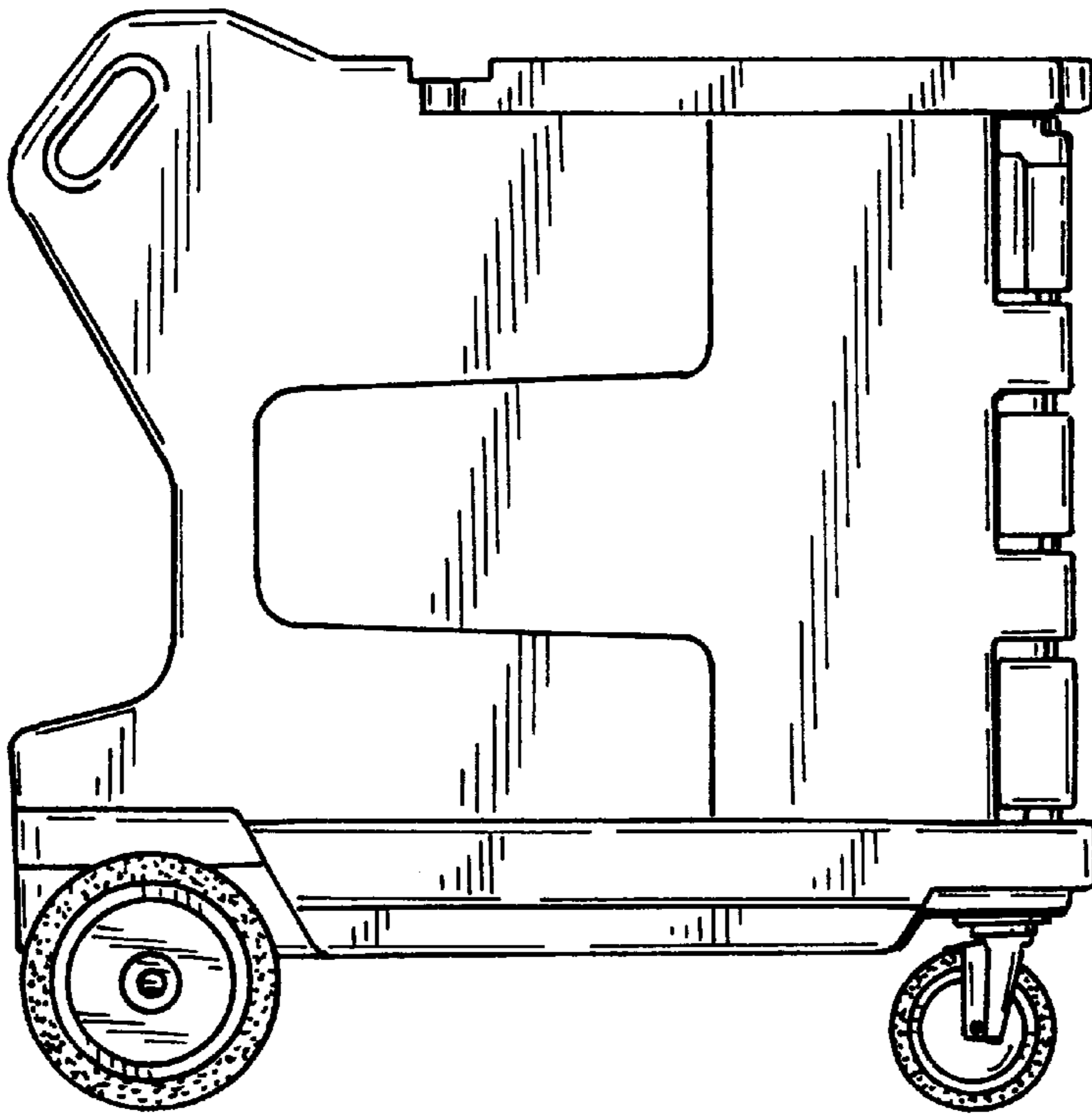


FIG. 5

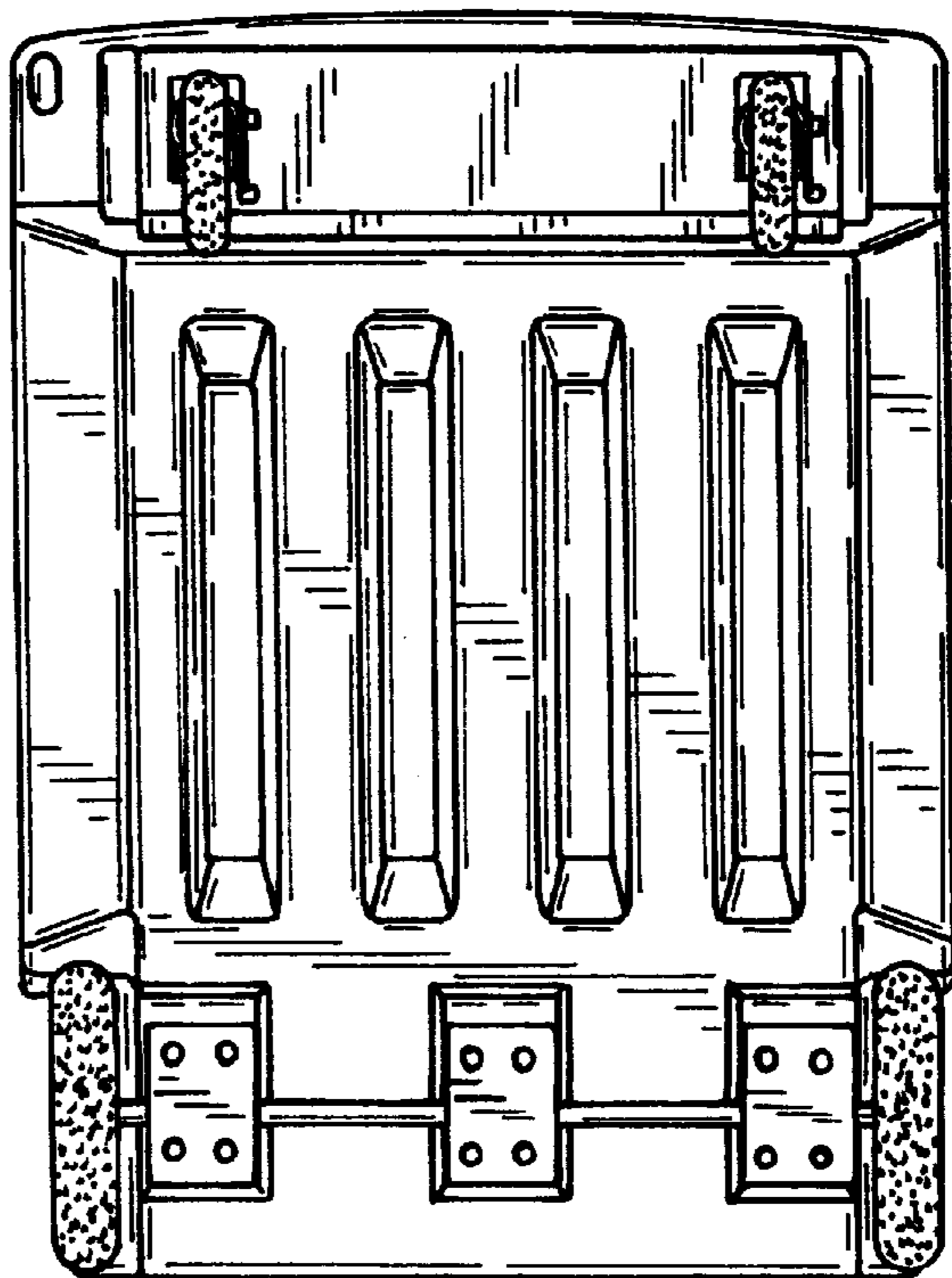


FIG. 7