



US00D442753S

(12) **United States Design Patent**
Weiss et al.

(10) **Patent No.: US D442,753 S**

(45) **Date of Patent: ** May 22, 2001**

(54) **SQUARED SIDE DOOR RECEPTACLE**

D. 420,479 * 2/2000 Delmerico D34/1
3,793,756 * 2/1974 Kay et al. 220/908 X

(75) Inventors: **Richard E. Weiss; Sam Weiss**, both of
Pottsville, PA (US)

* cited by examiner

(73) Assignee: **United Metals Receptacle Inc.**,
Pottsville, PA (US)

Primary Examiner—Cynthia E. Ramirez
(74) *Attorney, Agent, or Firm*—Duane, Morris &
Heckscher LLP

(**) Term: **14 Years**

(57) **CLAIM**

(21) Appl. No.: **29/118,088**

The ornamental design of a squared side door receptacle, as shown and described.

(22) Filed: **Feb. 3, 2000**

DESCRIPTION

(51) **LOC (7) Cl.** **09-09**

(52) **U.S. Cl.** **D34/1**

(58) **Field of Search** D34/1, 5, 6, 10;
220/908, 909, 910, 911

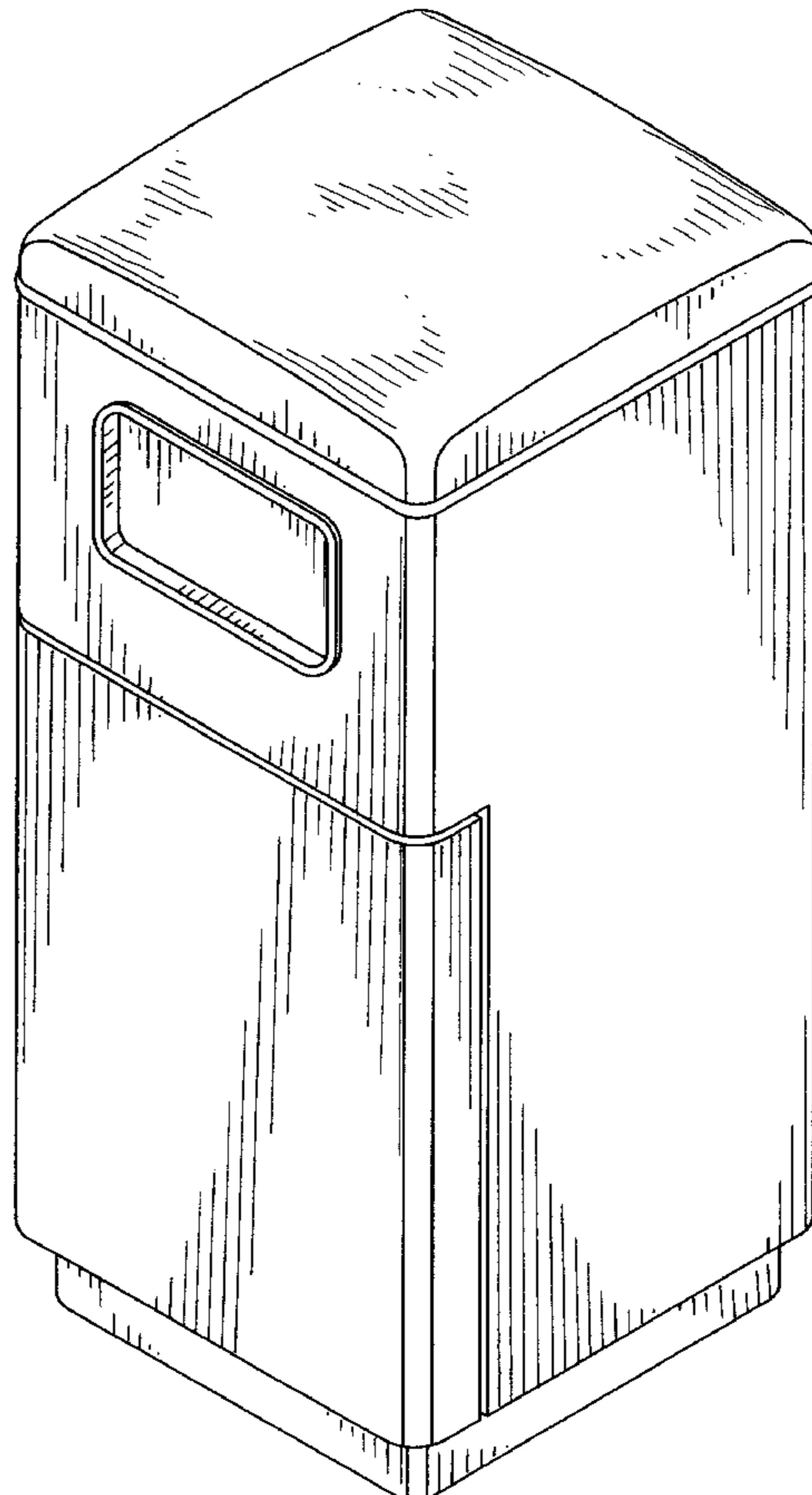
FIG. 1 is a front perspective view of the squared side door receptacle according to the new design;
FIG. 2 is a front perspective view thereof with the side door open, an internal can being shown in broken lines and forming no part of the subject design;
FIG. 3 is a front elevation view;
FIG. 4 is a rear elevation view;
FIG. 5 is a side elevation view from the right in FIG. 3;
FIG. 6 is a top plan view;
FIG. 7 is a bottom plan view;
FIG. 8 is a front perspective view for a squared side door receptacle showing a second embodiment, and;
FIG. 9 is a front elevation view thereof.

(56) **References Cited**

U.S. PATENT DOCUMENTS

- D. 229,279 * 11/1973 Kay et al. D34/1
- D. 232,211 * 7/1974 Kay et al. D34/1
- D. 234,288 * 2/1975 Kay et al. D34/1
- D. 246,496 * 11/1977 Weckwerth D34/1
- D. 288,494 * 2/1987 Palmer D34/5
- D. 349,997 * 8/1994 Ullmann D34/1
- D. 410,124 * 5/1999 Nilsson et al. D34/1
- D. 419,605 * 1/2000 Thomas et al. D34/1 X

1 Claim, 7 Drawing Sheets



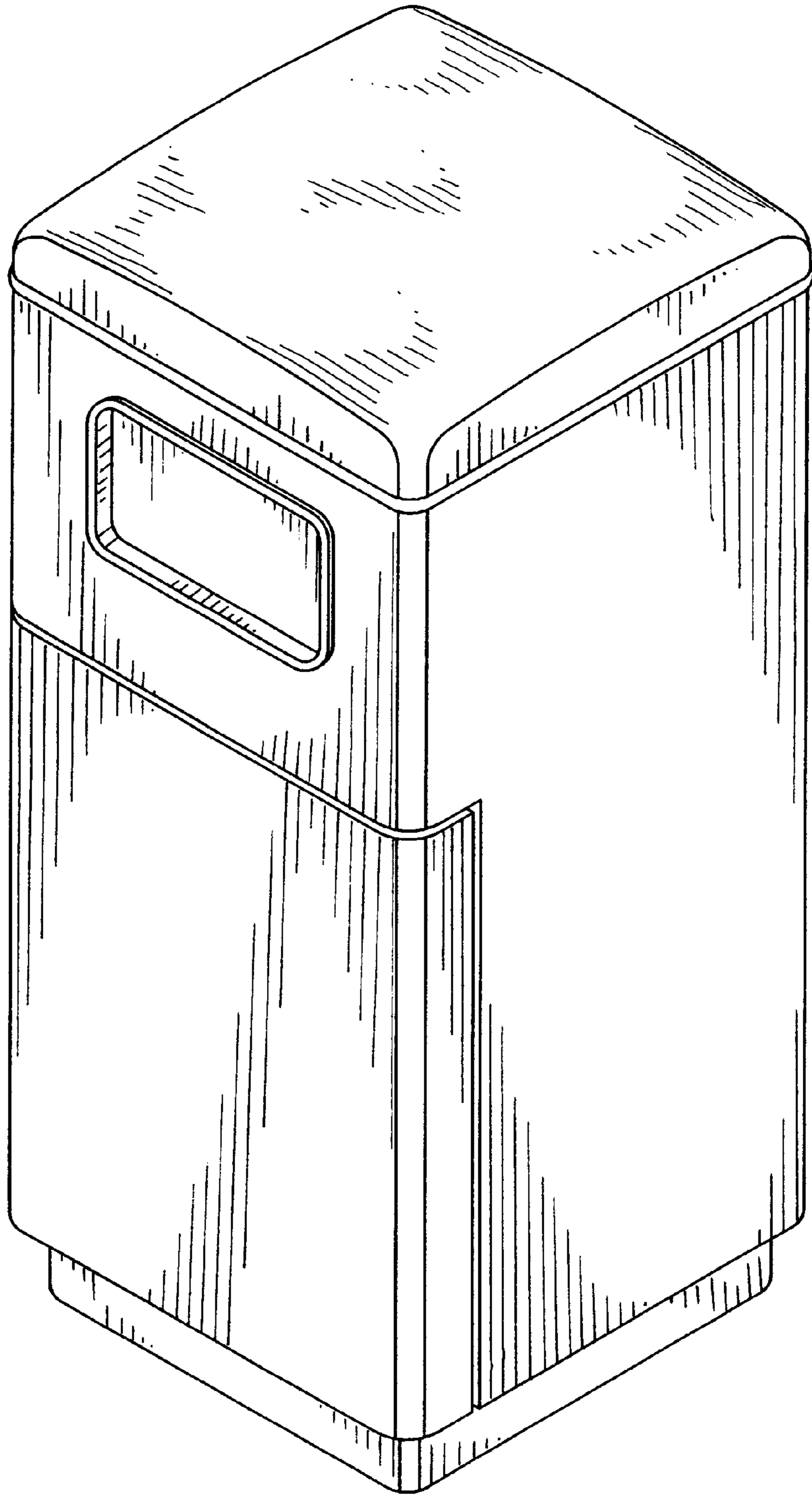


FIG. 1

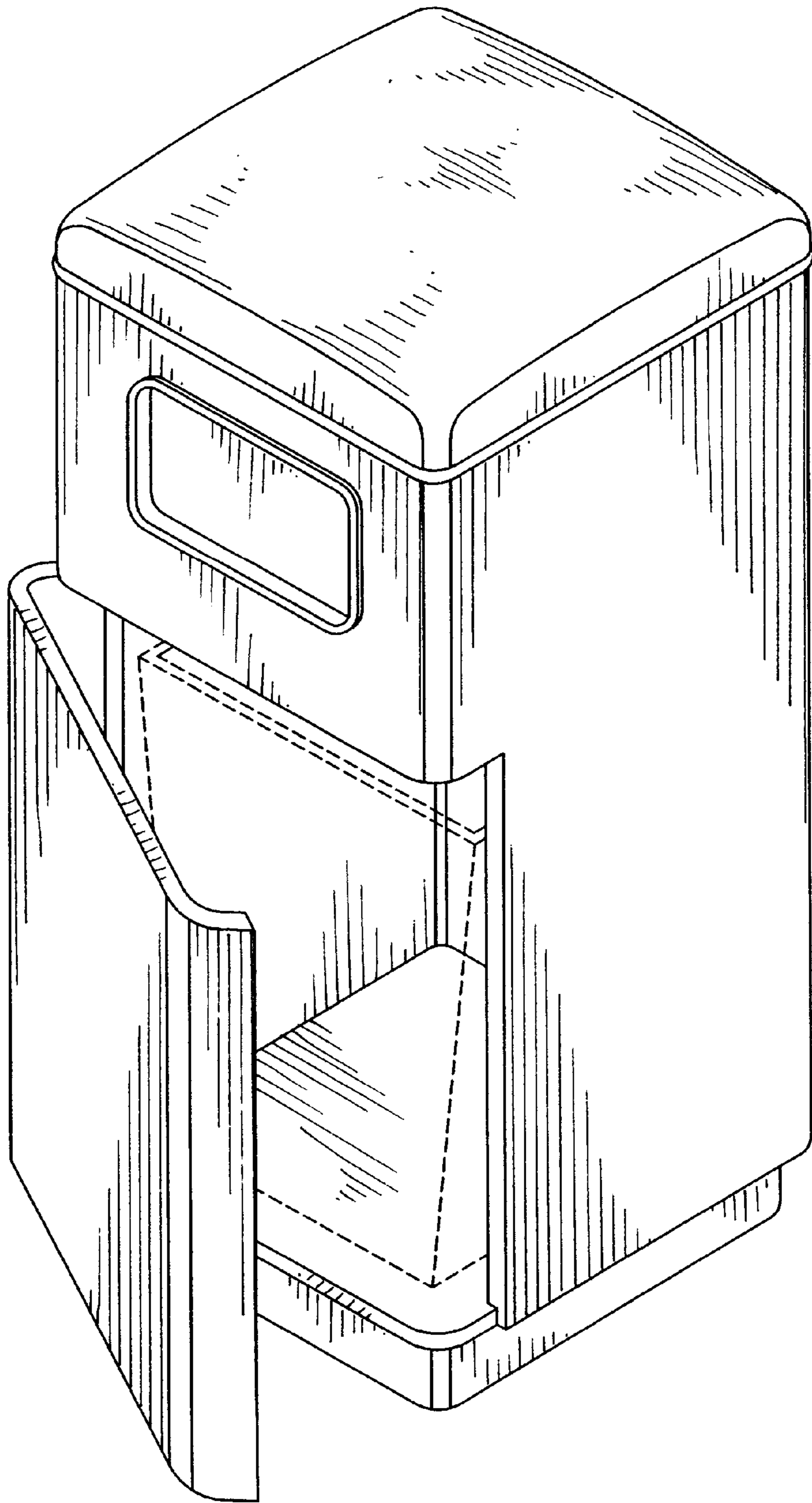


FIG. 2

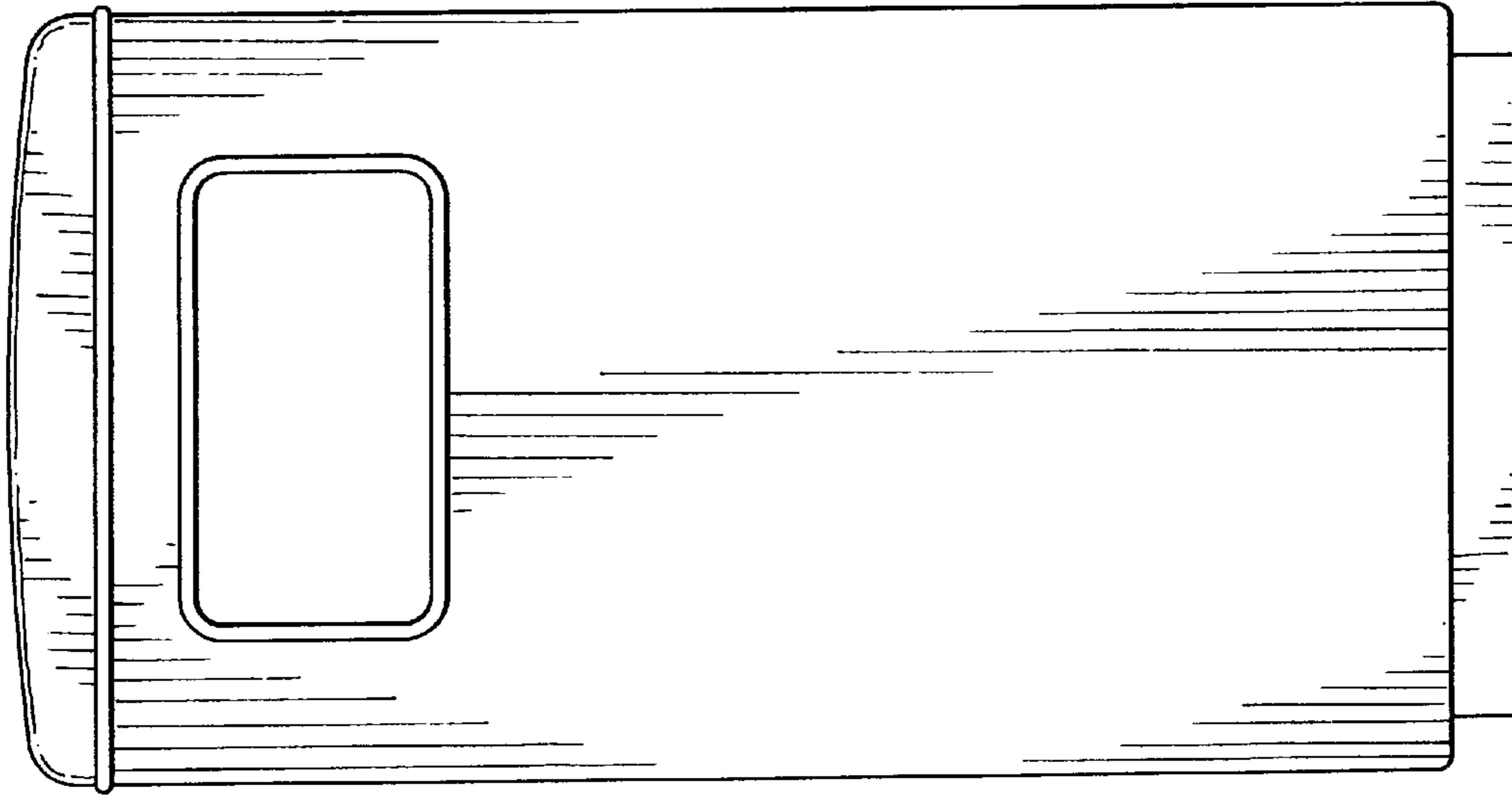


FIG. 3

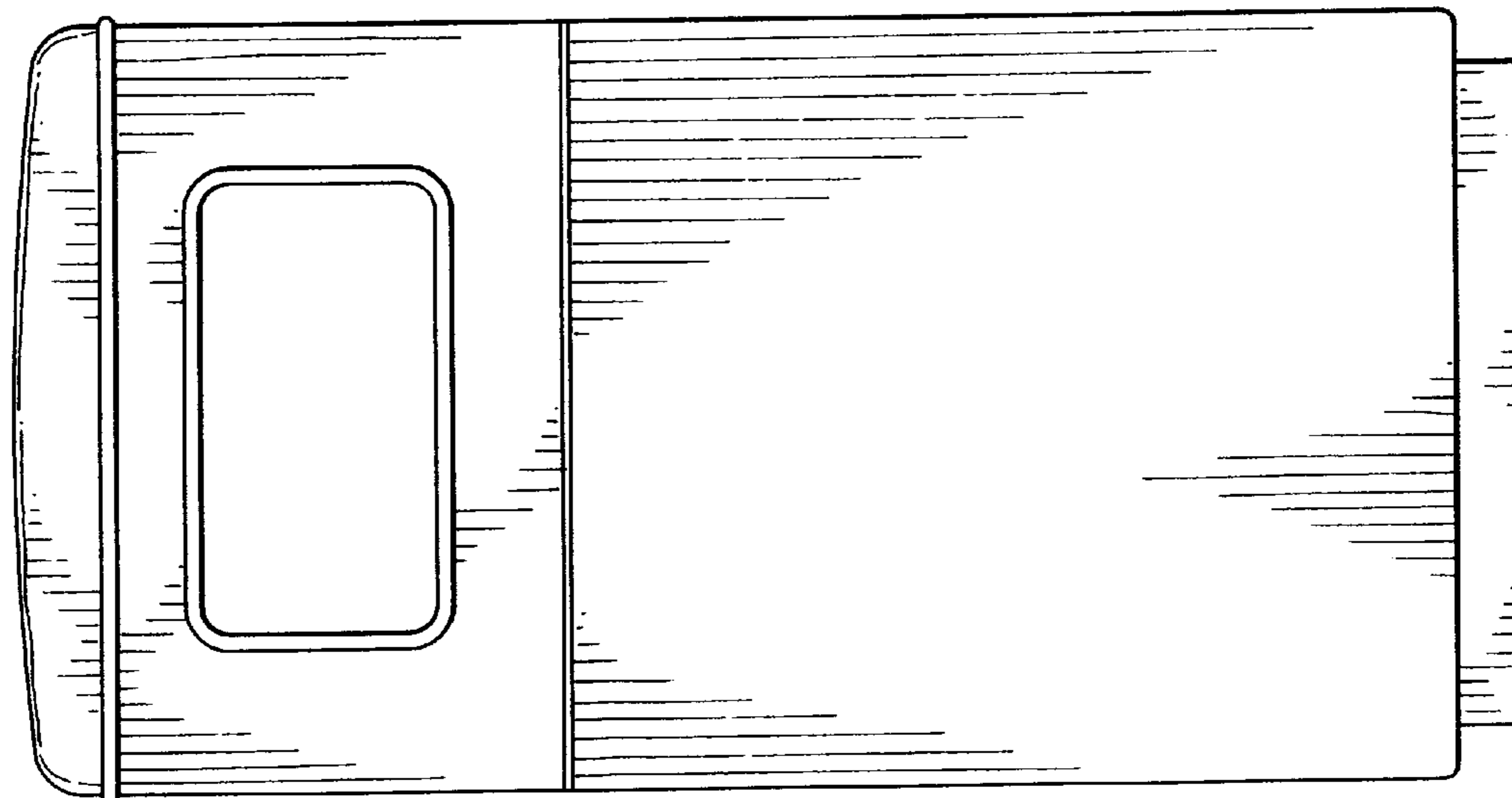


FIG. 4

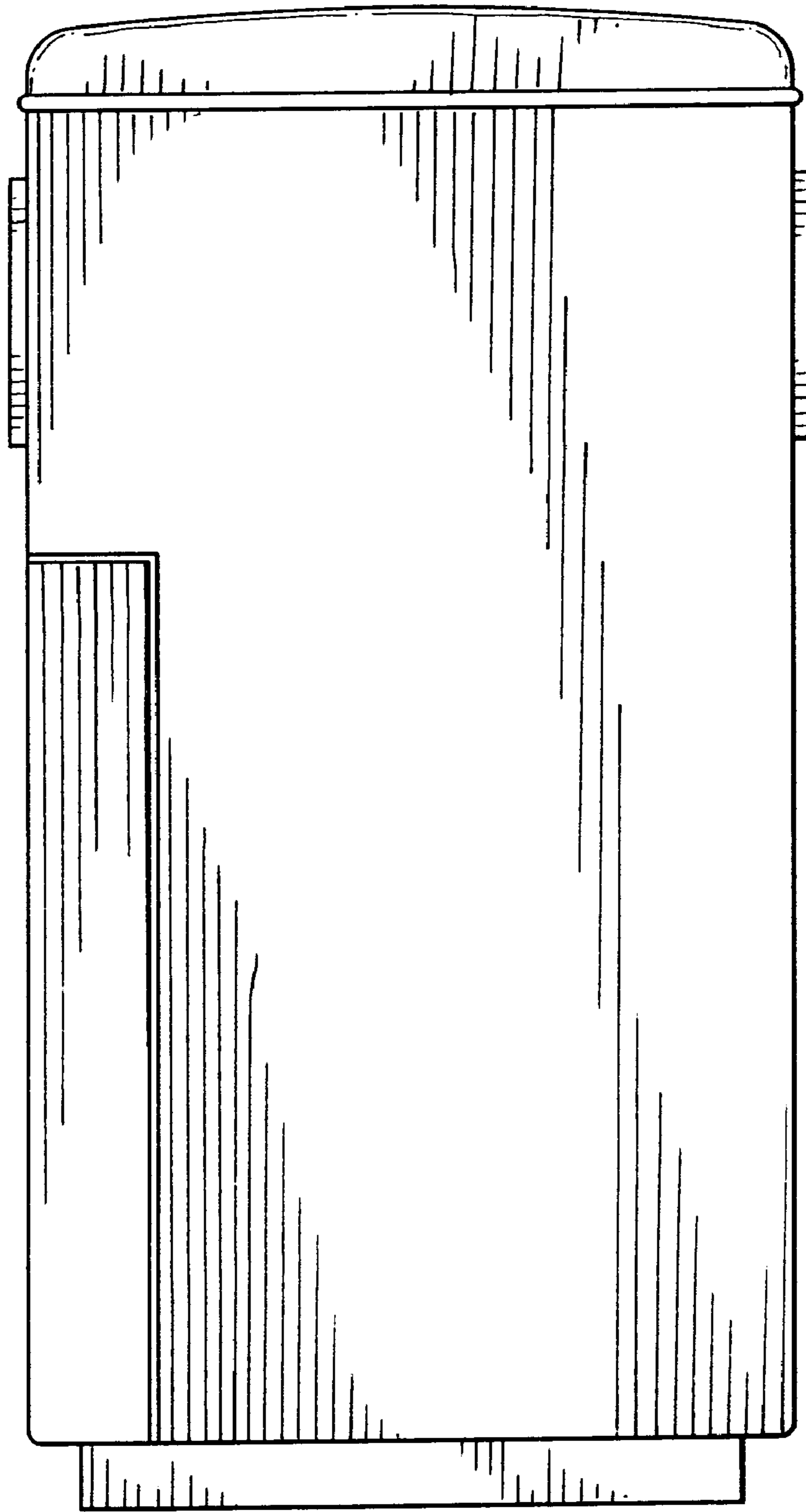


FIG. 5

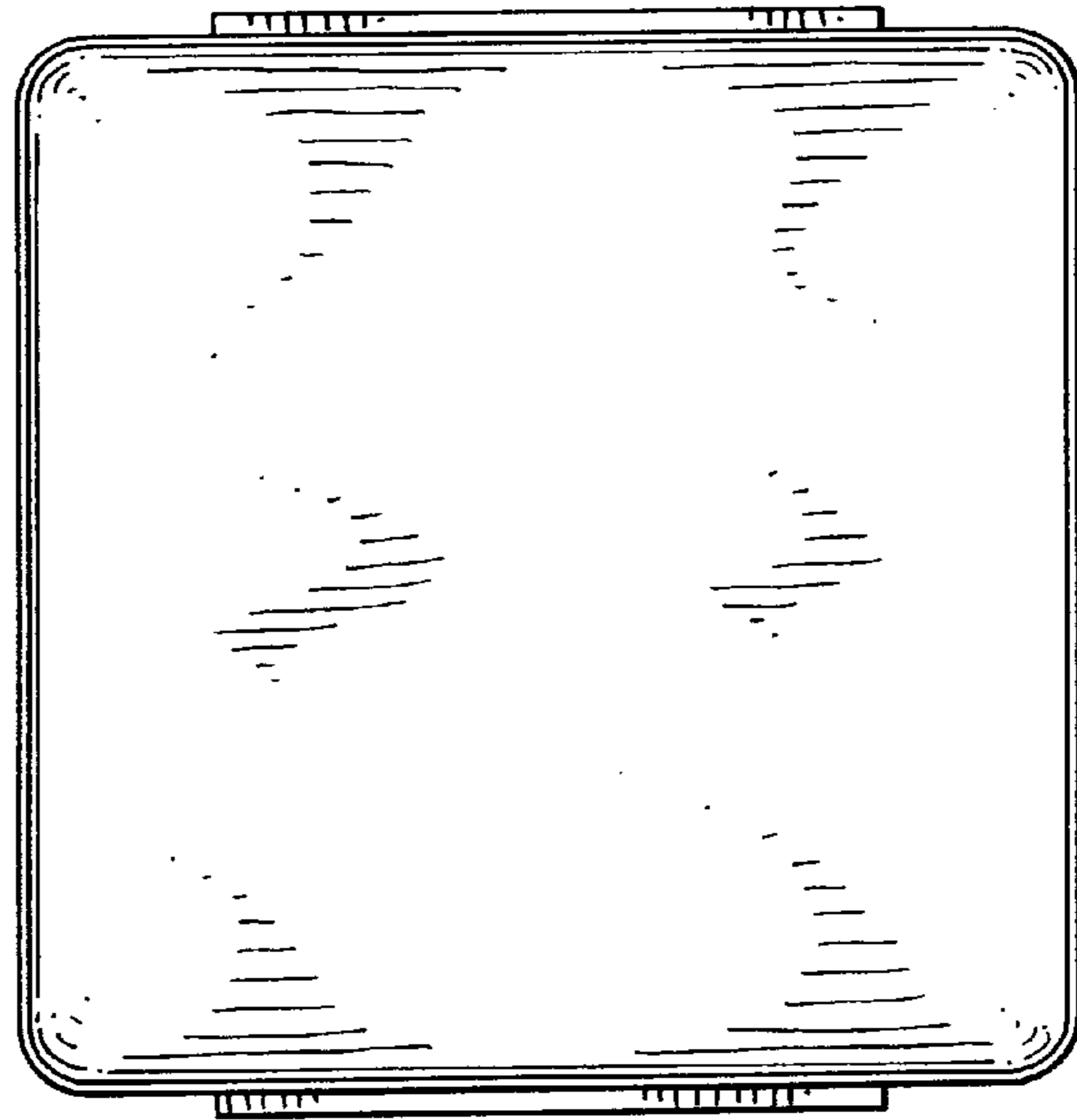


FIG. 6

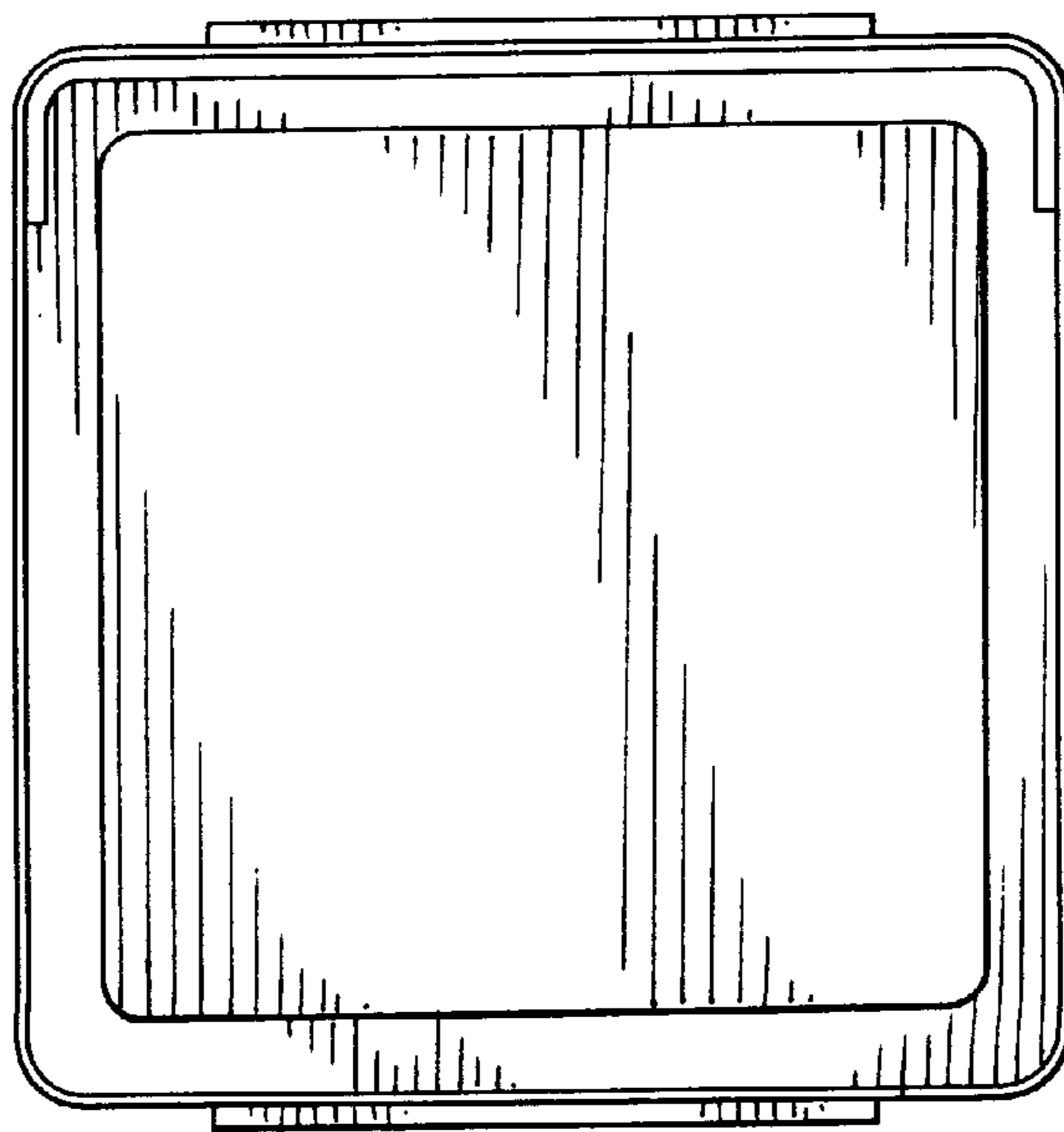


FIG. 7

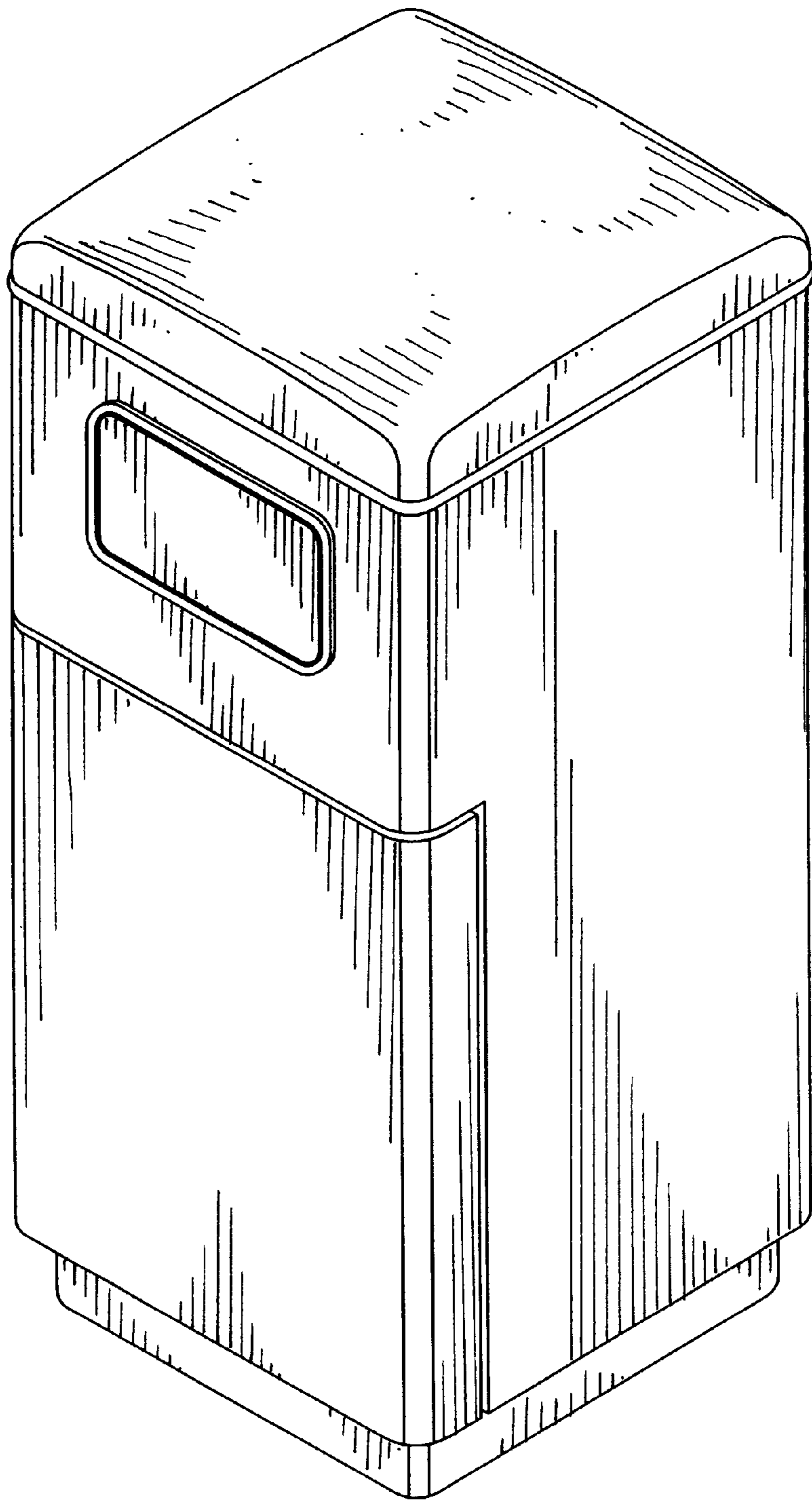


FIG. 8

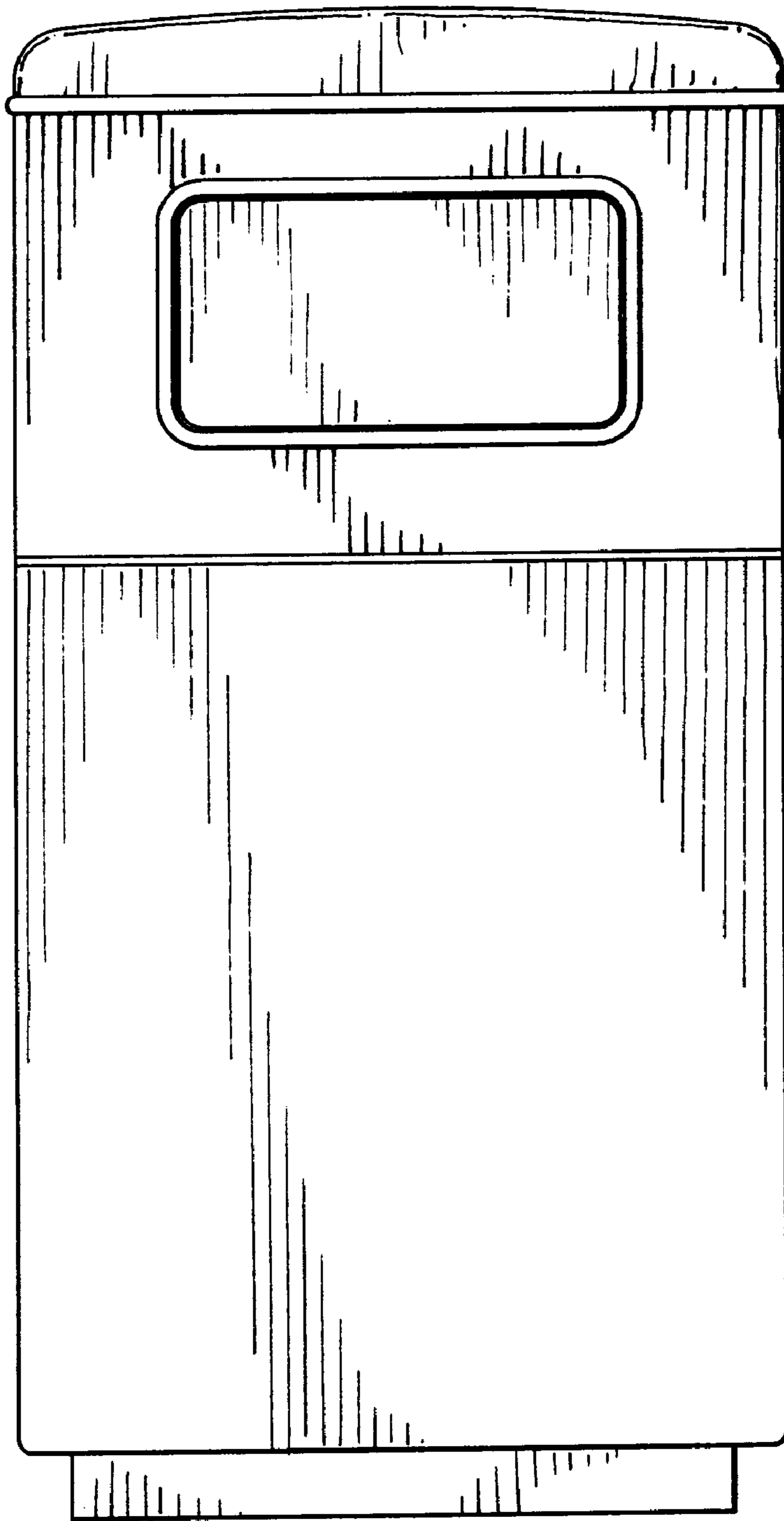


FIG. 9