



US00D442749S

(12) **United States Design Patent**  
**Jones et al.**

(10) **Patent No.:** **US D442,749 S**

(45) **Date of Patent:** **\*\* May 22, 2001**

(54) **SPRAY ARCH FOR VEHICLE WASHING MACHINE**

(75) Inventors: **Allen S. Jones; Mike Connell**, both of Oneida, WI (US)

(73) Assignee: **Delaware Capital Formation, Inc.**, Wilmington, DE (US)

(\*\*) Term: **14 Years**

(21) Appl. No.: **29/122,828**

(22) Filed: **May 4, 2000**

(51) **LOC (7) Cl.** ..... **15-05**

(52) **U.S. Cl.** ..... **D32/4**

(58) **Field of Search** ..... D32/4; 134/57 R, 134/123, 102.2, 103.3, 165, 172; 239/200, 273, 550

(56) **References Cited**

**U.S. PATENT DOCUMENTS**

- 2,754,834 \* 7/1956 Merancy et al. .... 134/57 R
- 2,788,009 \* 4/1957 Lones ..... 134/102.2
- 3,072,131 \* 1/1963 Di Laurenzio ..... 134/123
- 6,000,631 \* 12/1999 Lamminen ..... 134/123

\* cited by examiner

*Primary Examiner*—Mitchell Siegel

(74) *Attorney, Agent, or Firm*—Andrus, Sceales, Starke & Sawall, LLP

(57) **CLAIM**

The ornamental design of a spray arch for vehicle washing machine, as shown and described.

**DESCRIPTION**

FIG. 1 is a perspective view illustrating the spray arch for vehicle washing machine of the present invention;

FIG. 2 is a front view of the spray arch for vehicle washing machine of the present invention, the back view being a mirror image thereof;

FIG. 3 is a left side view of the spray arch for vehicle washing machine of the present invention;

FIG. 4 is a right side view of the spray arch for vehicle washing machine of the present invention;

FIG. 5 is a top view of the spray arch for vehicle washing machine, of the present invention;

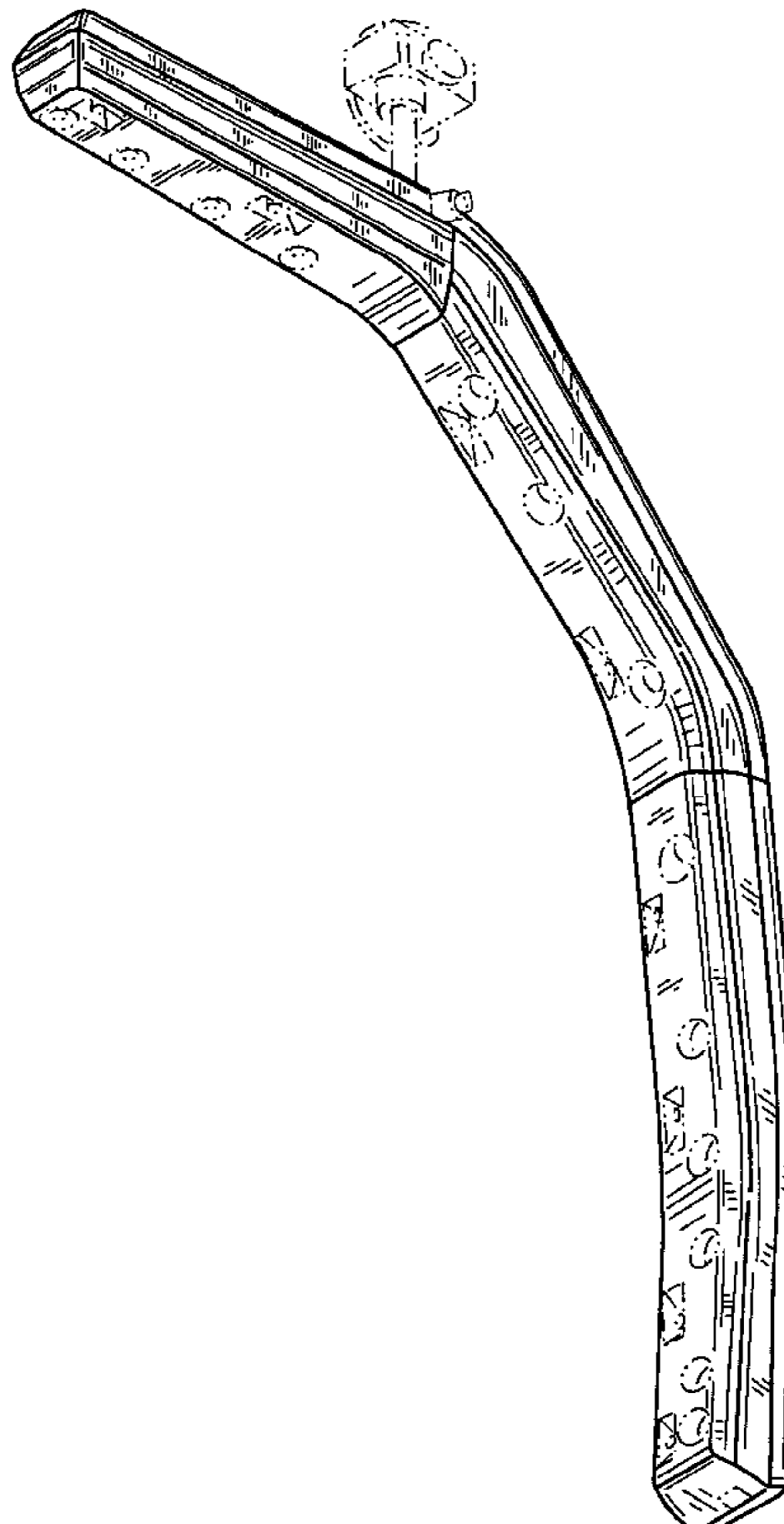
FIG. 6 is a bottom view of the spray arch for vehicle washing machine of the present invention;

FIG. 7 is a view of the spray arch for vehicle washing machine of the present invention taken along line 7—7 of FIG. 2; and,

FIG. 8 is a view of the spray arch for vehicle washing machine of the present invention taken along line 8—8 of FIG. 2;

The broken lines shown in the Figures are for illustrative purposes only and form no part of the claimed design.

**1 Claim, 3 Drawing Sheets**



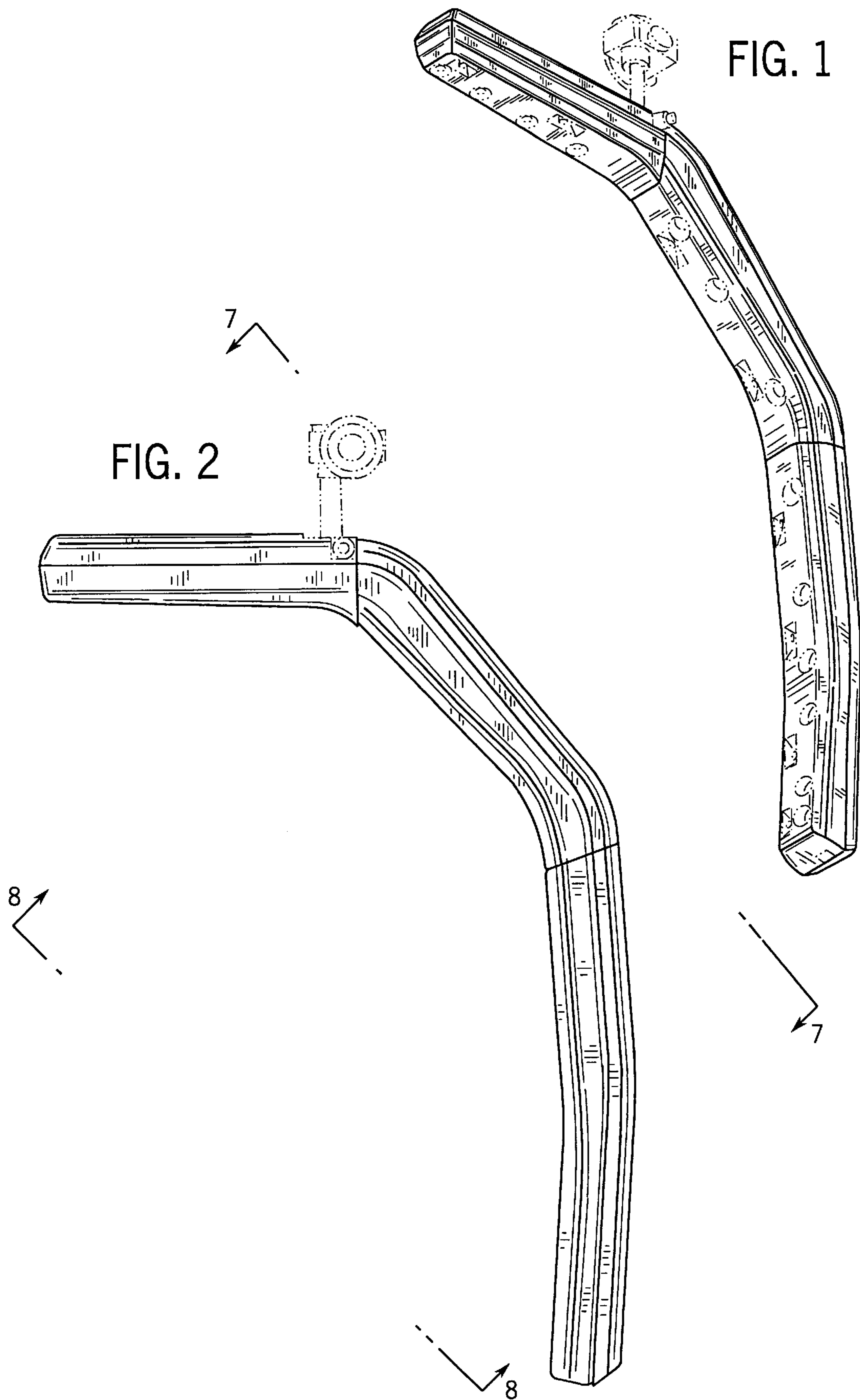


FIG. 3

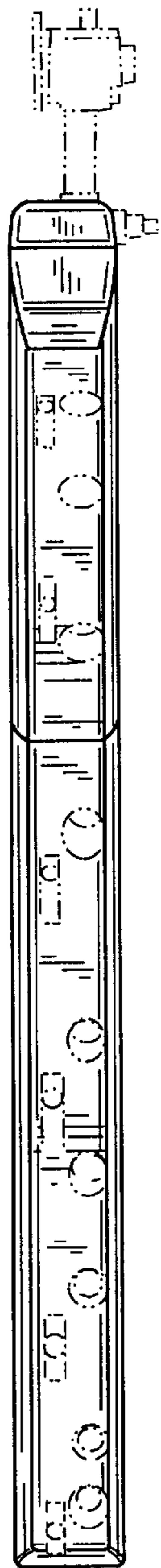


FIG. 4

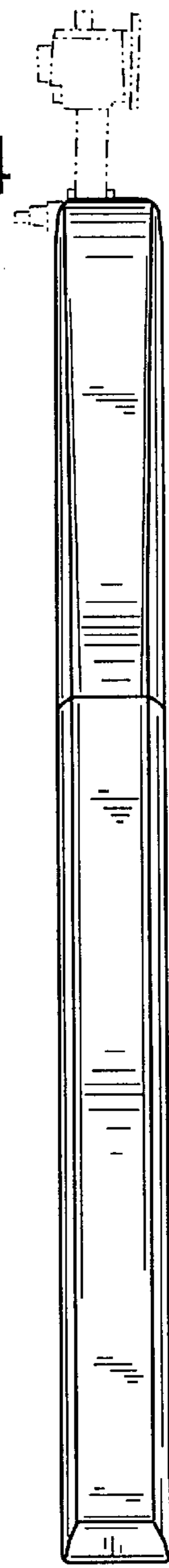


FIG. 5

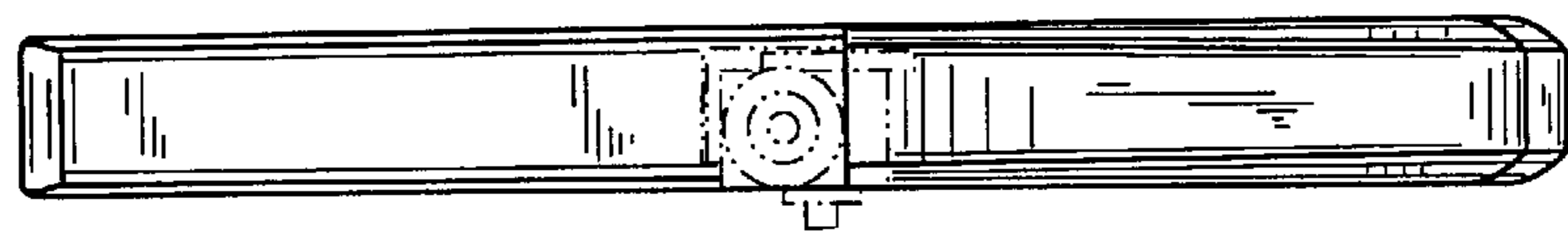
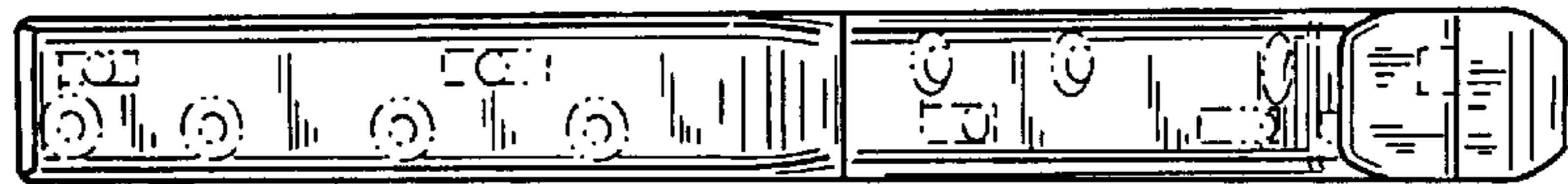


FIG. 6



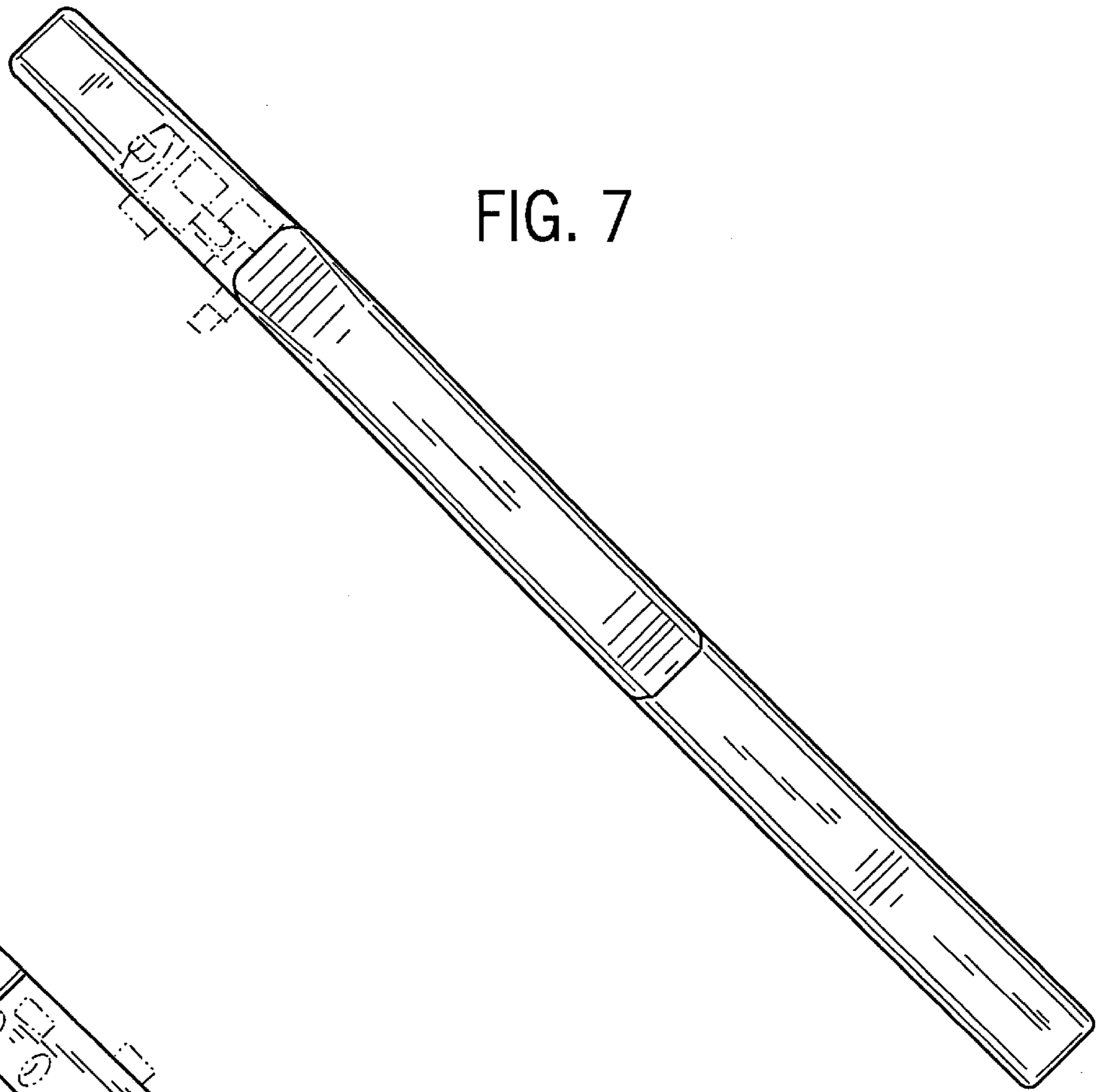


FIG. 7

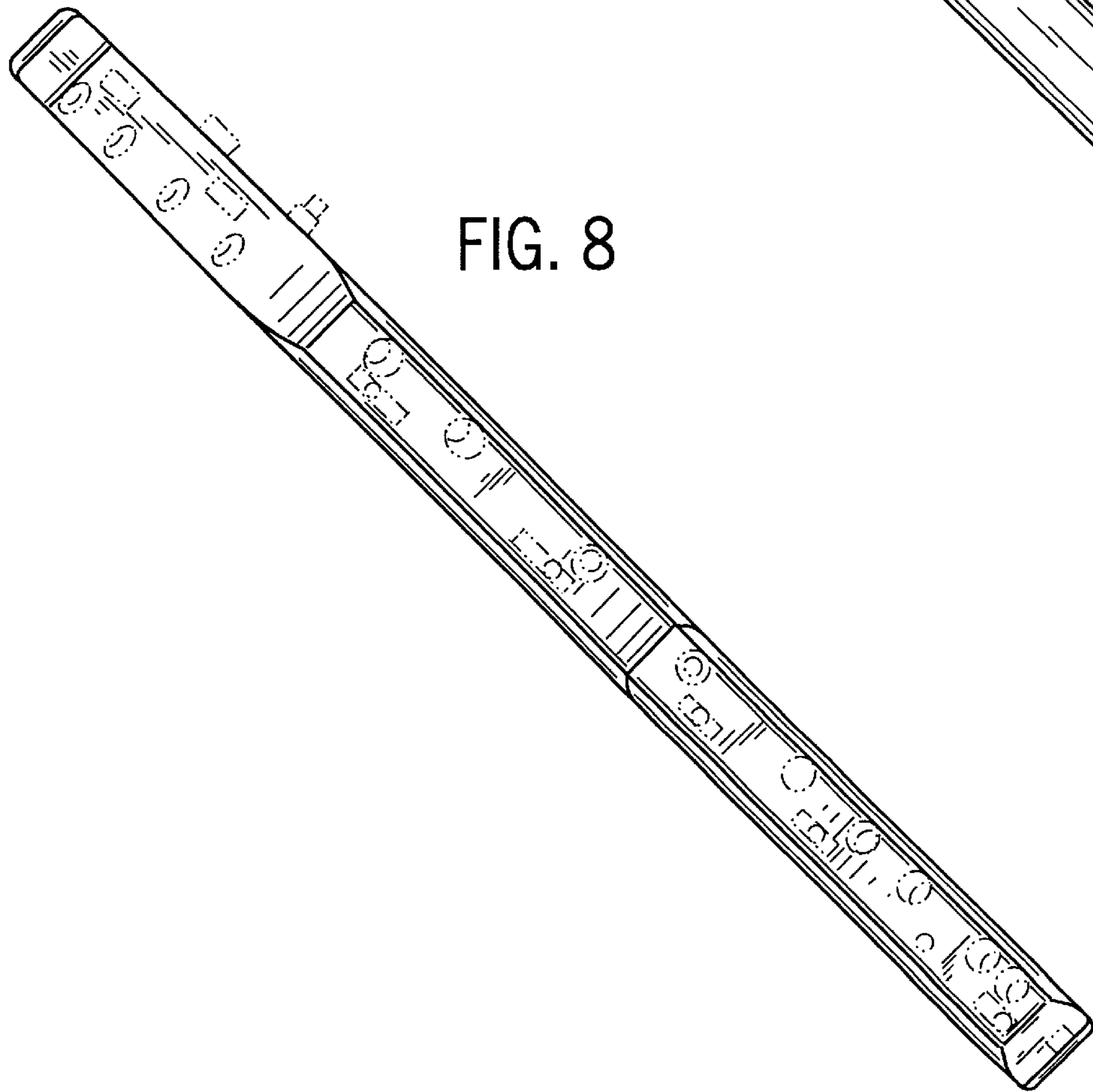


FIG. 8