



US00D442747S

(12) **United States Design Patent**
Lau

(10) **Patent No.:** **US D442,747 S**

(45) **Date of Patent:** **** May 22, 2001**

(54) **AQUARIUM LAMP**

(75) **Inventor:** **Patrick Ting-Yup Lau, Quarry Bay (CN)**

(73) **Assignee:** **Rabbit Tanaka Corporation Ltd., Hong Kong (CN)**

(**) **Term:** **14 Years**

(21) **Appl. No.:** **29/123,831**

(22) **Filed:** **May 25, 2000**

(30) **Foreign Application Priority Data**

Mar. 11, 2000 (HK) 0010298

(51) **LOC (7) Cl.** **30-02**

(52) **U.S. Cl.** **D30/106; D26/51**

(58) **Field of Search** **D30/106; D26/51, D26/58, 92-112; 119/266, 267; 362/96, 101, 267, 806**

(56) **References Cited**

U.S. PATENT DOCUMENTS

D. 292,831 * 11/1987 Kozy et al. D30/106

5,067,060 * 11/1991 Sieracki 362/101

5,649,757 * 7/1997 Aleman et al. 362/101

5,993,021 * 11/1999 Lin 362/101

* cited by examiner

Primary Examiner—Freda Nunn

Assistant Examiner—Linda Brooks

(74) *Attorney, Agent, or Firm*—Alix, Yale & Ristas, LLP

(57) **CLAIM**

The ornamental design for an aquarium lamp, as shown and described.

DESCRIPTION

FIG. 1 is a perspective view of an aquarium lamp showing my new design;

FIG. 2 is a front elevational view thereof;

FIG. 3 is a top plan view thereof;

FIG. 4 is a left side elevational view thereof;

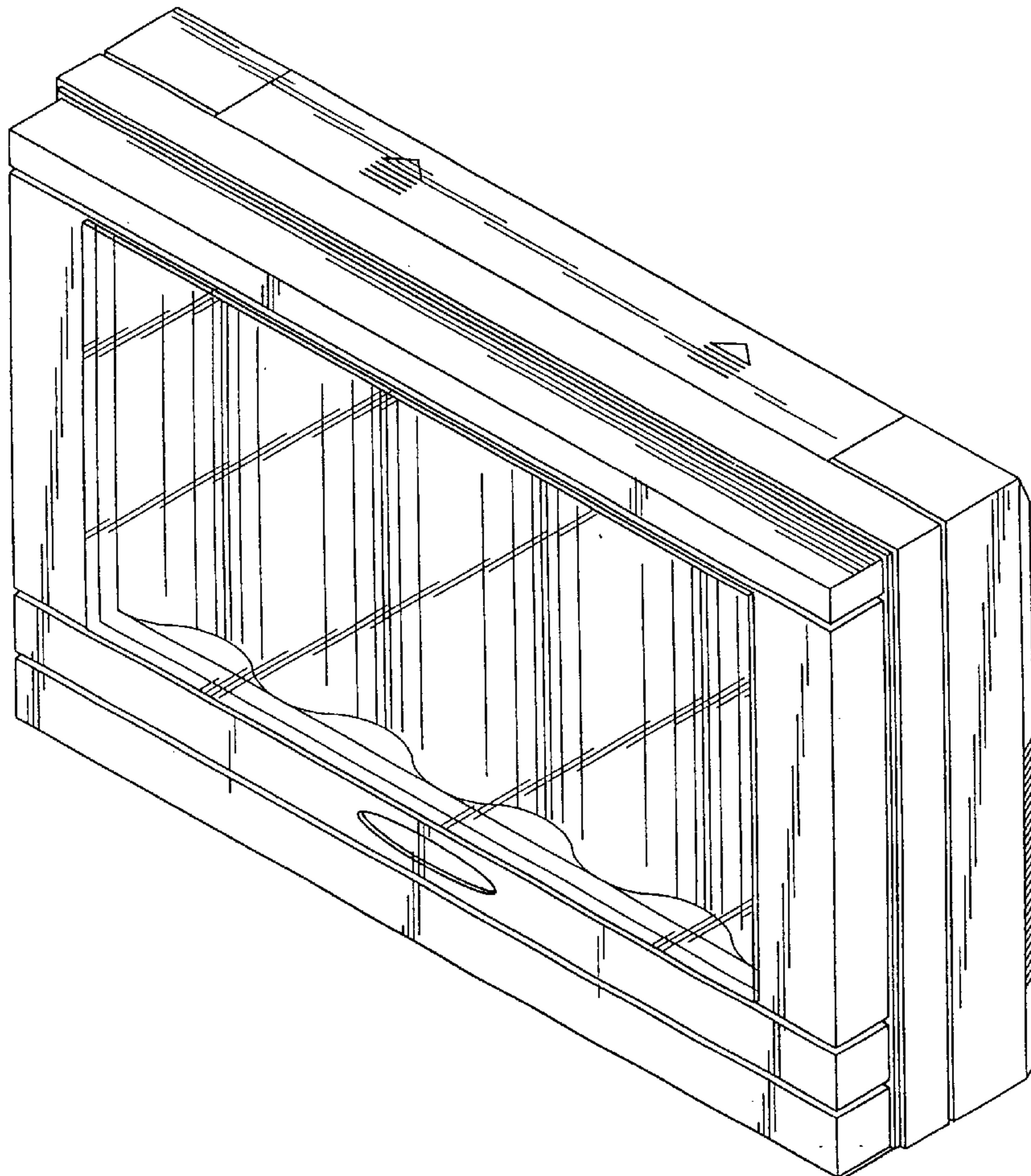
FIG. 5 is a right side elevational view thereof; and

FIG. 6 is a rear elevational view thereof; and,

FIG. 7 is a bottom plan view thereof.

Features illustrated in broken lines form no part of the claimed design.

1 Claim, 4 Drawing Sheets



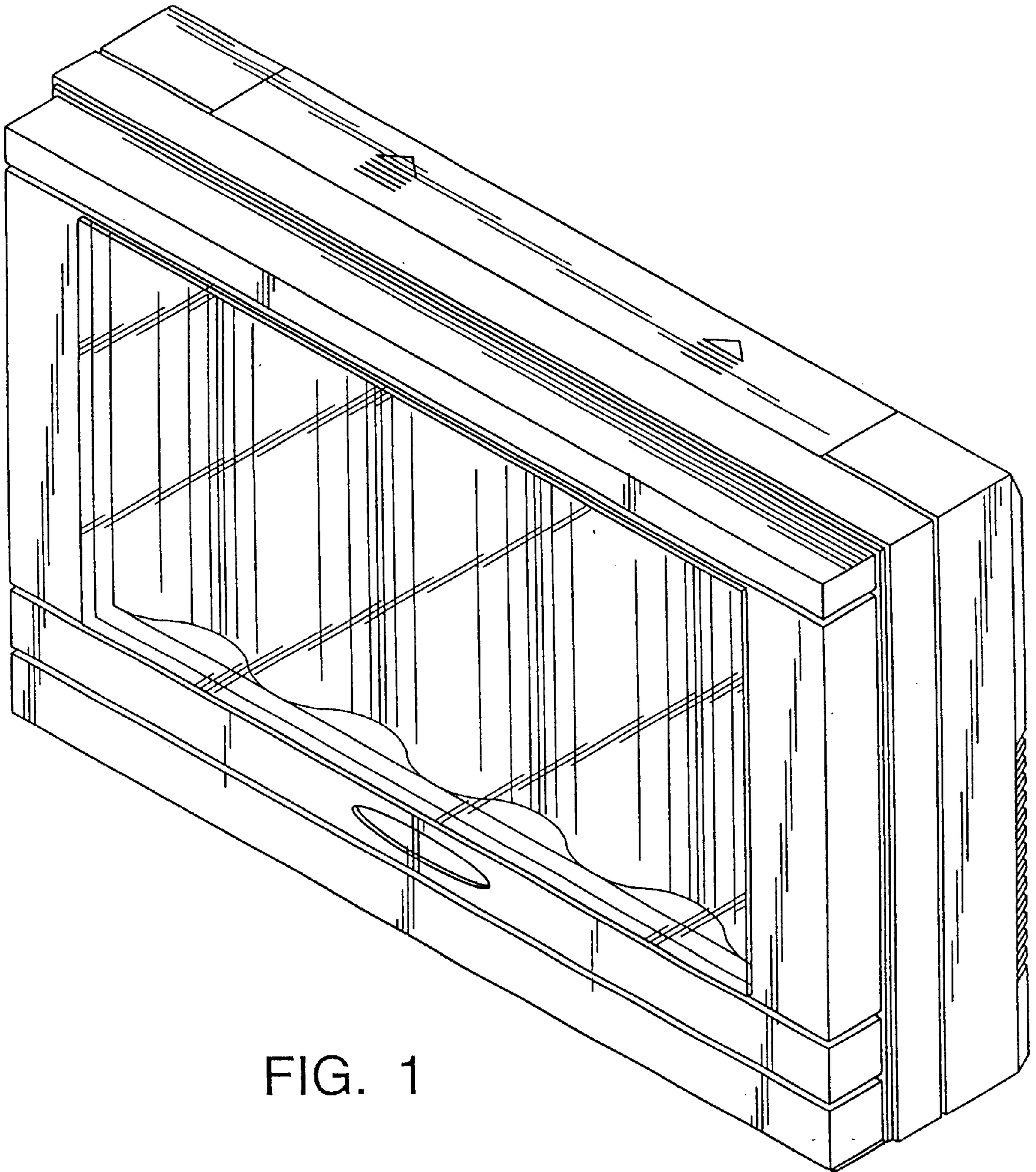


FIG. 1

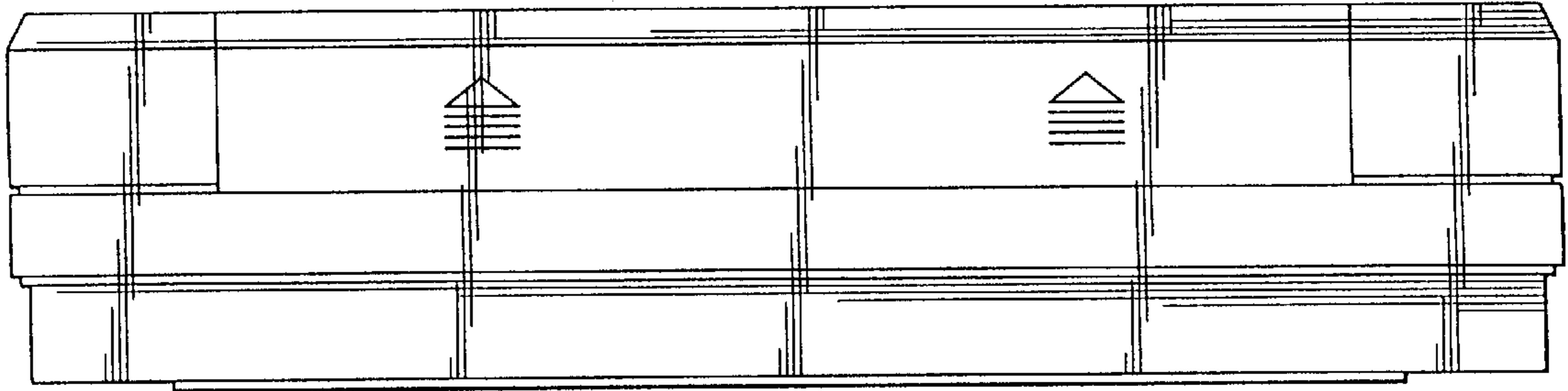


FIG. 3

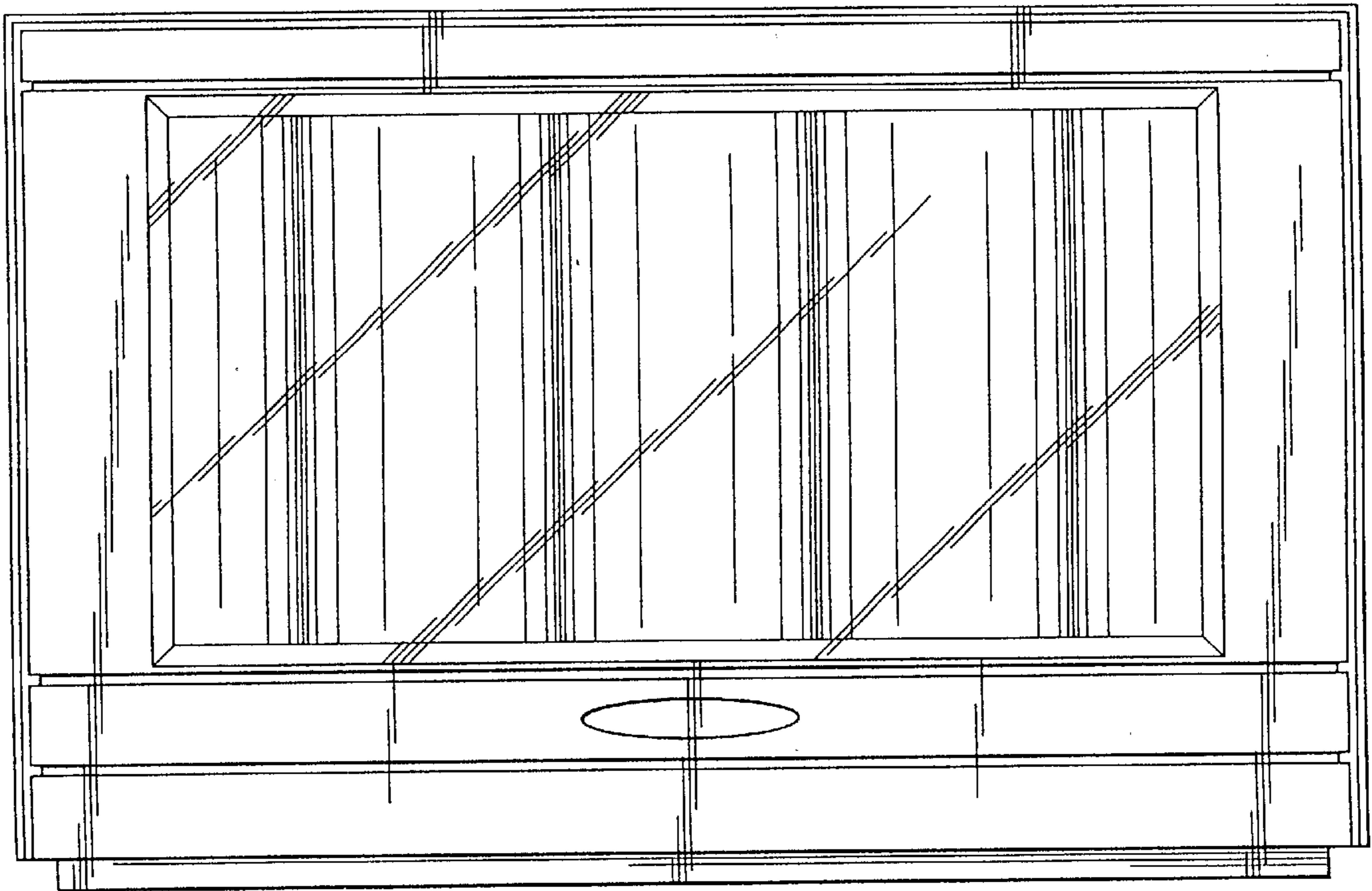


FIG. 2

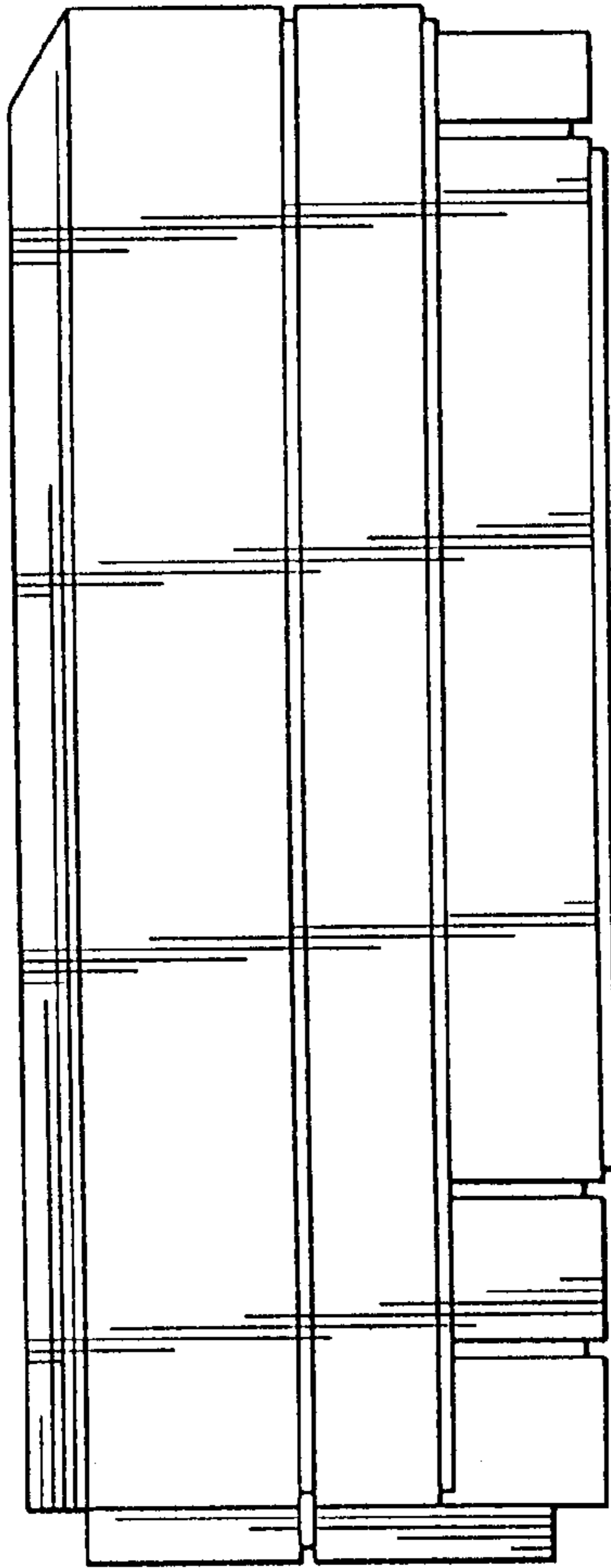


FIG. 4

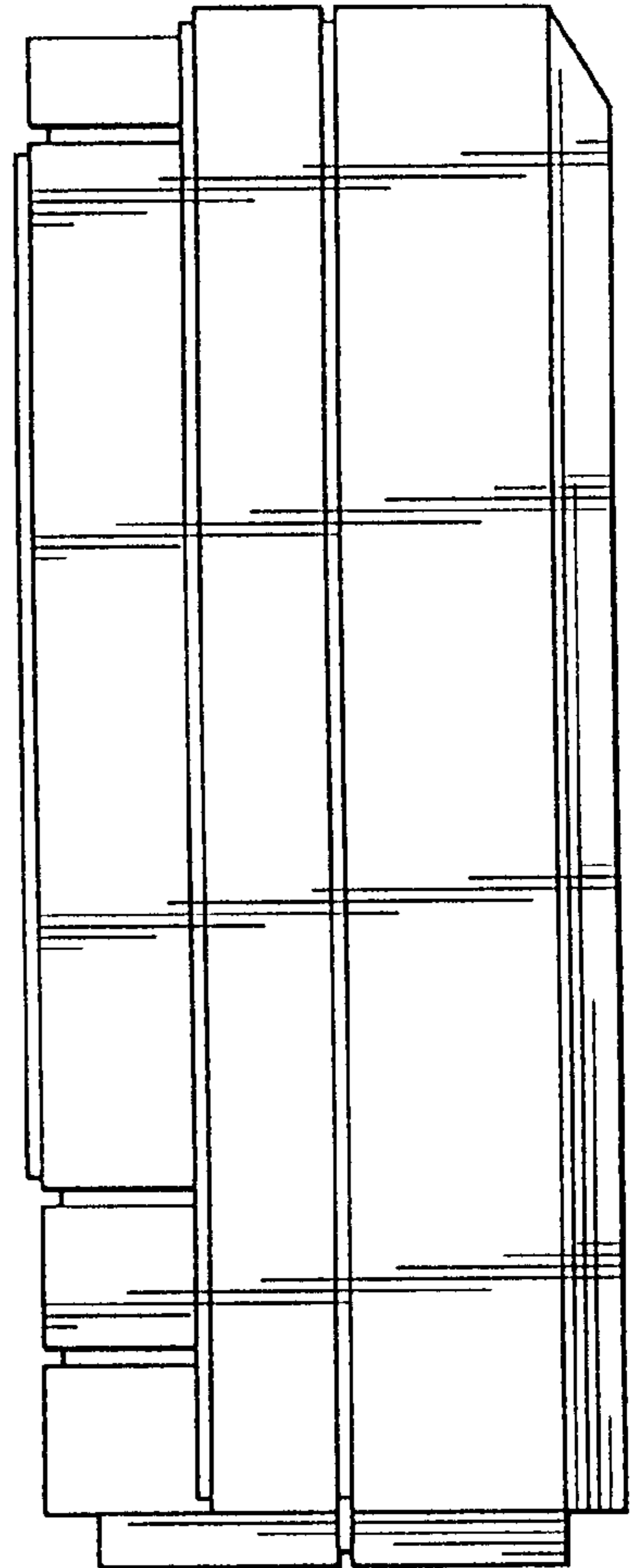


FIG. 5

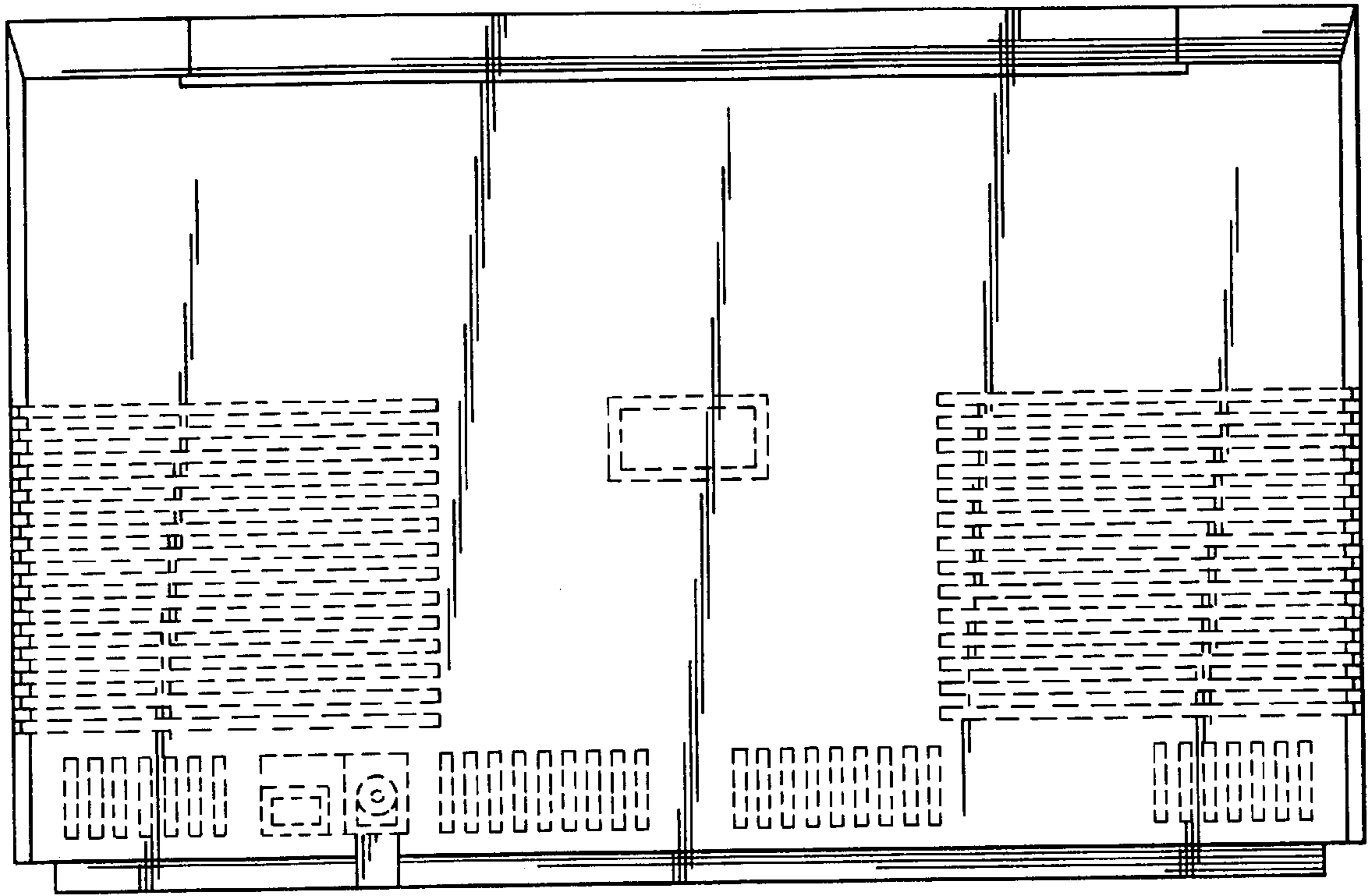


FIG. 6

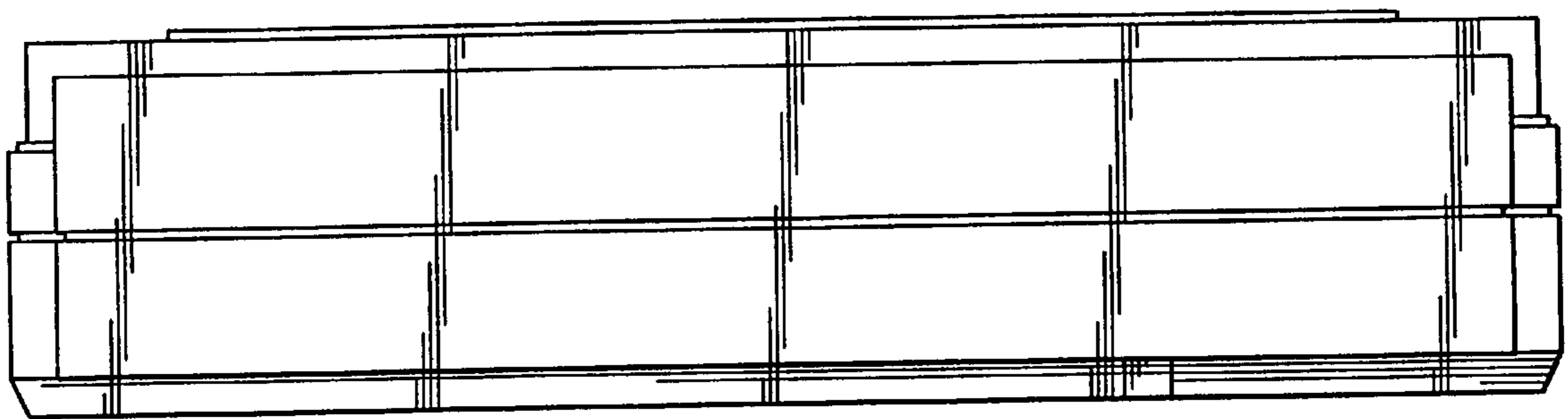


FIG. 7