



US00D442744S

(12) **United States Design Patent**  
**Goswell**

(10) **Patent No.:** **US D442,744 S**

(45) **Date of Patent:** **\*\* May 22, 2001**

(54) **COSMETIC CONTAINER WITH SLIDABLE COVER**

(75) Inventor: **Rebecca Louise Goswell**, Richmond (GB)

(73) Assignee: **HCT Limited**, Hong Kong (CN)

(\*\*) Term: **14 Years**

(21) Appl. No.: **29/131,337**

(22) Filed: **Oct. 19, 2000**

(30) **Foreign Application Priority Data**

Aug. 4, 2000 (GB) ..... 2094713

(51) **LOC (7) Cl.** ..... **28-03**

(52) **U.S. Cl.** ..... **D28/82**

(58) **Field of Search** ..... D28/76-84; D9/521;  
132/286-317; 206/235, 581, 823, 37, 38;  
220/DIG. 26

(56) **References Cited**

**U.S. PATENT DOCUMENTS**

- D. 137,032 \* 1/1944 Stertz ..... D28/82
- D. 257,263 \* 10/1980 Dauvergne ..... D28/83 X
- D. 268,618 \* 4/1983 Napolitane ..... D28/78
- D. 280,667 \* 9/1985 Bennett ..... D28/82 X
- D. 293,837 \* 1/1988 Simonetti ..... D28/83
- 2,190,273 \* 2/1940 Shapiro ..... D28/78
- 3,582,171 \* 6/1971 McArdle et al. .... D28/78 X

\* cited by examiner

*Primary Examiner*—Ted Shooman

*Assistant Examiner*—C Tuttle

(74) *Attorney, Agent, or Firm*—Norris, McLaughlin & Marcus

(57) **CLAIM**

The ornamental design for a cosmetic container with slidable cover, as shown and described.

**DESCRIPTION**

FIG. 1 is a front perspective view showing my new design with its cover in the open position;

FIG. 2 is a front elevational view showing the cover in its open position;

FIG. 3 is a rear perspective view showing the cover in its open position;

FIG. 4 is a front elevational view showing the cover in its closed position, the rear end elevational view showing the cover in its closed position being identical;

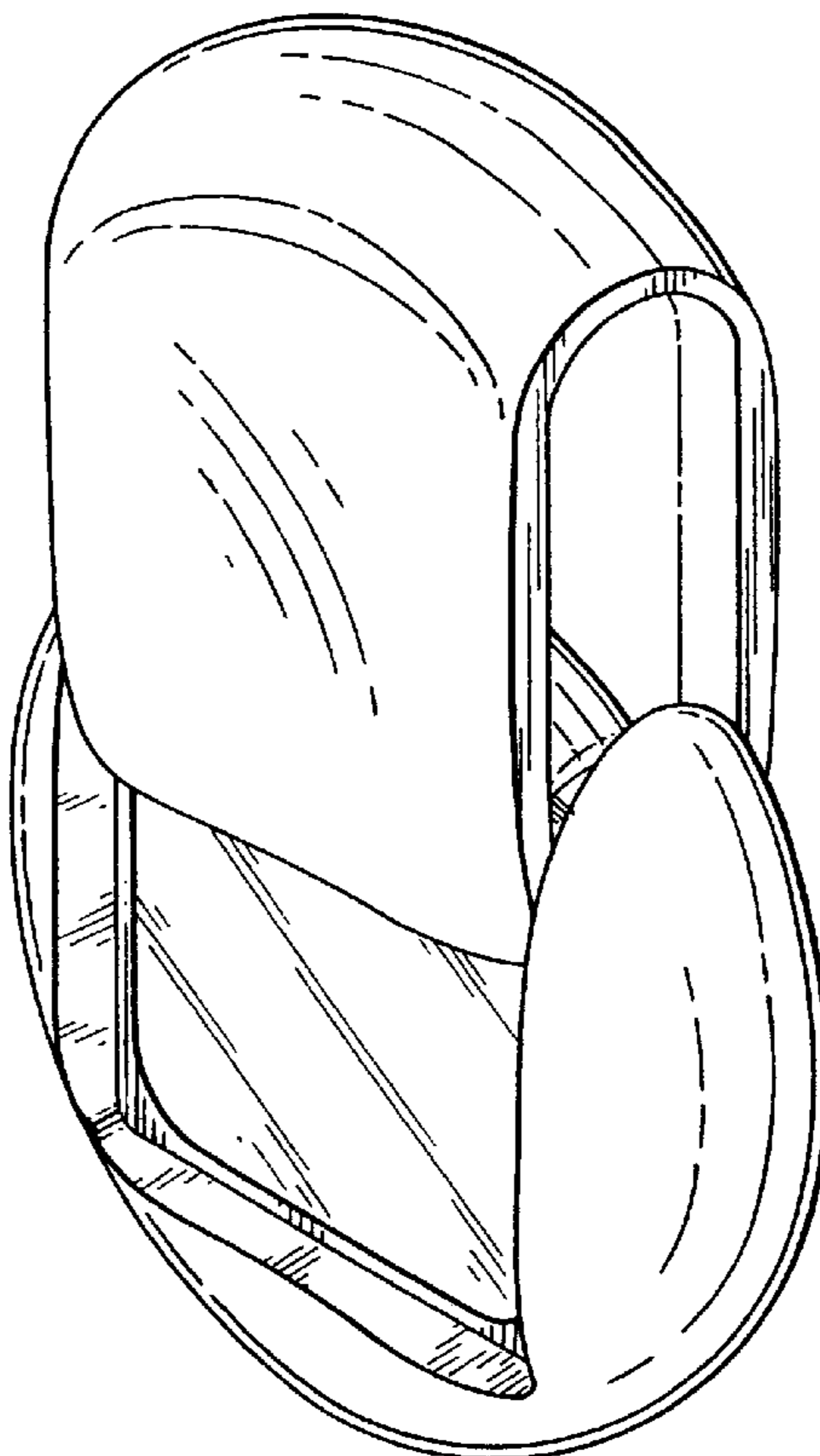
FIG. 5 is a right side elevational view showing the cover in its open position, the left side elevational view showing the cover in its open position being identical;

FIG. 6 is a right side elevational view showing the cover in its closed position, the left side elevational view showing the cover in its closed position being identical;

FIG. 7 is a top plan view; and,

FIG. 8 is a bottom plan view.

**1 Claim, 2 Drawing Sheets**



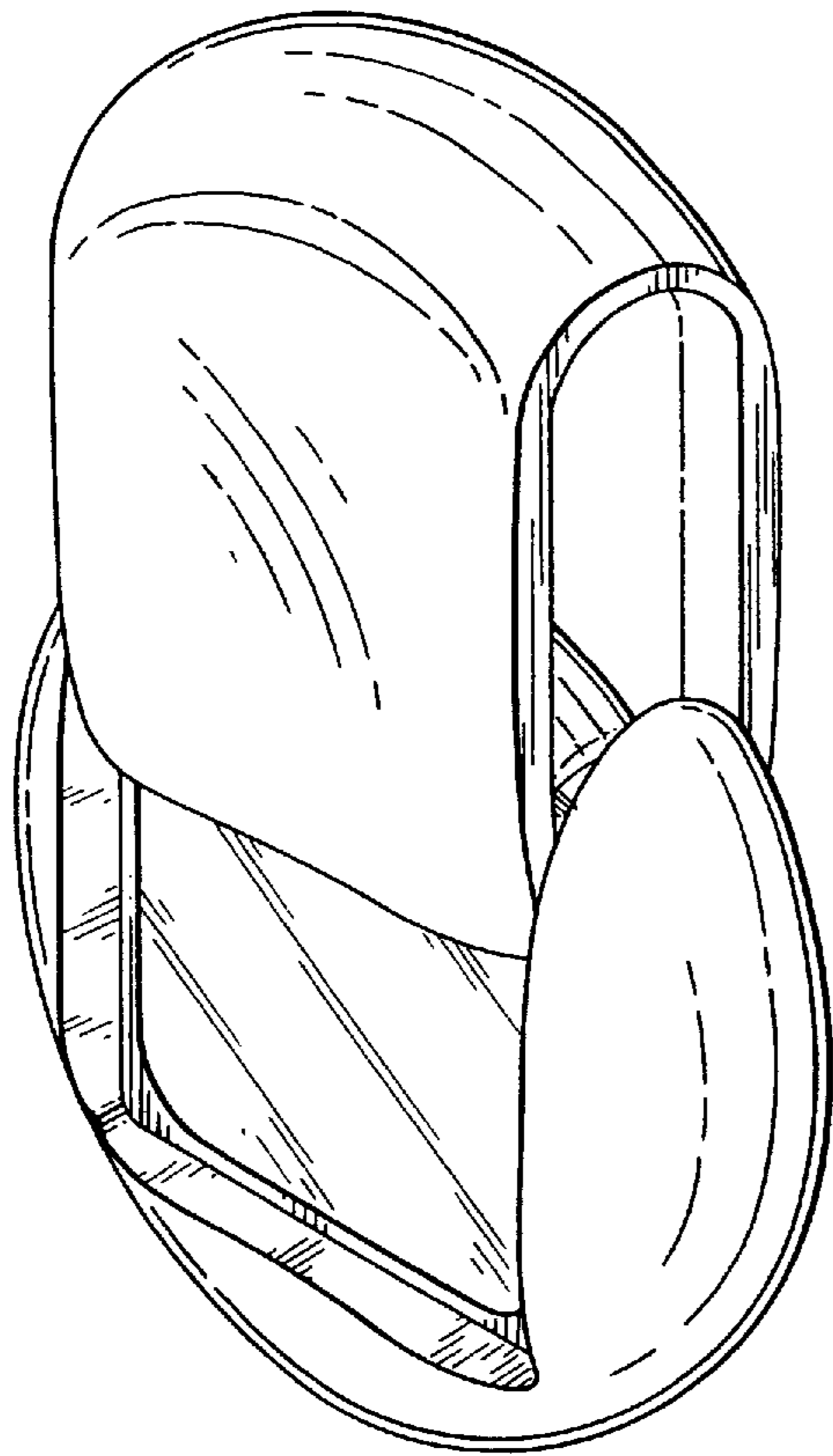


FIG. 1

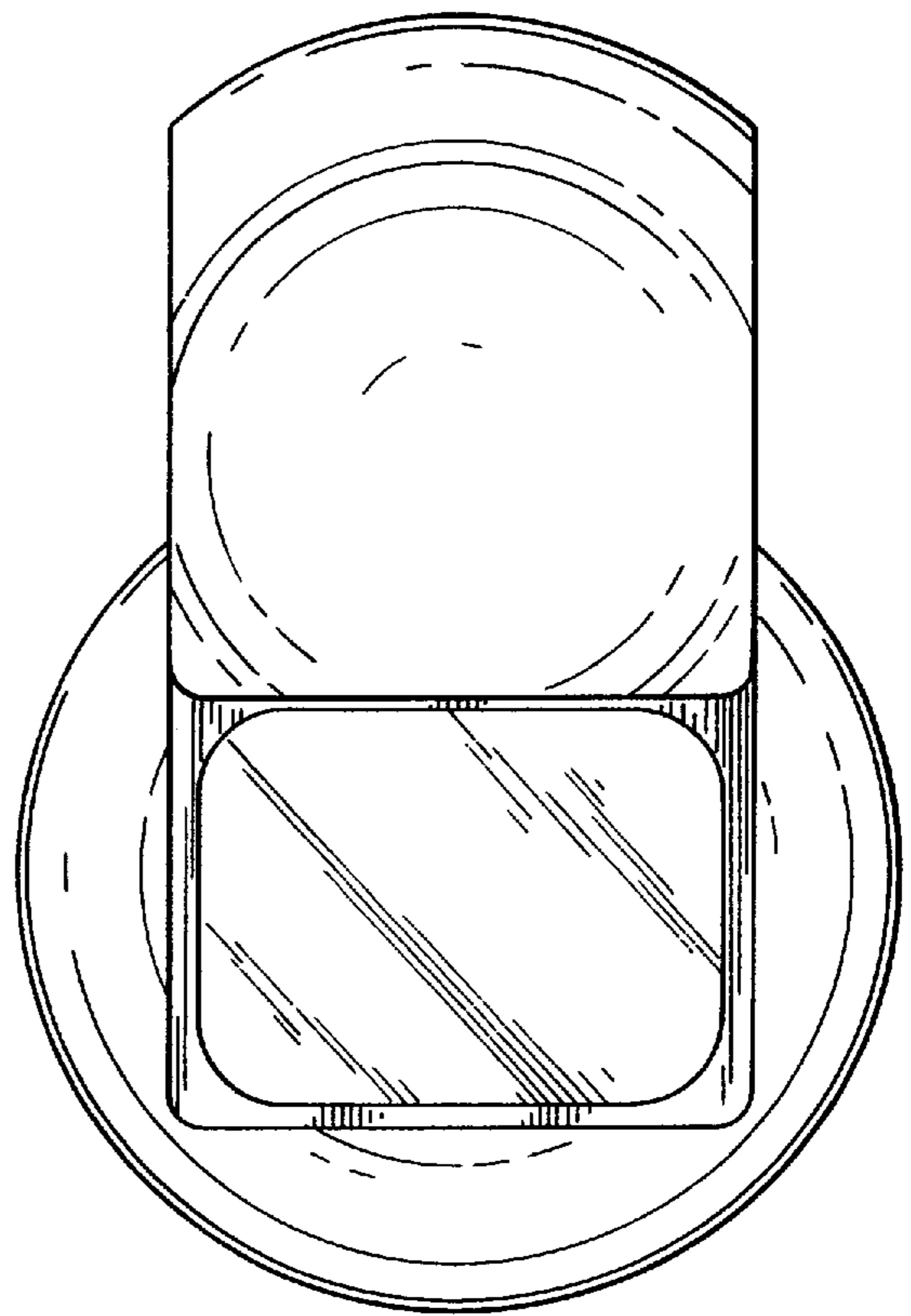


FIG. 2

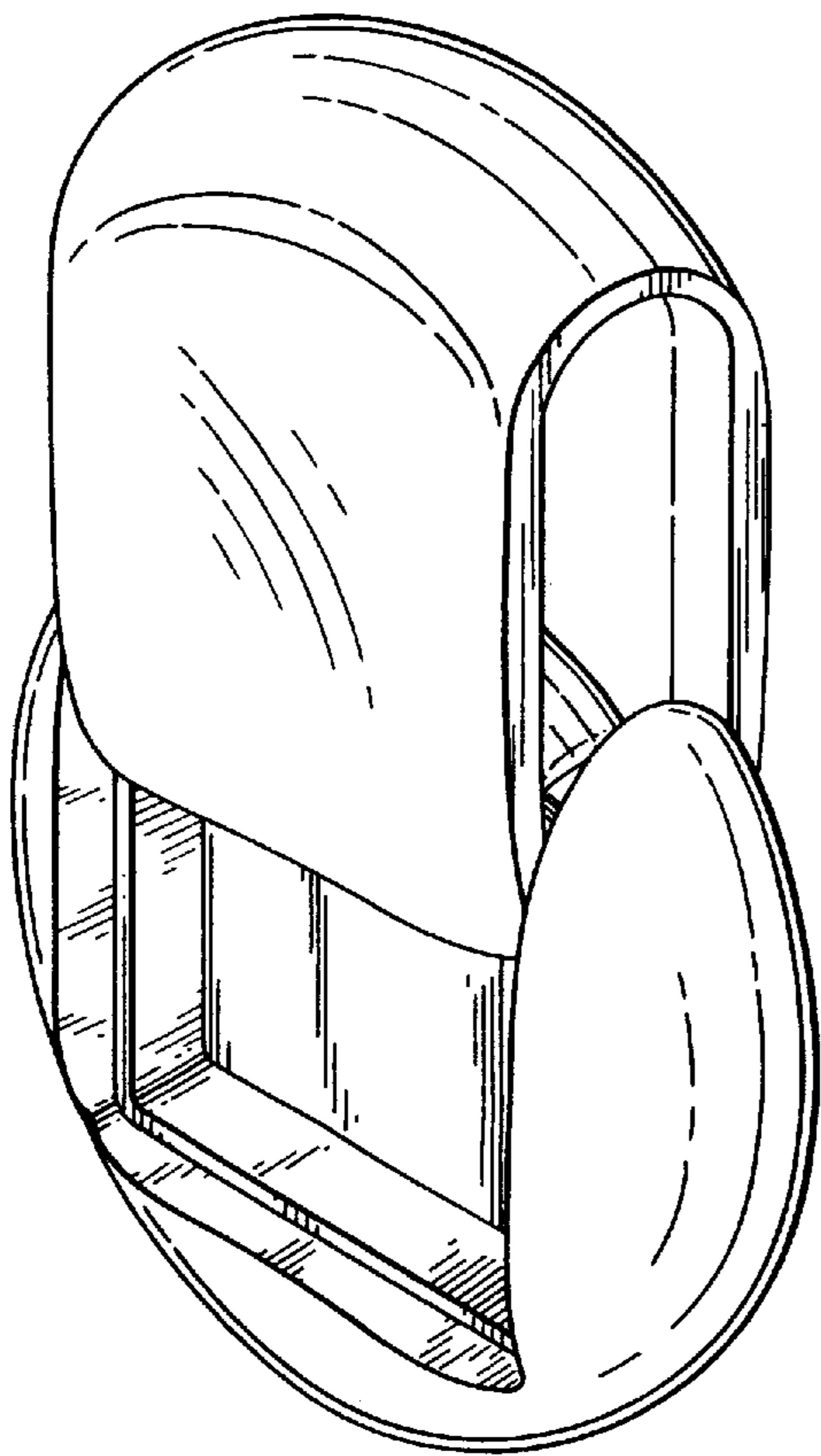


FIG. 3

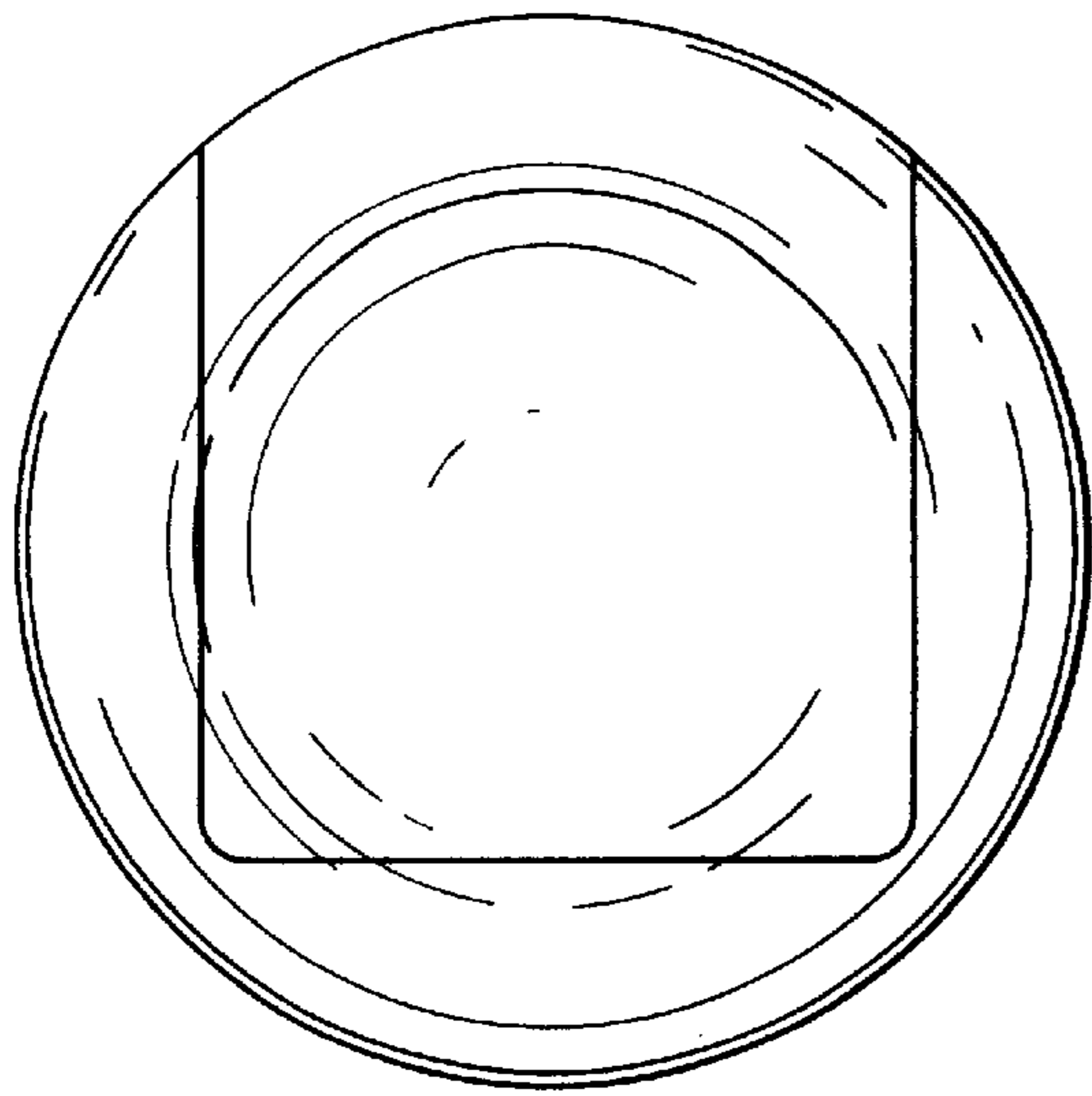


FIG. 4

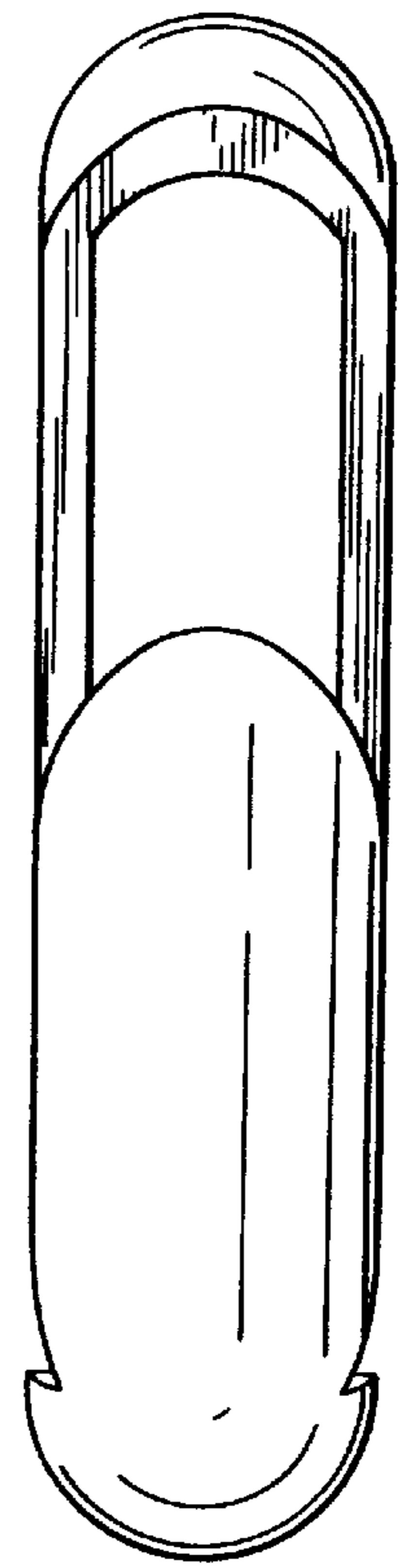


FIG. 5

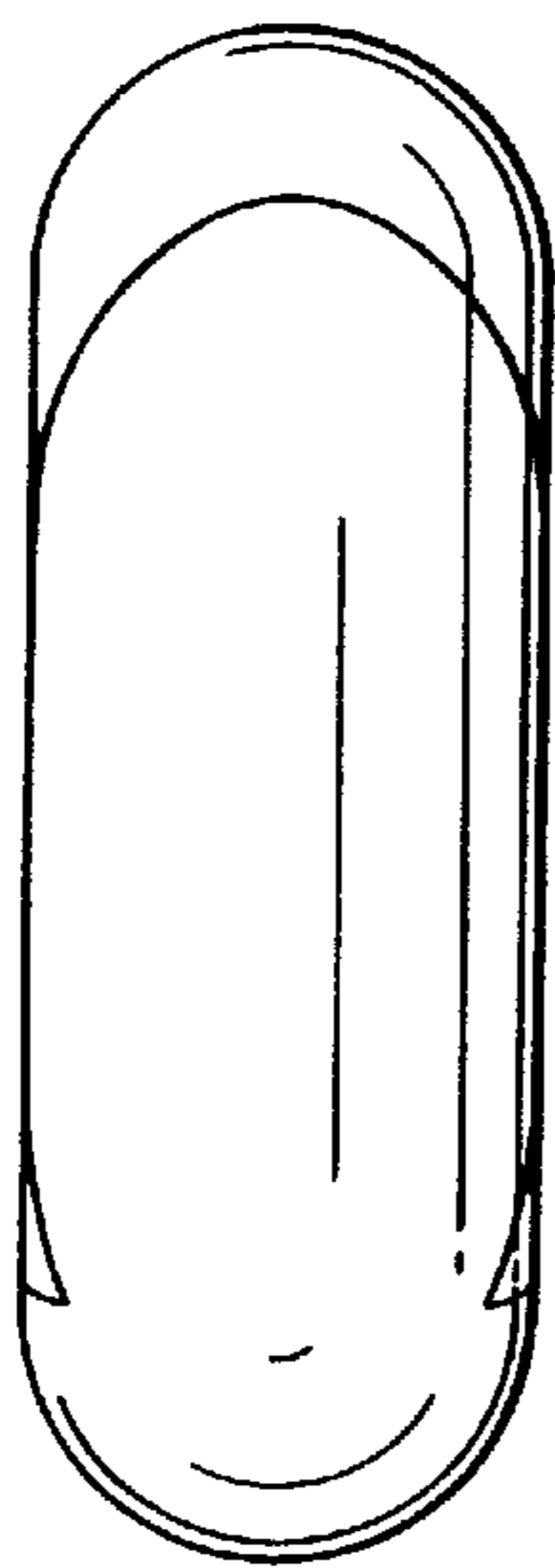


FIG. 6

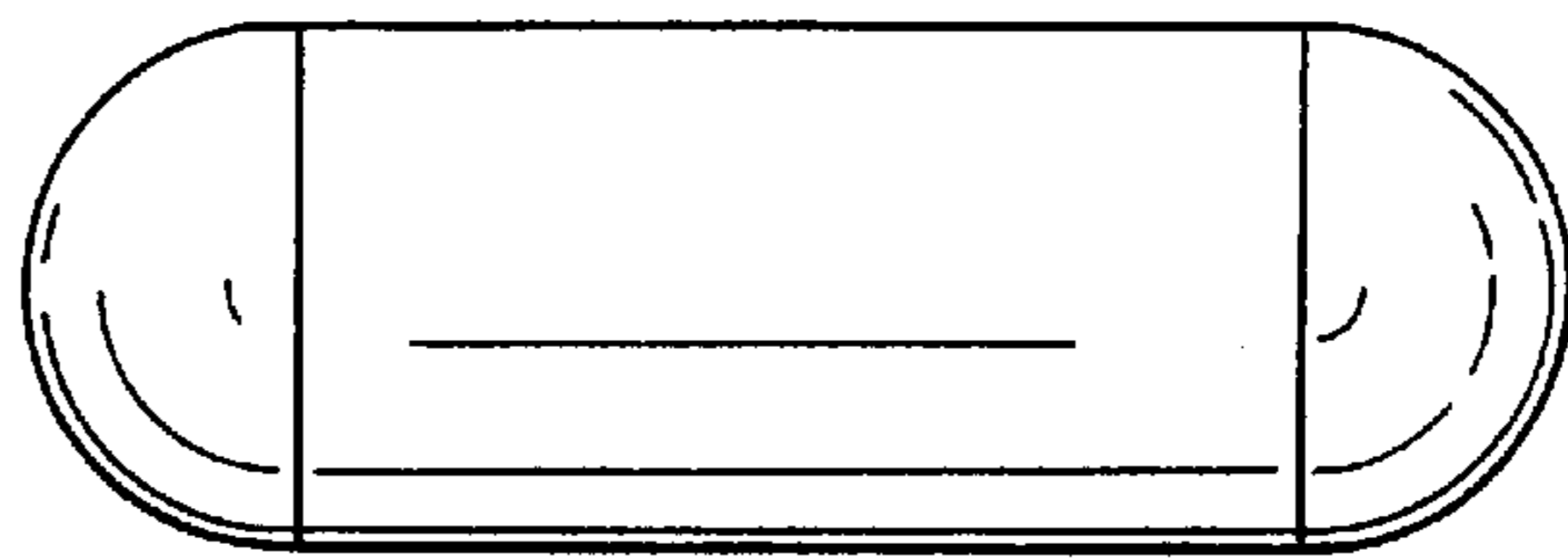


FIG. 7

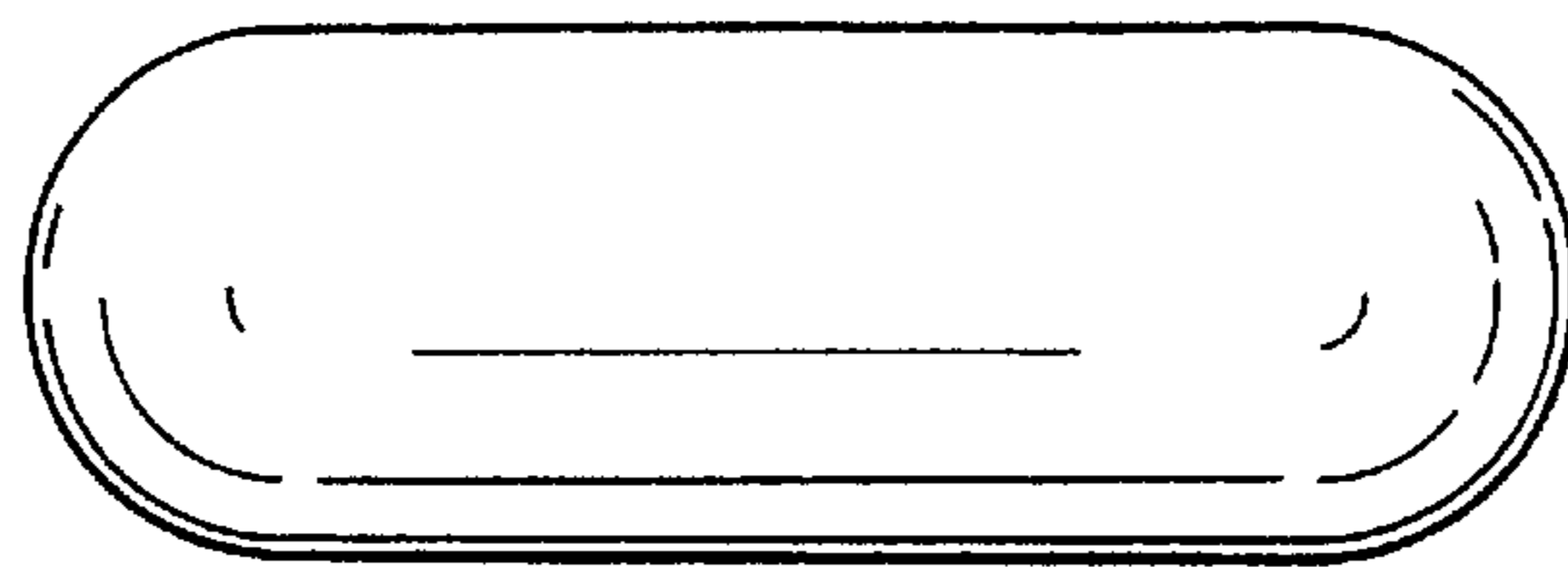


FIG. 8