



US00D442742S

(12) **United States Design Patent**
Suen

(10) **Patent No.:** **US D442,742 S**

(45) **Date of Patent:** **** May 22, 2001**

(54) **COSMETIC AND MANICURE SET**

1,591,515 * 7/1926 Diskin 132/315

(75) Inventor: **Chi Ming Suen, Kowloon (HK)**

* cited by examiner

(73) Assignee: **Tohkai Precision Industrial Limited, Kowloon (HK)**

Primary Examiner—Paula A. Mortimer

(74) *Attorney, Agent, or Firm*—Salter & Michaelson

(**) Term: **14 Years**

(57) **CLAIM**

(21) Appl. No.: **29/127,951**

The ornamental design for a cosmetic and manicure set, as shown and described.

(22) Filed: **Aug. 15, 2000**

DESCRIPTION

(51) **LOC (7) Cl.** **28-03**

FIG. 1 is a perspective view of a cosmetic and manicure set showing my new design;

(52) **U.S. Cl.** **D28/61**

FIG. 2 is a front elevational view thereof;

(58) **Field of Search** D28/61, 62, 56, D28/83; D3/272, 273, 276, 275, 281, 282, 294, 901; 206/229, 372, 375, 349, 379, 581; 190/110, 111, 112; 132/286, 315, 316

FIG. 3 is a rear elevational view thereof;

FIG. 4 is a left side elevational view thereof;

FIG. 5 is a right side elevational view thereof;

FIG. 6 is a top plan view thereof;

FIG. 7 is a bottom plan view thereof; and,

FIG. 8 is a perspective view with the top cover in an open position.

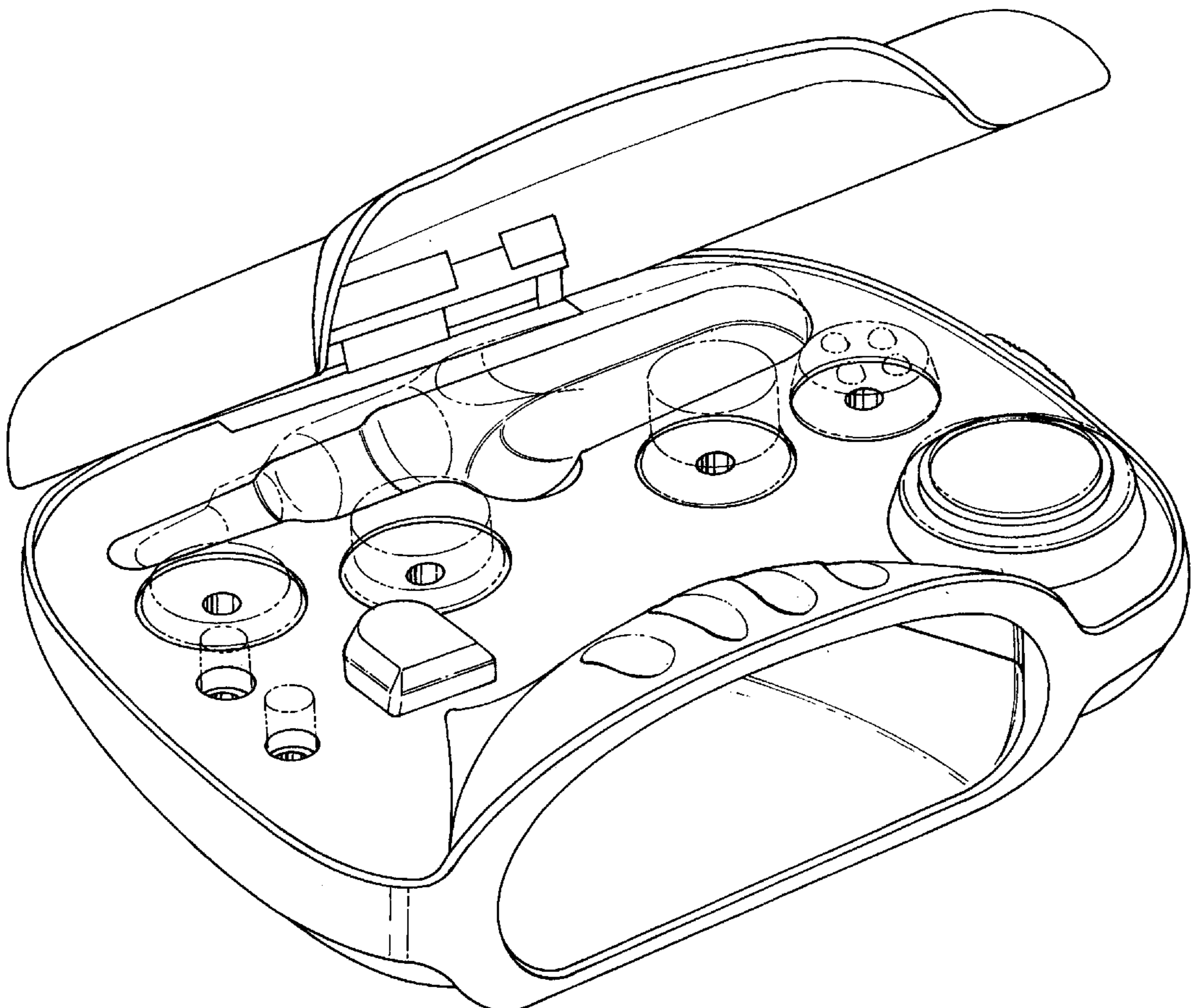
(56) **References Cited**

U.S. PATENT DOCUMENTS

- D. 180,706 * 7/1957 Bourdon D3/275
- D. 229,116 * 11/1973 Ishii D28/61
- D. 428,699 * 8/2000 Gibson et al. D3/282
- D. 430,356 * 8/2000 Hubbs D28/61

The portions shown in broken lines are included for illustrative purposes only and form no part of the claimed design.

1 Claim, 6 Drawing Sheets



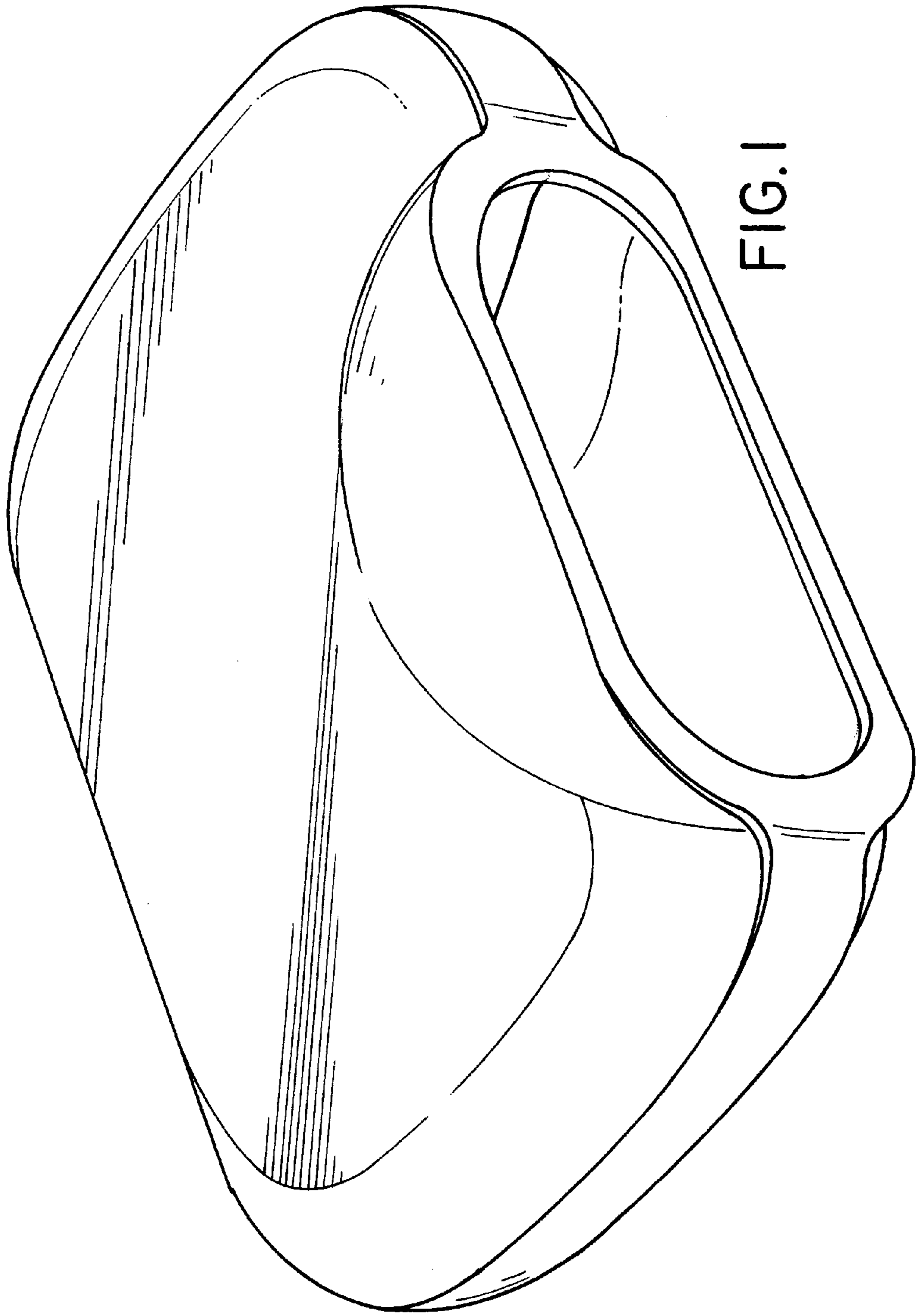


FIG. 1

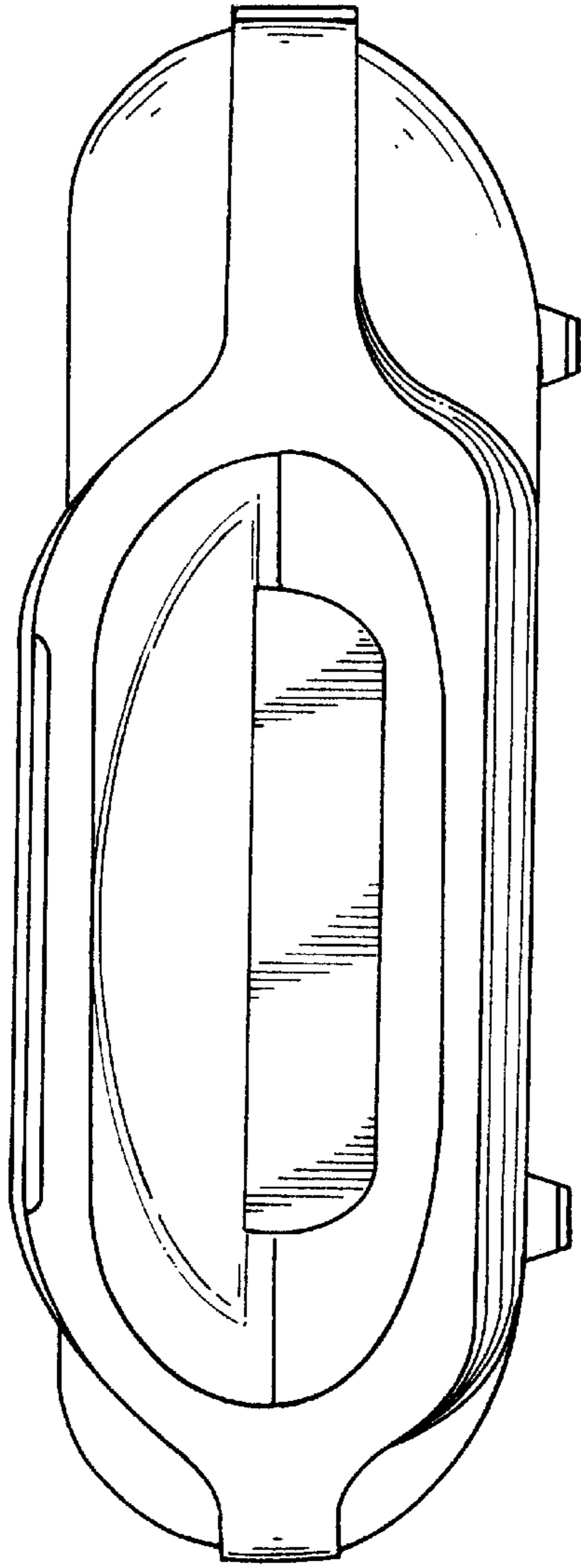


FIG. 2

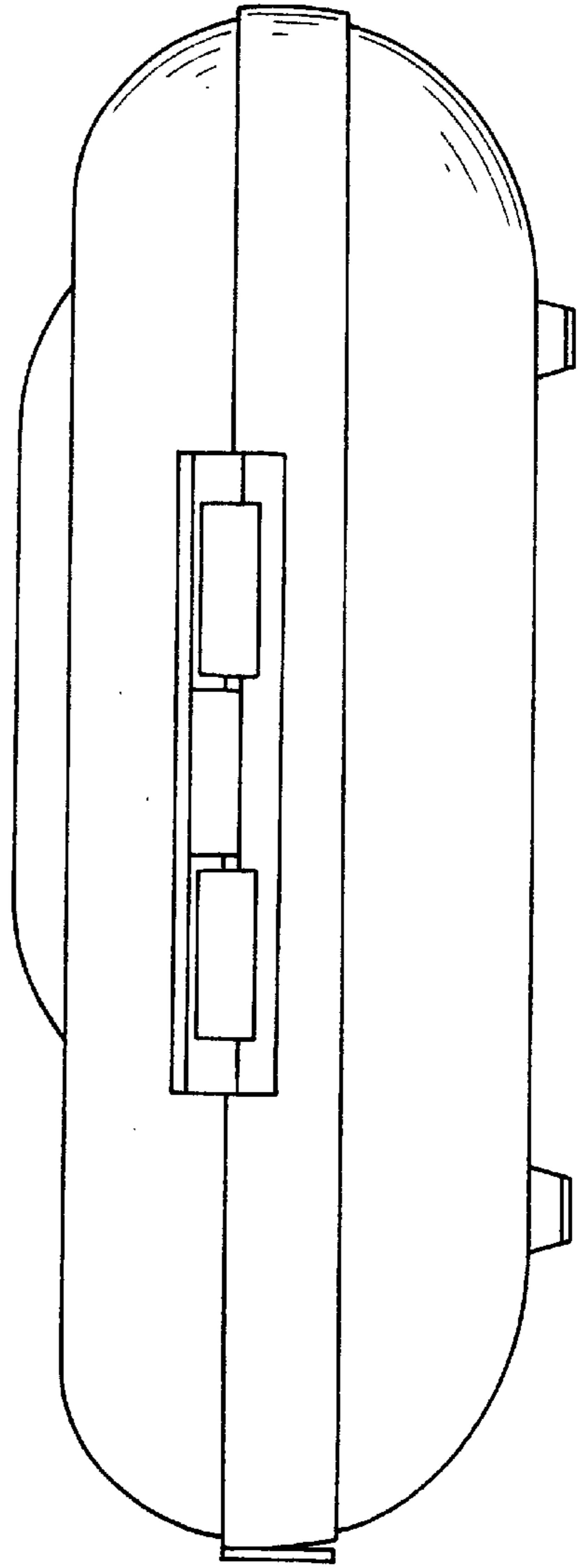


FIG. 3

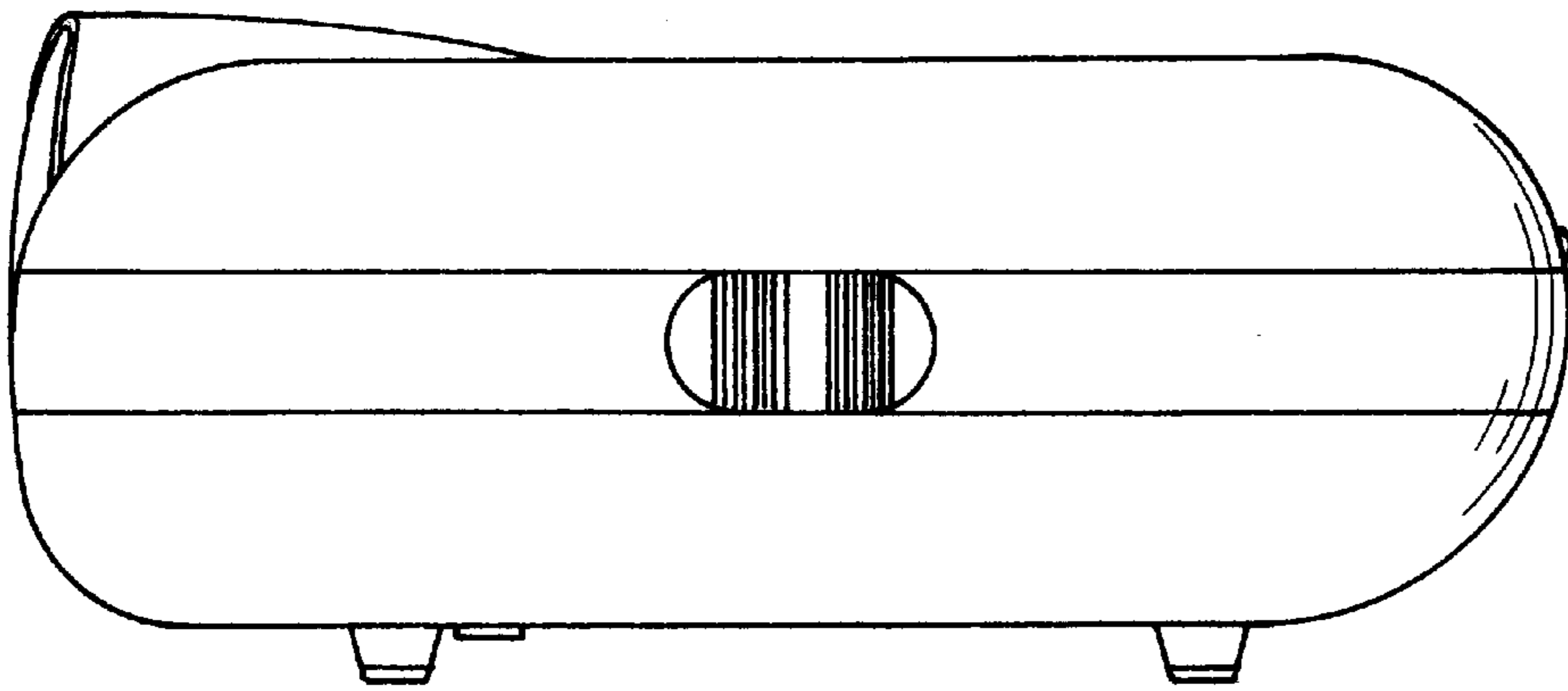


FIG. 4

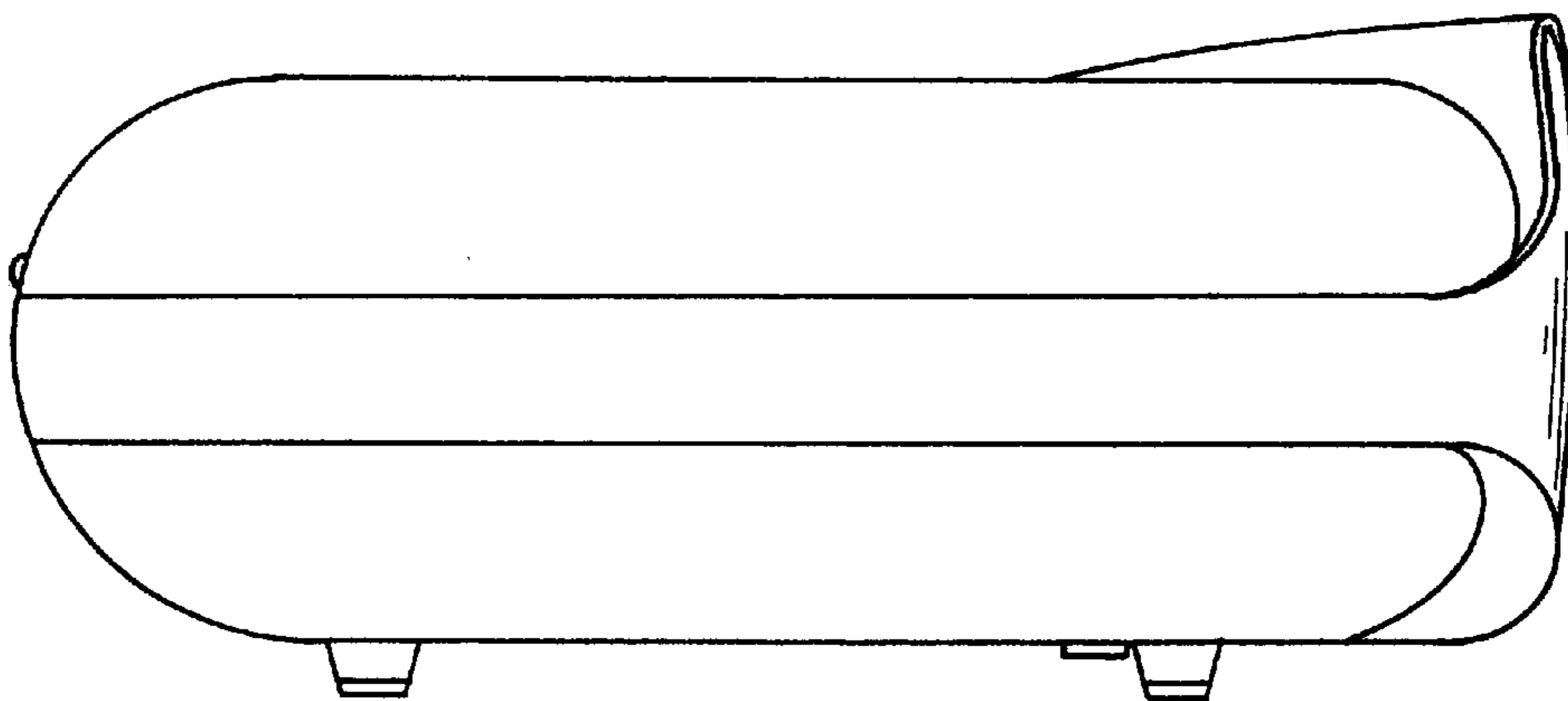


FIG. 5

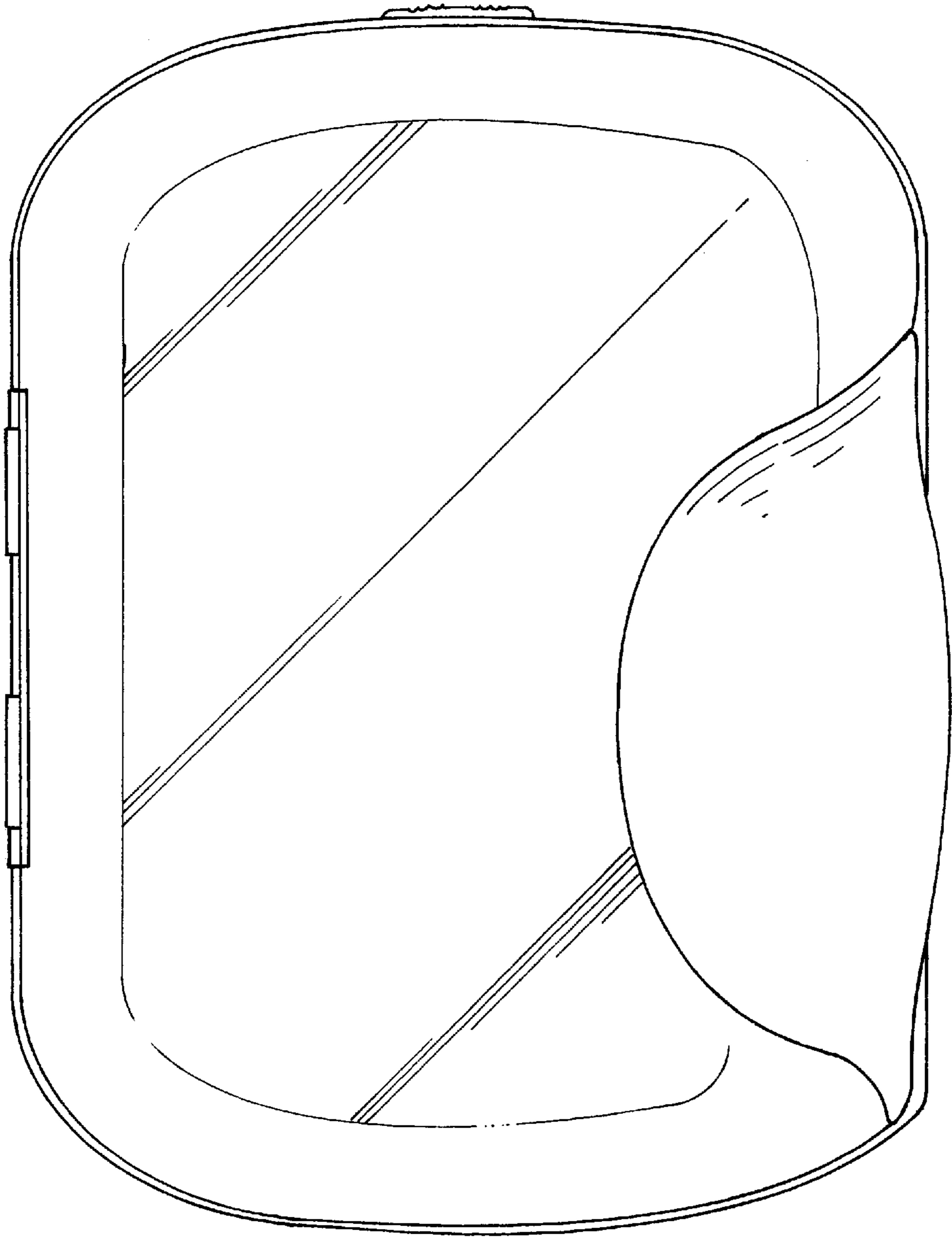


FIG. 6

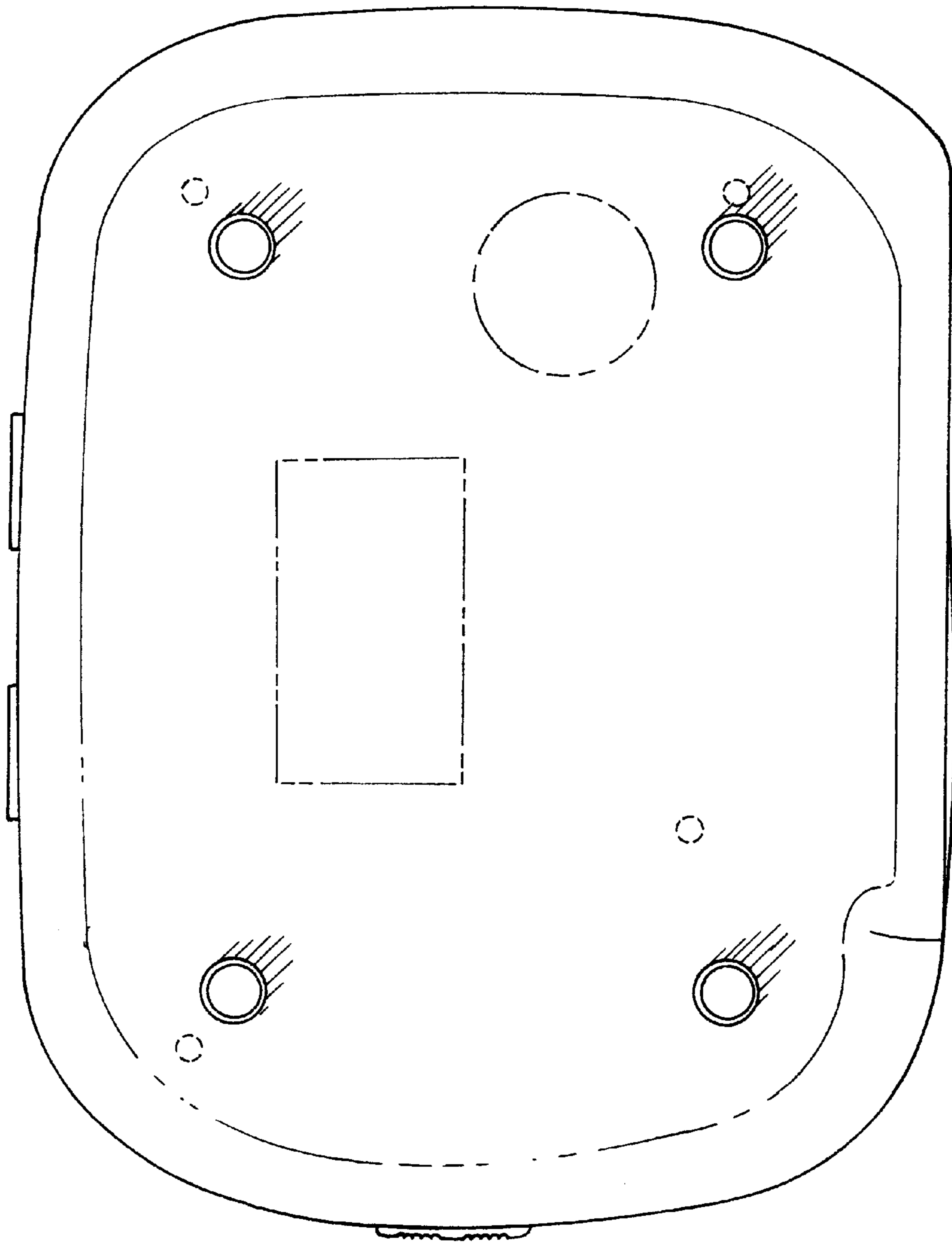


FIG. 7

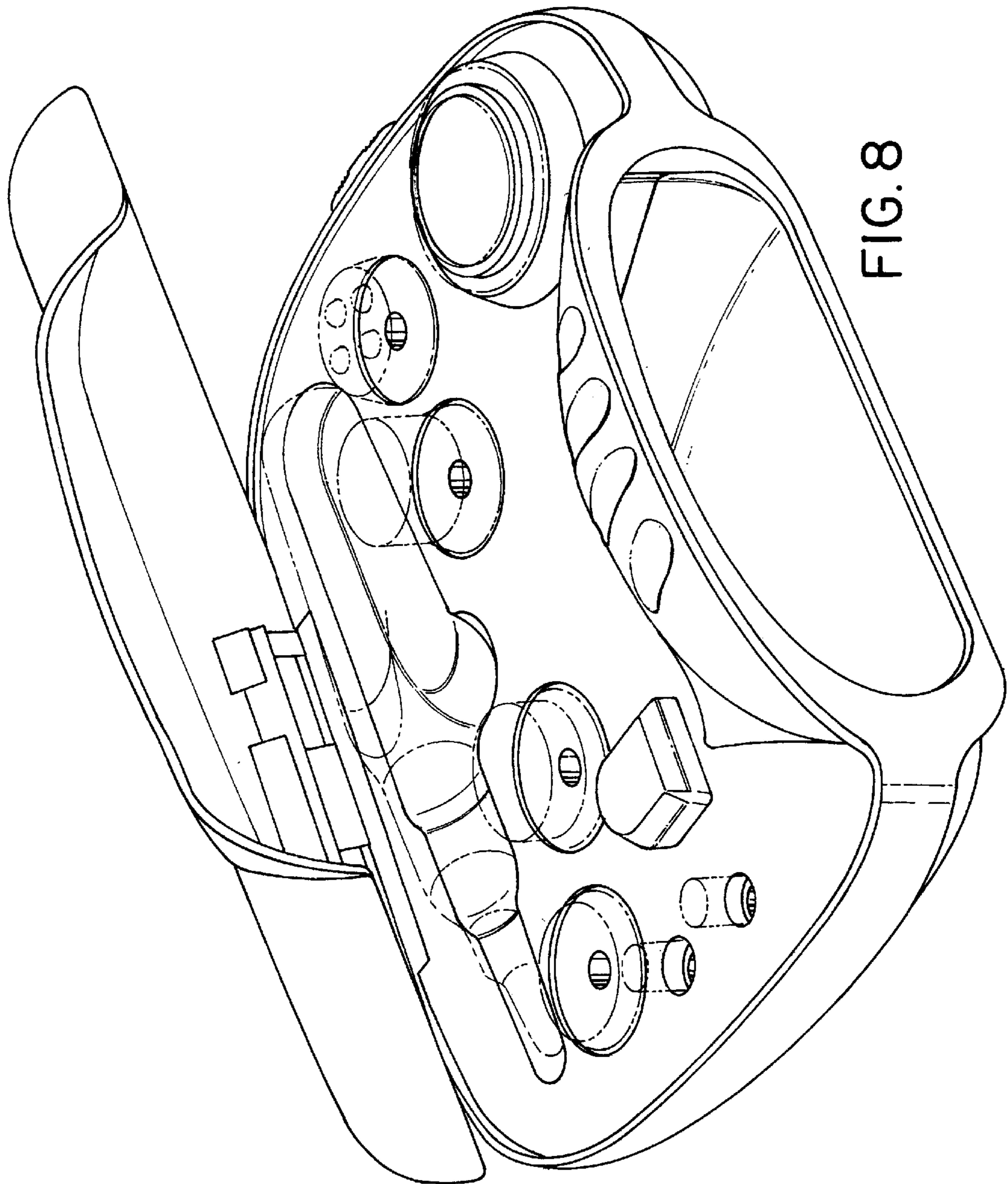


FIG. 8