



US00D442740S

(12) **United States Design Patent**  
**Wolfe**

(10) **Patent No.:** **US D442,740 S**

(45) **Date of Patent:** **\*\* May 22, 2001**

(54) **BLOWER HANDLE**

(75) **Inventor:** **Kevin Andrew Wolfe**, Mount Vernon,  
WA (US)

(73) **Assignee:** **Dri-Eaz Products, Inc.**, Burlington,  
WA (US)

(\*\*) **Term:** **14 Years**

(21) **Appl. No.:** **29/119,172**

(22) **Filed:** **Feb. 24, 2000**

(51) **LOC (7) Cl.** ..... **28-03**

(52) **U.S. Cl.** ..... **D28/13**

(58) **Field of Search** ..... D28/13, 14, 15,  
D28/16, 17, 18; 34/97, 98, 99, 100, 101,  
96; 392/383, 384, 385; D30/158; 119/606;  
D8/29.1

(56) **References Cited**

**U.S. PATENT DOCUMENTS**

- D. 258,014 \* 1/1981 Lam ..... D28/13
- D. 276,941 \* 12/1984 Stansbury, Jr. .... D28/13
- D. 283,259 \* 4/1986 Stansbury, Jr. .... D28/13

- D. 350,414 \* 9/1994 Rizzuto, Jr. .... D28/13
- D. 375,577 \* 11/1996 Viemeister et al. .... D28/13
- D. 407,847 \* 4/1999 Gudfin ..... D28/13
- 4,198,556 \* 4/1980 Crowley et al. .... 392/384

\* cited by examiner

*Primary Examiner*—Paula A. Mortimer

(74) *Attorney, Agent, or Firm*—Michael R. Schacht;  
Hughes & Schacht, PLLC

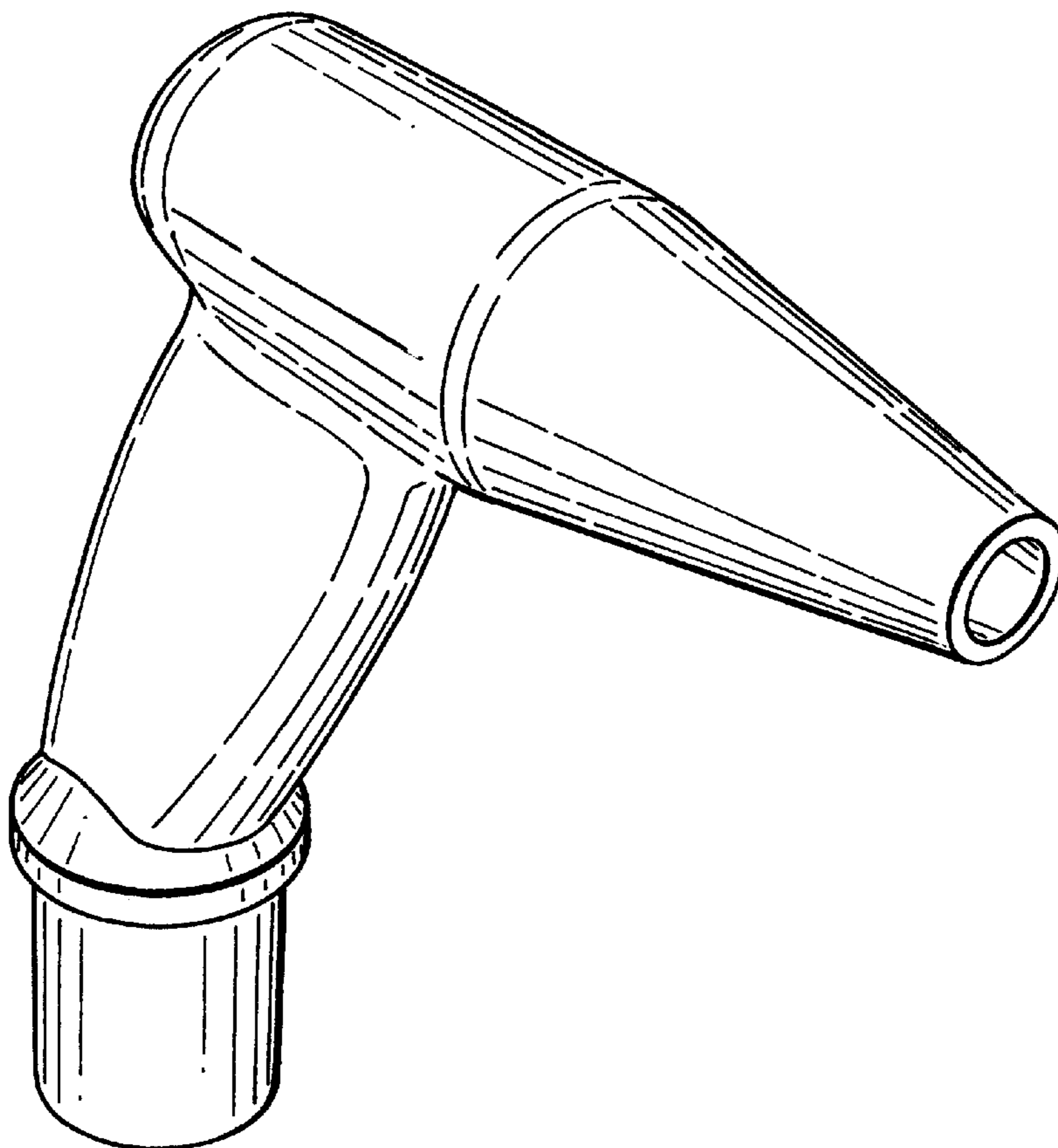
(57) **CLAIM**

The ornamental design for a blower handle, as shown and described.

**DESCRIPTION**

FIG. 1 is an isometric view of the blower handle of the present invention;  
 FIG. 2 is a side elevational view of the blower handle of FIG. 1, the opposite side view being a mirror image thereof;  
 FIG. 3 is a first end view of the blower handle of FIG. 1;  
 FIG. 4 is a second end view of the blower handle of FIG. 1;  
 FIG. 5 is a top plan view of the blower handle of FIG. 1; and,  
 FIG. 6 is a bottom plan view of the blower handle of FIG. 1.

**1 Claim, 2 Drawing Sheets**



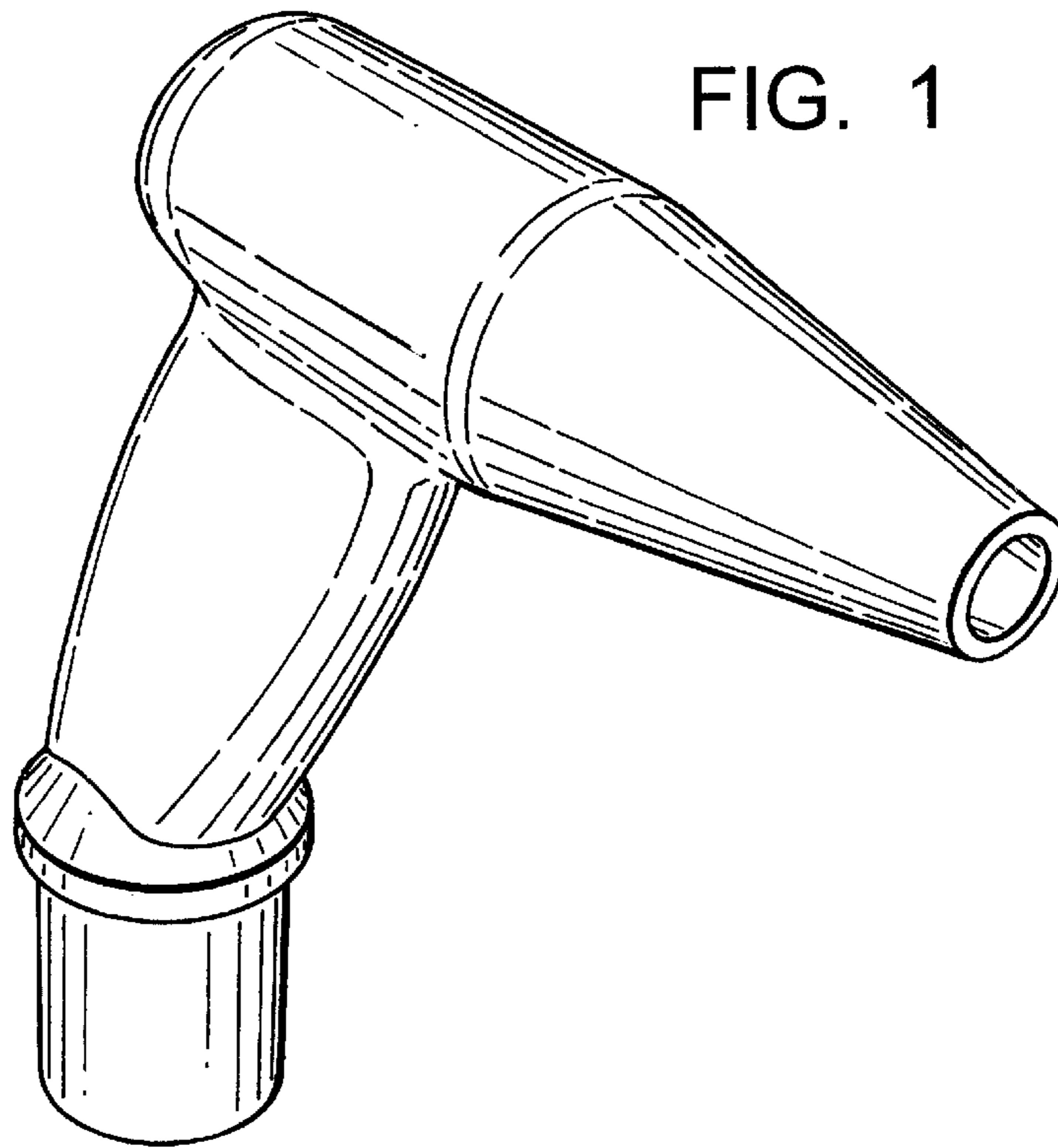


FIG. 1

FIG. 2

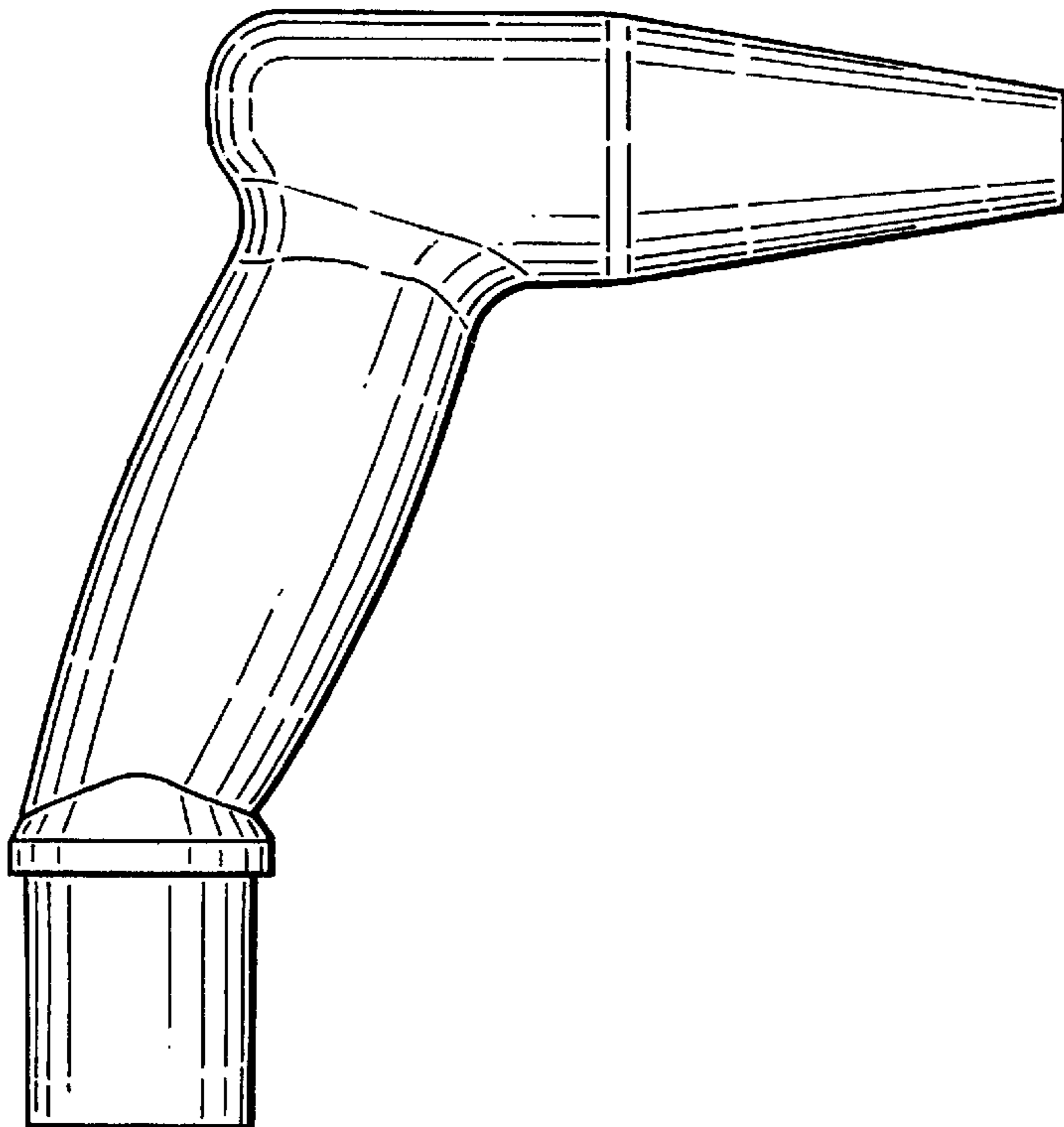


FIG. 3

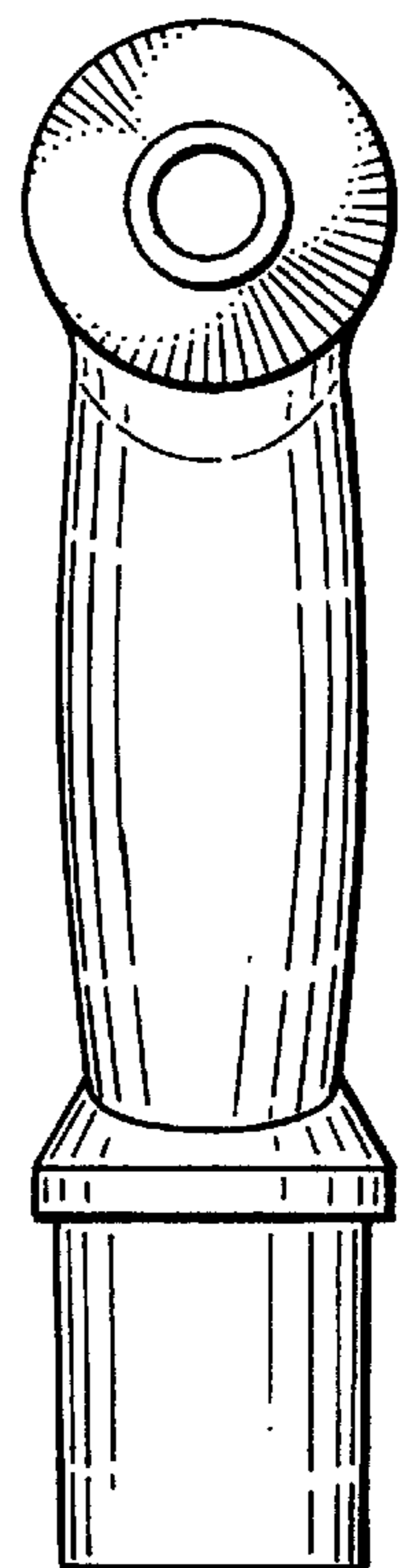


FIG. 4

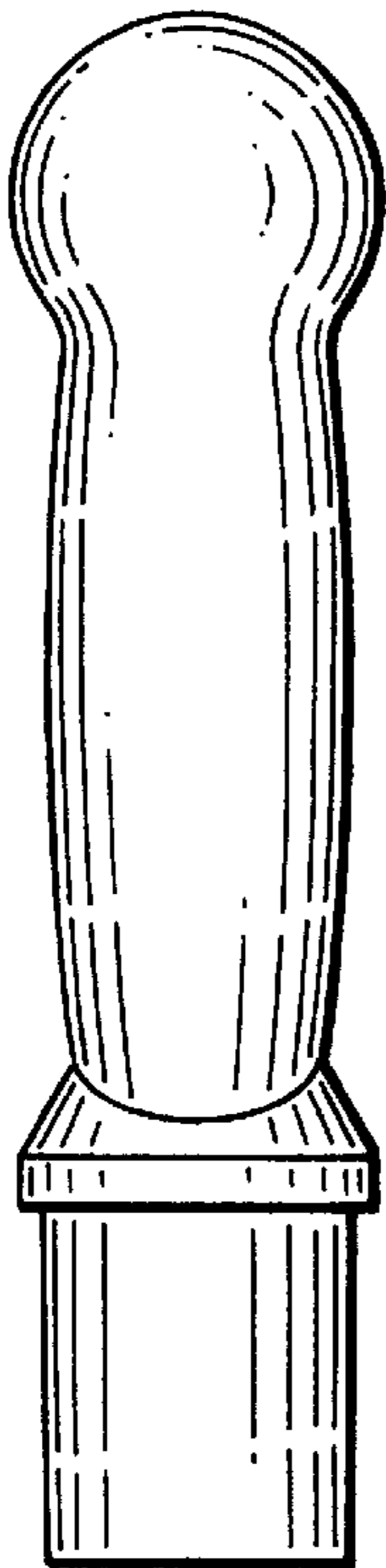


FIG. 5

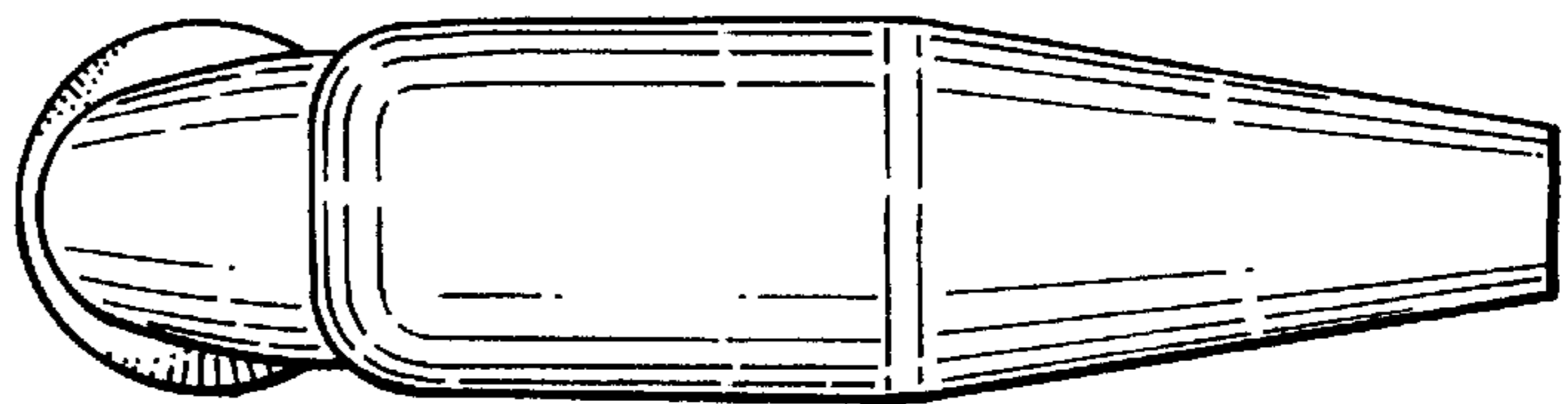


FIG. 6

