



US00D442737S

(12) **United States Design Patent**
Gaddis

(10) **Patent No.:** **US D442,737 S**

(45) **Date of Patent:** **** May 22, 2001**

(54) **CIGAR HOLDER**

* cited by examiner

(76) Inventor: **James Richard Gaddis**, 6467 N.
Rafael Ave., Fresno, CA (US) 93711

Primary Examiner—Susan J. Lucas
Assistant Examiner—Jennifer Rivard

(**) Term: **14 Years**

(57) **CLAIM**

(21) Appl. No.: **29/118,935**

The ornamental design for a cigar holder, as shown and described.

(22) Filed: **Feb. 22, 2000**

DESCRIPTION

(51) **LOC (7) Cl.** **27-06**

(52) **U.S. Cl.** **D27/183**

(58) **Field of Search** D27/172, 183,
D27/102, 135; 131/240.1, 242, 257, 235 R;
206/242; D18/56

FIG. 1 is a left side perspective view of the cigar holder shown in an open position.

FIG. 2 is a right side perspective view of the cigar holder shown in a closed position.

FIG. 3 is a top plan view of the cigar holder shown in an open position.

FIG. 4 is a front elevation view of the cigar holder shown in an open position; and,

FIG. 5 is a right side elevation view of the cigar holder shown in an open position.

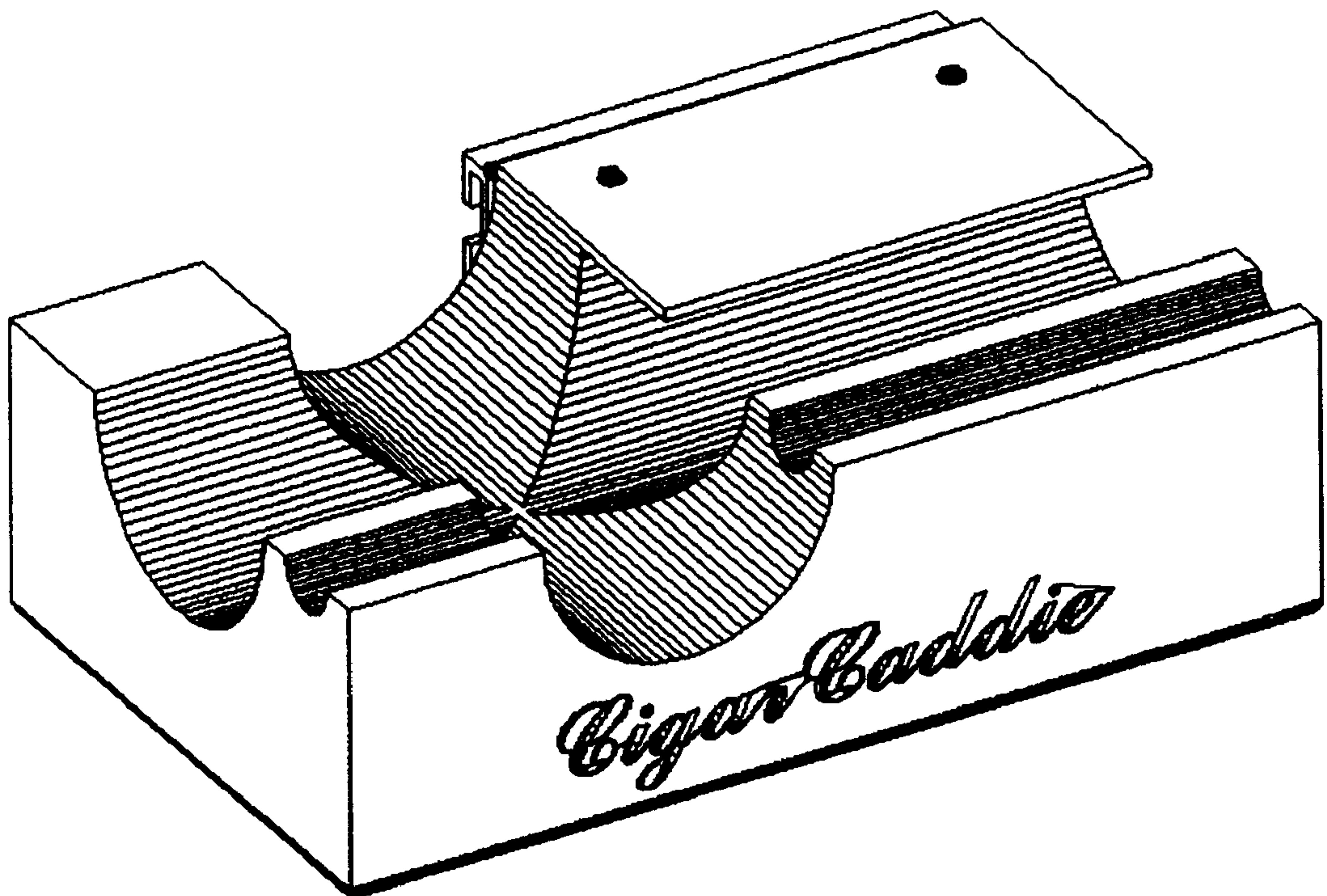
For convenience of illustration, the lines have been omitted from the recessed areas of the cigar holder in FIG. 3.

(56) **References Cited**

U.S. PATENT DOCUMENTS

371,901	*	10/1887	Russell	131/240.1
D. 379,471	*	5/1997	Tektronix	D18/56
D. 387,473	*	12/1997	Angelakos	D27/135
D. 393,923	*	4/1998	Dimonekas	D27/183
D. 412,762	*	8/1999	Miller	D27/102
4,241,742	*	12/1980	Hilding	131/235 R

1 Claim, 2 Drawing Sheets



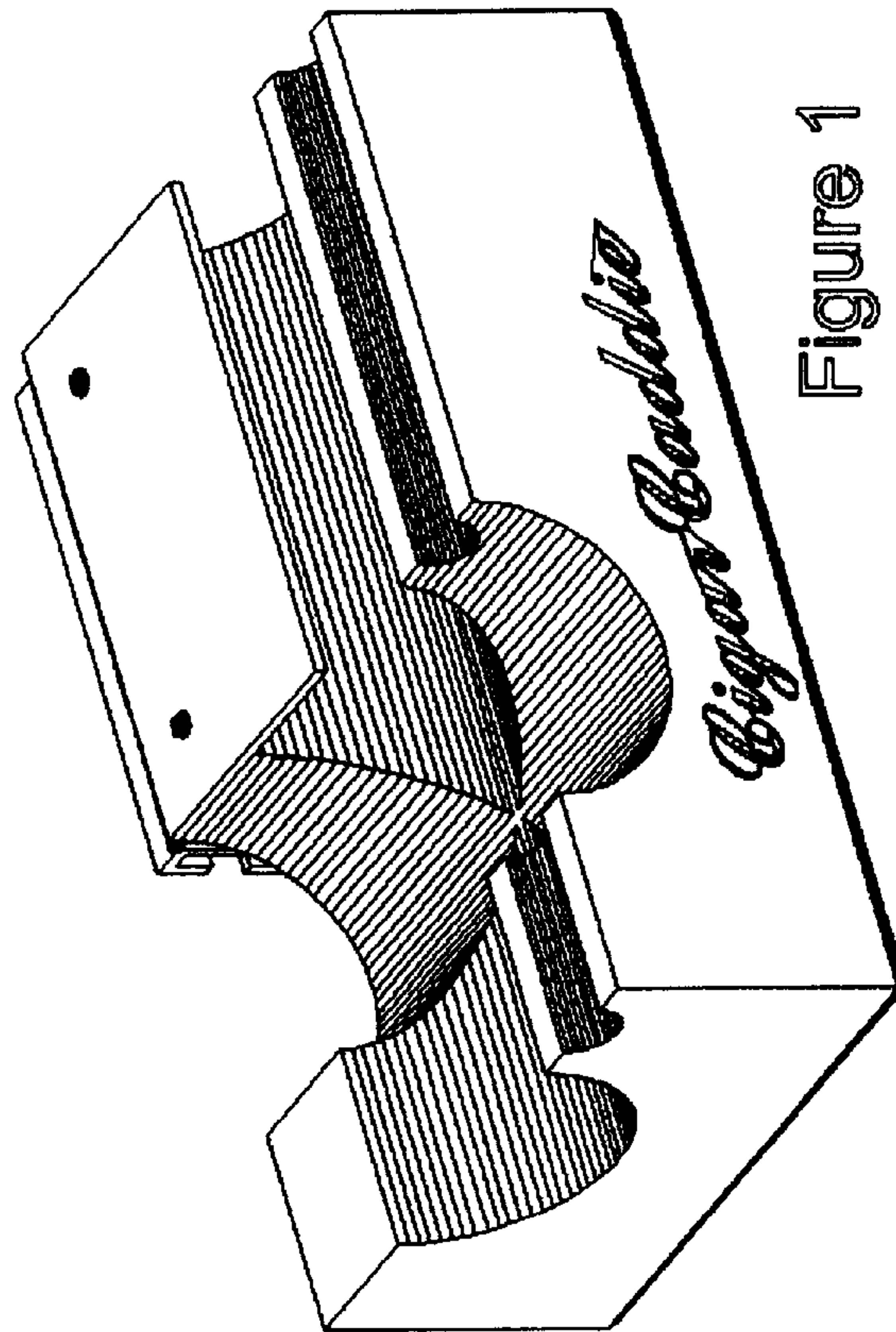


Figure 1

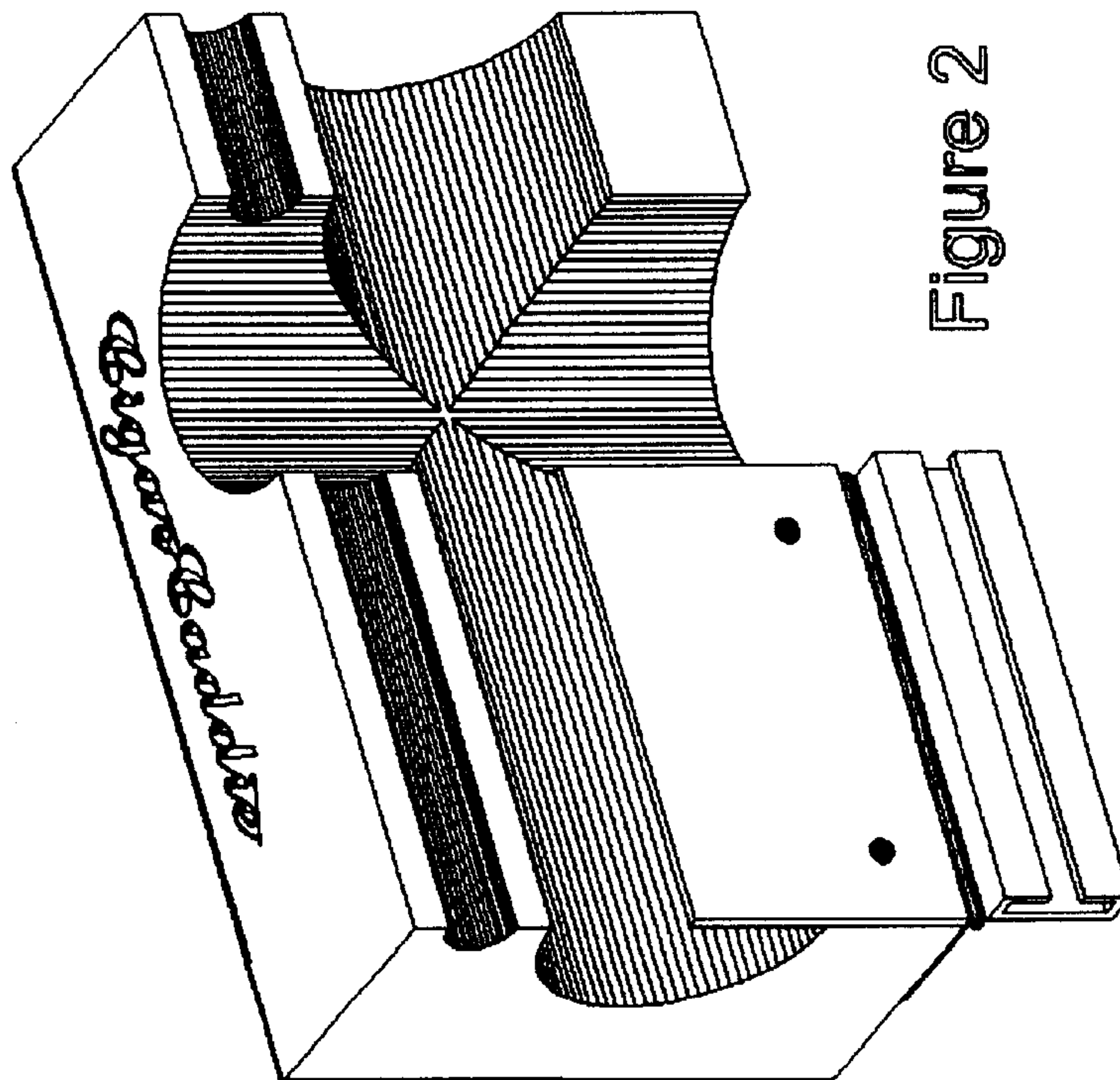


Figure 2

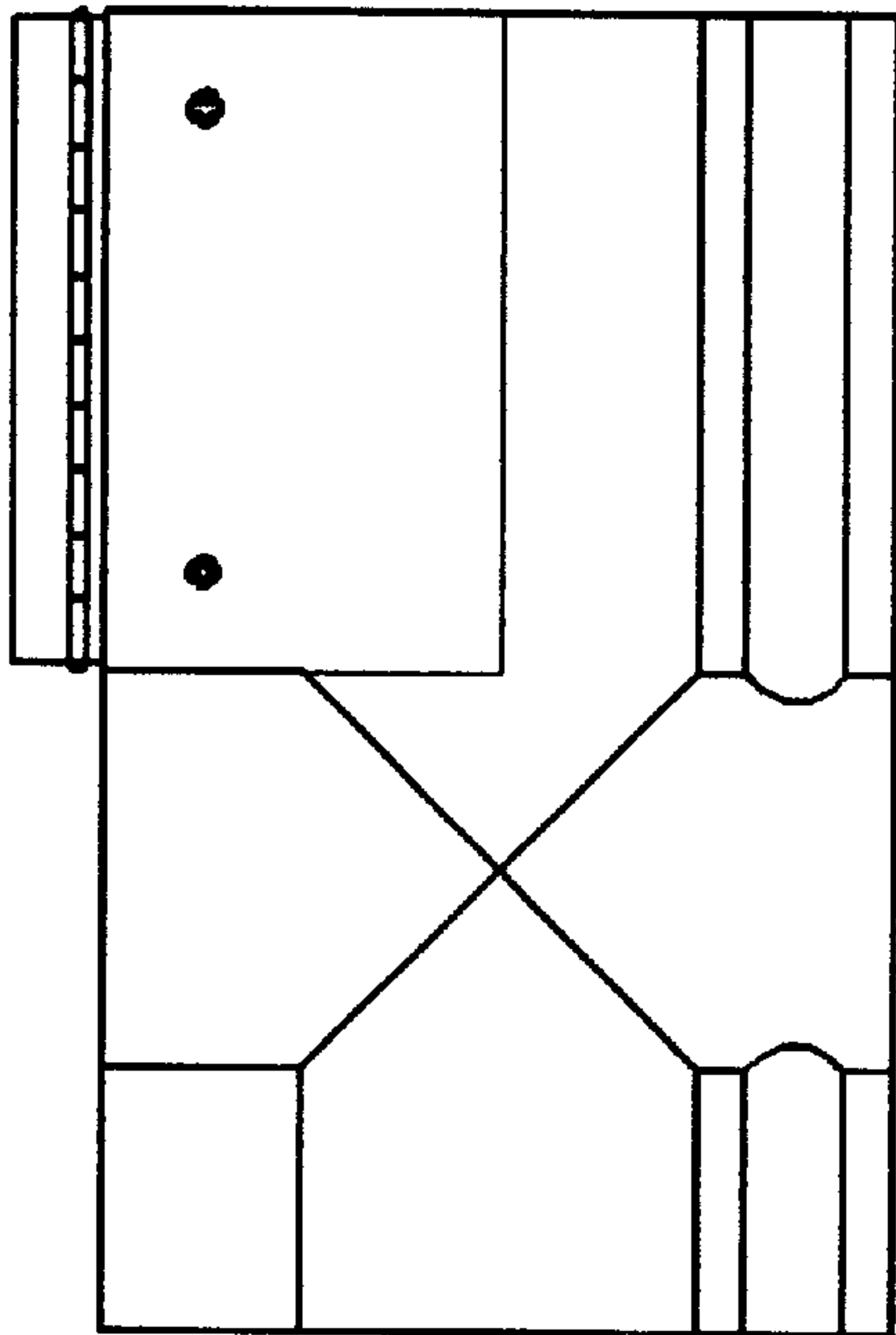


Figure 3

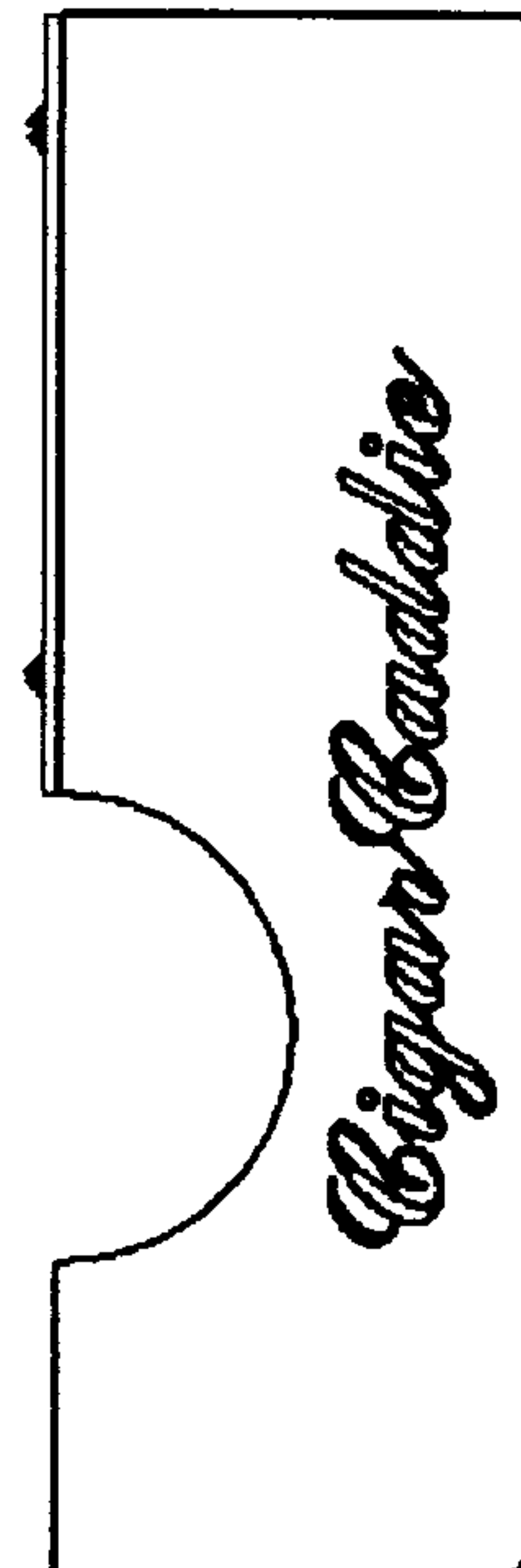


Figure 4

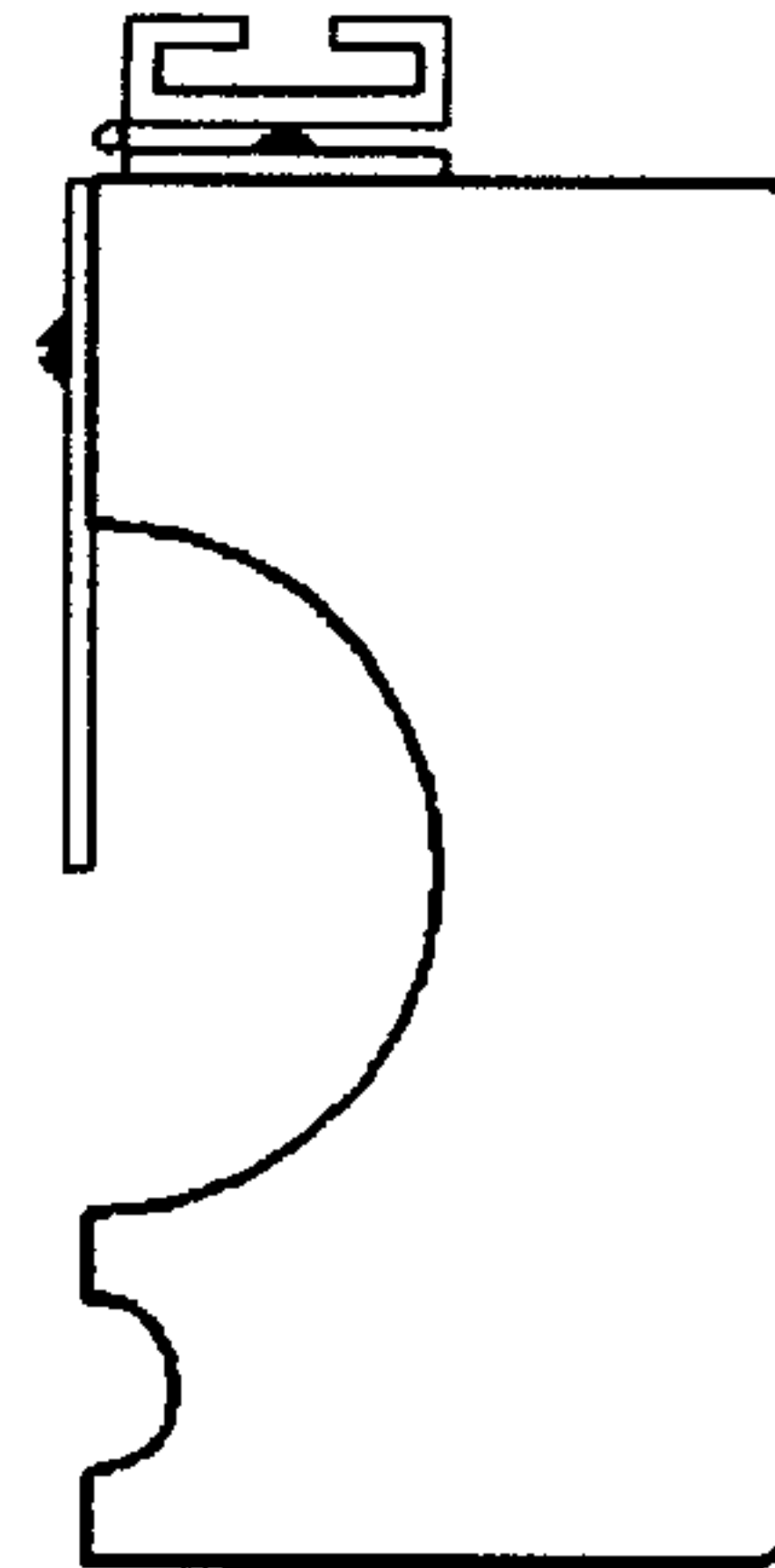


Figure 5