



US00D442736S

(12) **United States Design Patent**  
**McGilvray**

(10) **Patent No.:** **US D442,736 S**

(45) **Date of Patent:** **\*\* May 22, 2001**

(54) **ASH TRAY MUG WITH REMOVABLE LID**

**DESCRIPTION**

(76) Inventor: **Karen McGilvray**, 595 St. Marie St.,  
Florissant, MO (US) 63031

(\*\*) Term: **14 Years**

(21) Appl. No.: **29/127,767**

(22) Filed: **Aug. 14, 2000**

(51) **LOC (7) Cl.** ..... **27-03**

(52) **U.S. Cl.** ..... **D27/118; D7/510; D7/533**

(58) **Field of Search** ..... **D27/102, 103,**  
**D27/106, 118, 125; D7/510, 533, 511; 131/231,**  
**235.1, 238, 242**

(56) **References Cited**

**U.S. PATENT DOCUMENTS**

- D. 258,468 3/1981 Whitlock .
- D. 428,769 \* 7/2000 Mensch et al. .... D7/533
- D. 434,275 \* 10/2000 Ginuntoli et al. .... D7/533
- D. 436,294 \* 11/2000 Marck ..... D7/511

\* cited by examiner

*Primary Examiner*—Susan J. Lucas  
*Assistant Examiner*—Jennifer Rivard  
(74) *Attorney, Agent, or Firm*—Kevin L. Klug

(57) **CLAIM**

The ornamental design for an ash tray mug with removable lid, as shown and described.

FIG. 1 is a front side elevation view of an ash tray mug with removable lid attached which is symmetrical with a rear side elevation;

FIG. 2 is a right side elevation view thereof;

FIG. 3 is a left side elevation view thereof;

FIG. 4 is a top plan view thereof;

FIG. 5 is a bottom plan view thereof;

FIG. 6 is a front side elevation view of an ash tray mug with removable lid removed and not shown; the figure is symmetrical with a rear side elevation view;

FIG. 7 is a right side elevation view thereof;

FIG. 8 is a left side elevation view thereof;

FIG. 9 is a top plan view thereof;

FIG. 10 is a top plan view of the removable lid alone;

FIG. 11 is a left side elevation view thereof which is symmetrical with a right side elevation view;

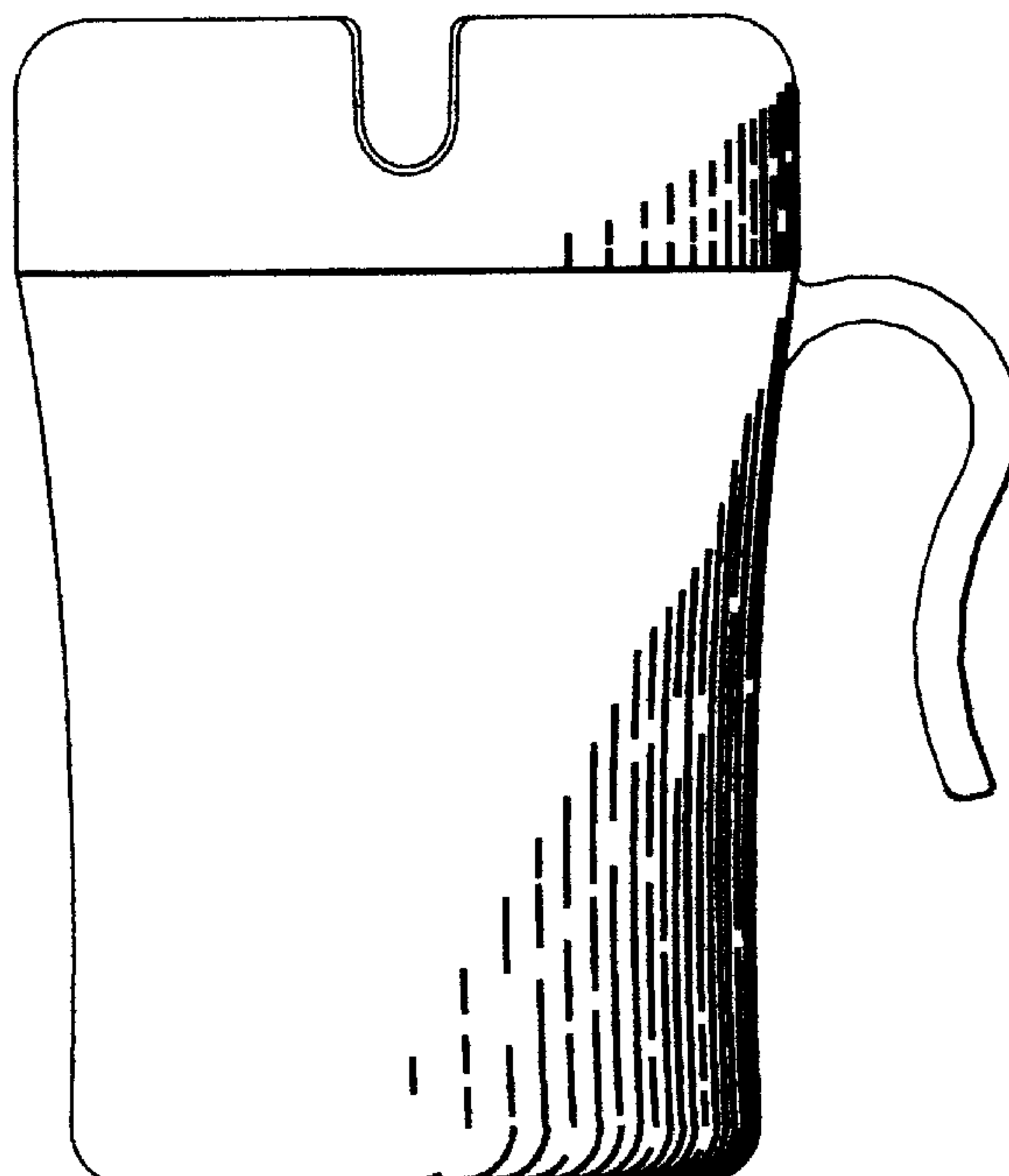
FIG. 12 is a bottom plan view thereof; and,

FIG. 13 is a front side elevation view thereof which is symmetrical with a rear side elevation view.

The bottom view of the ash tray mug with the removable lid removed is identical to FIG. 5.

For convenience of illustration, the mug and the lid are disclosed separately.

**1 Claim, 7 Drawing Sheets**



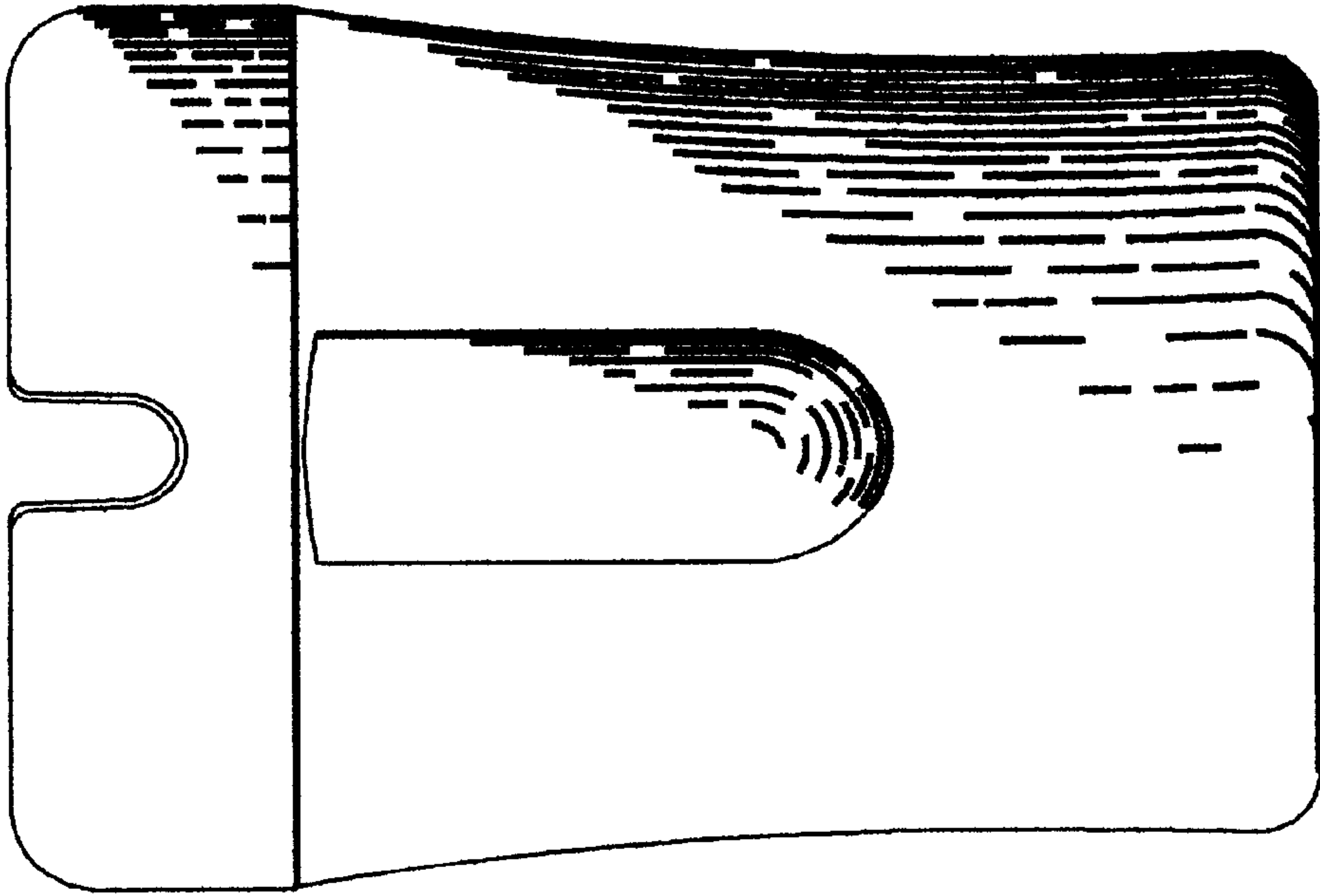


FIG. 1

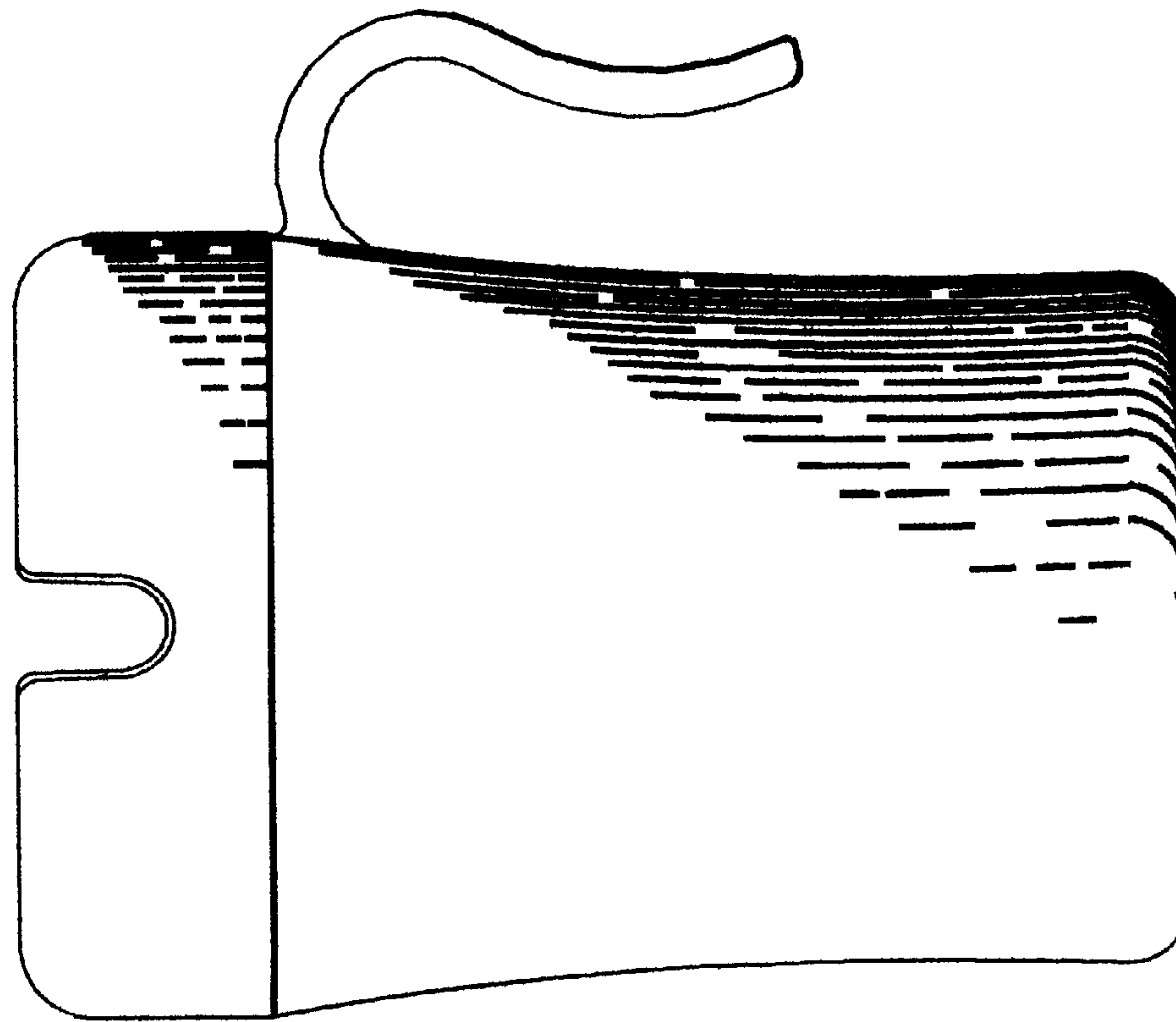


FIG. 2

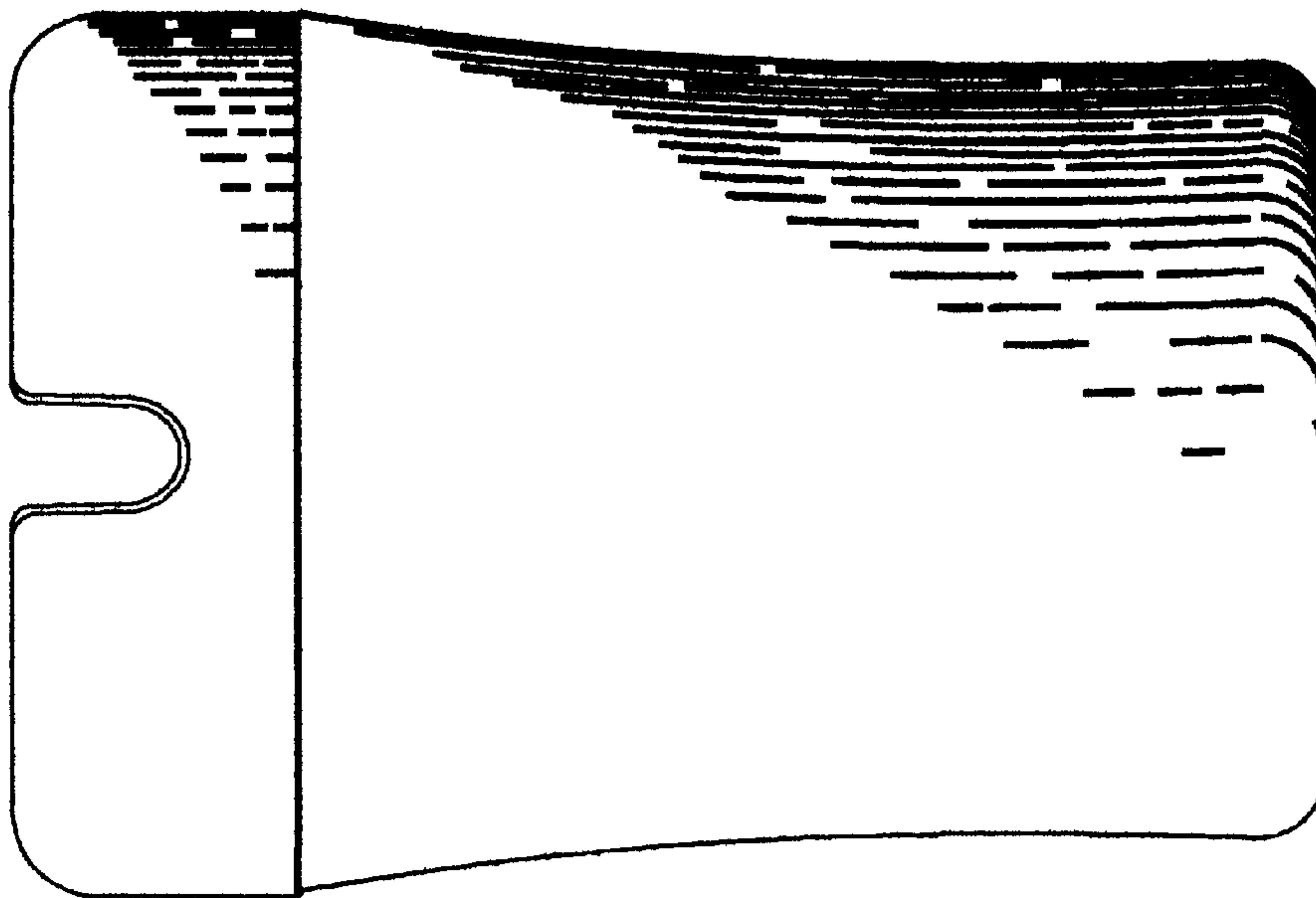


FIG. 3

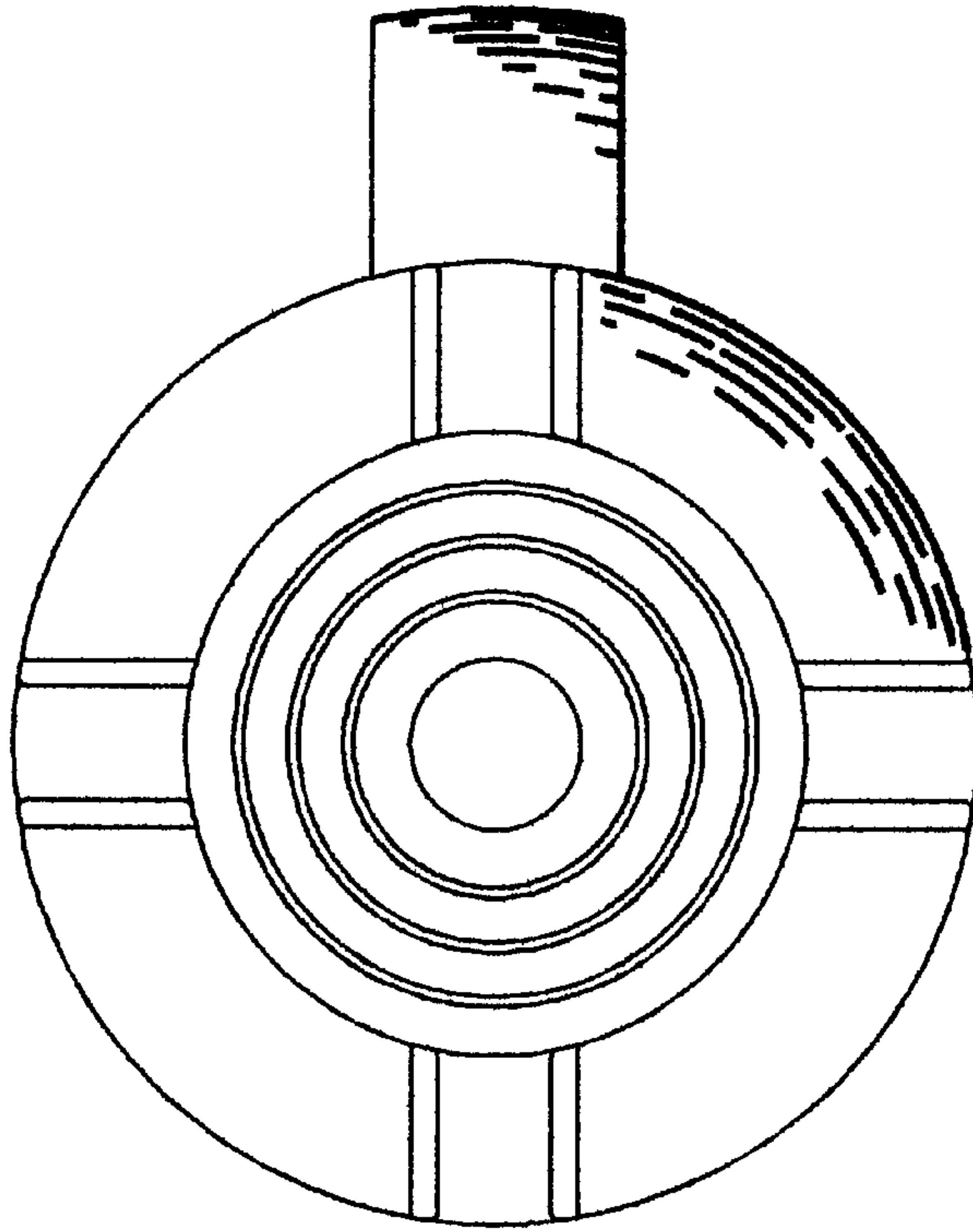


FIG. 4

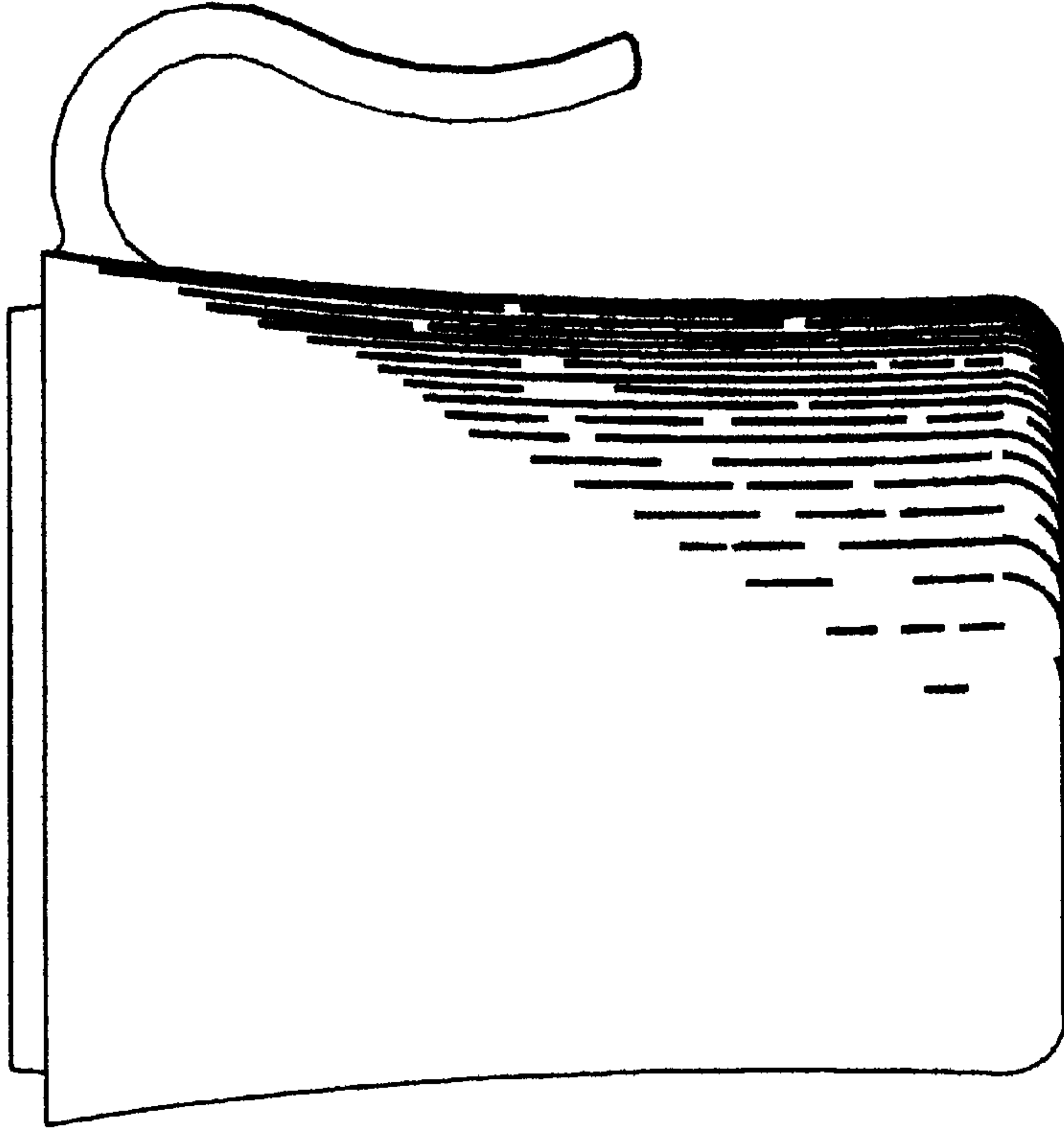


FIG. 6

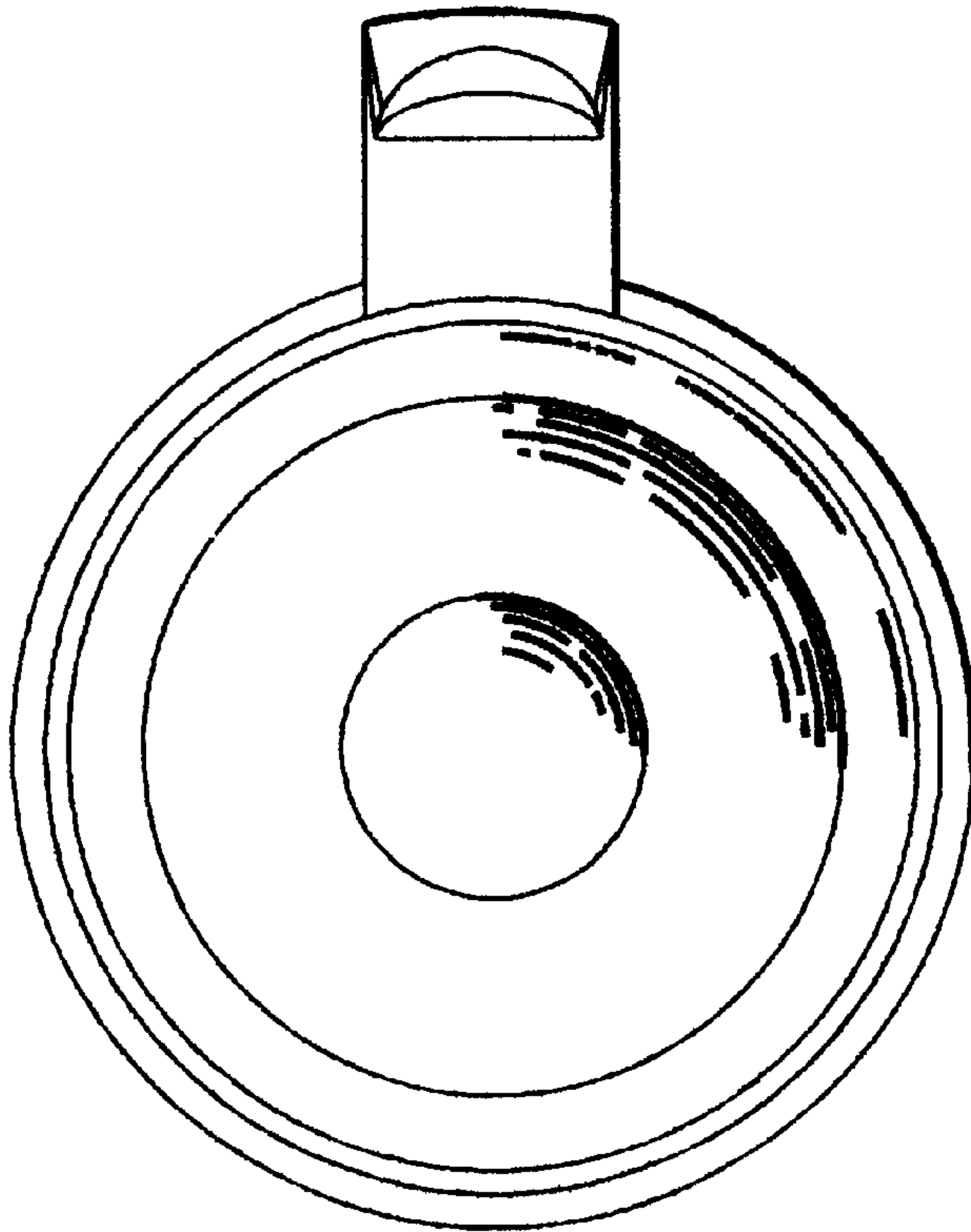


FIG. 5

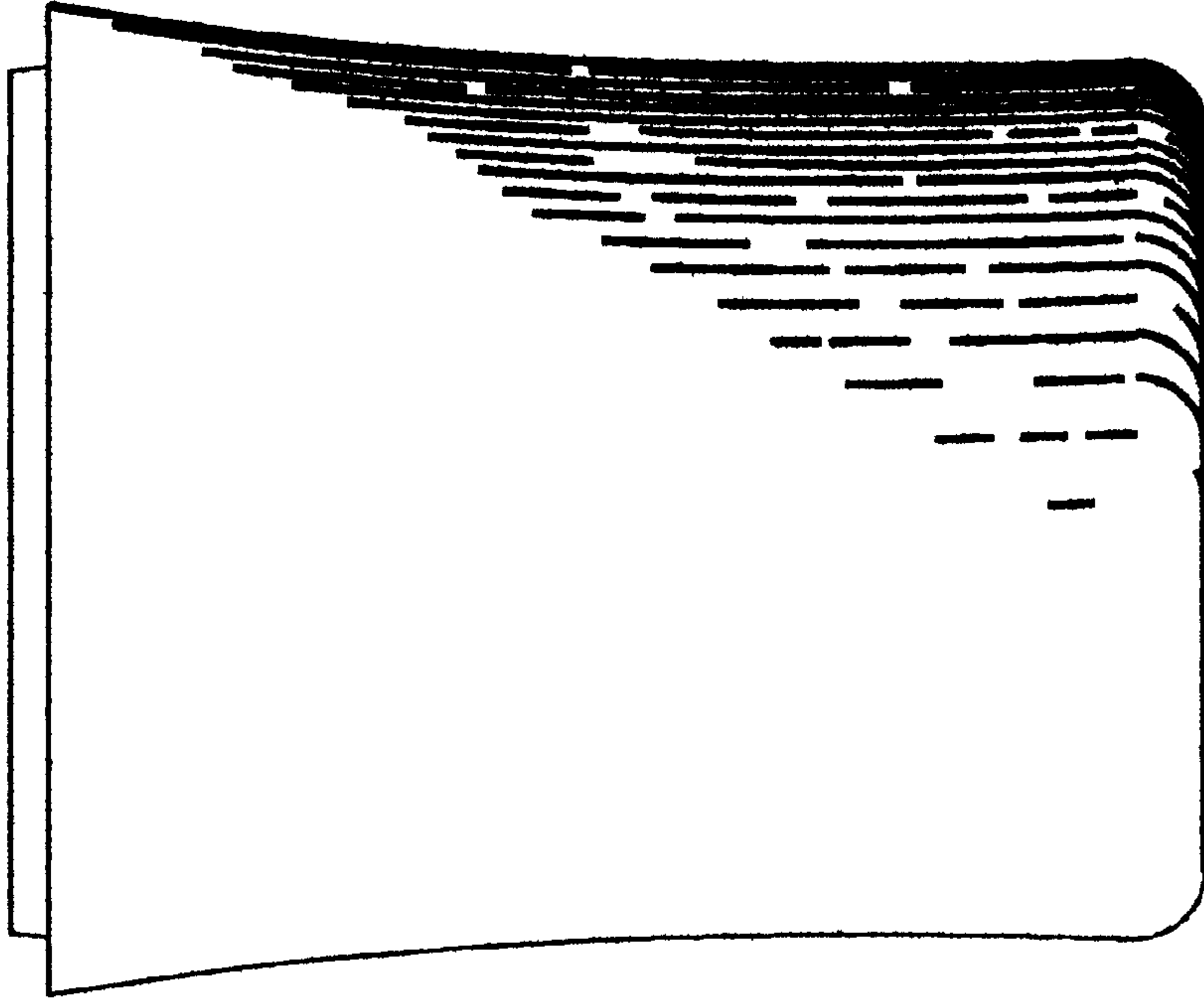


FIG. 8

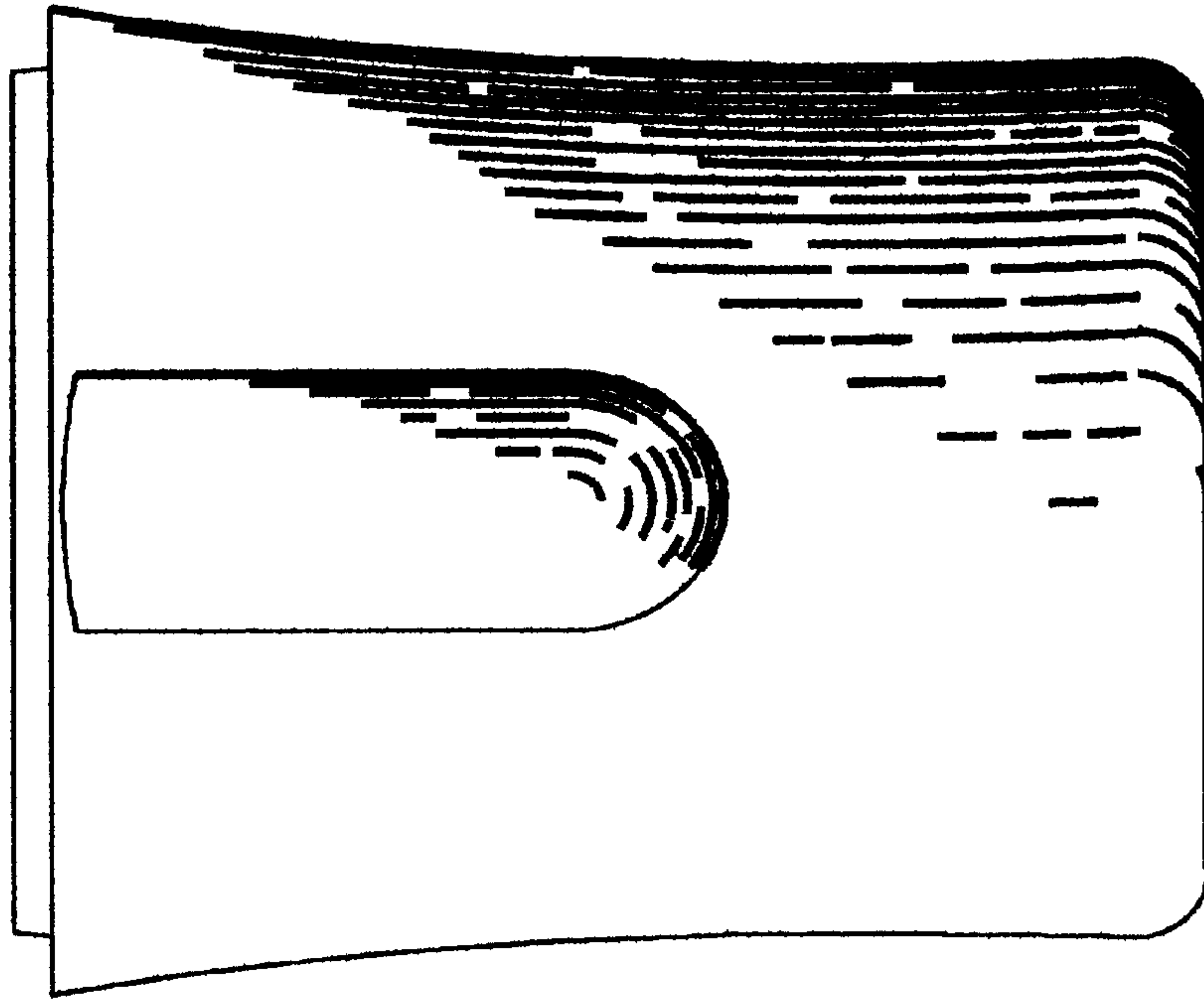


FIG. 7



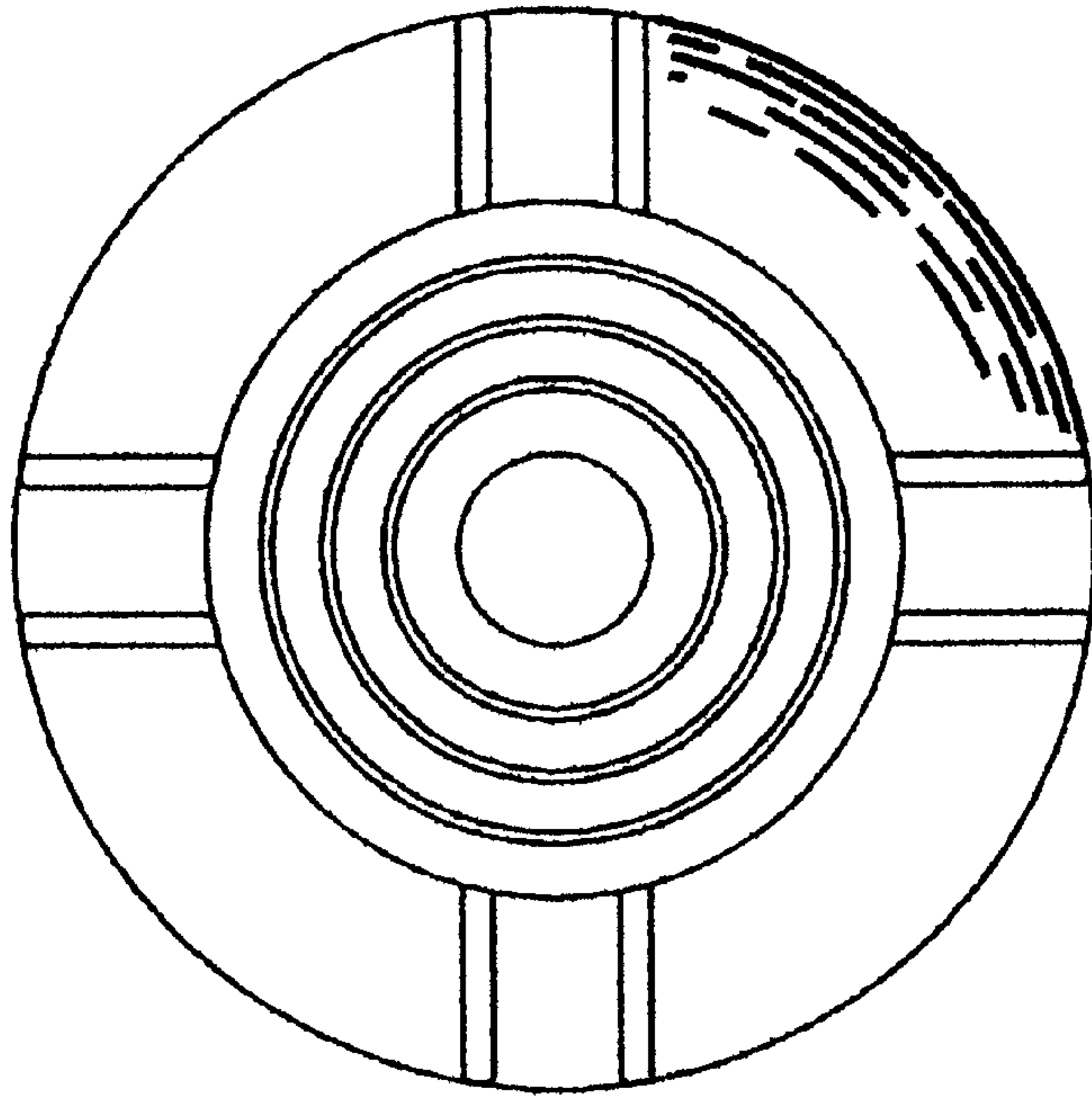


FIG. 9

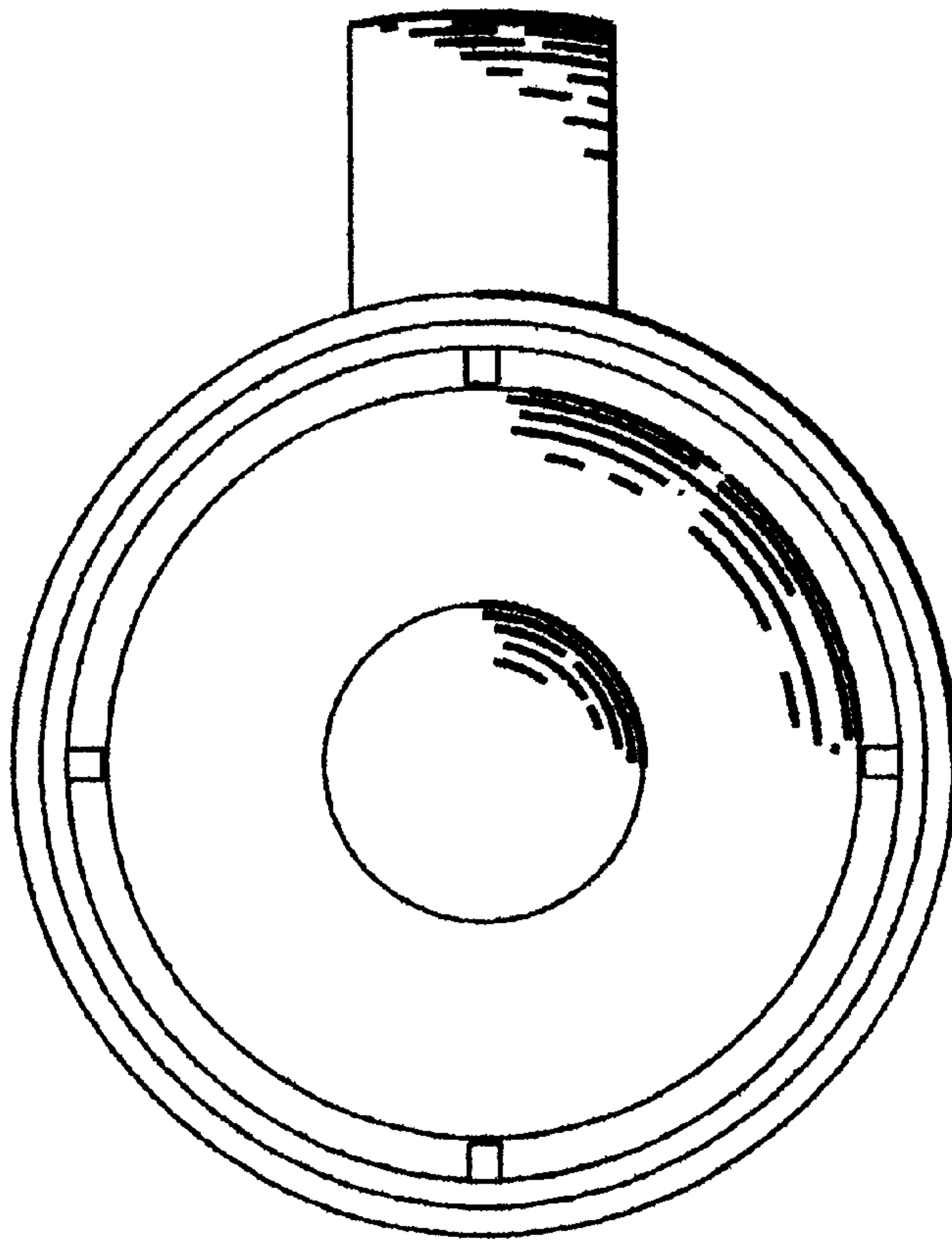


FIG. 10

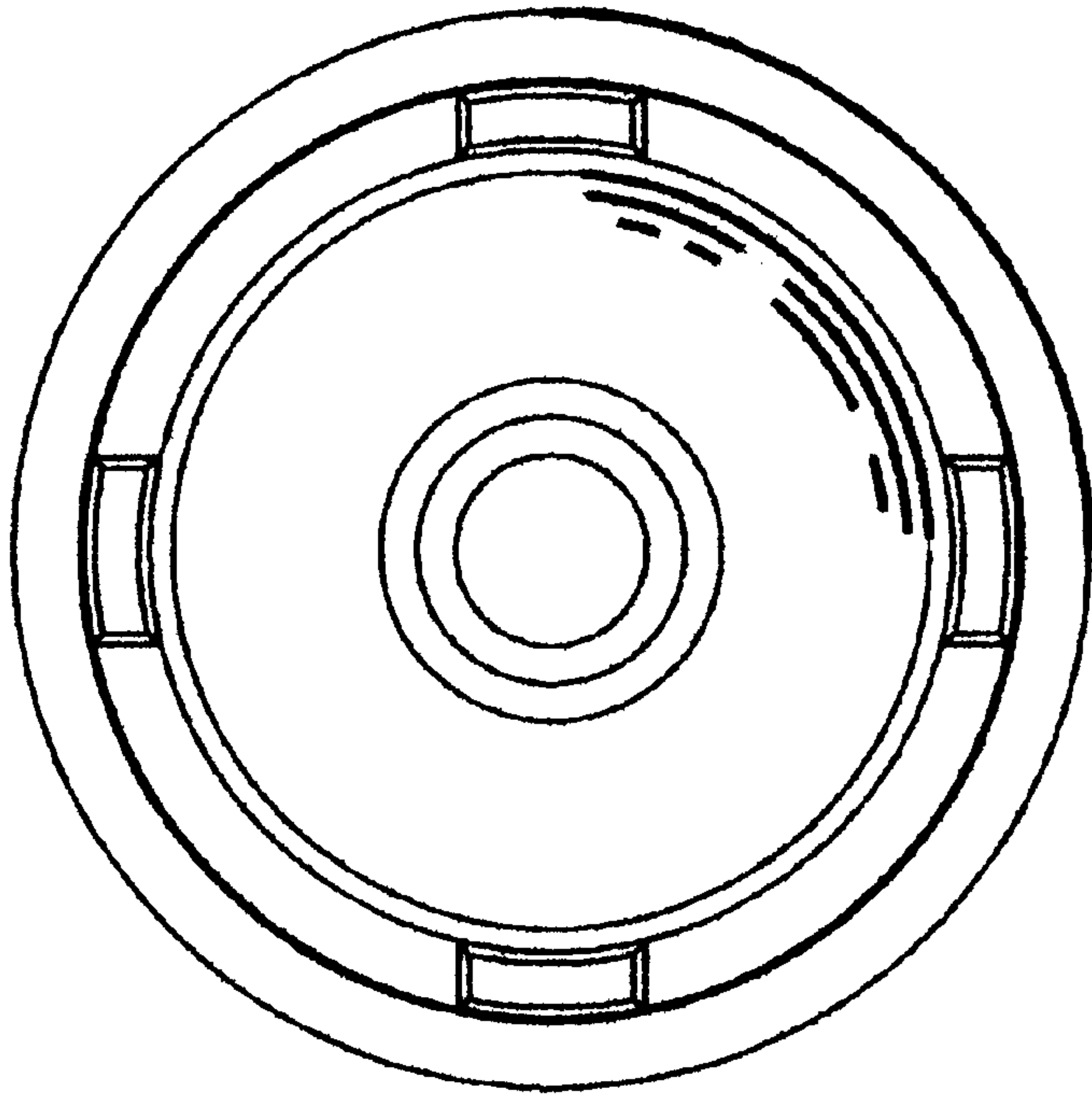


FIG. 11

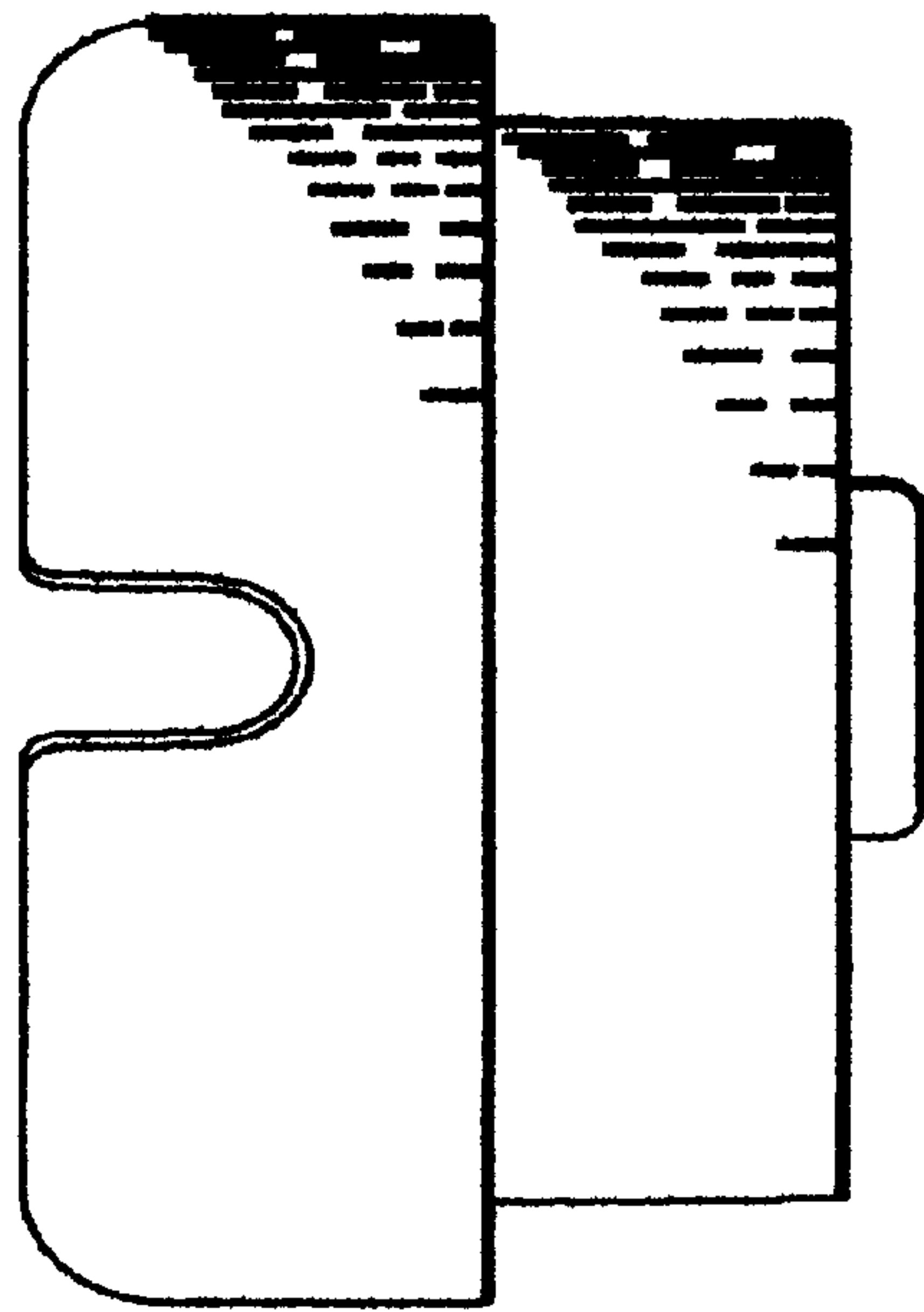


FIG. 12

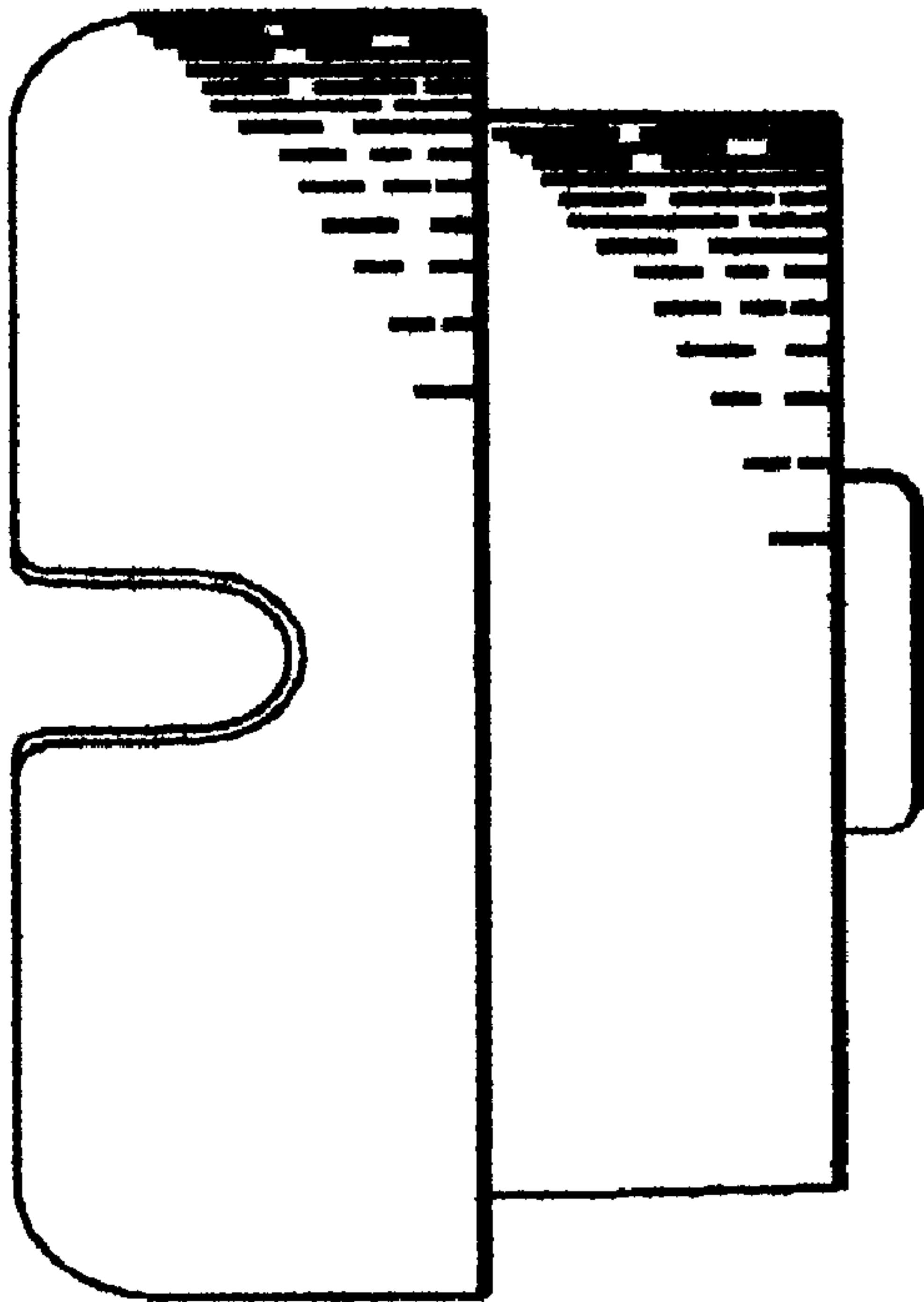


FIG. 13