



US00D442730S

(12) **United States Design Patent**
Doerr

(10) **Patent No.:** **US D442,730 S**

(45) **Date of Patent:** **** May 22, 2001**

(54) **LIGHTING FIXTURE MOUNTABLE ON AN OVERHEAD SUPPORT**

(75) Inventor: **Lee A. Doerr**, Mequon, WI (US)
(73) Assignee: **SPI Lighting, Inc.**, Mequon, WI (US)
(**) Term: **14 Years**

(21) Appl. No.: **29/117,054**
(22) Filed: **Jan. 14, 2000**

(51) **LOC (7) Cl.** **26-05**
(52) **U.S. Cl.** **D26/90**
(58) **Field of Search** D26/72, 80-92,
D26/142, 143, 149, 156; 362/147, 404-408

(56) **References Cited**

U.S. PATENT DOCUMENTS

D. 329,921 9/1992 Benghozi D26/88
D. 403,799 * 1/1999 Dolan D26/90

OTHER PUBLICATIONS

1994 Artemide catalog ad, 70, showing various light fixtures.
Undated Lightolier catalog ad, p. 50, showing "Opaline" light fixture, (Prior to filing date).
Undated Peerless catalog ad showing lighting fixtures; Prior to filing date.
1992 Shaper Lighting catalog ad showing a "407" luminous bowl light fixture.
1992 SPI Lighting catalog ad showing light pendants with tripod wires.
Corbett lighting catalog, 1992, p. 3 chandelier, # 5222.*

* cited by examiner

Primary Examiner—Susan J. Lucas
(74) *Attorney, Agent, or Firm*—Quarles & Brady LLP

(57) **CLAIM**

The ornamental design for a lighting fixture mountable on an overhead support, as shown and described.

DESCRIPTION

In a preferred embodiment, the nature of this product is as a light mountable from a ceiling.
FIG. 1 is a bottom, frontal perspective view of a lighting fixture mountable on an overhead support embodying my new design;
FIG. 2 is a bottom plan view thereof;
FIG. 3 is a front elevational view thereof, the rear elevational, right side elevational, and left side elevational views thereof being identical to the front elevational view shown;
FIG. 4 is a top plan view thereof;
FIG. 5 is a bottom, frontal view of a second embodiment;
FIG. 6 is a bottom plan view thereof;
FIG. 7 is a front elevational view thereof, the rear elevational, right side elevational, and left side elevational views thereof being identical to the front elevational view shown;
FIG. 8 is a top plan view thereof, and of the FIG. 9 embodiment;
FIG. 9 is a bottom, frontal perspective view of a third embodiment;
FIG. 10 is a bottom plan view thereof; and,
FIG. 11 is a front elevational view thereof, the rear elevational, right side elevational, and left side elevational views thereof being identical to the front elevational view shown. The broken line representations of mounting hanger structures in FIGS. 1, 3, 5, 7, 9 and 11, ceilings in FIGS. 3, 7 and 11, and venting holes in FIGS. 4 and 8 are for the purpose of illustration only, and form no part of the claimed design.

1 Claim, 6 Drawing Sheets

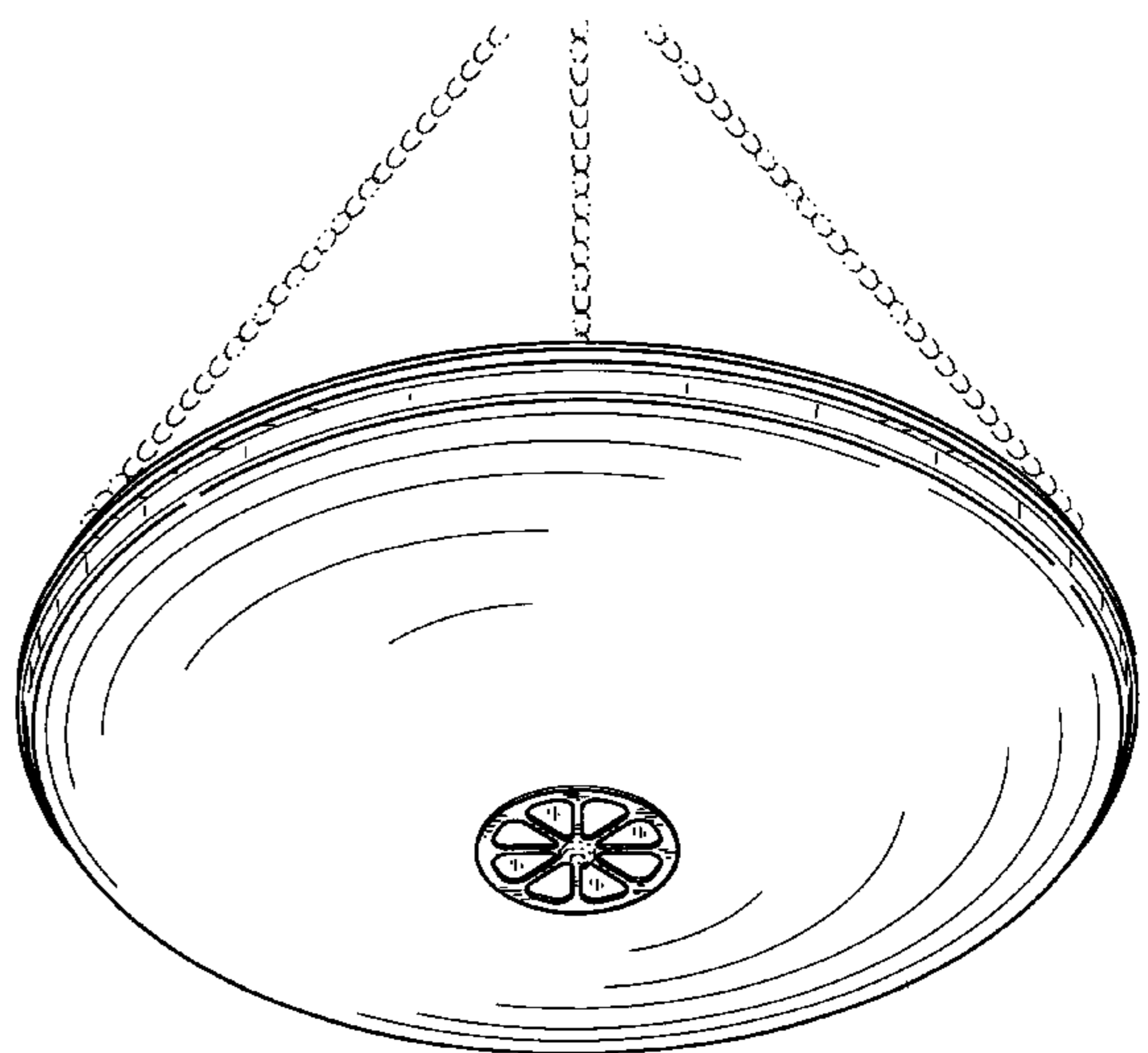
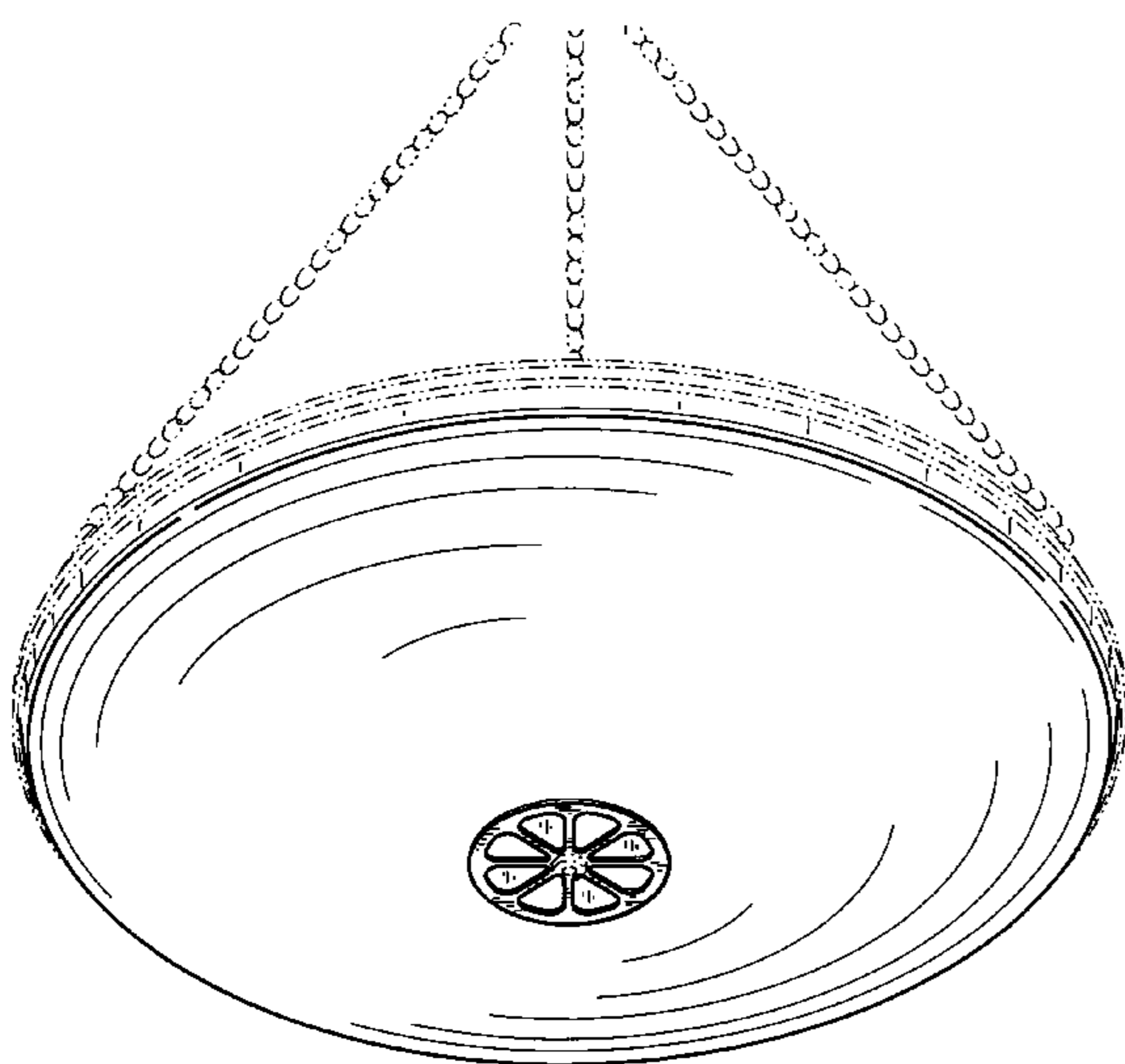


FIG. 1

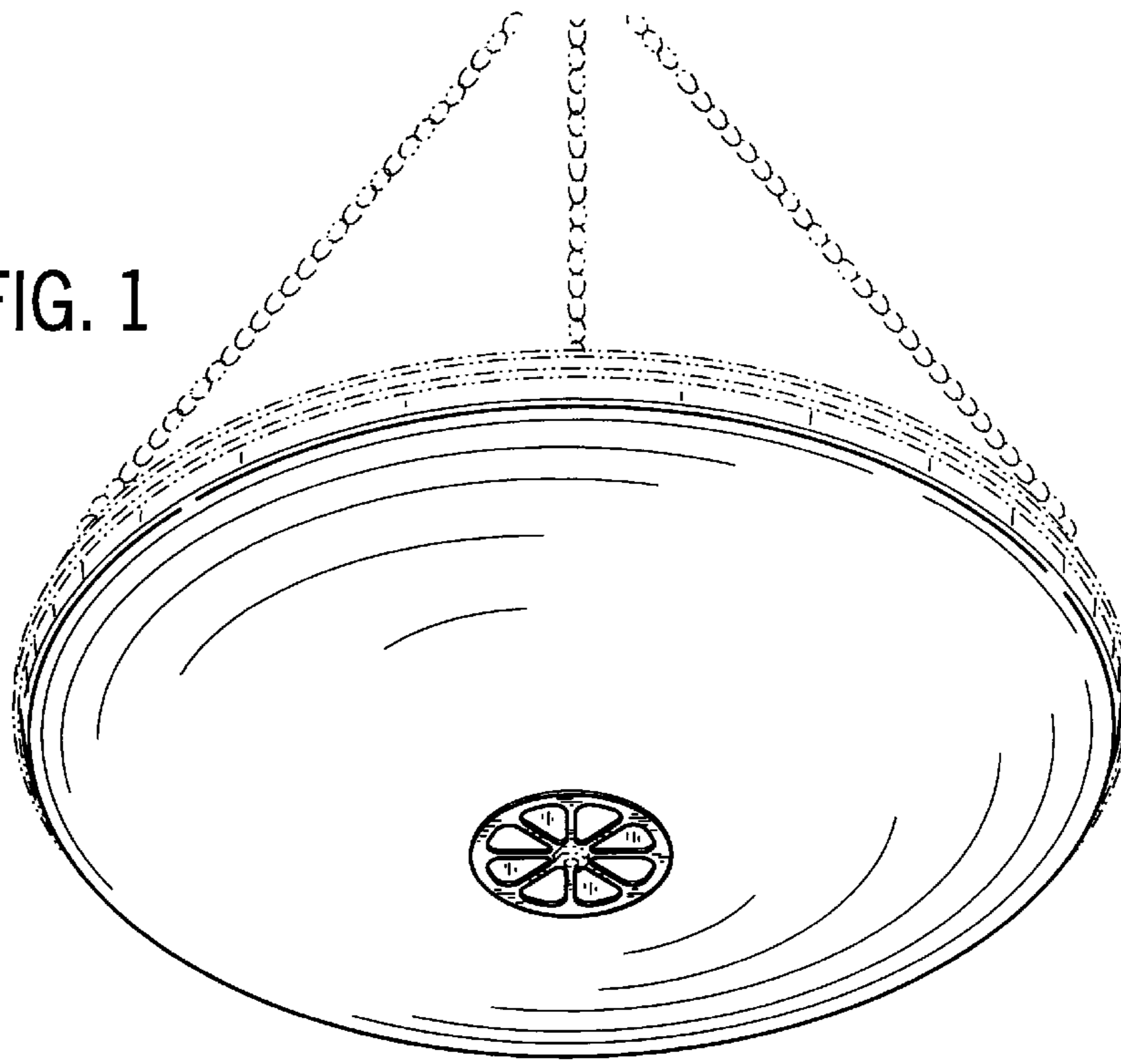
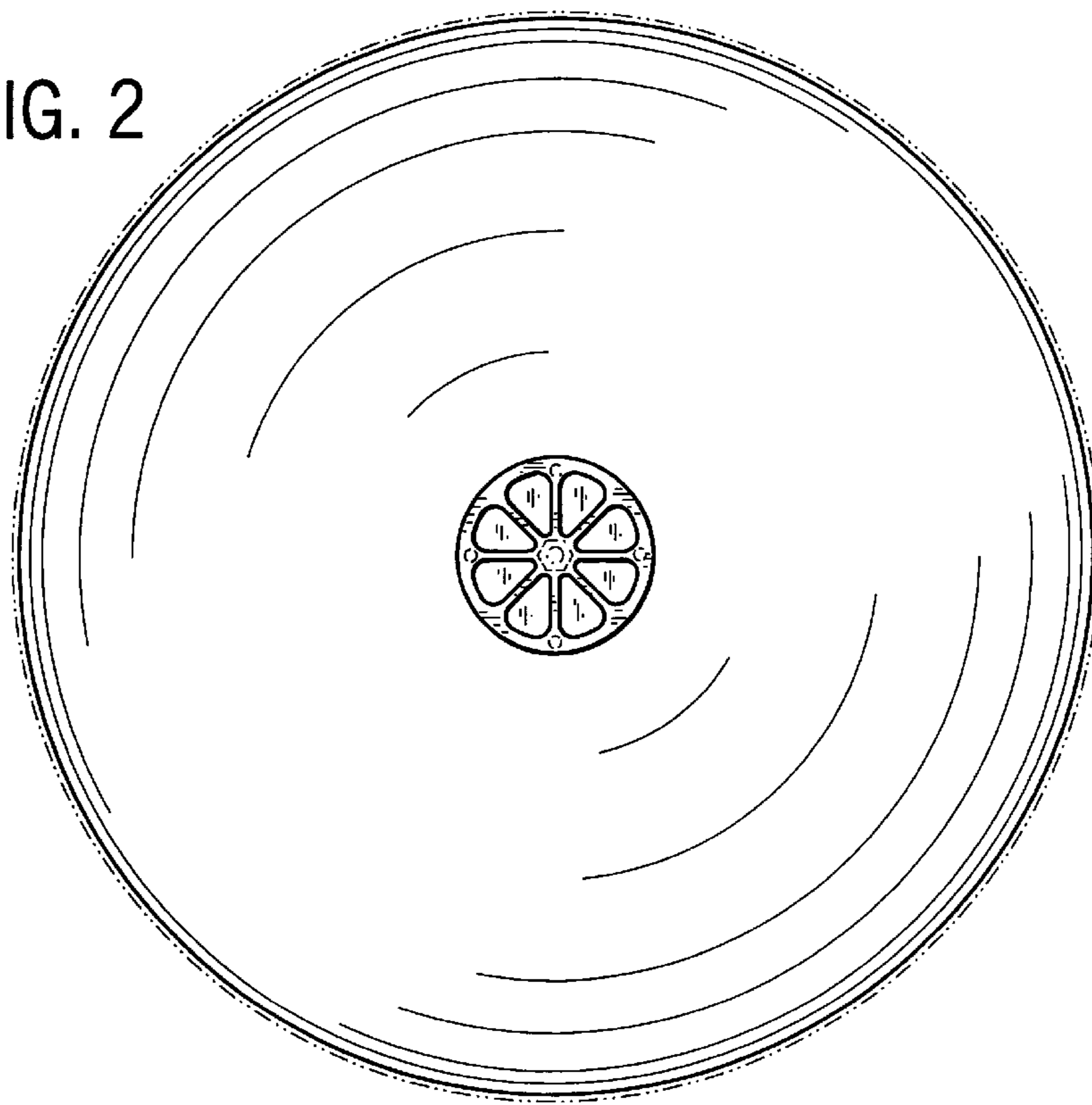


FIG. 2



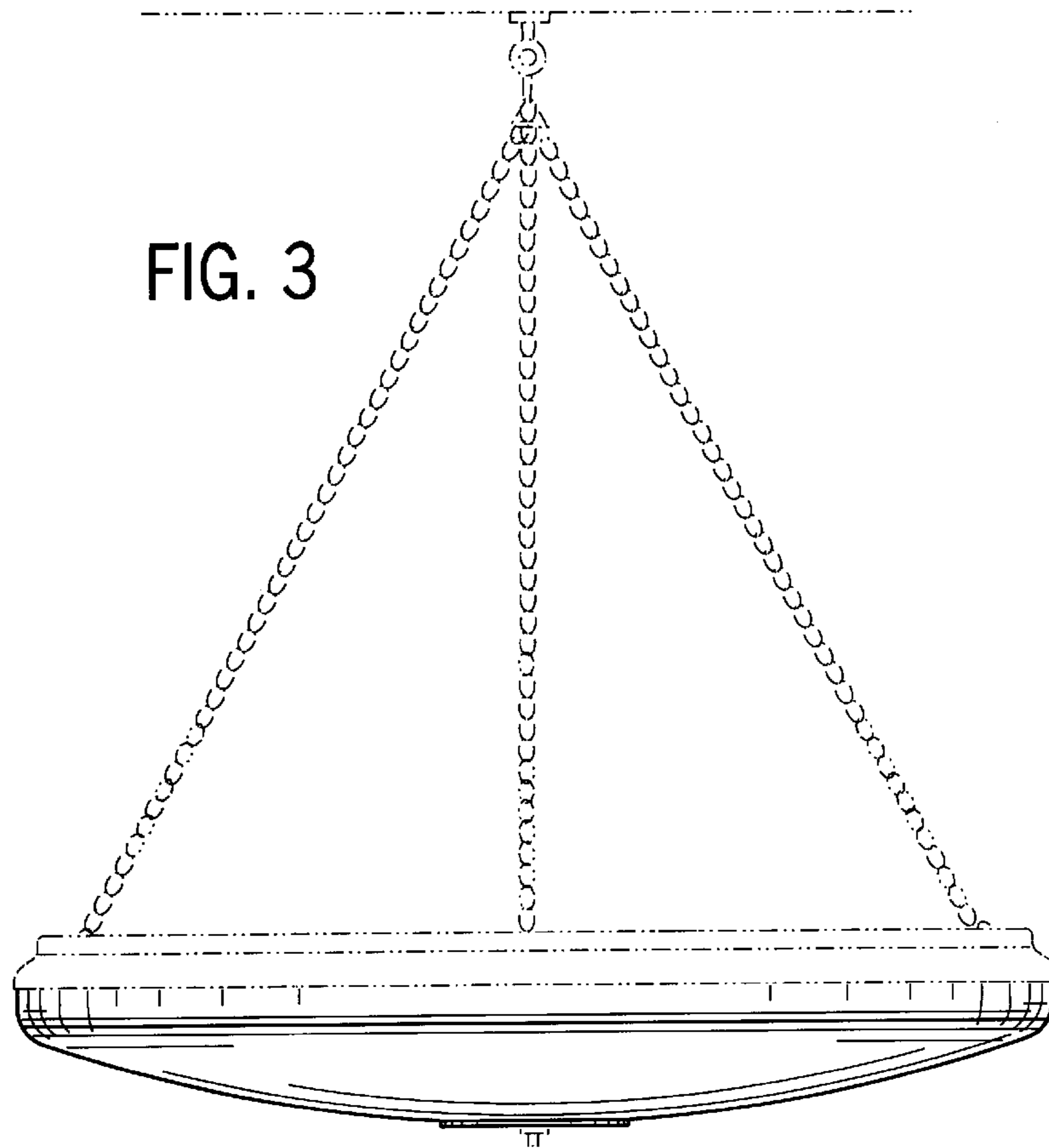


FIG. 4

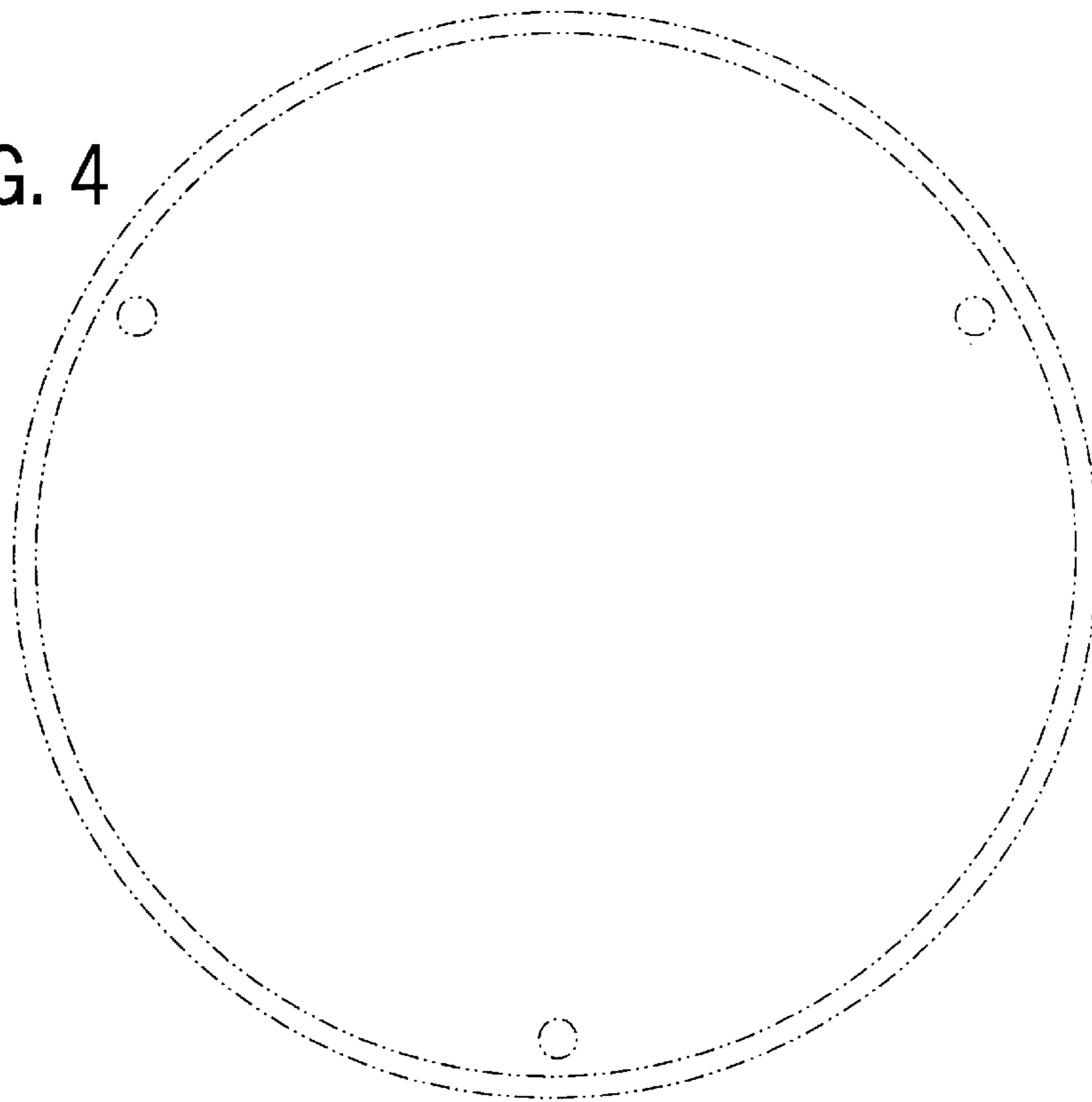


FIG. 5

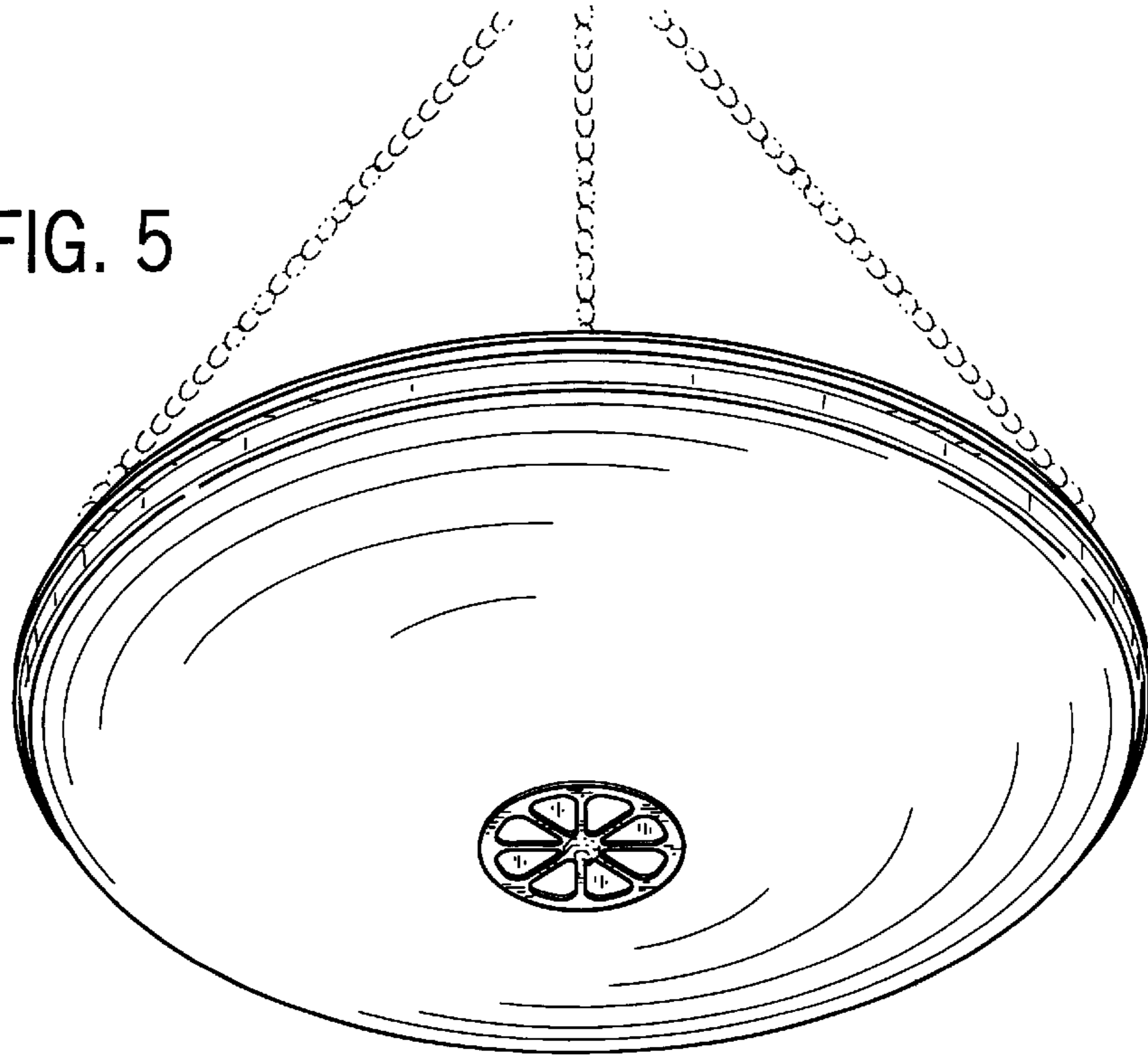


FIG. 6

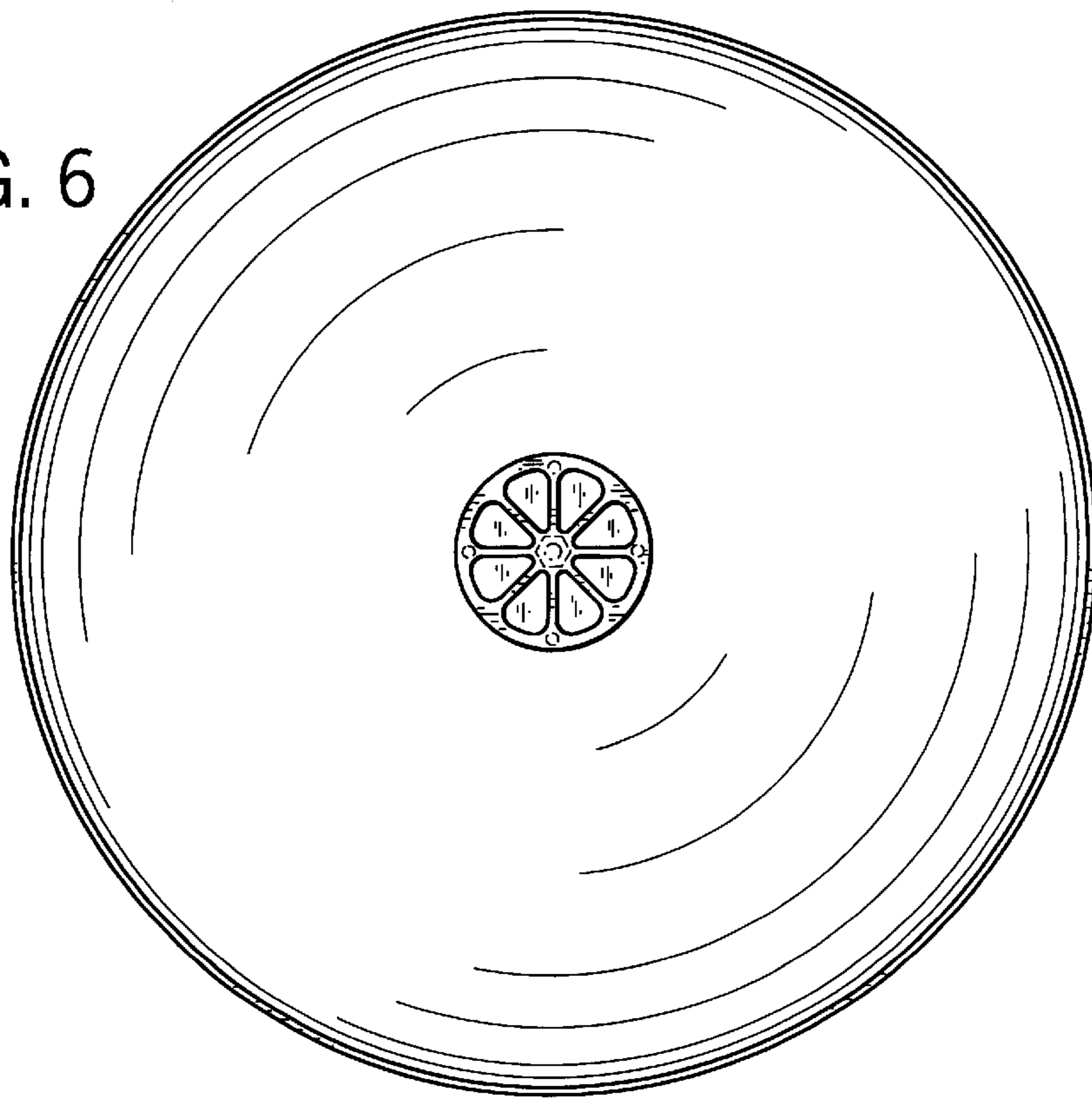


FIG. 7

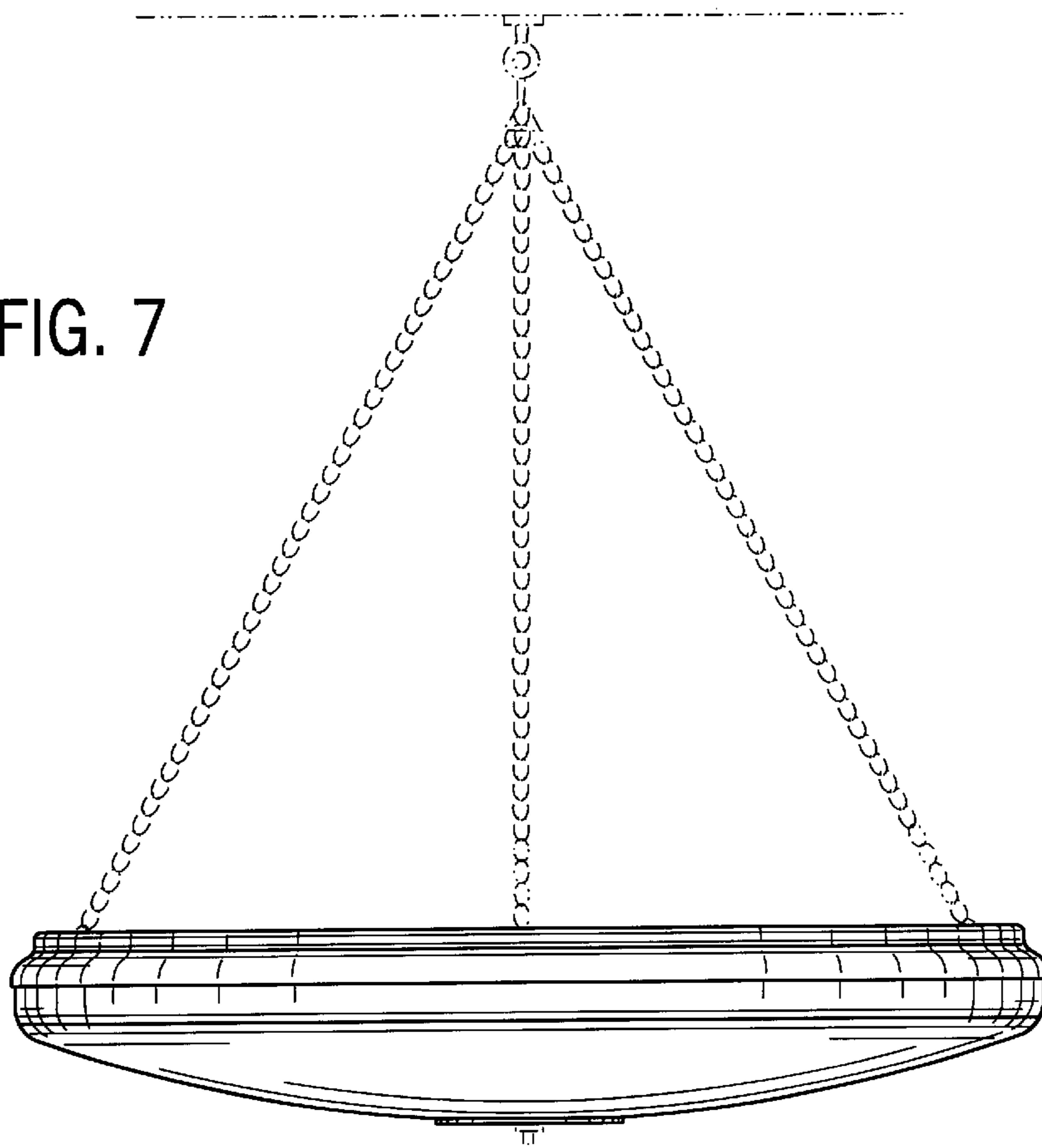


FIG. 8

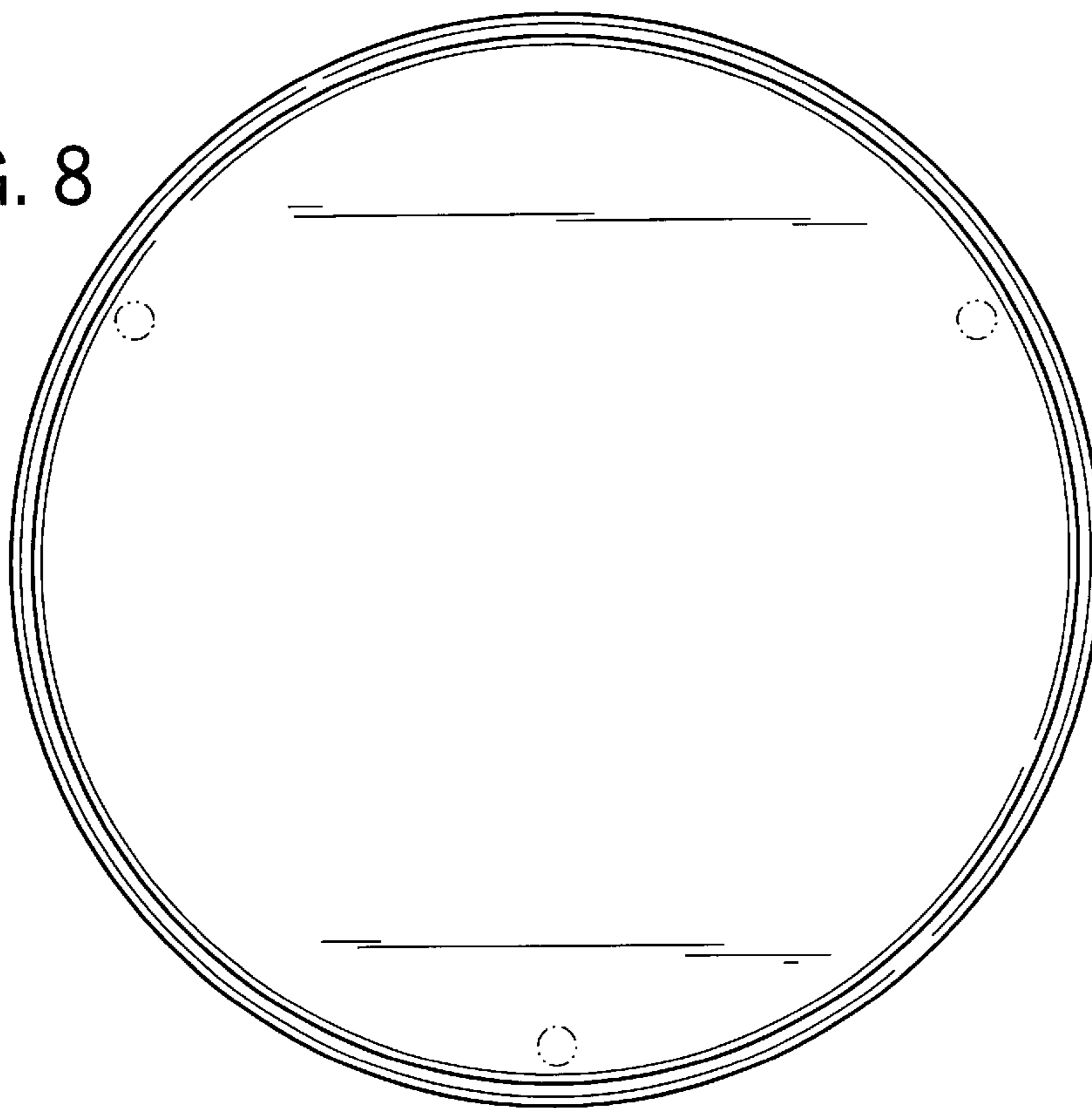


FIG. 9

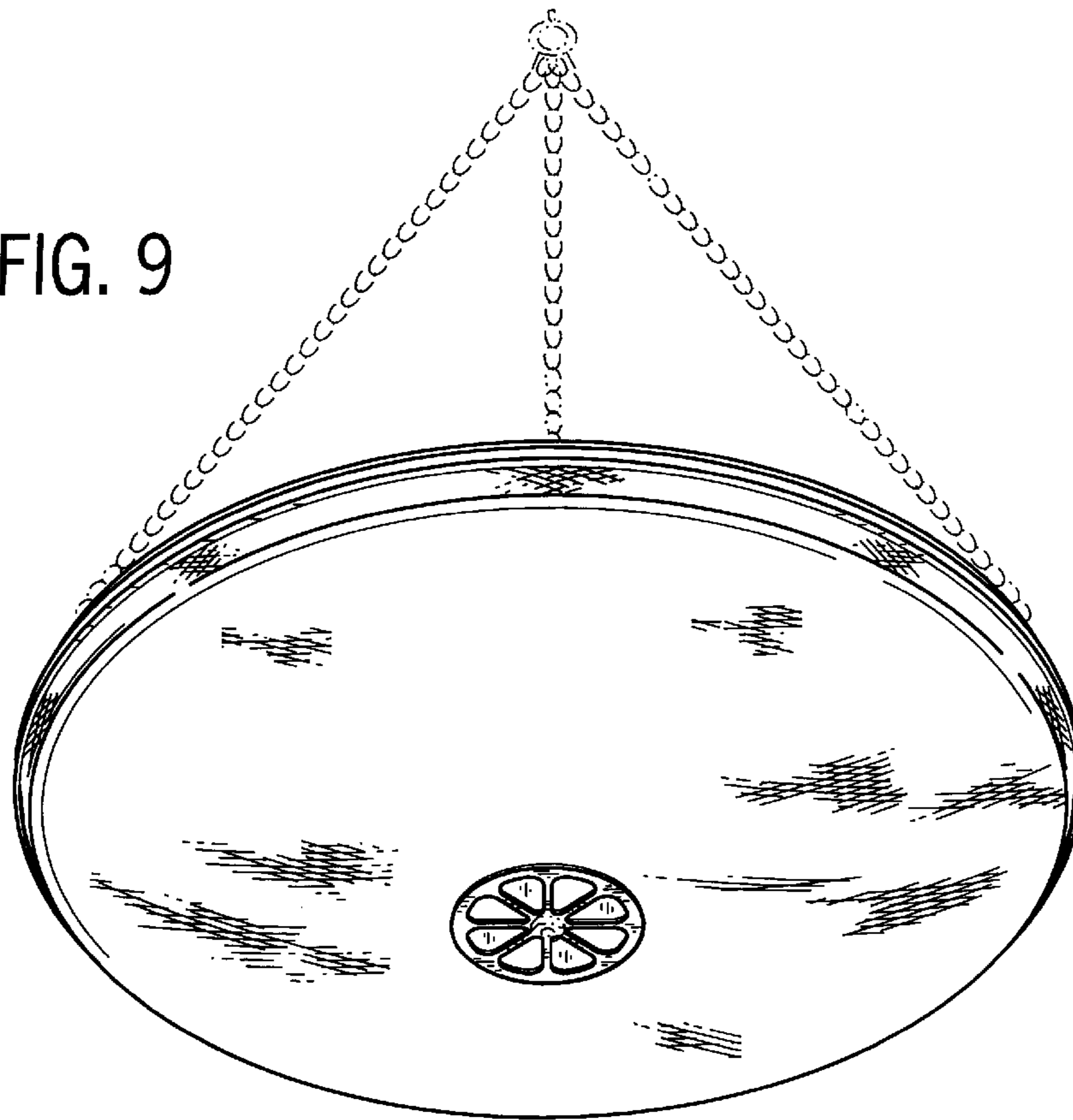


FIG. 10

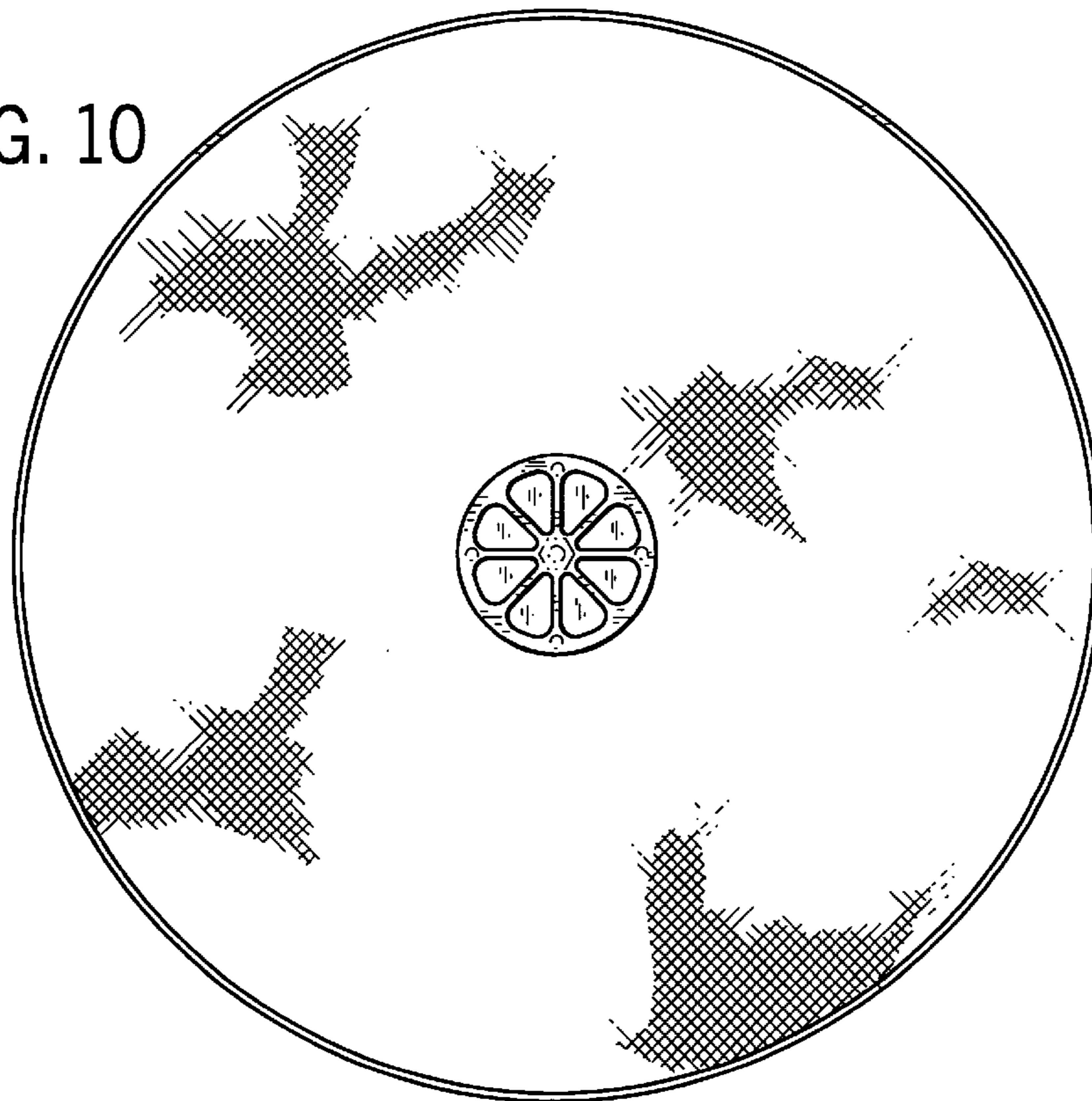


FIG. 11

