



US00D442721S

(12) **United States Design Patent**
Hsu

(10) **Patent No.:** **US D442,721 S**

(45) **Date of Patent:** **** May 22, 2001**

(54) **PENDENT LAMP**

Taiwan Lighting, Aug. 1999, p. 12, lantern top, right.*

(76) Inventor: **Sam Hsu**, No.37, Yihshuh North Street,
Longjing Hsiang (TW)

* cited by examiner

(**) Term: **14 Years**

Primary Examiner—Susan J. Lucas

(74) *Attorney, Agent, or Firm*—Rosenberg, Klein & Lee

(21) Appl. No.: **29/129,951**

(22) Filed: **Sep. 26, 2000**

(57) **CLAIM**

(51) **LOC (7) Cl.** **26-05**

The ornamental design for a pendent lamp, as shown and described.

(52) **U.S. Cl.** **D26/72**

(58) **Field of Search** D26/72, 80-92,
D26/74, 67, 68; 362/147, 404-408, 367,
363

DESCRIPTION

(56) **References Cited**

FIG. 1 is a perspective view of pendent lamp showing my new design;

U.S. PATENT DOCUMENTS

FIG. 2 is a front elevation view, the rear elevation view thereof being identical in appearance;

D. 429,017 * 8/2000 De'Armond D26/72

D. 429,359 * 8/2000 Chen D26/85

FIG. 3 is a left side elevation view, the right side elevation view thereof being identical in appearance;

OTHER PUBLICATIONS

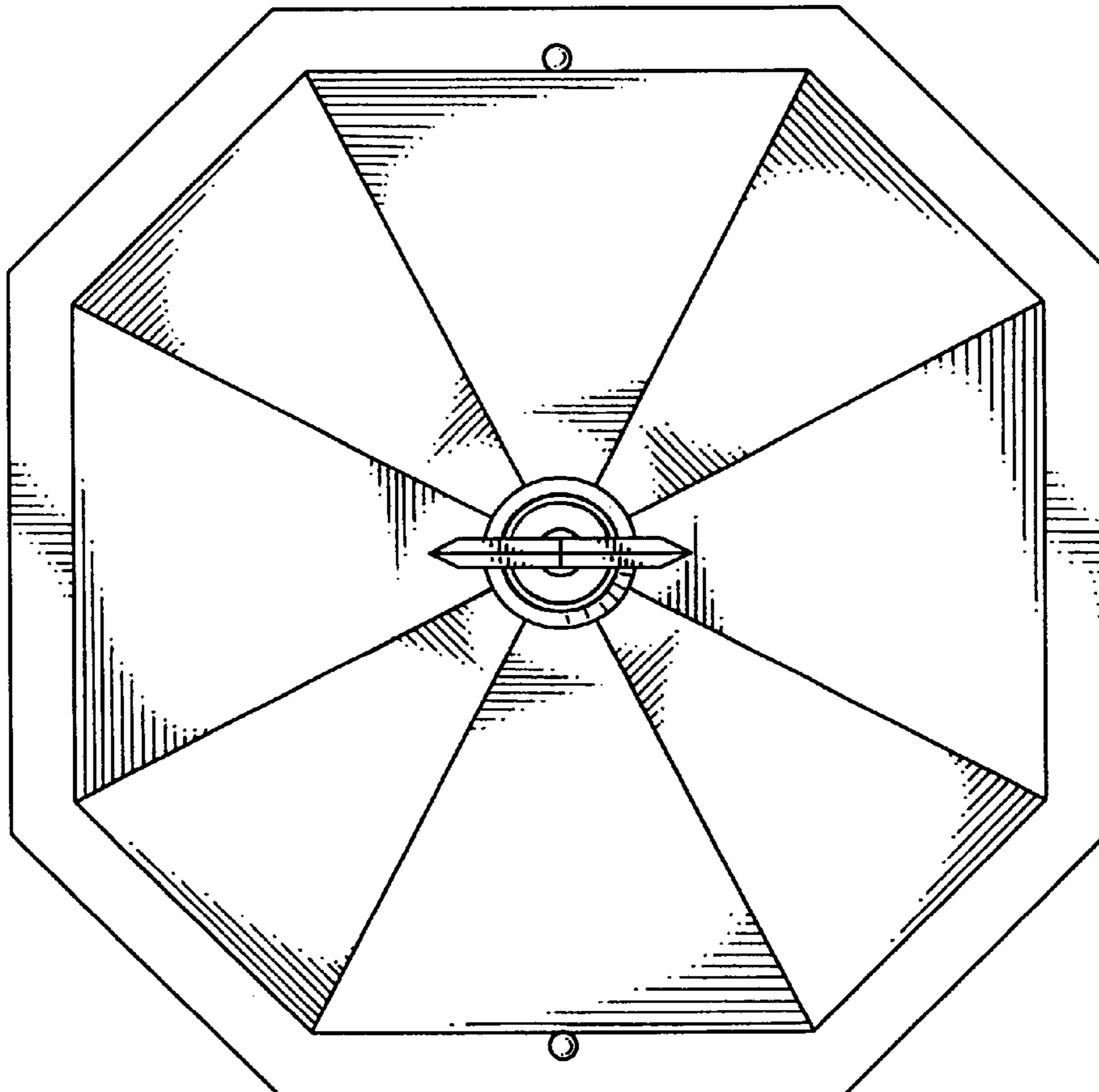
FIG. 4 is a top plan view thereof; and,

Home Lighting and Accessories, Mar. 1995, p. 44, wall lamp, top left.*

Progress lighting catalog, 1972, p. 109, suspended lantern P 3718.*

FIG. 5 is a bottom plan view thereof.

1 Claim, 4 Drawing Sheets



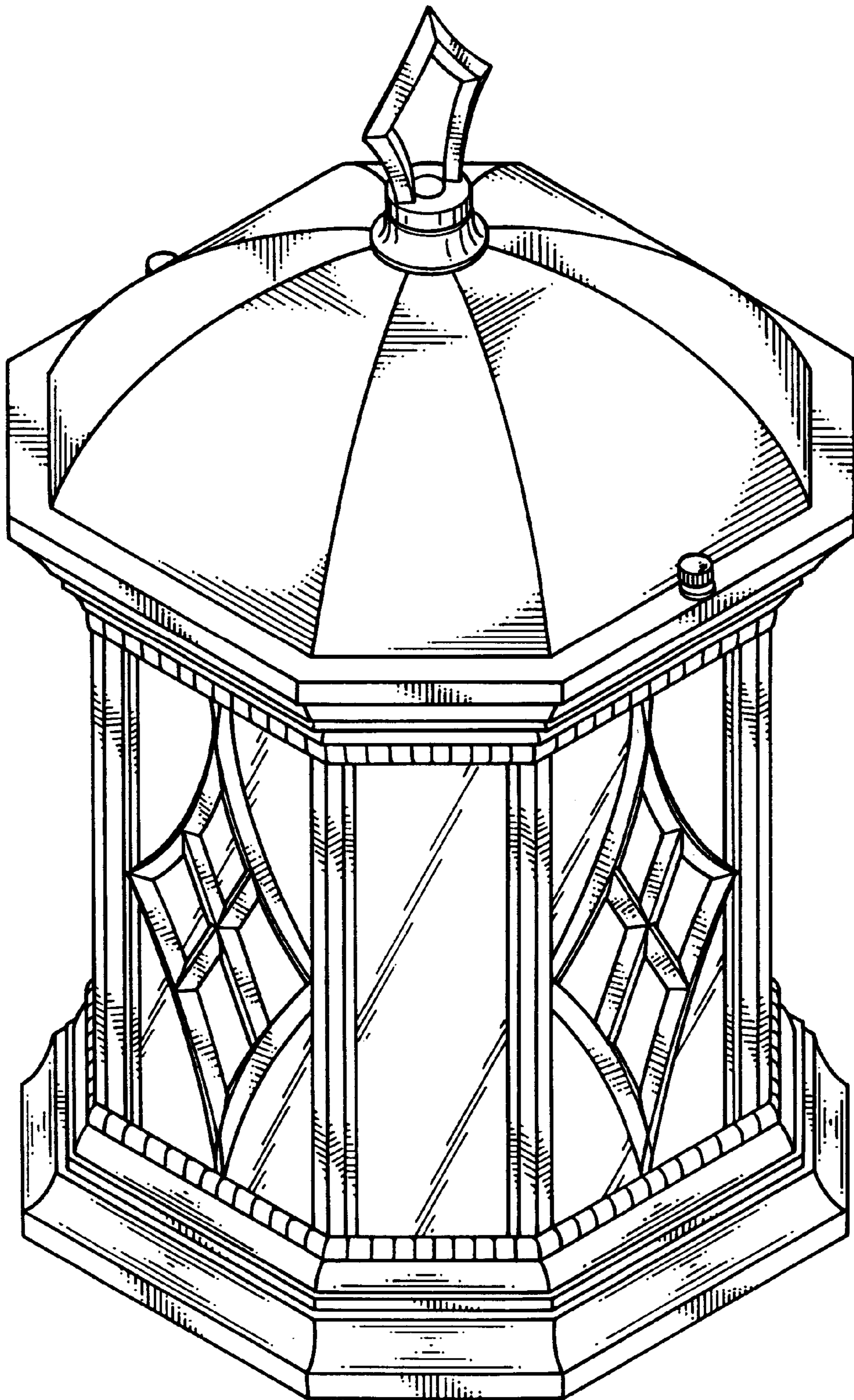


FIG. 1

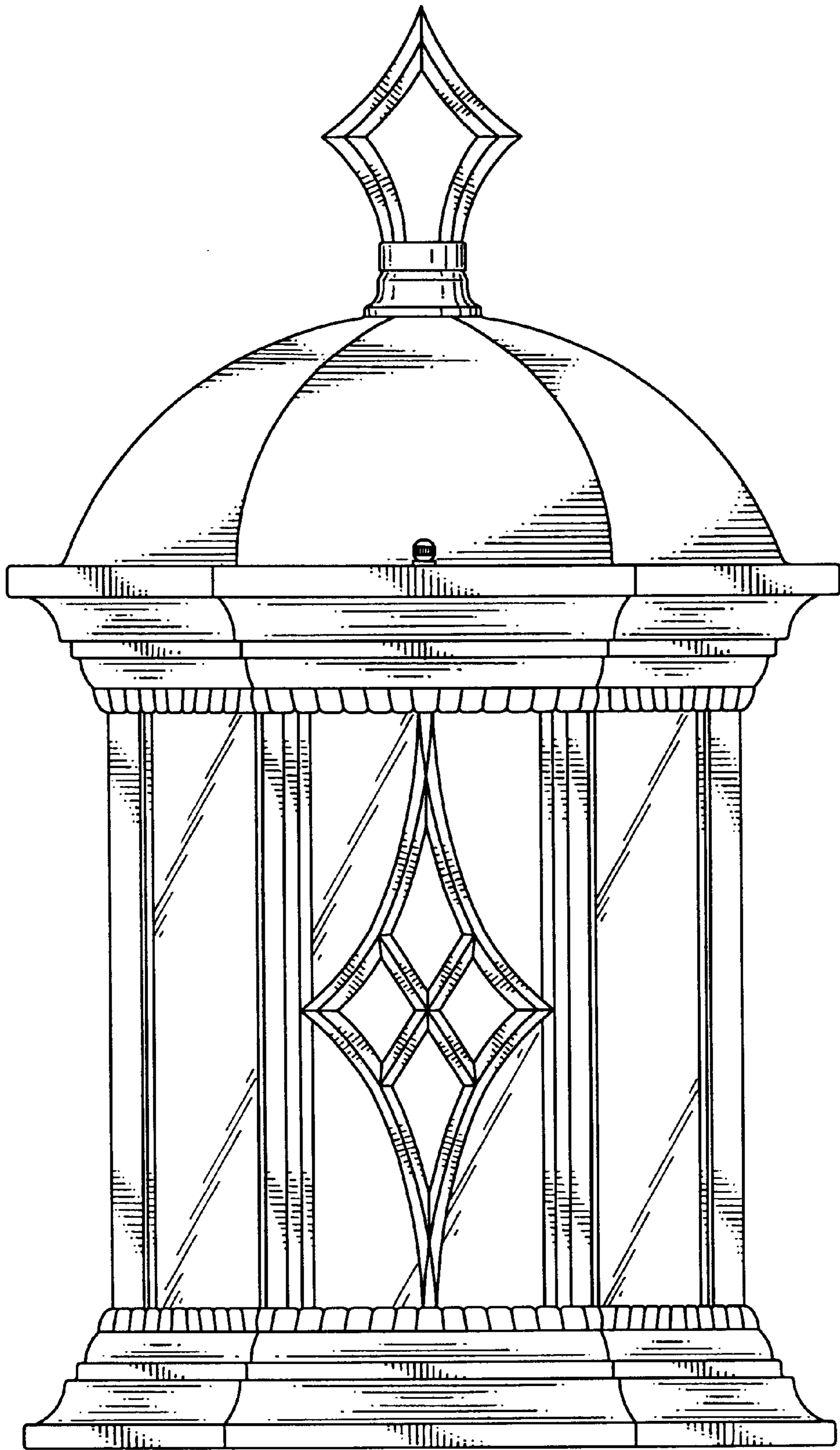


FIG. 2

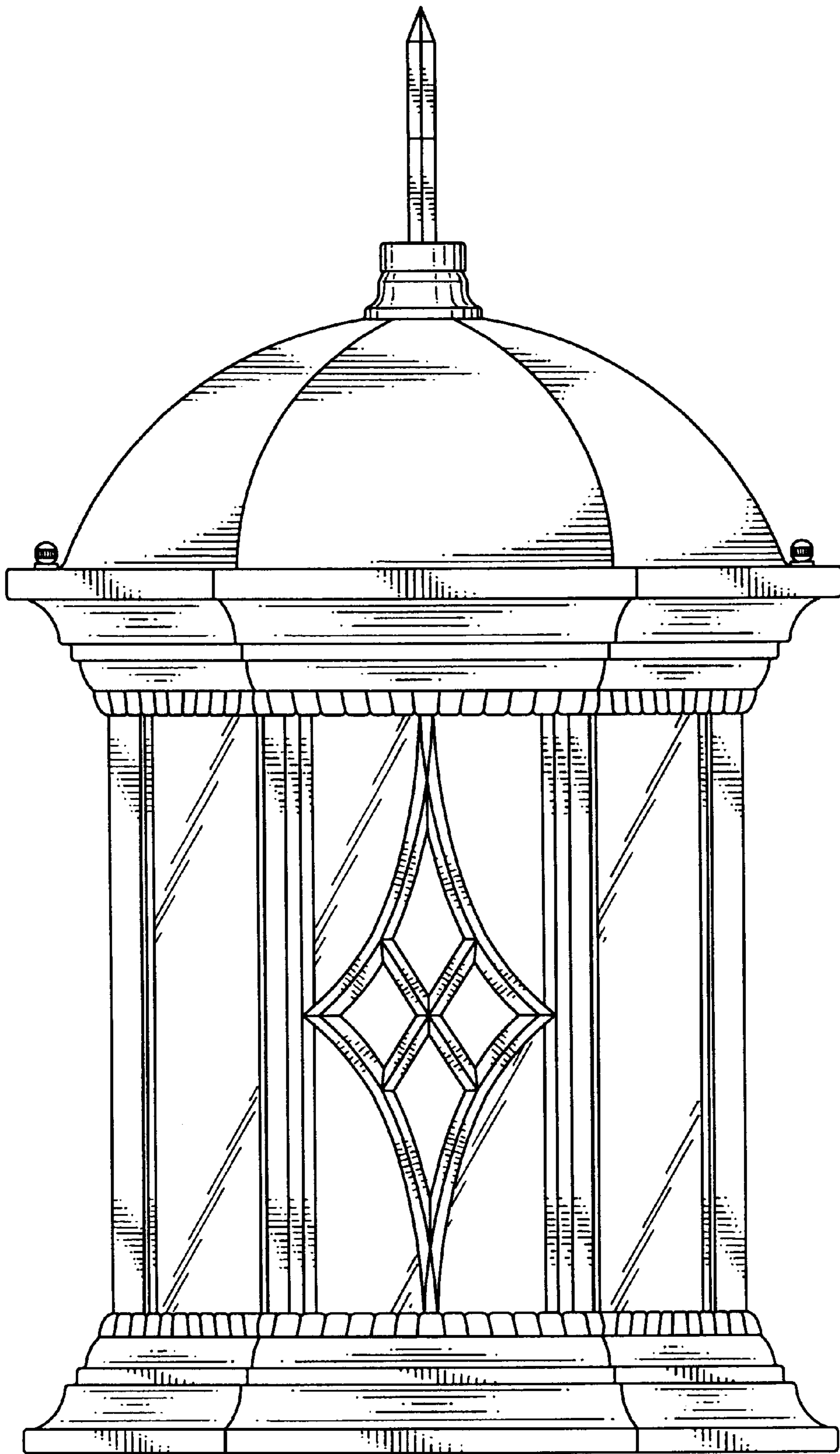


FIG. 3

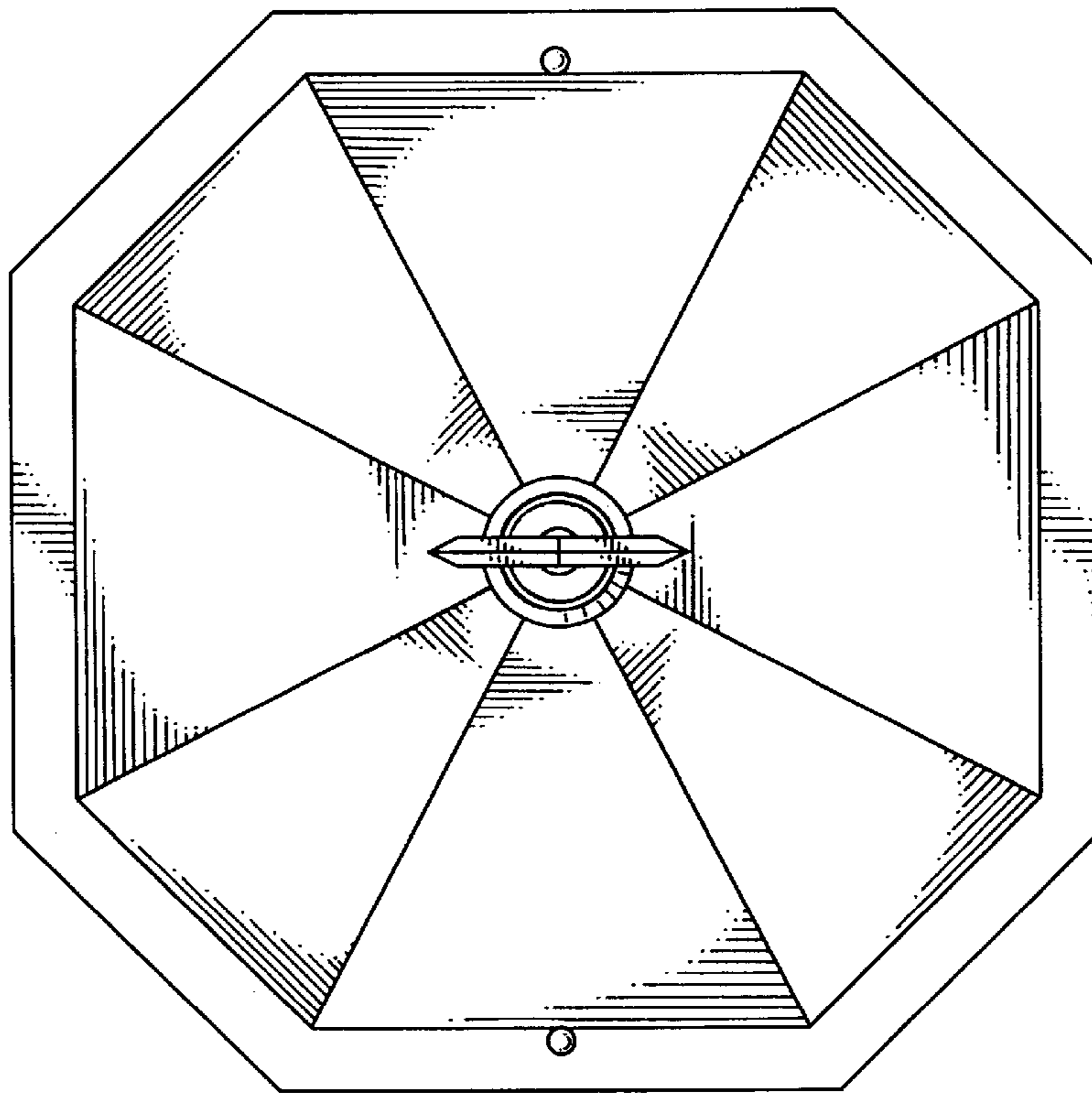


FIG. 4

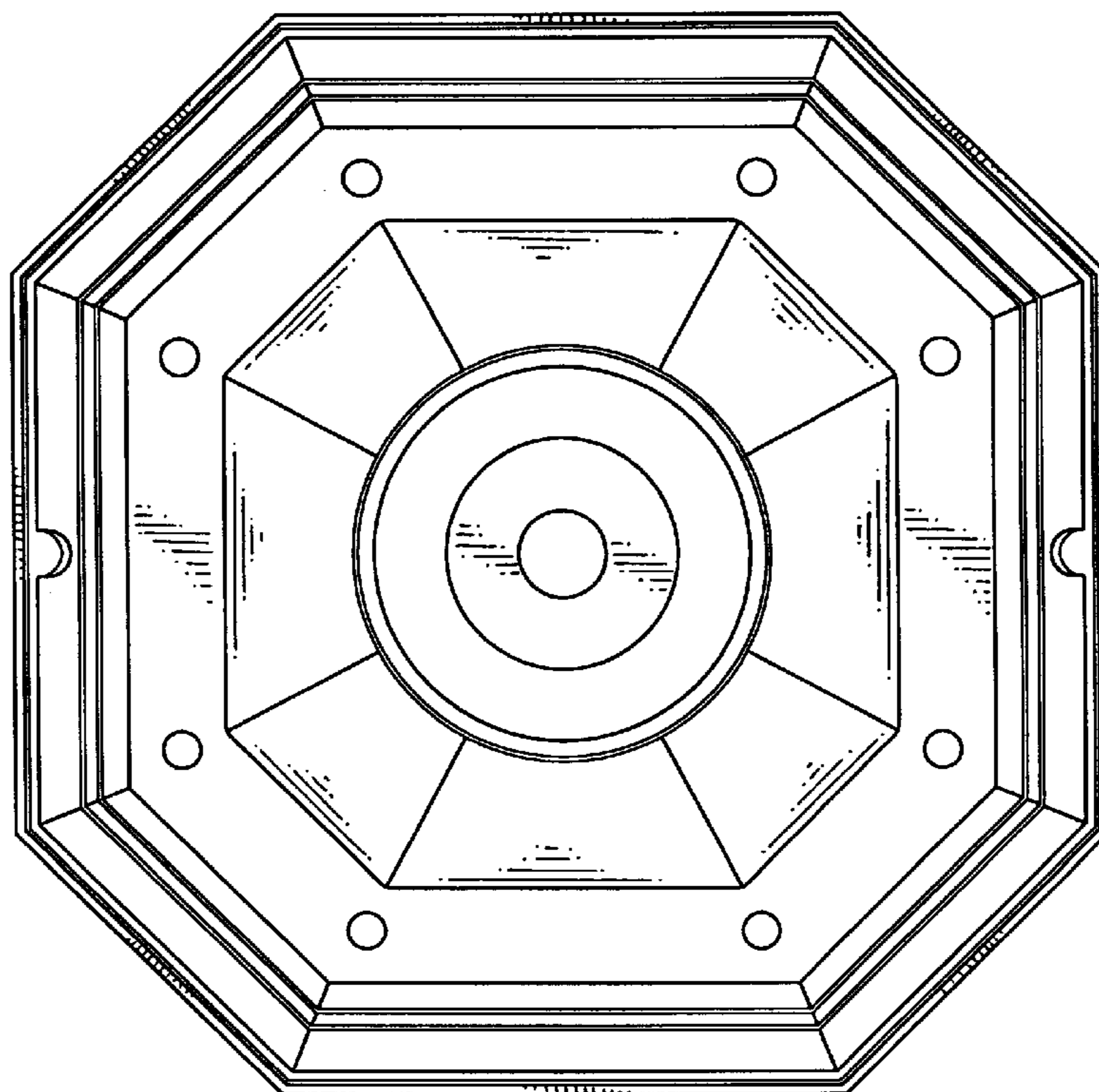


FIG. 5