



US00D442720S

(12) **United States Design Patent**
Minissi et al.

(10) **Patent No.:** **US D442,720 S**

(45) **Date of Patent:** **** May 22, 2001**

(54) **SUSPENDED LUMINAIRE**

(75) Inventors: **Paolo E. Minissi; Mark P. Boomgaarden**, both of Austin, TX (US)

(73) Assignee: **NSI Enterprises, Inc.**, Newark, OH (US)

(**) Term: **14 Years**

(21) Appl. No.: **29/127,437**

(22) Filed: **Aug. 4, 2000**

Related U.S. Application Data

(62) Division of application No. 29/099,702, filed on Jan. 27, 1999, now Pat. No. Des. 435,134.

(51) **LOC (7) Cl.** **26-05**

(52) **U.S. Cl.** **D26/72**

(58) **Field of Search** D26/72, 85-91,
D26/118; 362/404-408, 147, 307, 310,
341, 346, 347, 349, 350, 353, 348; D25/117,
118

(56) **References Cited**

U.S. PATENT DOCUMENTS

D. 139,444 * 11/1944 Lippincott D26/88

D. 405,210 * 2/1999 Elgeston D26/88
5,535,110 * 7/1996 Ling 362/346 X
5,993,028 * 11/1999 Ong 362/310

OTHER PUBLICATIONS

Harrington & King Perforating Co. Inc., May 1961, p. 108, rectangular slots.*

Harrington & King Perforating Co. Inc., May 1961, p. 118, triangular and round openings.*

* cited by examiner

Primary Examiner—Susan J. Lucas

(57) **CLAIM**

The ornamental design for a suspended luminaire, as shown and described.

DESCRIPTION

FIG. 1 is a perspective view of the new design;
FIG. 2 is a side elevational view of the new design;
FIG. 3 is a top plan view of the new design; and,
FIG. 4 is a bottom plan view of the of the new design.
The broken lines are shown for illustrative purposes only and form no part of the claimed design.

1 Claim, 3 Drawing Sheets

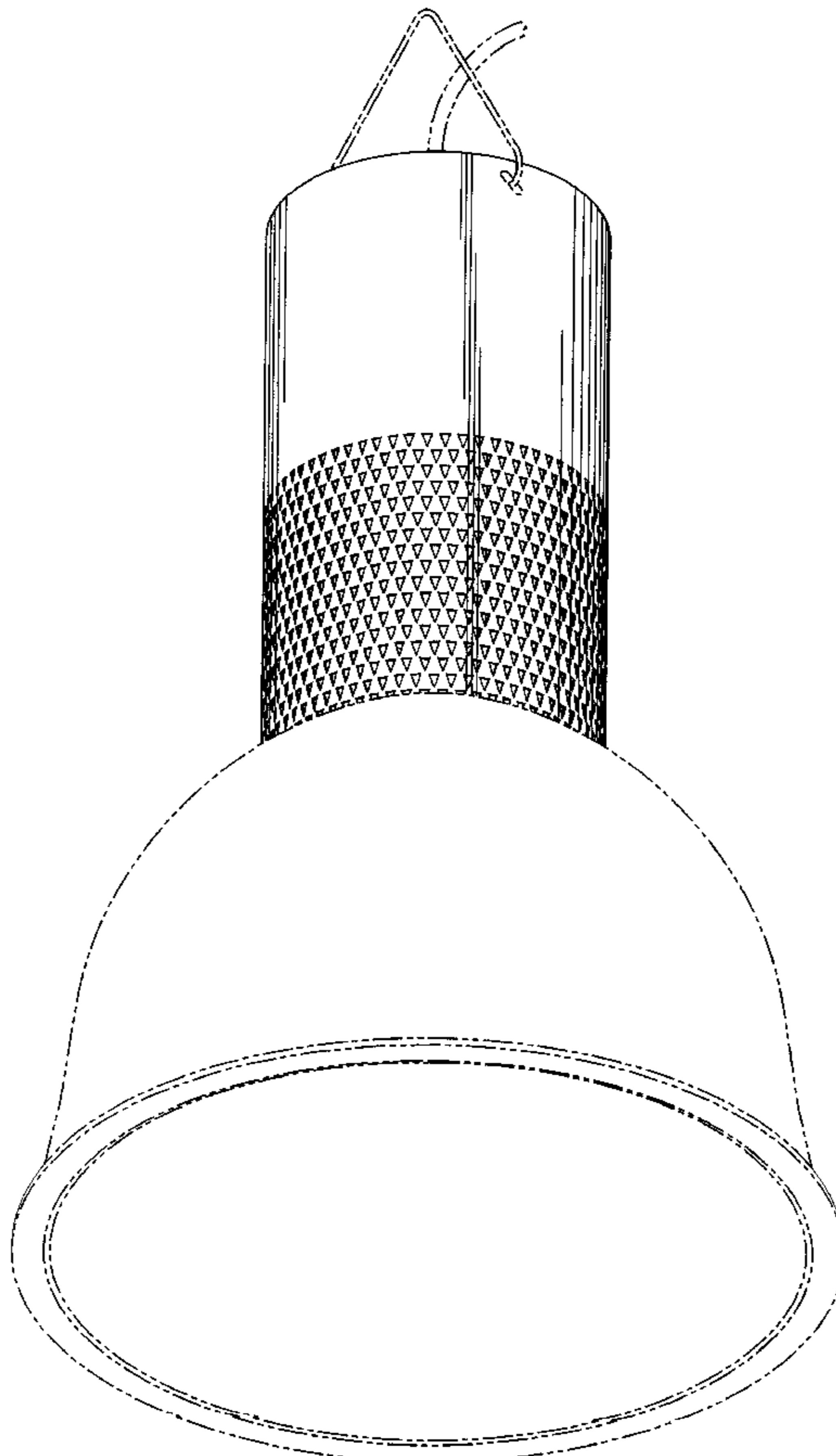
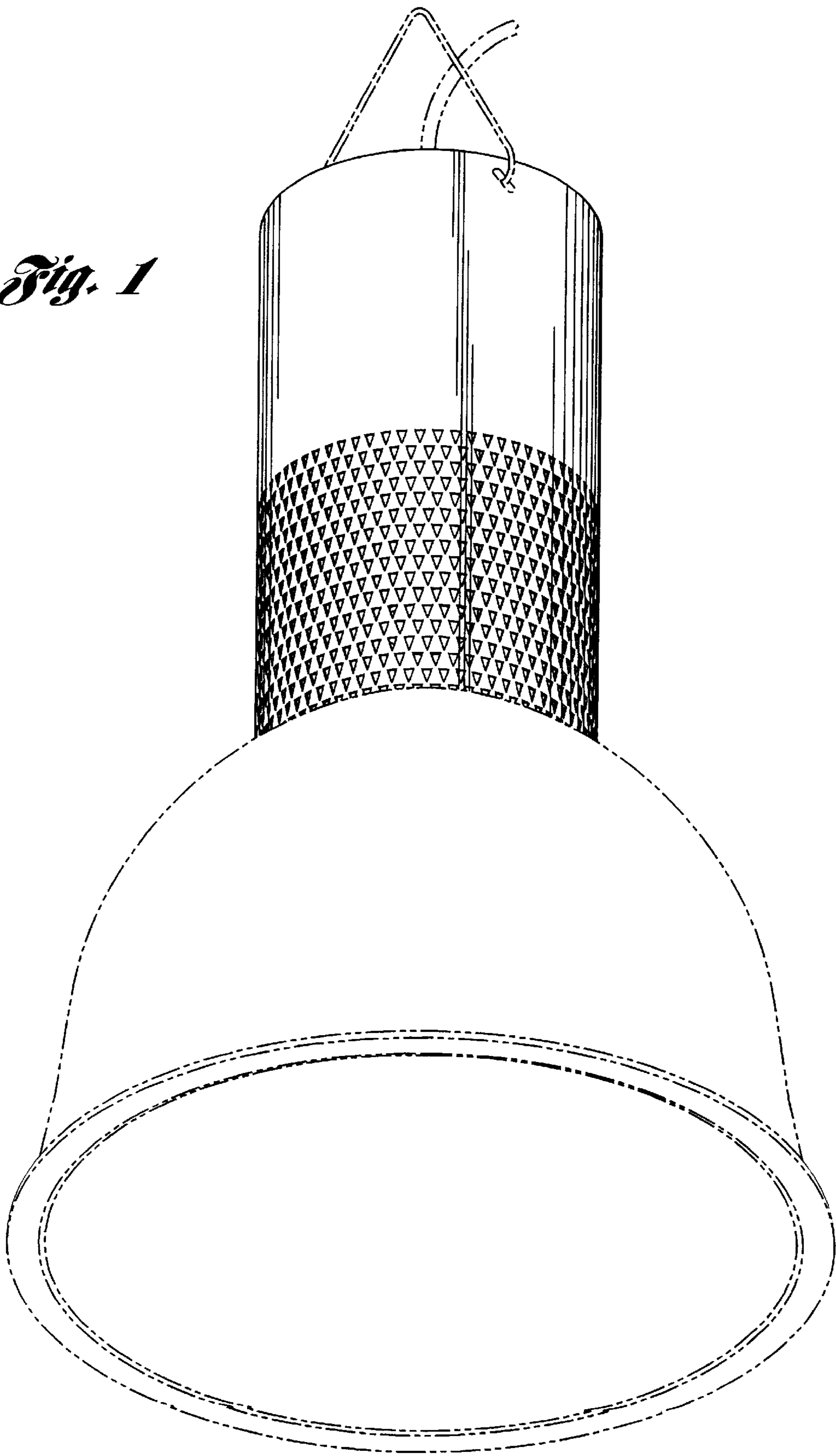


Fig. 1



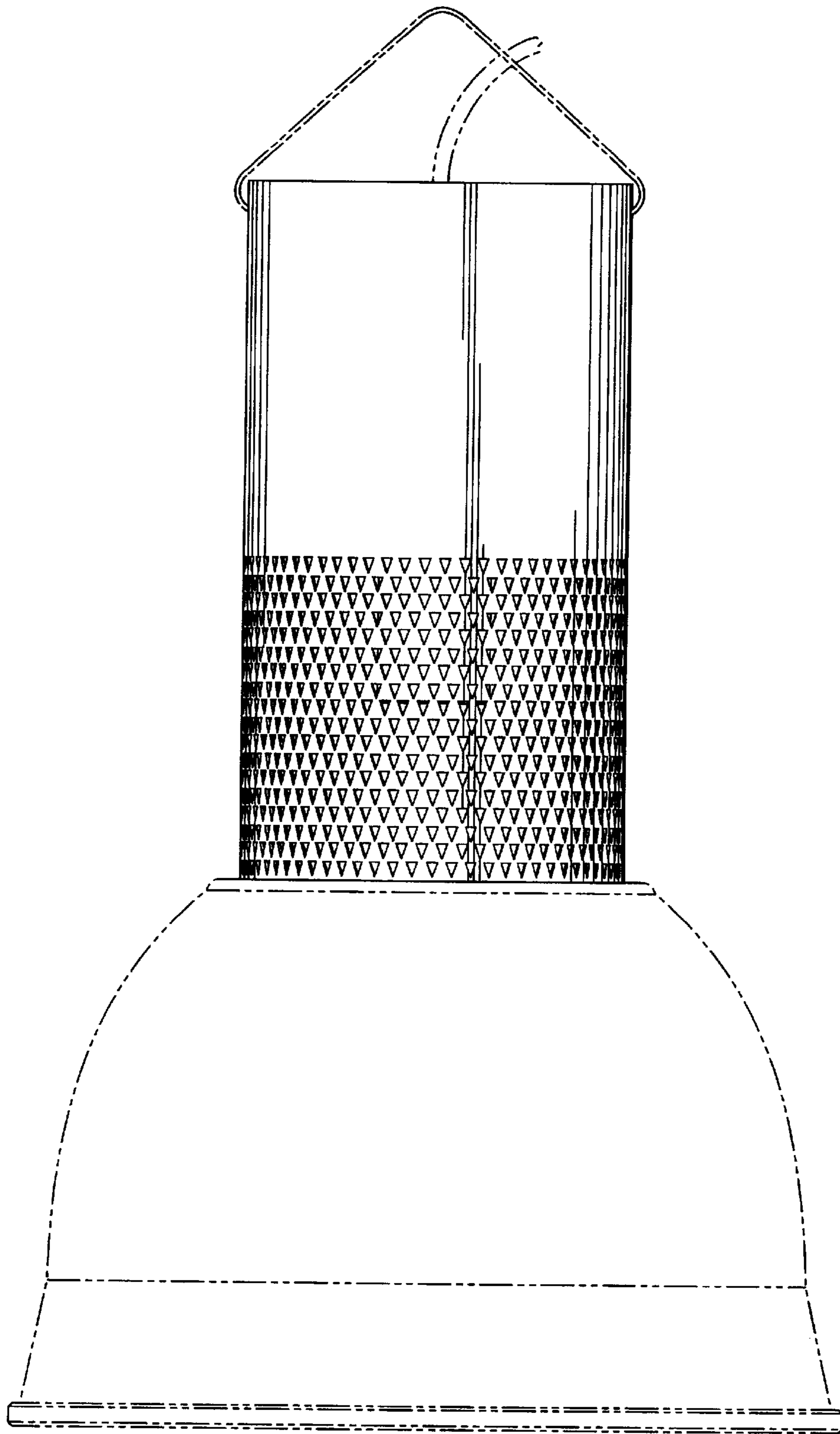


Fig. 2

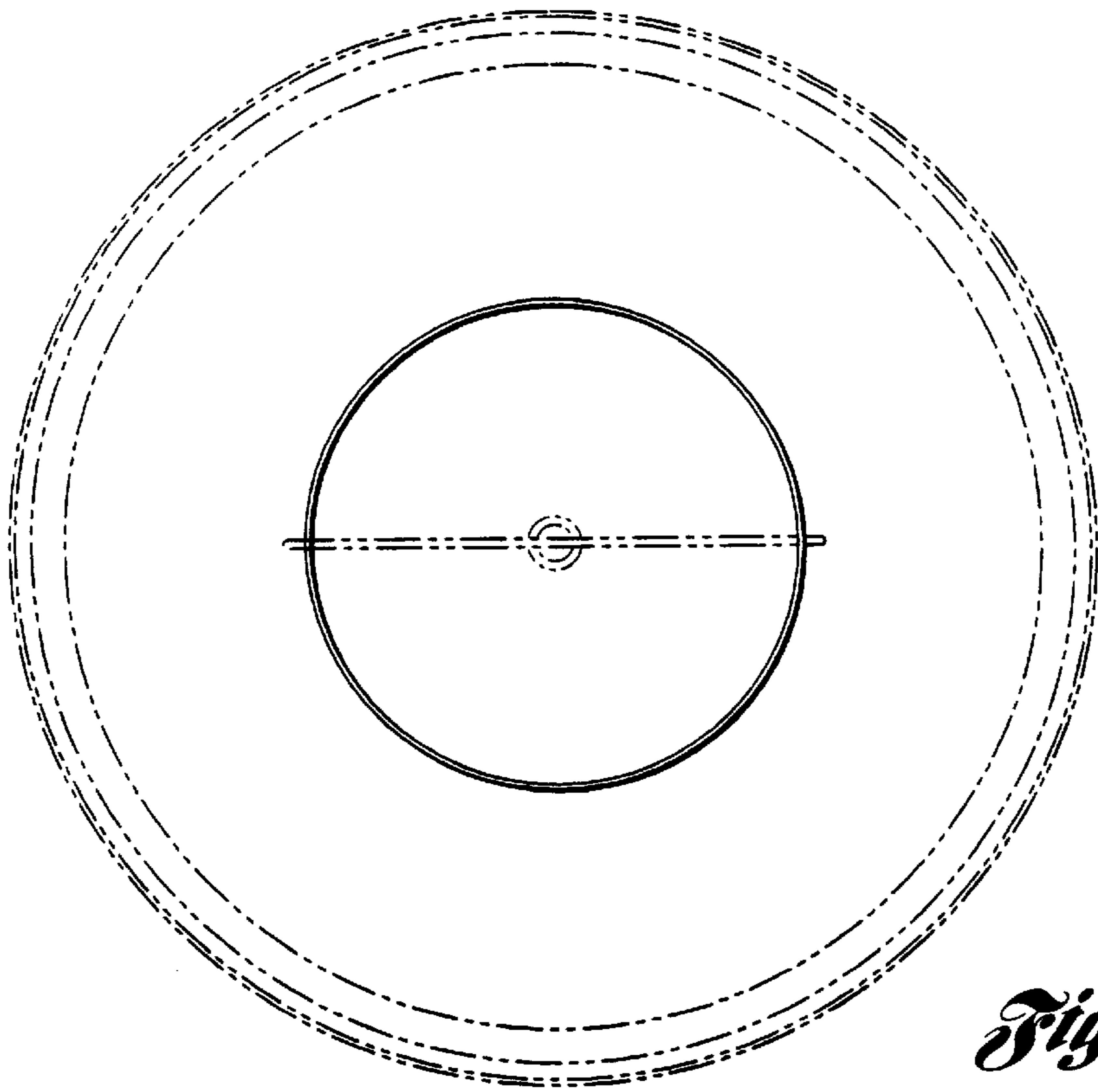


Fig. 3

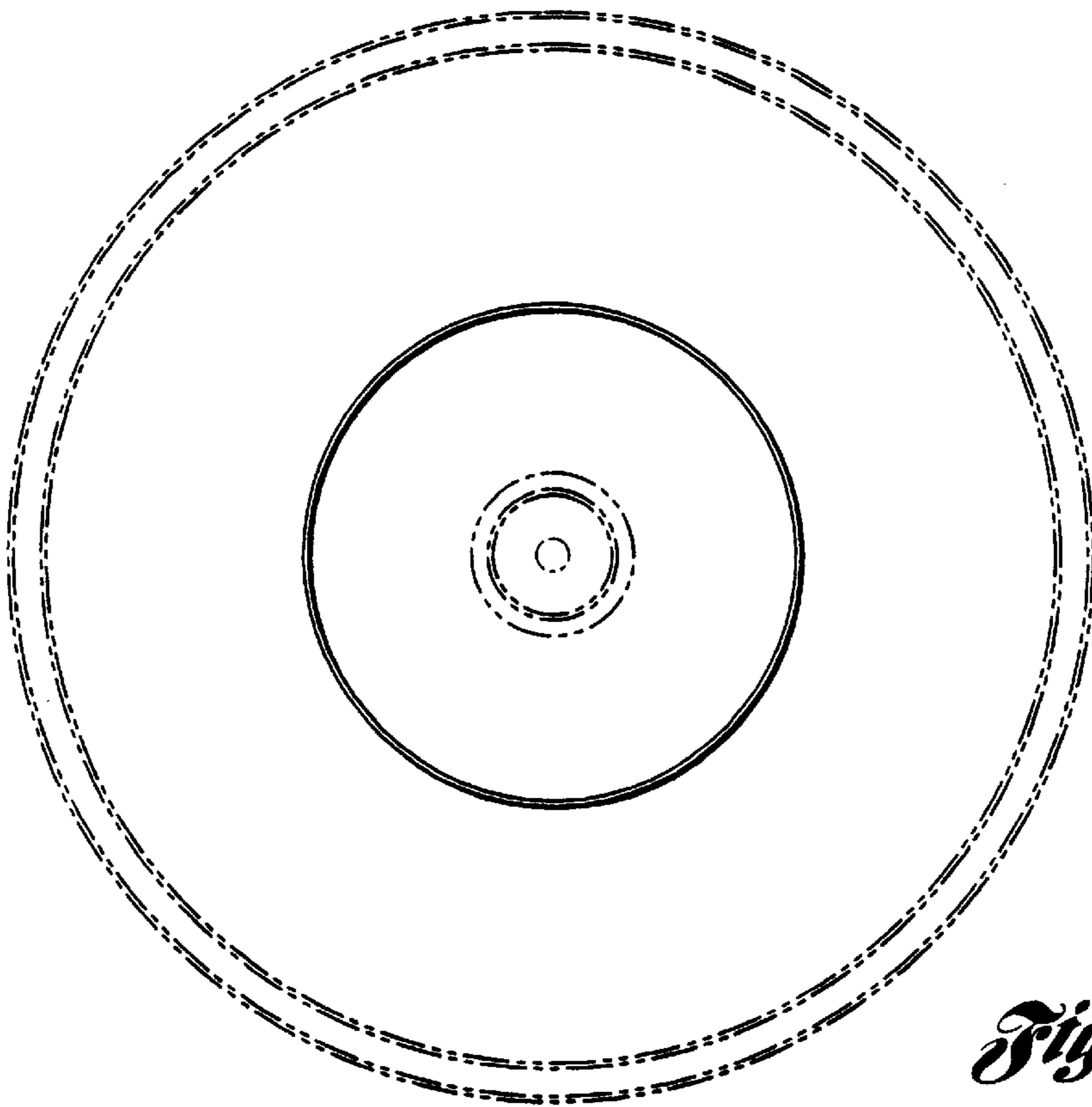


Fig. 4